



US00D956104S

(12) **United States Design Patent**
Jenvey

(10) **Patent No.:** **US D956,104 S**

(45) **Date of Patent:** **** Jun. 28, 2022**

(54) **VALVE FOR ENGINES**

(71) Applicant: **Jenvey Dynamics Limited**, Bridgnorth (GB)

(72) Inventor: **Michael Richard Jenvey**, Bridgnorth (GB)

(**) Term: **15 Years**

(21) Appl. No.: **35/512,019**

(22) Filed: **Feb. 15, 2021**

(80) **Hague Agreement Data**

Int. Filing Date: **Feb. 15, 2021**
Int. Reg. No.: **DM/214611**
Int. Reg. Date: **Feb. 15, 2021**
Int. Reg. Pub. Date: **Jun. 18, 2021**

(51) **LOC (13) Cl.** **15-01**

(52) **U.S. Cl.**
USPC **D15/5**

(58) **Field of Classification Search**
USPC D15/1, 2, 3, 4, 5
CPC F02F 1/36; F02F 1/243; F02M 26/65
See application file for complete search history.

(56) **References Cited**

U.S. PATENT DOCUMENTS

D31,411 S *	8/1899	Mayhew	D15/5
D31,412 S *	8/1899	Mayhew	D15/5
D222,598 S *	11/1971	Weiland	D15/5
D364,626 S *	11/1995	Brown	D15/5
D372,250 S *	7/1996	Otsuka	D15/5
D392,648 S *	3/1998	Karlsson	D15/5
D444,479 S *	7/2001	Pace	D15/5
D533,194 S *	12/2006	Cimbura	D15/5
D608,372 S *	1/2010	Brace	D15/5
D608,795 S *	1/2010	Brace	D15/5
D654,094 S *	2/2012	Dralle	D15/5

D700,288 S *	2/2014	Santos	D23/249
D709,099 S *	7/2014	Finnie	D15/5
D731,556 S *	6/2015	Kasajima	D15/5
D765,143 S *	8/2016	VanderMeulen	D15/5
D779,559 S *	2/2017	Micken	D15/5
D779,560 S *	2/2017	Fox	D15/5
D779,561 S *	2/2017	Fox	D15/5
D794,681 S *	8/2017	Newman	D15/5
D794,682 S *	8/2017	Newman	D15/5
D802,628 S *	11/2017	Fischetto	D15/5
D810,142 S *	2/2018	Shehan	D15/5
D812,644 S *	3/2018	Tomlinson	D15/5
D818,503 S *	5/2018	Tomlinson	D15/5
D819,083 S *	5/2018	Fisher	D15/5
D823,897 S *	7/2018	Tomlinson	D15/5
D863,361 S *	10/2019	VerSchave	D15/5
D894,239 S *	8/2020	Coates	D15/5
D921,699 S *	6/2021	Pumphrey	D15/5

* cited by examiner

Primary Examiner — Mojtaba Tehrani

(57) **CLAIM**

The ornamental design for a valve for engines, as shown and described.

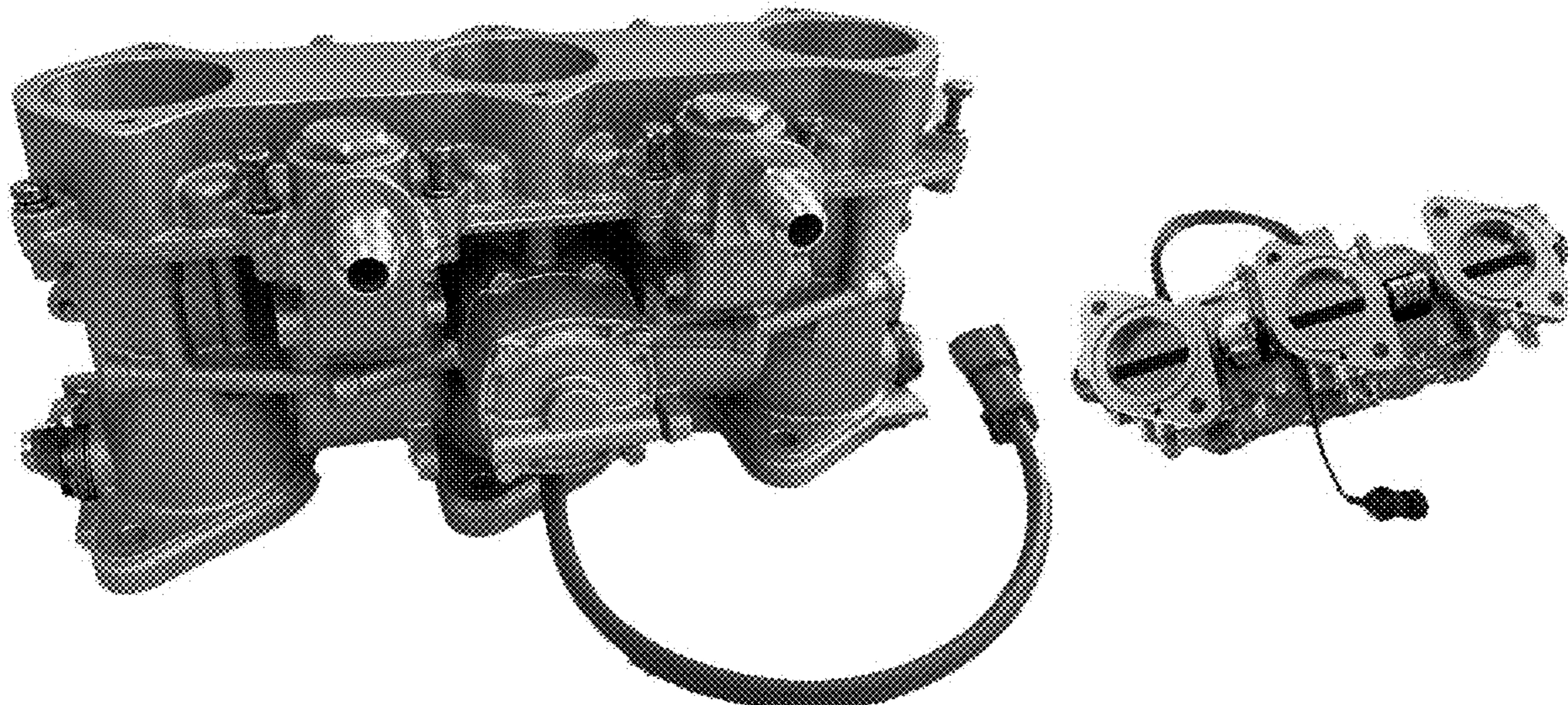
DESCRIPTION

The patent or application file contains at least one drawing executed in color. Copies of this patent or patent application publication with color drawing(s) will be provided by the Office upon request and payment of the necessary fee.

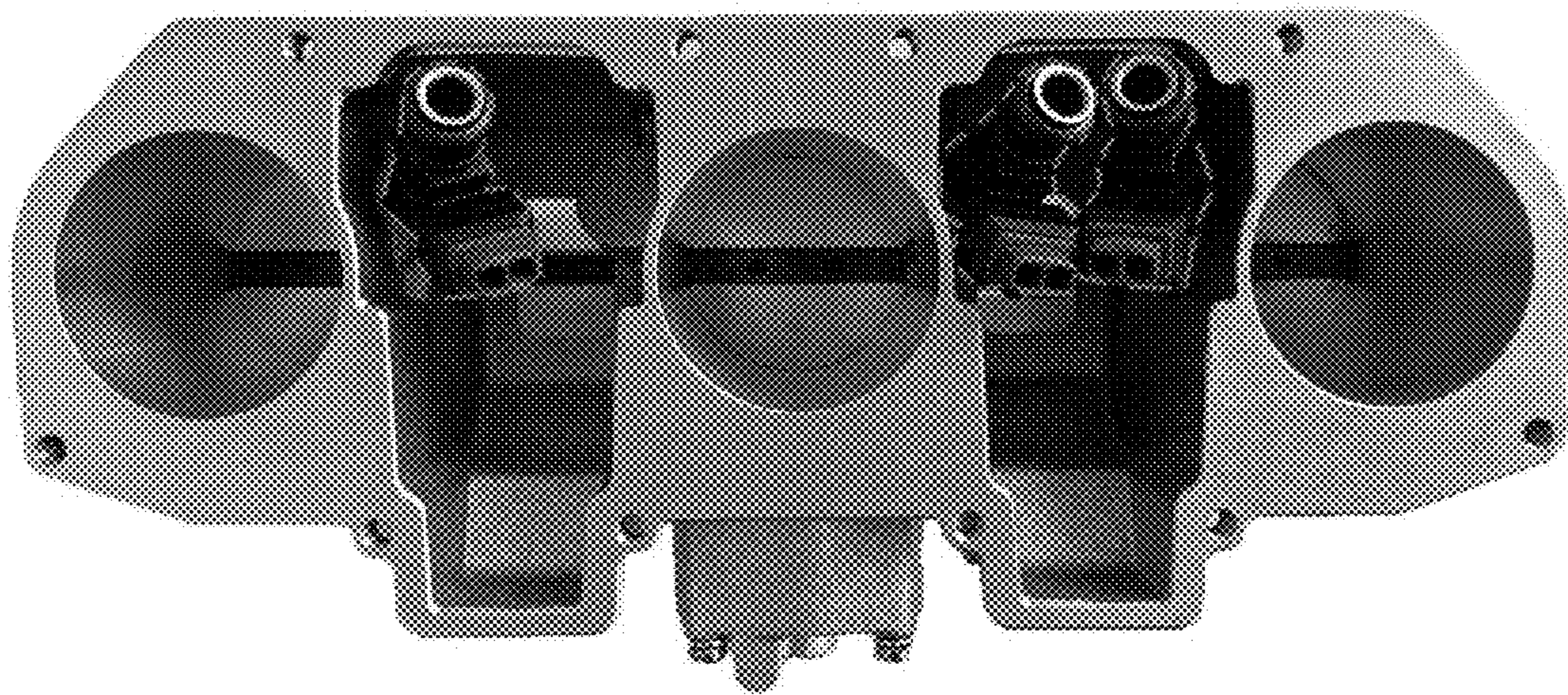
- 1. Valve for engines
- 1.1 : bottom view;
- 1.2 : perspective view.
- 1.3 : perspective view.
- 1.4 : top view.

In reproduction 1.1 the dotted lines and elements encompassed by the dotted lines do not form part of the claimed design.

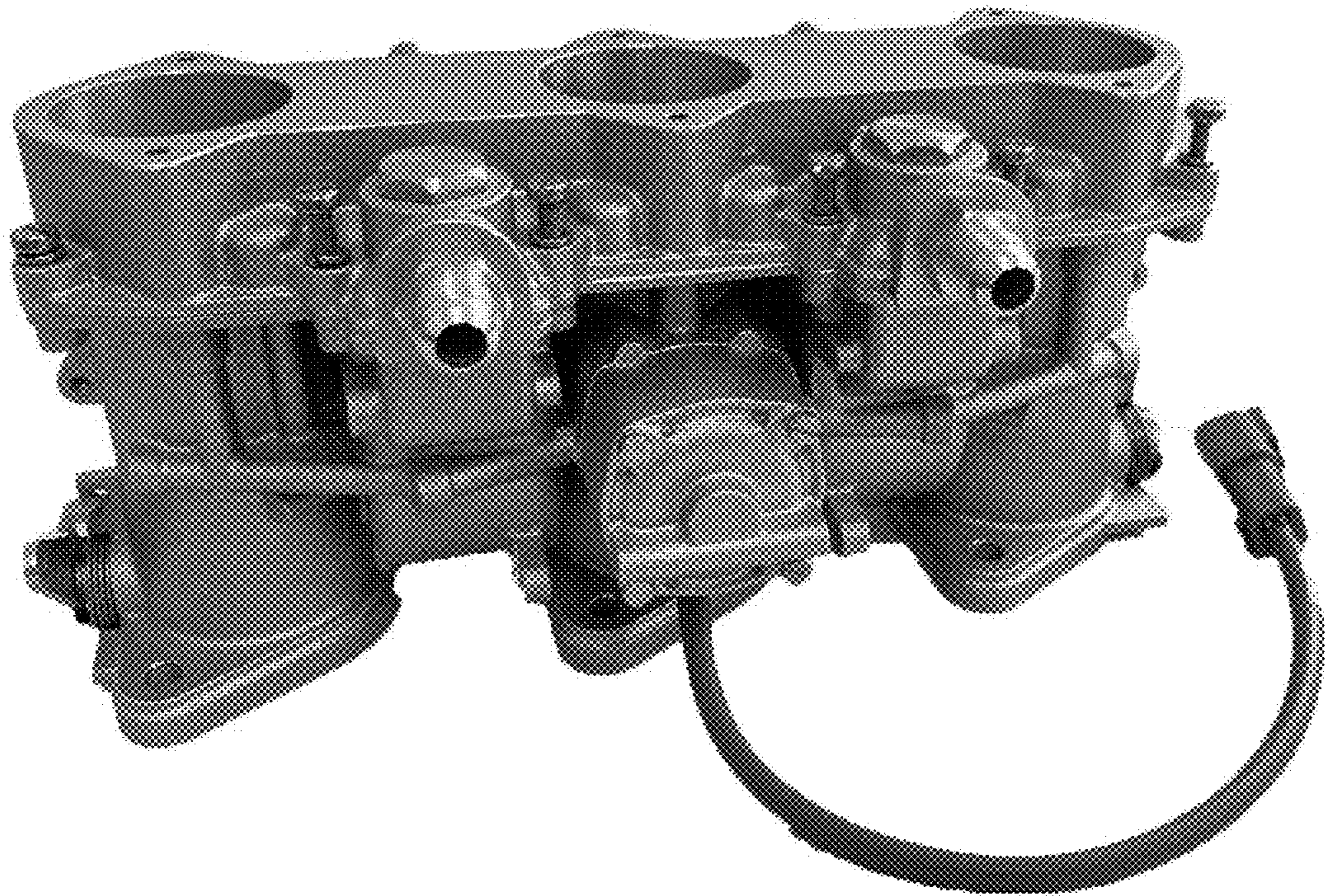
1 Claim, 4 Drawing Sheets
(4 of 4 Drawing Sheet(s) Filed in Color)



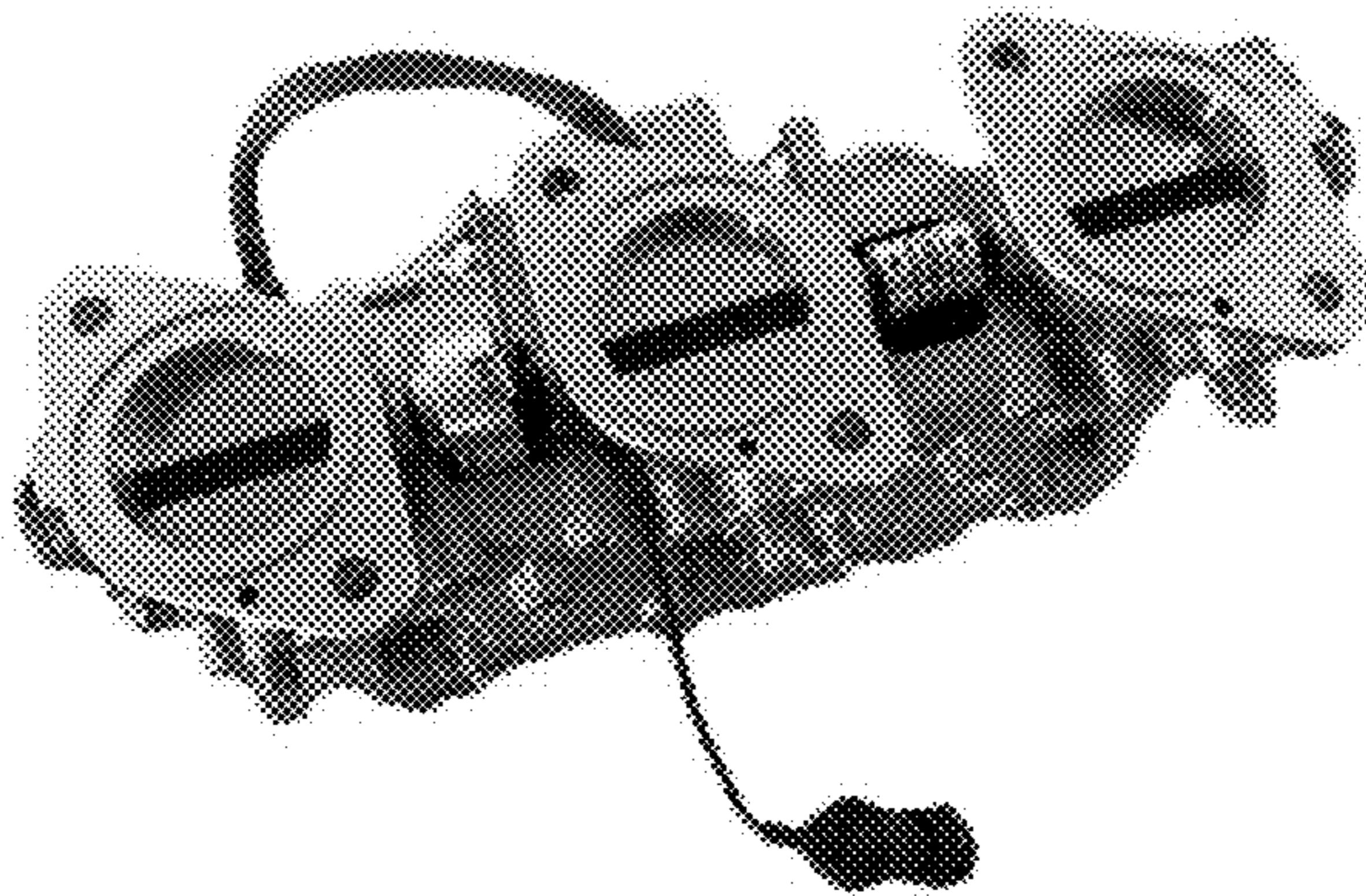
1.1



1.2



1.3



1.4

