



US00D956103S

(12) **United States Design Patent** (10) **Patent No.:** **US D956,103 S**  
**He** (45) **Date of Patent:** **\*\* \*Jun. 28, 2022**

(54) **MINI DISC PLAYER**

(71) Applicant: **Foshan Shunde Maite Electronic Manufacturing Company Limited**,  
Foshan (CN)

(72) Inventor: **Jianwei He**, Foshan (CN)

(\* ) Notice: This patent is subject to a terminal disclaimer.

(\*\*) Term: **15 Years**

(21) Appl. No.: **29/772,248**

(22) Filed: **Mar. 1, 2021**

(51) **LOC (13) Cl.** ..... **14-03**

(52) **U.S. Cl.**  
USPC ..... **D14/507**

(58) **Field of Classification Search**  
USPC .... D14/168–172, 188, 192, 193, 197, 203.1,  
D14/203.3–203.5, 204, 356, 363, 365,  
D14/367, 478, 479, 480.1, 480.5, 496,  
D14/498–507  
CPC ..... G11B 19/16; G11B 19/2009; G11B 17/04;  
G11B 17/022; G11B 17/043; G11B  
15/00; G11B 15/02; B60R 11/02; B60R  
11/0211; B60R 11/0252

See application file for complete search history.

(56) **References Cited**

**U.S. PATENT DOCUMENTS**

D341,591 S	*	11/1993	Nakamura	.....	D14/507
D350,957 S	*	9/1994	Sakata	.....	D14/507
D354,957 S	*	1/1995	Wada	.....	D14/507
D374,871 S	*	10/1996	Taniguchi	.....	D14/507
D385,879 S	*	11/1997	Isonaga	.....	D14/507
D519,962 S	*	5/2006	Kim	.....	D14/506
D520,480 S	*	5/2006	Kwon	.....	D14/502
D520,975 S	*	5/2006	Kim	.....	D14/502
D524,269 S	*	7/2006	Kang	.....	D14/502
D524,775 S	*	7/2006	Liu	.....	D14/505
D576,581 S	*	9/2008	Son	.....	D14/502
D576,978 S	*	9/2008	Kawasaki	.....	D14/498

D582,868 S	*	12/2008	Tejima	.....	D14/501
D613,308 S	*	4/2010	Cho	.....	D14/502
D613,309 S	*	4/2010	Cho	.....	D14/502
D623,196 S	*	9/2010	Yagi	.....	D14/505
D647,922 S	*	11/2011	Cho	.....	D14/500
D680,553 S		4/2013	Wang et al.		

(Continued)

**FOREIGN PATENT DOCUMENTS**

CN		305868597	*	6/2020
EM		007694237-0002	*	2/2020

**OTHER PUBLICATIONS**

Ubuy Co. "Super Mini DVD Player for TV" (online) earliest review date Jul. 27, 2021. Ret. from Internet on Sep. 28, 2021, URL: <https://www.u-buy.com.tw/en/product/1GQAUXWSO-super-mini-region-free-dvd-player-with-hdmi-av-output-hd-1080p-small-dvd-player-includes-hdmi-av-cable-remote-control-support-usb-input> (2 pgs.).\*

*Primary Examiner* — Wendy L Arminio

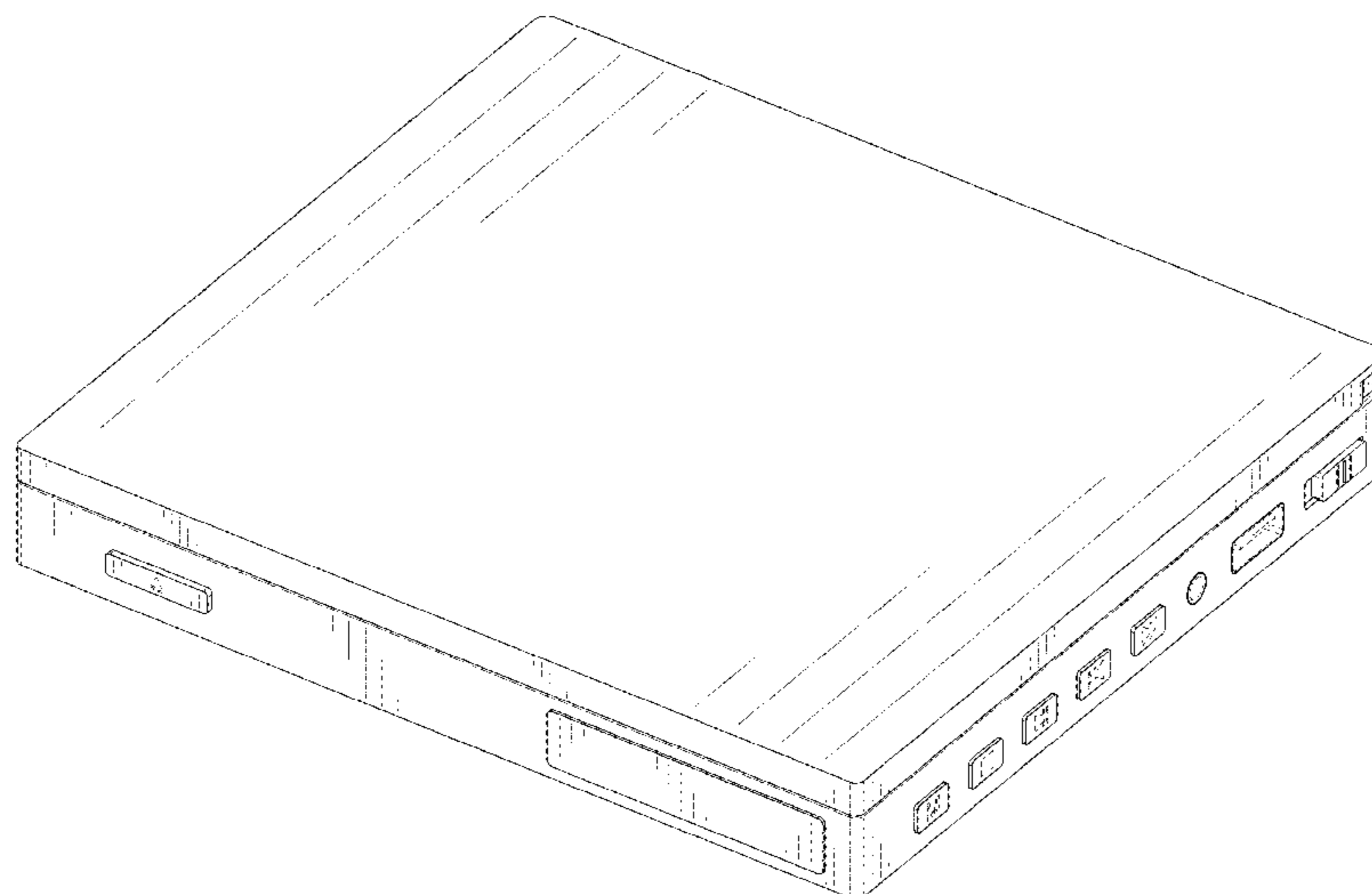
(57) **CLAIM**

The ornamental design for a mini disc player, as shown and described.

**DESCRIPTION**

FIG. 1 is a front and top perspective view of a mini disc player, showing my new design;  
FIG. 2 is a rear and bottom perspective view thereof;  
FIG. 3 is a front elevation view thereof;  
FIG. 4 is a rear elevation view thereof;  
FIG. 5 is a left side elevation view thereof;  
FIG. 6 is a right side elevation view thereof;  
FIG. 7 is a top plan view thereof;  
FIG. 8 is a bottom plan view thereof; and,  
FIG. 9 is another perspective view thereof, shown in an alternative position.  
The broken lines in the figures illustrate portions of the mini disc player that form no part of the claimed design.

**1 Claim, 9 Drawing Sheets**



(56)

**References Cited**

U.S. PATENT DOCUMENTS

D751,607 S \* 3/2016 Onoue ..... D14/502  
D905,113 S \* 12/2020 Pan ..... D14/507

\* cited by examiner

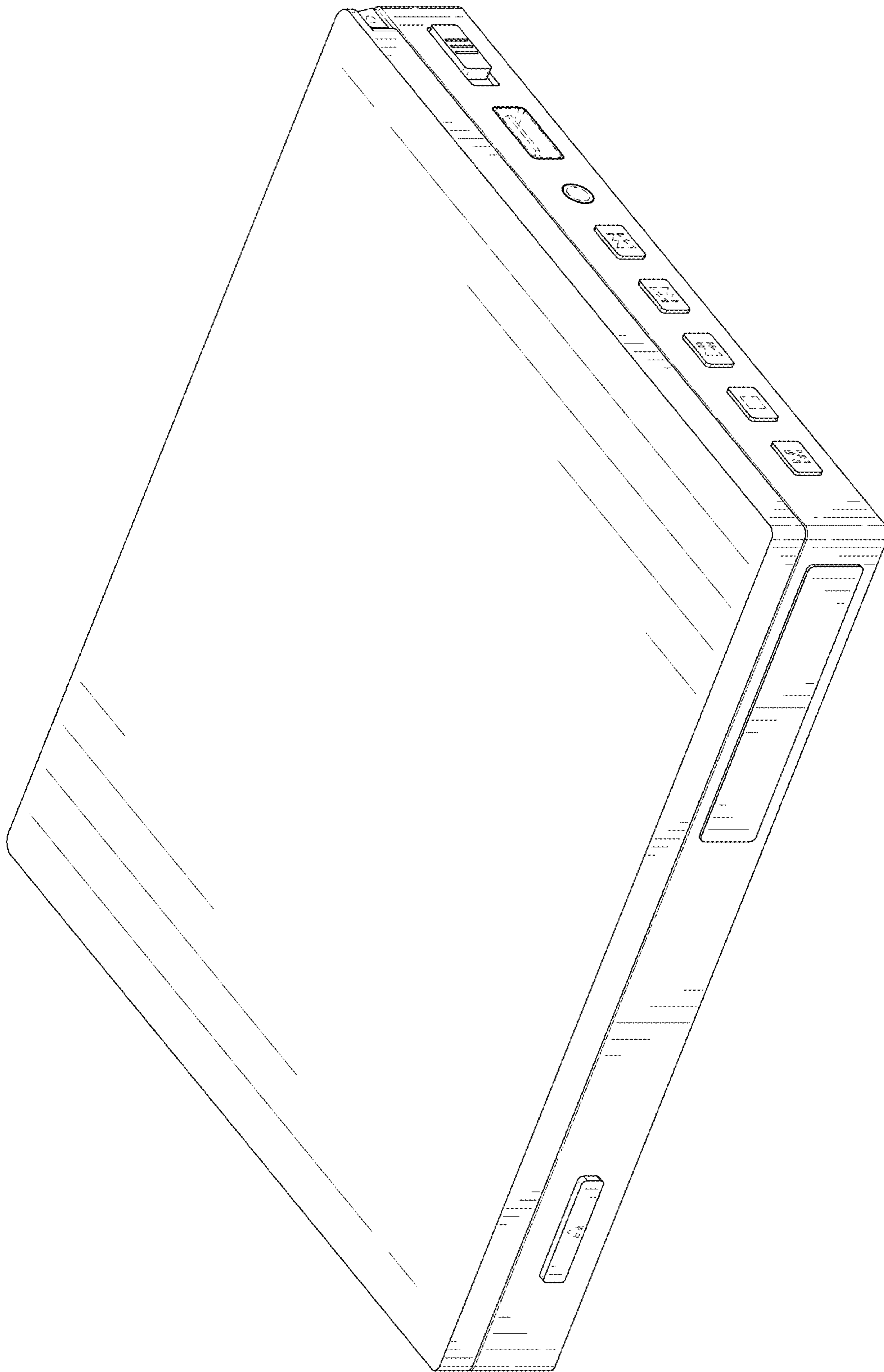


FIG. 1

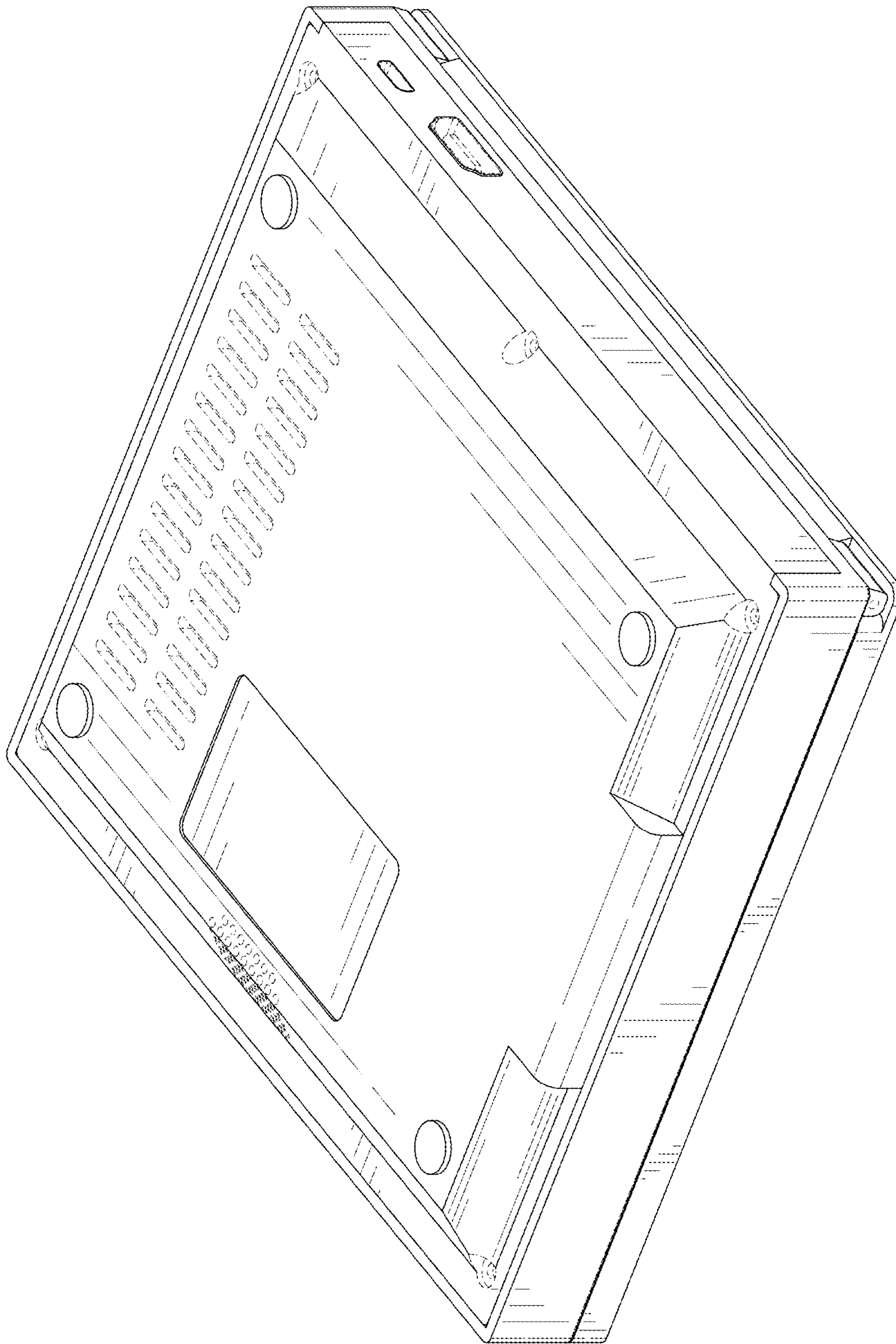


FIG. 2

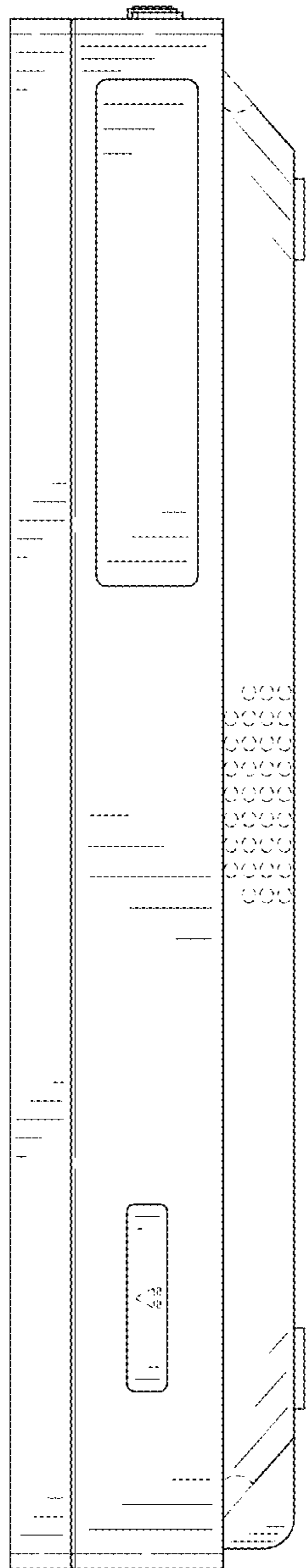


FIG. 3

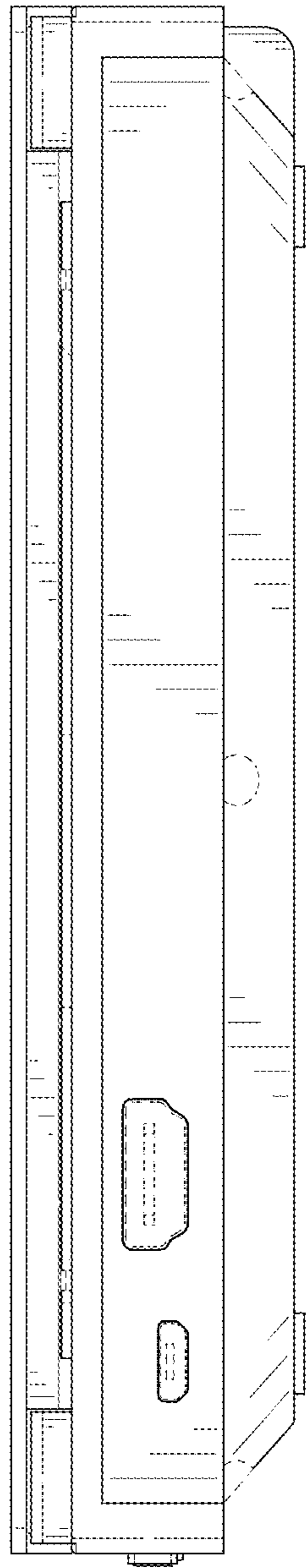


FIG. 4

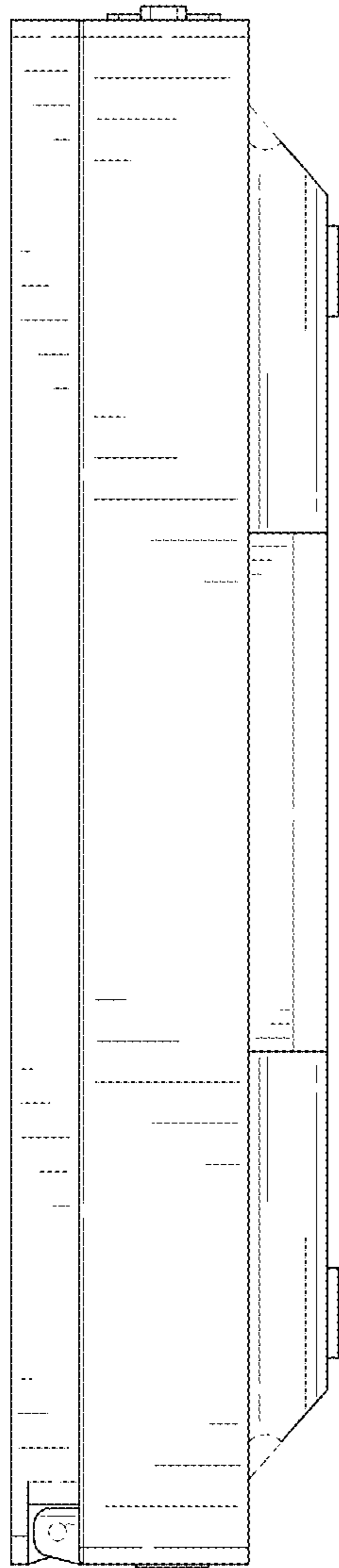


FIG. 5

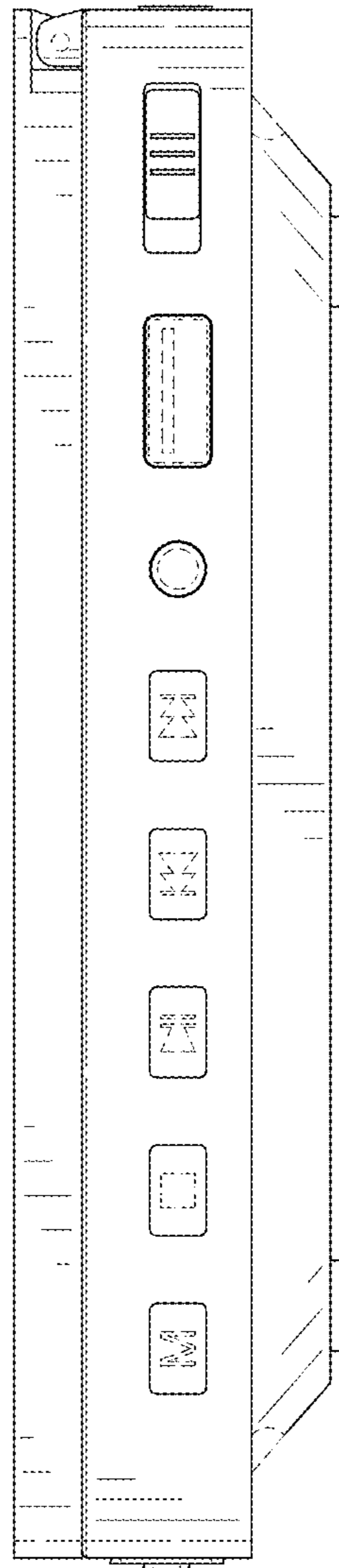


FIG. 6



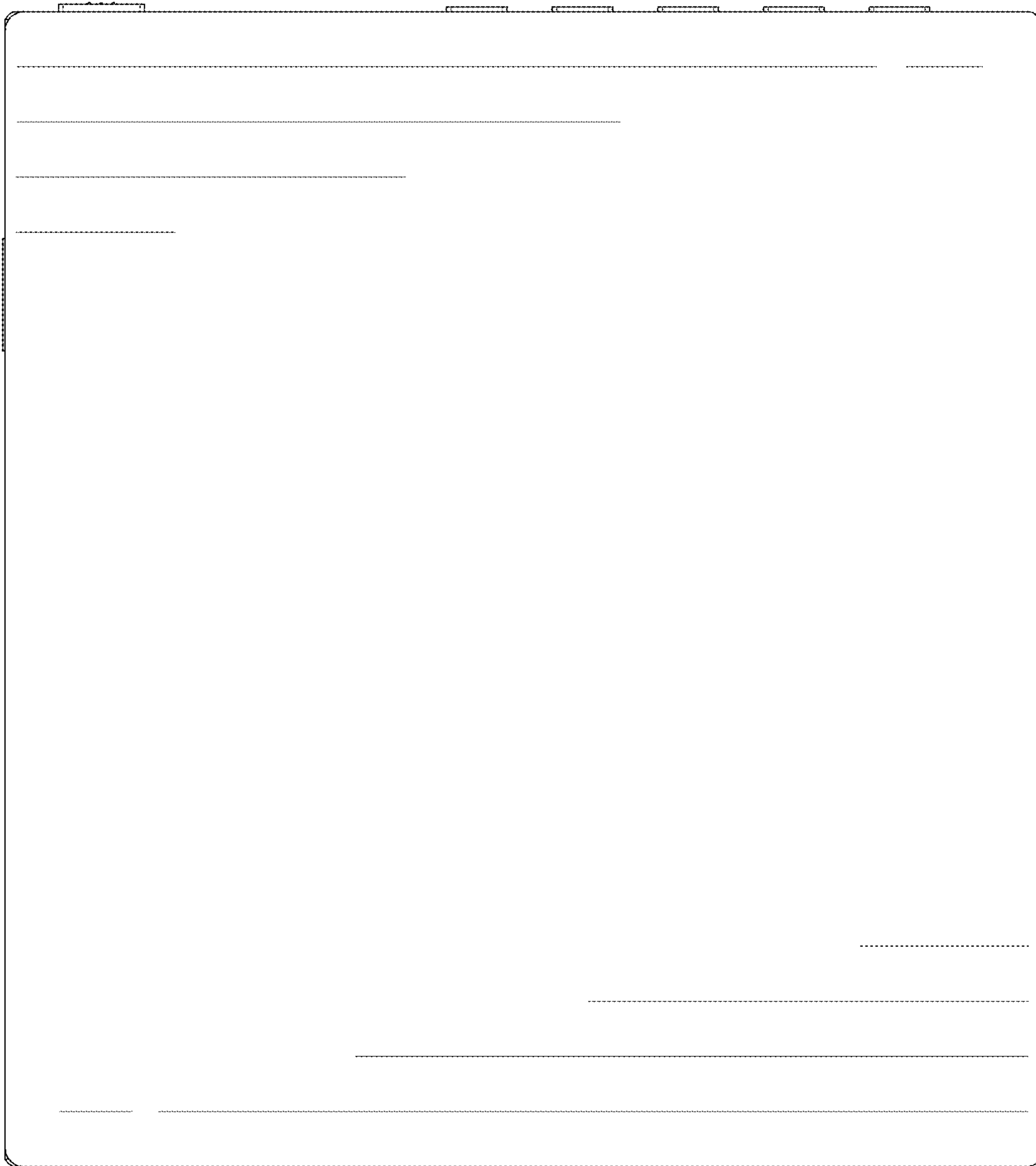


FIG. 7

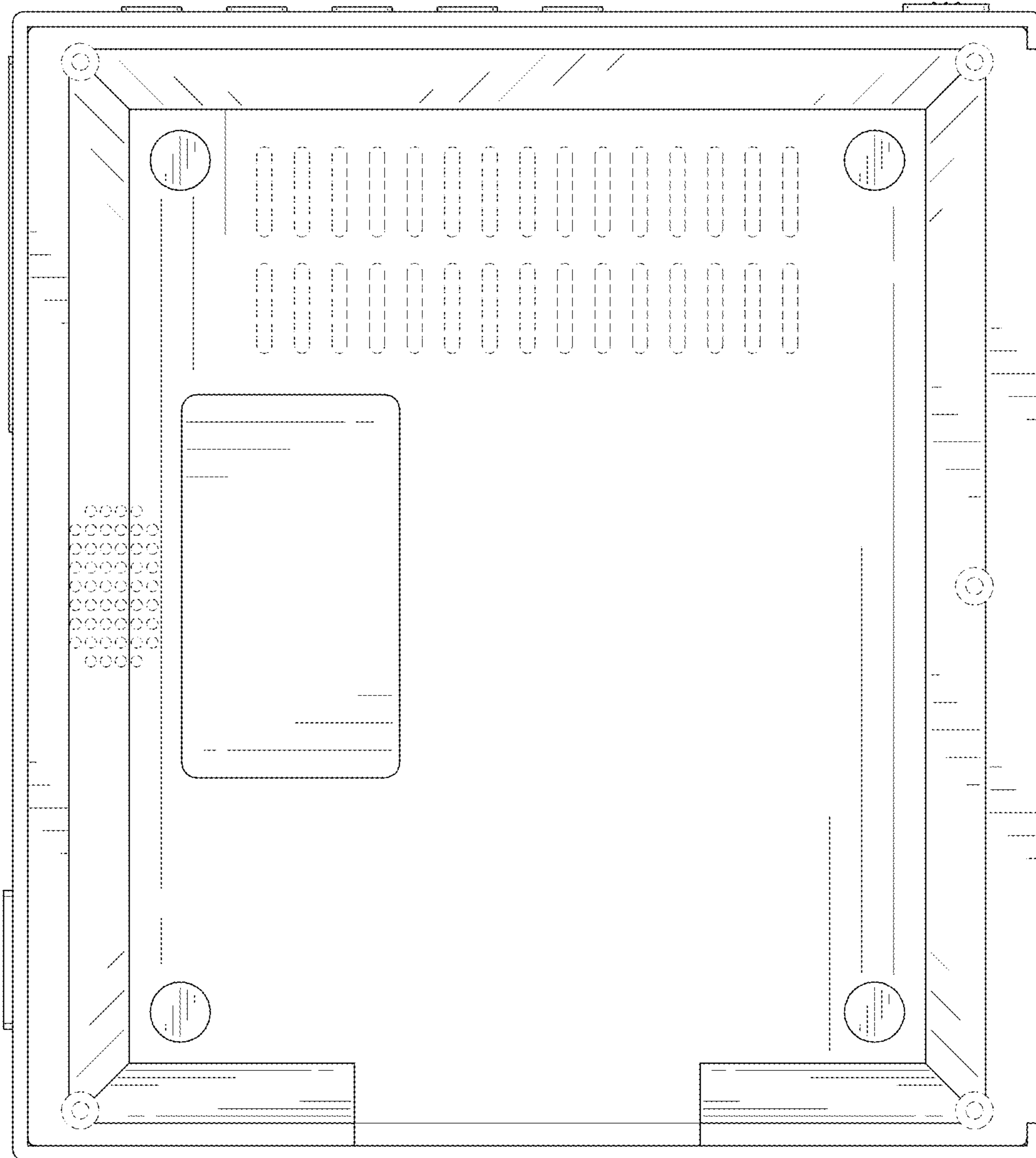


FIG. 8

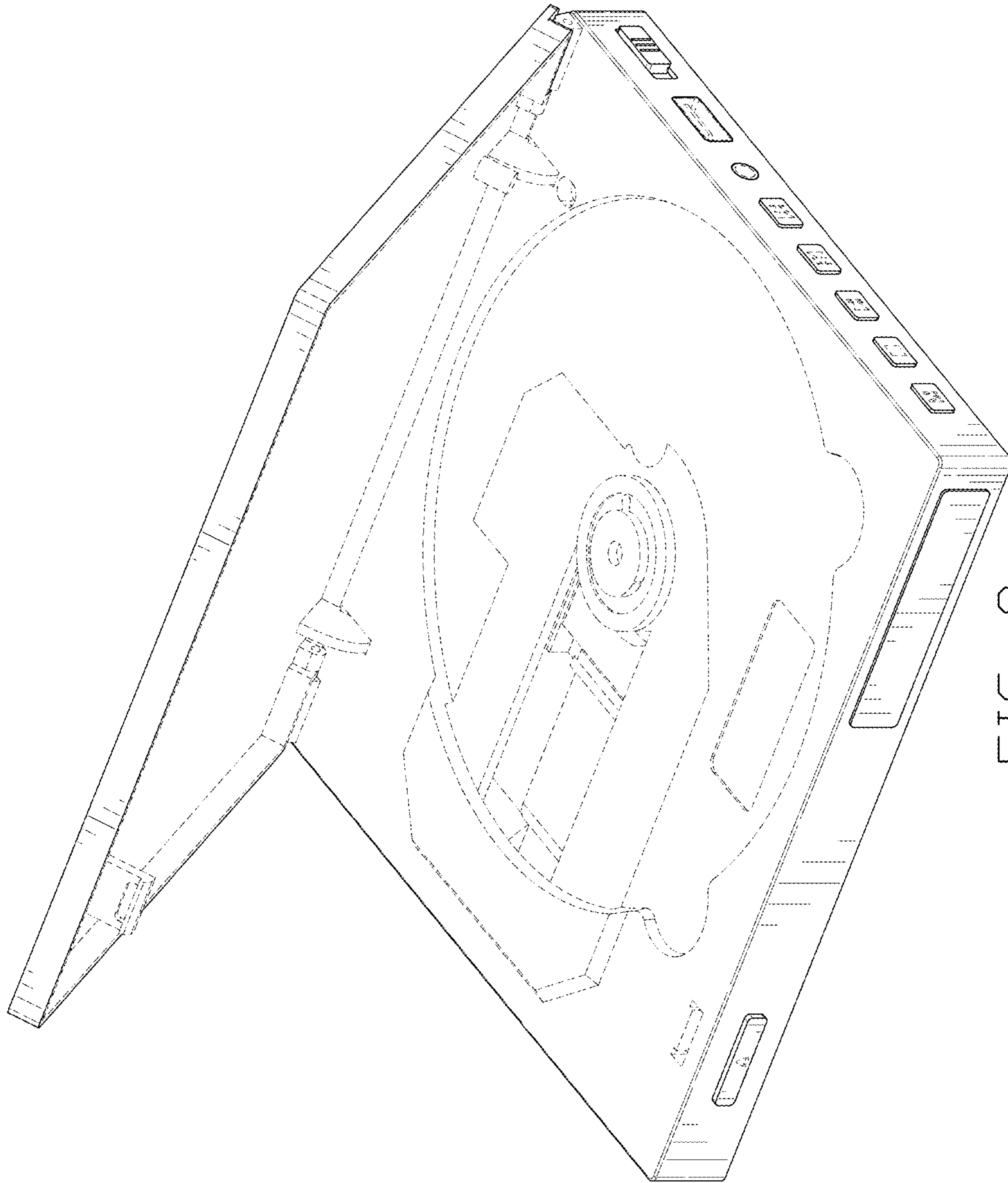


FIG. 9