



US00D956069S

(12) **United States Design Patent** (10) **Patent No.:** **US D956,069 S**
Silcox (45) **Date of Patent:** **** Jun. 28, 2022**

(54) **COMPUTER SCREEN WITH A GRAPHICAL USER INTERFACE**

(74) *Attorney, Agent, or Firm* — Oblon, McClelland, Maier & Neustadt, L.L.P.

(71) Applicant: **Philip Morris Products S.A.**,
Neuchatel (CH)

(57) **CLAIM**

The ornamental design for a computer screen with a graphical user interface, as shown and described.

(72) Inventor: **Paul Silcox**, London (GB)

(73) Assignee: **Philip Morris Products S.A.**,
Neuchatel (CH)

DESCRIPTION

(**) Term: **15 Years**

The file of this patent contains at least one drawing/photograph executed in color. Copies of this patent with color drawing(s)/photograph(s) will be provided by the Office upon request and payment of the necessary fee.

(21) Appl. No.: **29/764,063**

FIG. 1 is a front, top, and right side perspective view of a first embodiment of a computer screen with a graphical user interface showing the new design.

(22) Filed: **Dec. 28, 2020**

(30) **Foreign Application Priority Data**

Oct. 19, 2020 (EM) 008206890-0001
Oct. 19, 2020 (EM) 008206890-0002
(Continued)

FIG. 2 is a front elevational view thereof.

FIG. 3 is a rear elevational view thereof.

(51) **LOC (13) Cl.** **14-04**

(52) **U.S. Cl.**
USPC **D14/485**; D14/489

FIG. 4 is a top plan view thereof.

FIG. 5 is a bottom plan view thereof.

FIG. 6 is a right side elevational view thereof.

FIG. 7 is a left side elevational view thereof.

(58) **Field of Classification Search**
USPC D14/485–495
(Continued)

FIG. 8 is a front, top, and right side perspective view of a second embodiment of a computer screen with a graphical user interface showing the new design.

FIG. 9 is a front elevational view thereof.

FIG. 10 is a rear elevational view thereof.

FIG. 11 is a top plan view thereof.

FIG. 12 is a bottom plan view thereof.

FIG. 13 is a right side elevational view thereof.

FIG. 14 is a left side elevational view thereof.

FIG. 15 is a front, top, and right side perspective view of a third embodiment of a computer screen with a graphical user interface showing the new design.

FIG. 16 is a front elevational view thereof.

FIG. 17 is a rear elevational view thereof.

FIG. 18 is a top plan view thereof.

FIG. 19 is a bottom plan view thereof.

FIG. 20 is a right side elevational view thereof; and,

FIG. 21 is a left side elevational view thereof.

The shades of grey in the third embodiment represent a contrasting appearance within the graphical user interface.

(56) **References Cited**

U.S. PATENT DOCUMENTS

D780,768 S * 3/2017 Carlson D14/485
D805,538 S * 12/2017 Silverstein D14/486
(Continued)

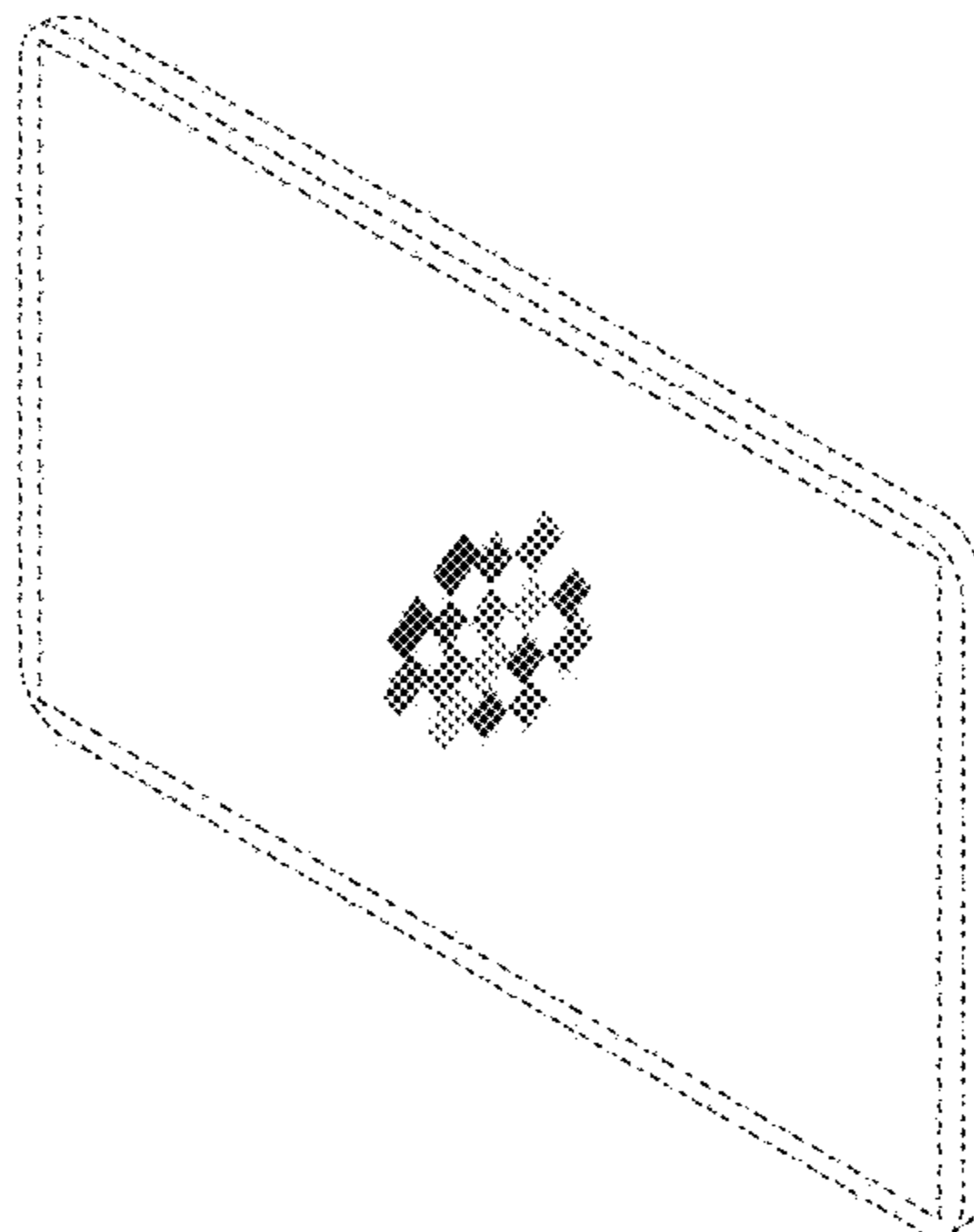
OTHER PUBLICATIONS

Notice issued Jun. 10, 2021 in corresponding Japanese Design Application No. 2020-028551, citing documents AX-AZ therein. 3 pages.

(Continued)

Primary Examiner — Daniel J Domino

(Continued)



The broken lines depict portions of the computer screen that form no part of the claimed design.

**1 Claim, 21 Drawing Sheets
(4 of 21 Drawing Sheet(s) Filed in Color)**

(30) **Foreign Application Priority Data**

Oct. 19, 2020	(EM)	008206890-0003
Oct. 19, 2020	(EM)	008206890-0004
Oct. 19, 2020	(EM)	008206890-0005
Oct. 19, 2020	(EM)	008206890-0006
Oct. 19, 2020	(EM)	008206890-0007
Oct. 19, 2020	(EM)	008206890-0008
Oct. 19, 2020	(EM)	008206890-0009
Oct. 19, 2020	(EM)	008206890-0010
Oct. 19, 2020	(EM)	008206890-0011

(58) **Field of Classification Search**

CPC G06F 3/048; G06F 3/0481; G06F 3/04817;
G06T 13/80; G06T 15/02
See application file for complete search history.

(56) **References Cited**

U.S. PATENT DOCUMENTS

D815,120	S *	4/2018	Watanabe	D14/485
D839,278	S *	1/2019	Carlson	D14/485
D841,026	S *	2/2019	King	D14/485
D847,841	S *	5/2019	Baker	D14/486

D848,448	S *	5/2019	Carlson	D14/485
D857,714	S *	8/2019	Carlson	D14/485
D868,827	S *	12/2019	Kwiatkowski	D14/489
D879,800	S *	3/2020	King	D14/485
D894,235	S *	8/2020	Butler	D14/493
D904,437	S *	12/2020	Chitalia	D14/485
D918,256	S *	5/2021	Asai	D14/489
D918,262	S *	5/2021	Labatt-Simon	D14/489
D920,377	S *	5/2021	Ways	D14/489
D926,784	S *	8/2021	Carlson	D14/488
D927,546	S *	8/2021	Taris	D14/492
D931,326	S *	9/2021	Gaillard	D14/488
D940,737	S *	1/2022	Dalonzo	D14/486
D941,308	S *	1/2022	Gu	D14/485
D941,835	S *	1/2022	Tateishi	D14/485
D943,000	S *	2/2022	Vogelbruch	D14/489

OTHER PUBLICATIONS

Notice issued Jun. 10, 2021 in corresponding Japanese Design Application No. 2020-028535, citing documents AX and AZ therein, 3 pages.

Notice issued Jun. 10, 2021 in corresponding Japanese Design Application No. 2020-028536, citing documents AX and AZ therein, 3 pages.

European Community Design Gazette. (Apr. 3, 2009), 000604020-0001, 4 pages.

InnoSoft Canada, TU Campus Rec. RJ0213268300, 2020, 2 pages <https://play.google.com/store/apps/details?id=com.innosoftfusiongo.towsonuniversity>.

Google Play, PS File Viewer, HJ3015227700, 2019, 2 pages <https://play.google.com/store/apps/details?id=com.ps.viewer>.

* cited by examiner

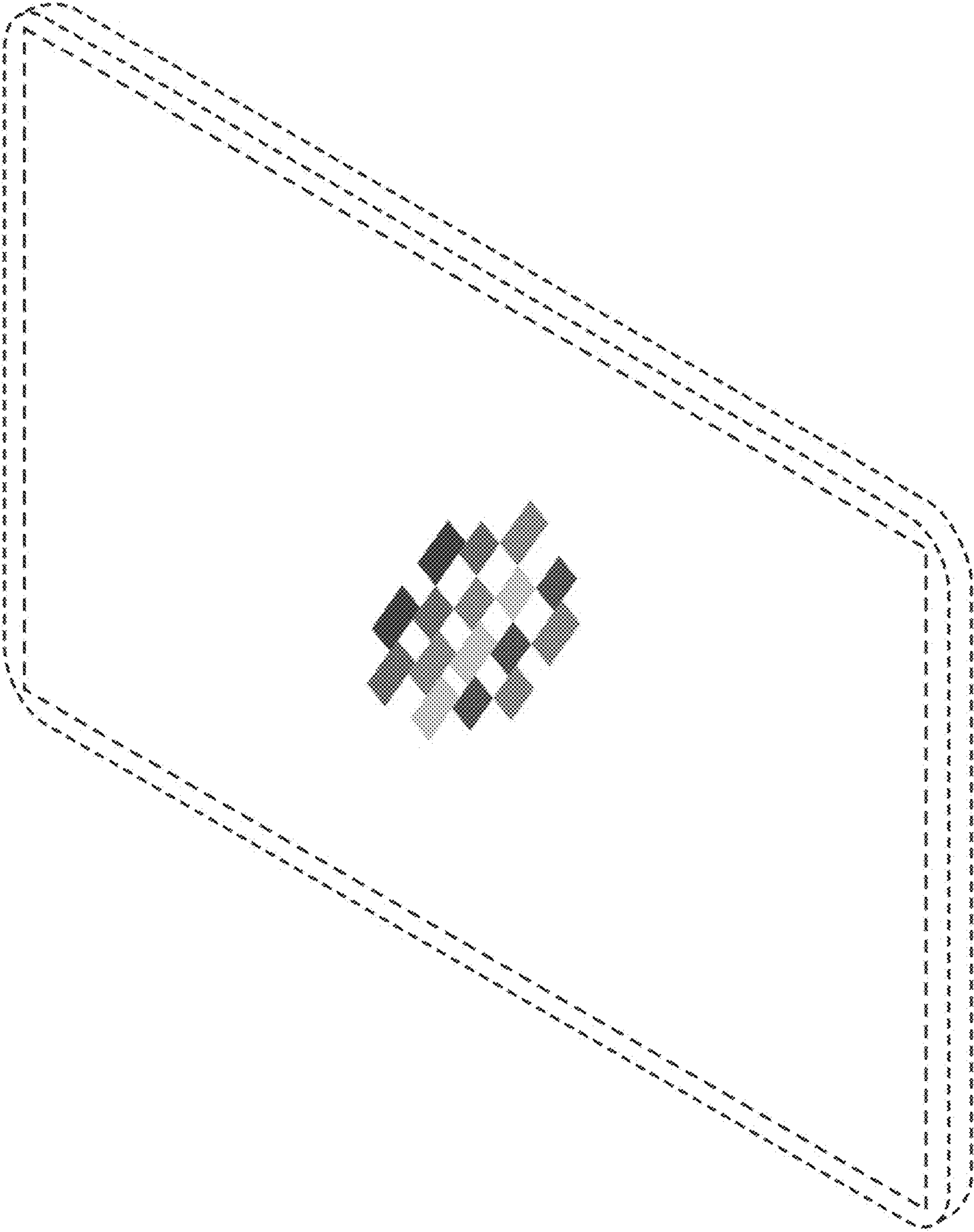


FIG. 1

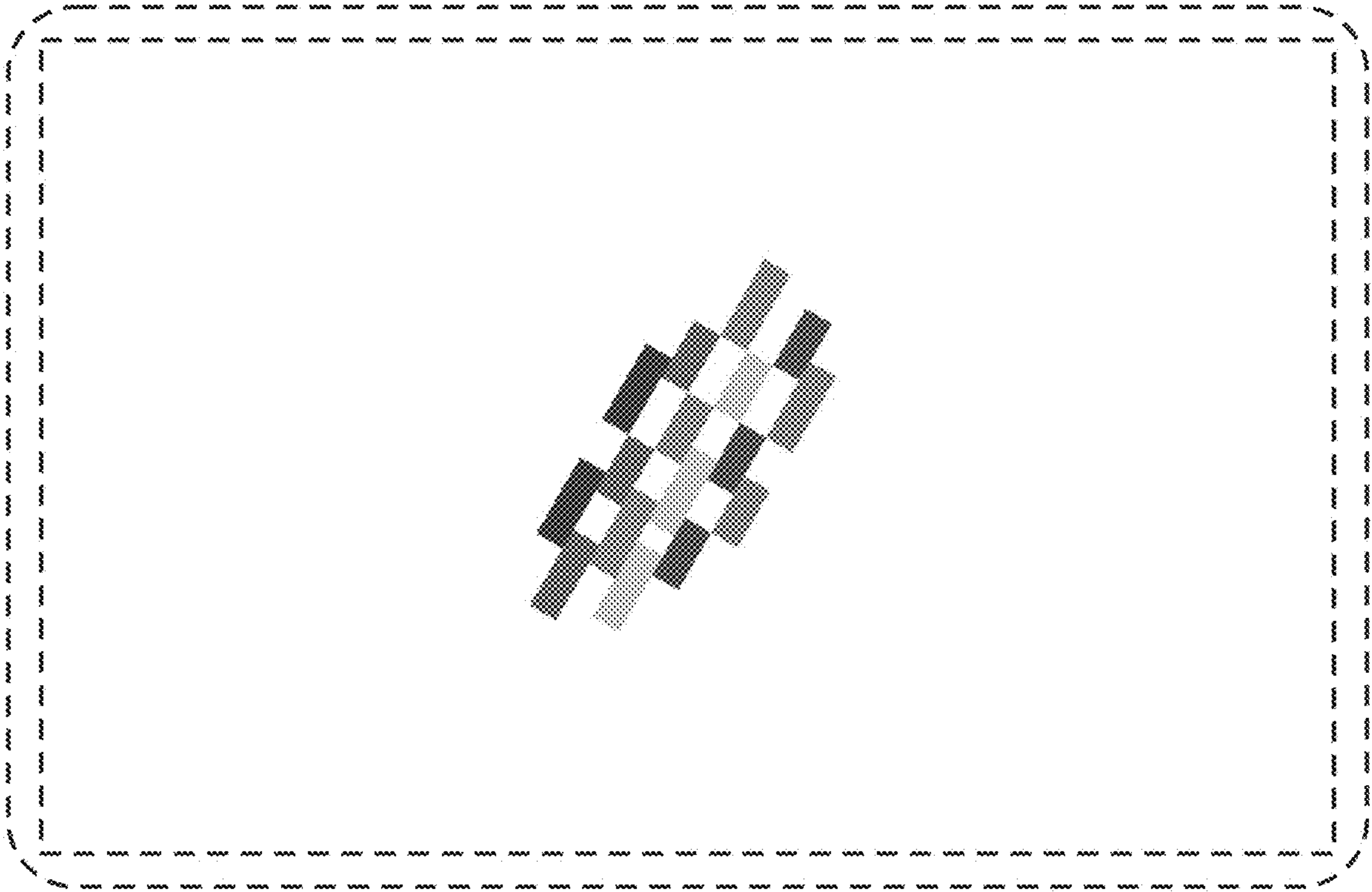


FIG. 2



FIG. 3



FIG. 4



FIG. 5



FIG. 6



FIG. 7

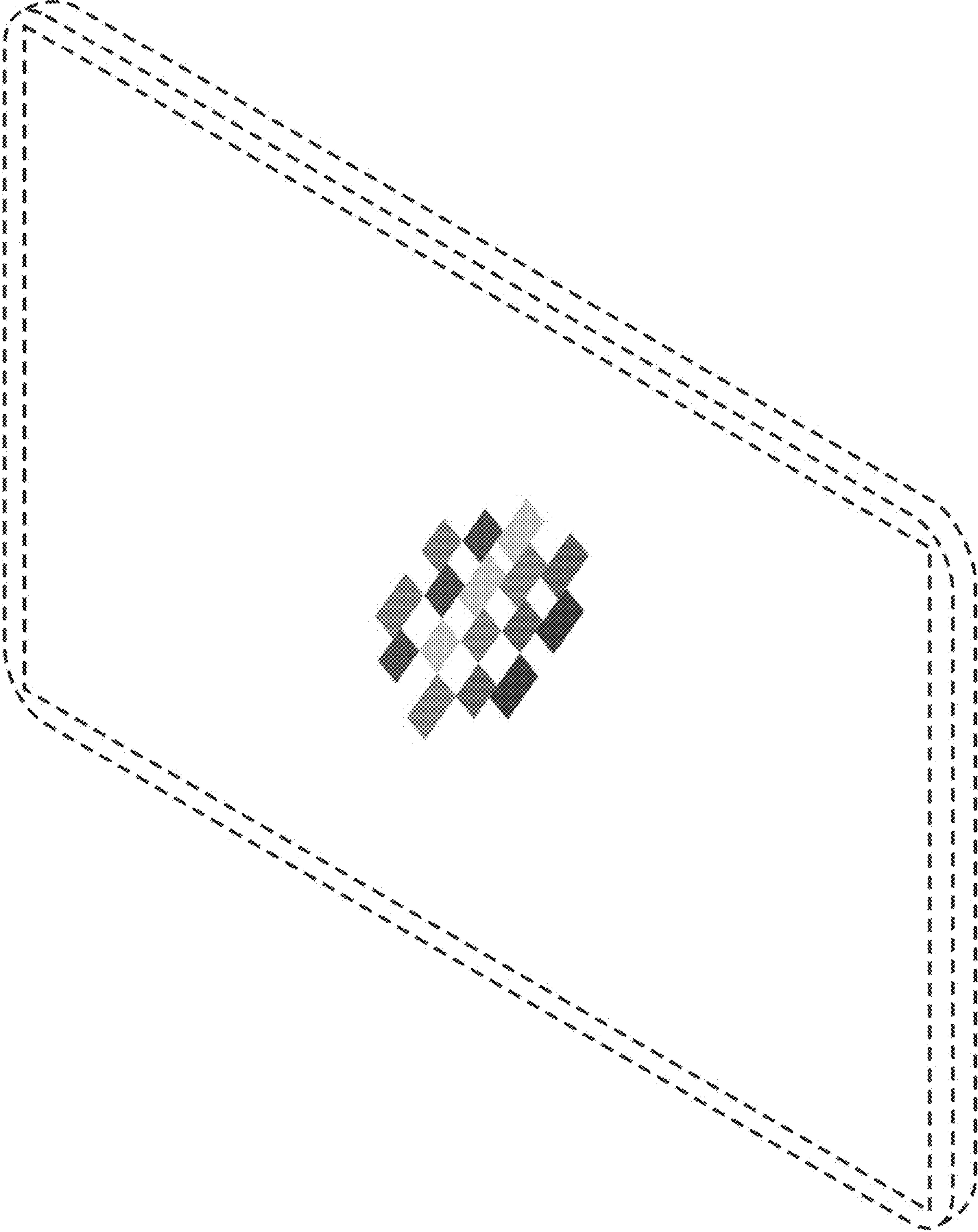


FIG. 8

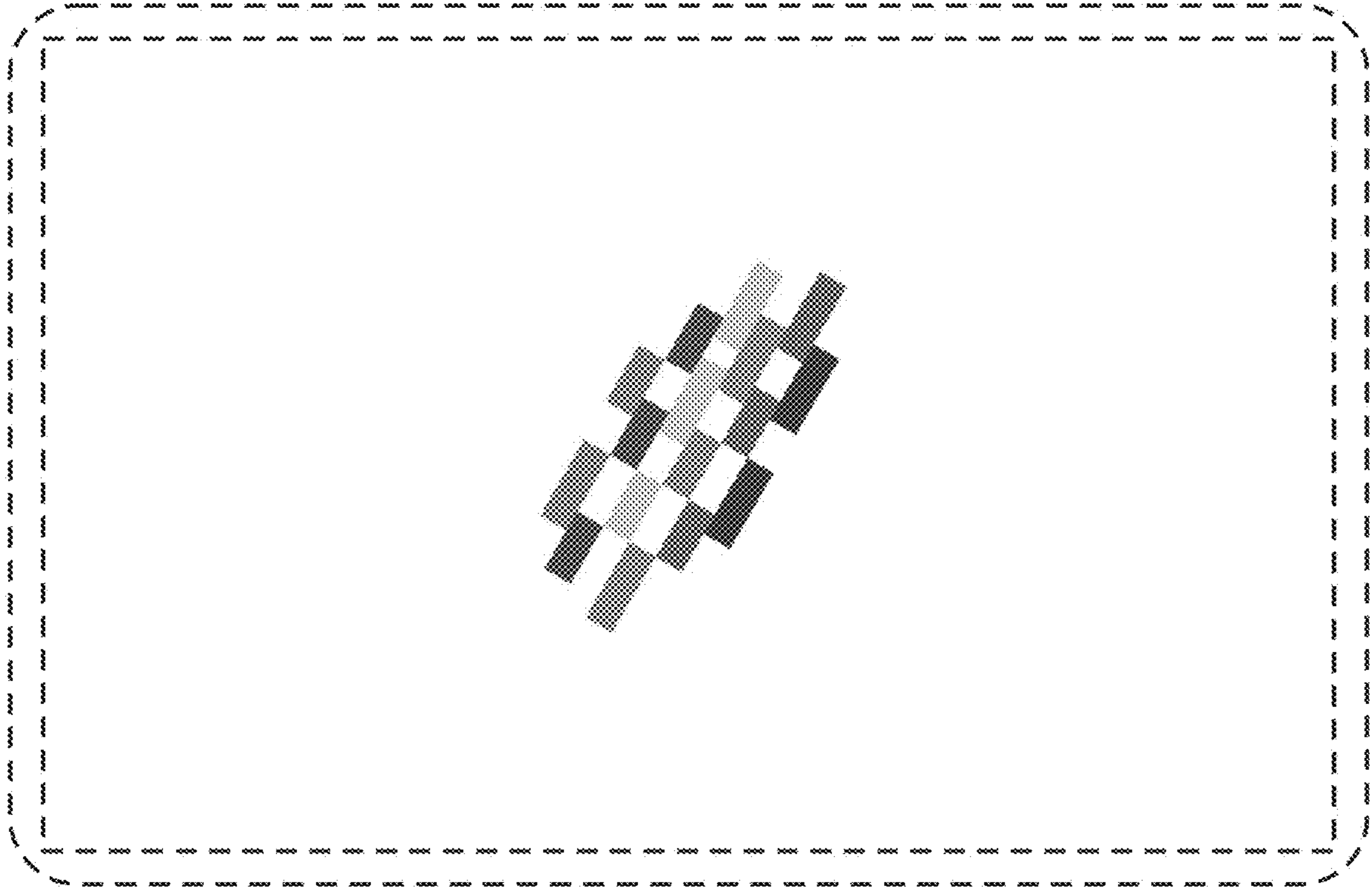


FIG. 9



FIG. 10



FIG. 11



FIG. 12



FIG. 13



FIG. 14

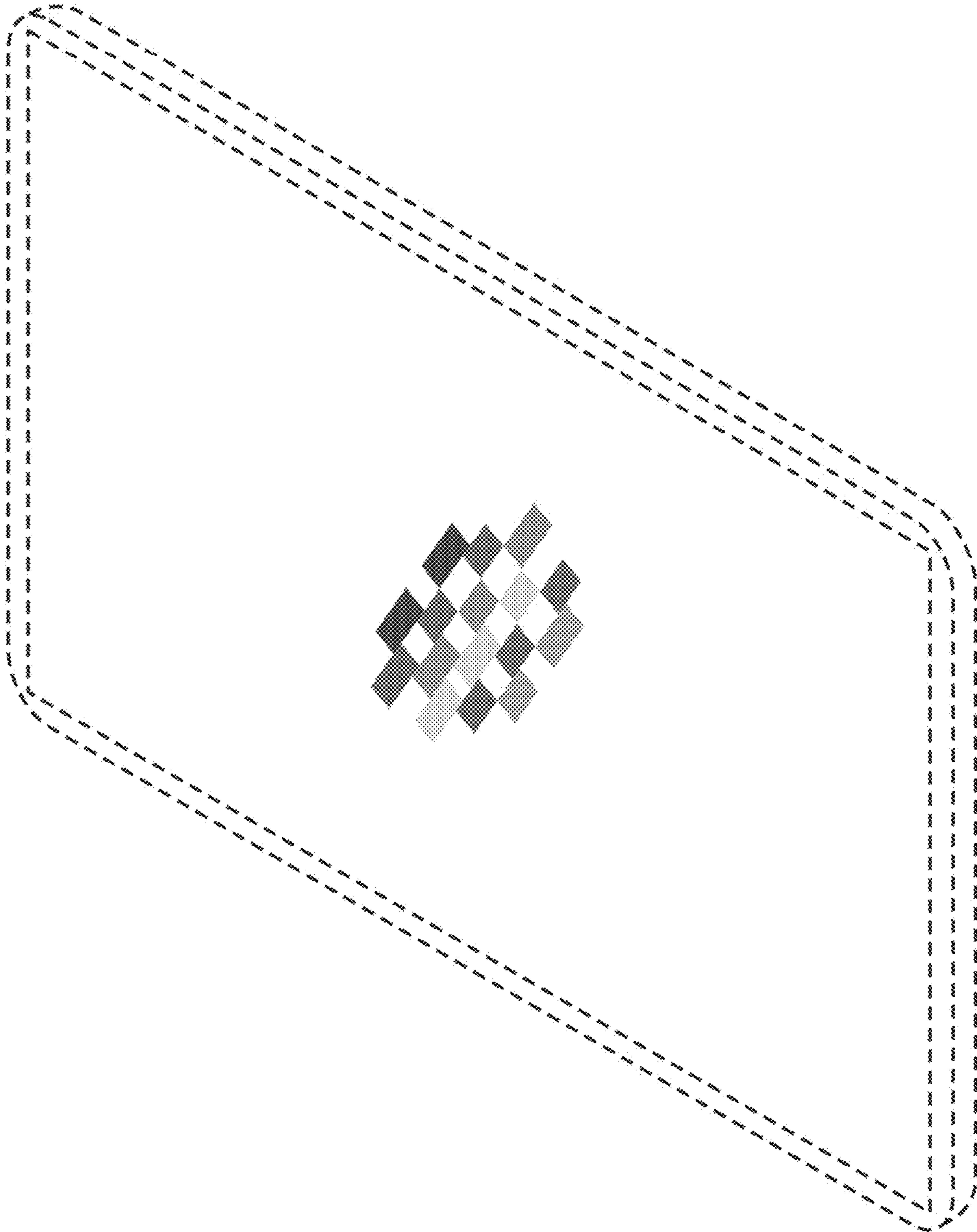


FIG. 15

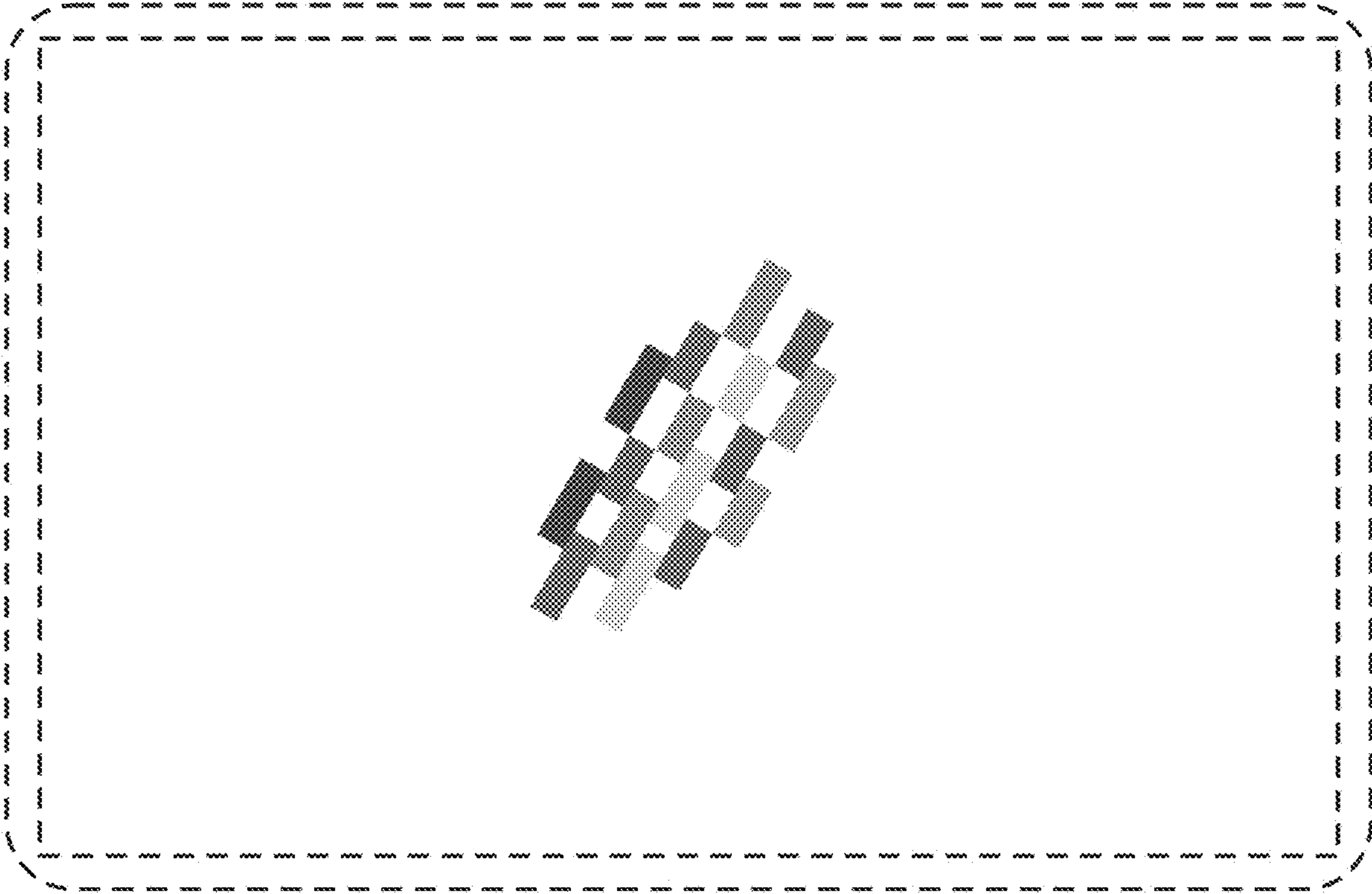


FIG. 16



FIG. 17



FIG. 18



FIG. 19

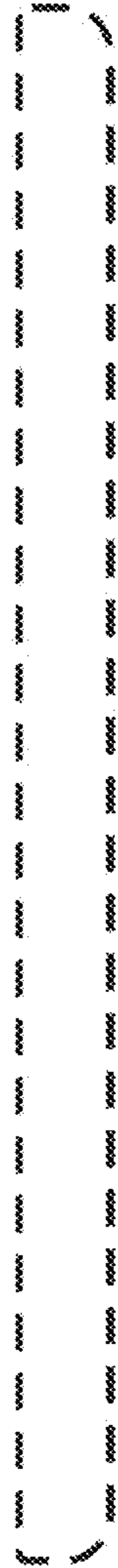


FIG. 20



FIG. 21