



US00D956055S

(12) **United States Design Patent**
Wang

(10) **Patent No.:** **US D956,055 S**

(45) **Date of Patent:** **** Jun. 28, 2022**

(54) **MONITOR STAND**

A47B 88/044; A47B 2021/0335; H02G
3/126; F16B 47/00; F16B 47/006; A47G
1/17; A47K 2201/00

(71) Applicant: **Wei Wang**, Guangdong (CN)

See application file for complete search history.

(72) Inventor: **Wei Wang**, Guangdong (CN)

(**) Term: **15 Years**

(56) **References Cited**

(21) Appl. No.: **29/751,921**

U.S. PATENT DOCUMENTS

(22) Filed: **Sep. 24, 2020**

(51) **LOC (13) Cl.** **14-02**

(52) **U.S. Cl.**
USPC **D14/451**

(58) **Field of Classification Search**
USPC D14/371-382, 125-129, 335-337,
D14/447-452, 492, 376-382, 239, 457,
D14/439-441, 432, 251-253, 204, 209,
D14/214-216; D8/349, 354, 363, 373,
D8/376, 380; 348/180, 184, 325, 739,
348/825; D12/407, 415; D3/218;
341/12; D6/661, 675.1, 675.3, 677.1,
D6/678.1, 678.2, 653.1, 653.15, 653.18,
D6/653.19

CPC G06F 3/0412; G06F 3/016; G06F 3/0488;
G06F 3/011; G06F 3/038; G06F 3/03543;
G06F 3/0338; G06F 3/0202; G06F
3/0219; G06F 3/0213; G06F 1/1616;
G06F 3/023; G06F 3/04883; G02F
1/13338; G02F 1/1313; G02F 1/1333;
G02F 1/135; G02F 1/132; G02F
1/133308; G02F 1/134309; G02F
1/13718; G09G 3/3648; G06K 15/1252;
B41J 2/465; G03F 7/70291; G02B
27/0172; G02B 5/30; G02B 2027/0118;
G02B 27/0101; F16M 13/02; F16M
13/00; F16M 11/10; F16M 11/04; F16M
2200/08; F16M 11/2021; A47B 21/0314;

D221,072	S	*	7/1971	Kehl	D6/349
D524,319	S	*	7/2006	Zamanian	D14/447
D587,664	S	*	3/2009	Cometti	D14/126
D589,283	S	*	3/2009	Stangdell	D6/691.3
D688,671	S	*	8/2013	Avganim	D14/447
D701,215	S	*	3/2014	King	D14/447
D707,066	S	*	6/2014	Theisen	D6/682.2
D785,956	S	*	5/2017	Stricklin	D6/349
D787,845	S	*	5/2017	Edwards	D6/353
D802,311	S	*	11/2017	Stricklin	D6/349
D811,784	S	*	3/2018	Sartain	D6/684
D895,631	S	*	9/2020	Kanter	D14/451
D926,774	S	*	8/2021	Kanter	D14/447

* cited by examiner

Primary Examiner — Katie Jane Stofko

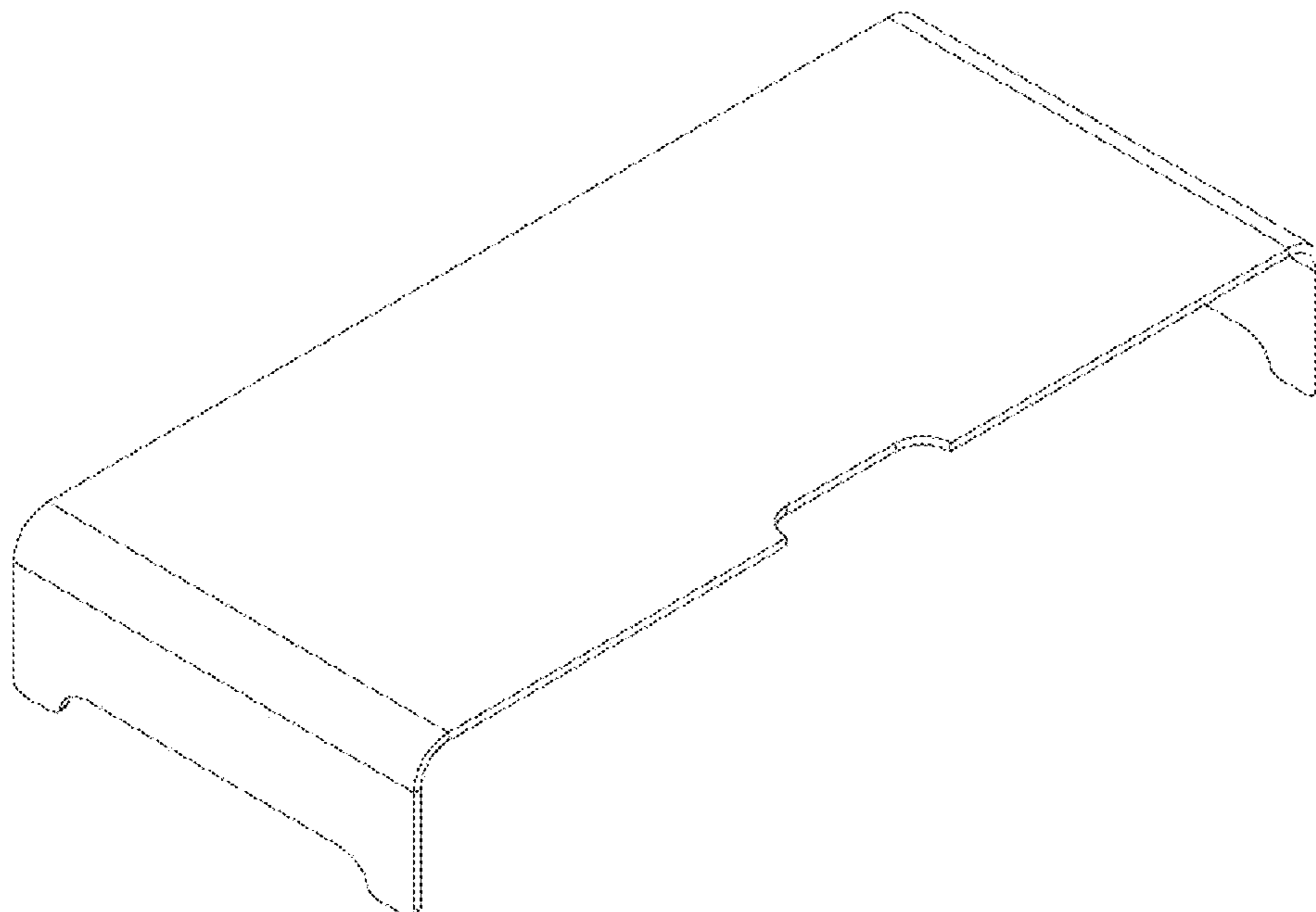
(57) **CLAIM**

The ornamental design for a monitor stand, as shown and described.

DESCRIPTION

FIG. 1 is a perspective view of a monitor stand showing my new design;
FIG. 2 is a front elevation view thereof;
FIG. 3 is a rear elevation view thereof;
FIG. 4 is a left side elevation view thereof;
FIG. 5 is a right side elevation view thereof;
FIG. 6 is a top plan view thereof; and,
FIG. 7 is a bottom plan view thereof.

1 Claim, 7 Drawing Sheets



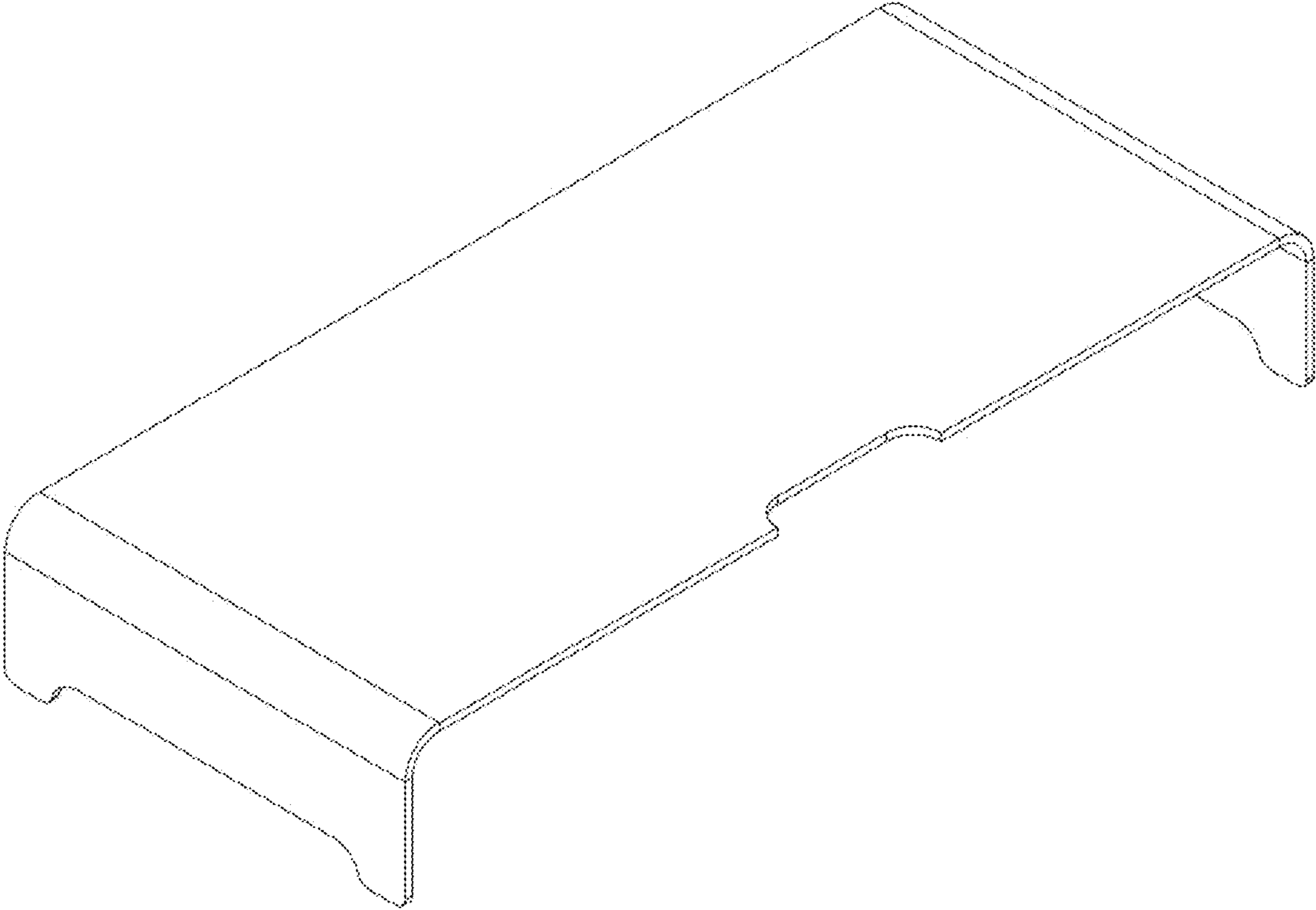


FIG.1



FIG.2

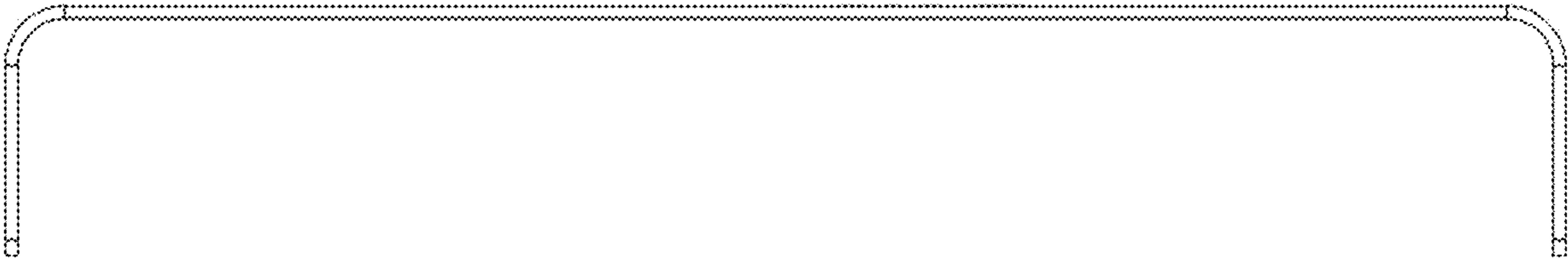


FIG.3

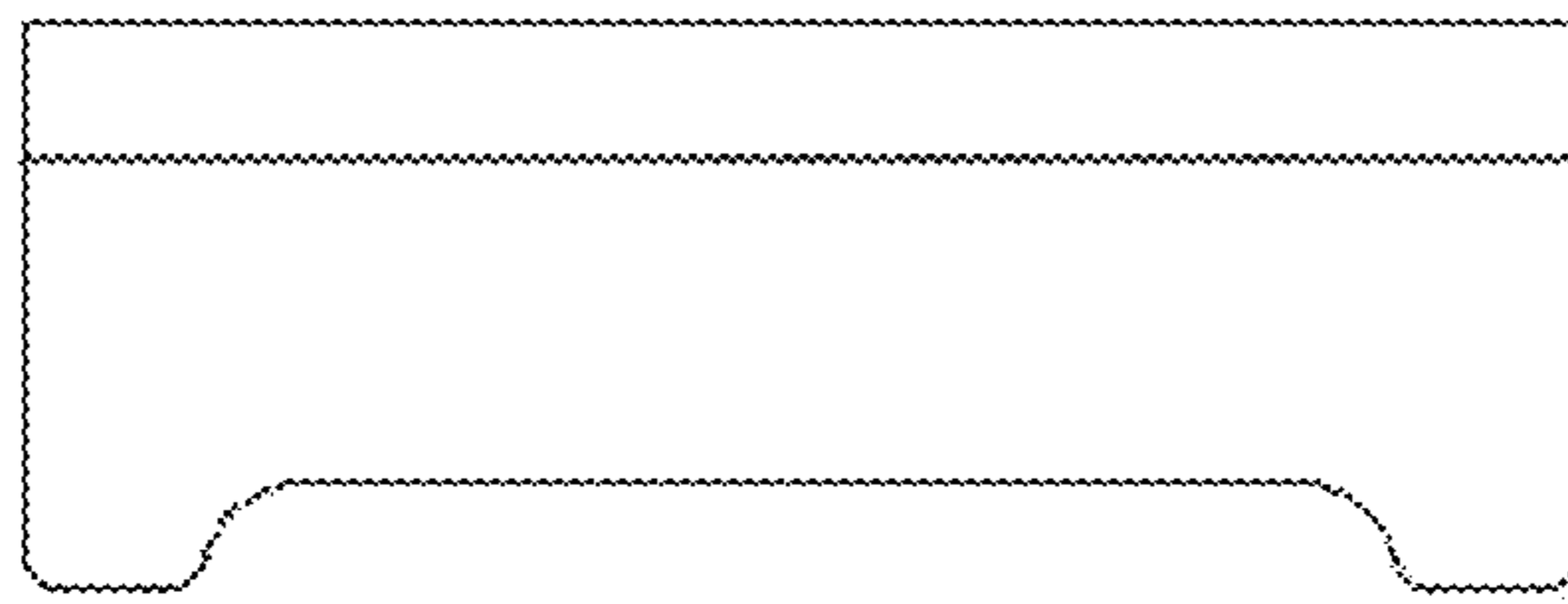


FIG.4

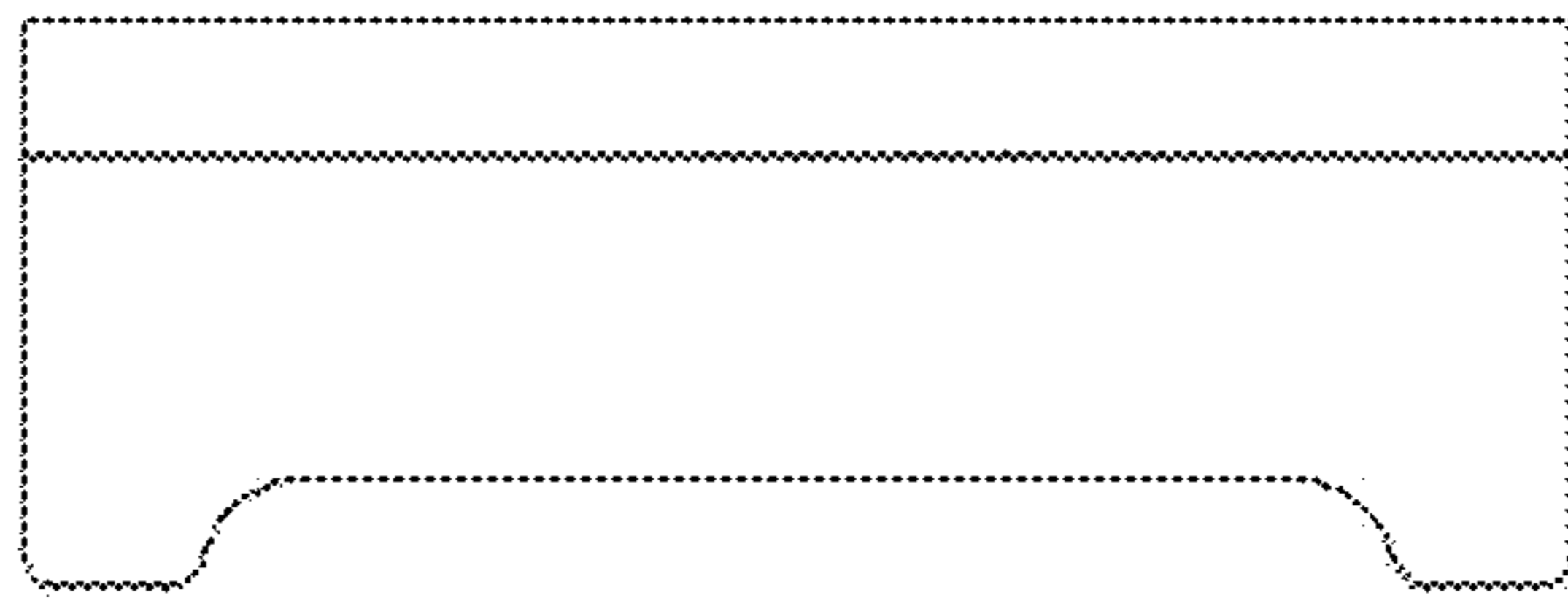


FIG. 5

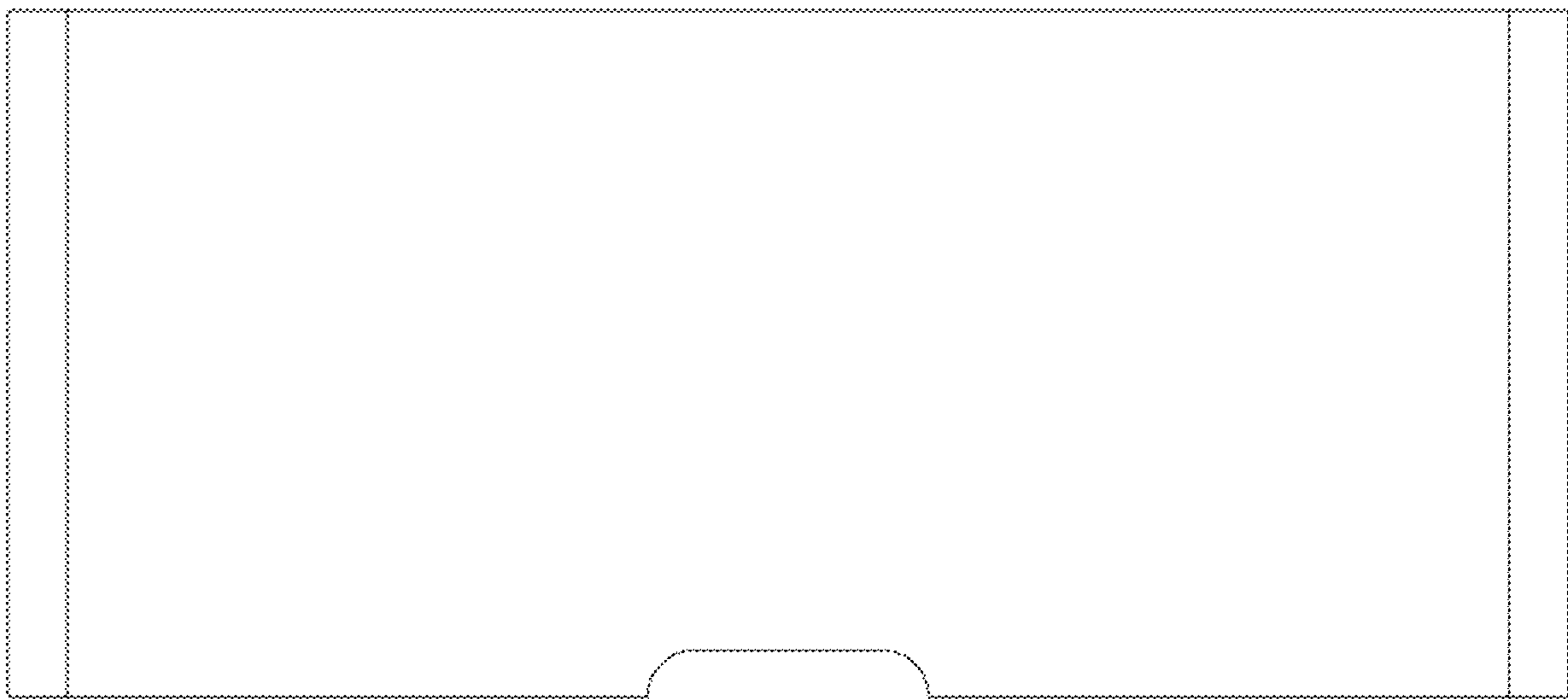


FIG.6

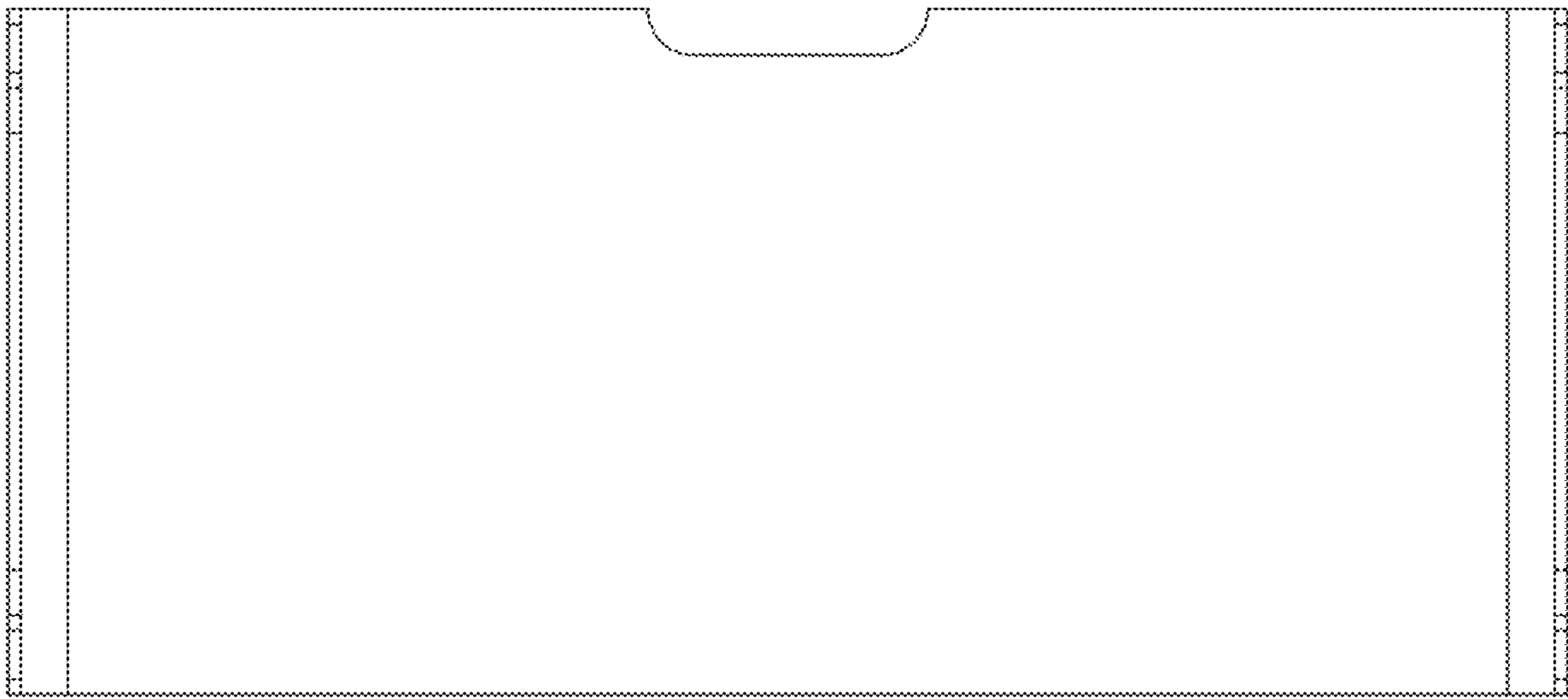


FIG. 7