



US00D956053S

(12) **United States Design Patent**
Kanter

(10) **Patent No.:** **US D956,053 S**
(45) **Date of Patent:** **** Jun. 28, 2022**

- (54) **MOUNT ADAPTER BRACKET**
- (71) Applicant: **HUMANCENTRIC VENTURES LLC, Skokie, IL (US)**
- (72) Inventor: **Simcha Kanter, Skokie, IL (US)**
- (**) Term: **15 Years**
- (21) Appl. No.: **29/715,819**
- (22) Filed: **Dec. 4, 2019**
- (51) **LOC (13) Cl.** **14-02**
- (52) **U.S. Cl.**
USPC **D14/451; D8/366**
- (58) **Field of Classification Search**
USPC D8/349, 354, 363, 373, 376, 380;
D14/371-374, 447-452, 492, 239, 457,
D14/432, 251-253, 376-382, 439-441
CPC G02F 1/1313; G02F 1/1333; G02F 1/135;
G02F 1/132; G02F 1/133308; G02F
1/134309; G02F 1/13718; G02F 1/13338;
G06K 15/1252; B41J 2/465; G03F
7/70291; G02B 27/0172; G02B 5/30;
G02B 2027/0118; G02B 27/0101; G06F
3/0412; G06F 3/016; G06F 3/0488; G06F
3/011; G06F 3/038; G06F 3/03543; G06F
3/0338; G06F 3/0202; G06F 3/0213;
G06F 1/1616; G06F 3/023; G06F
3/04883; G09G 3/3648; F16M 13/02;
F16M 13/00; F16M 11/10; F16M 11/04;
F16M 2200/08; F16M 11/2021; H02G
3/126; A47B 21/0314; A47B 88/044;
A47B 2021/0335; F16B 47/00; F16B
47/006; A47G 1/17
See application file for complete search history.

D560,675 S *	1/2008	Wohlford	D14/451
D632,160 S *	2/2011	Ketchersid	D8/354
D822,453 S *	7/2018	Kanter	D8/354
D822,454 S *	7/2018	Kanter	D8/354
D823,093 S *	7/2018	Kanter	D8/354
D823,094 S *	7/2018	Kanter	D8/354
D829,531 S *	10/2018	Kanter	D8/354
D829,533 S *	10/2018	Kanter	D8/354
D829,534 S *	10/2018	Kanter	D8/354
D853,403 S *	7/2019	Lyu	D14/451
D913,288 S *	3/2021	Fehr	D14/432
D931,865 S *	9/2021	Meyer	D14/451

(56) **References Cited**

U.S. PATENT DOCUMENTS

D489,377 S *	5/2004	van Kuijk	D14/451
D560,674 S *	1/2008	Wohlford	D14/451

OTHER PUBLICATIONS

HumanCentric VESA Mount Adapter for Dell, Date Visited: Nov. 16, 2021, Amazon, Date Available: Sep. 9, 2019, <https://www.amazon.co.uk/HumanCentric-SE2416HX-SE2717HX-SE2417HG-SE2717HR/dp/B07X8YH81H> (Year: 2019).*

(Continued)

Primary Examiner — Karen S Acker
Assistant Examiner — Elizabeth S Ko

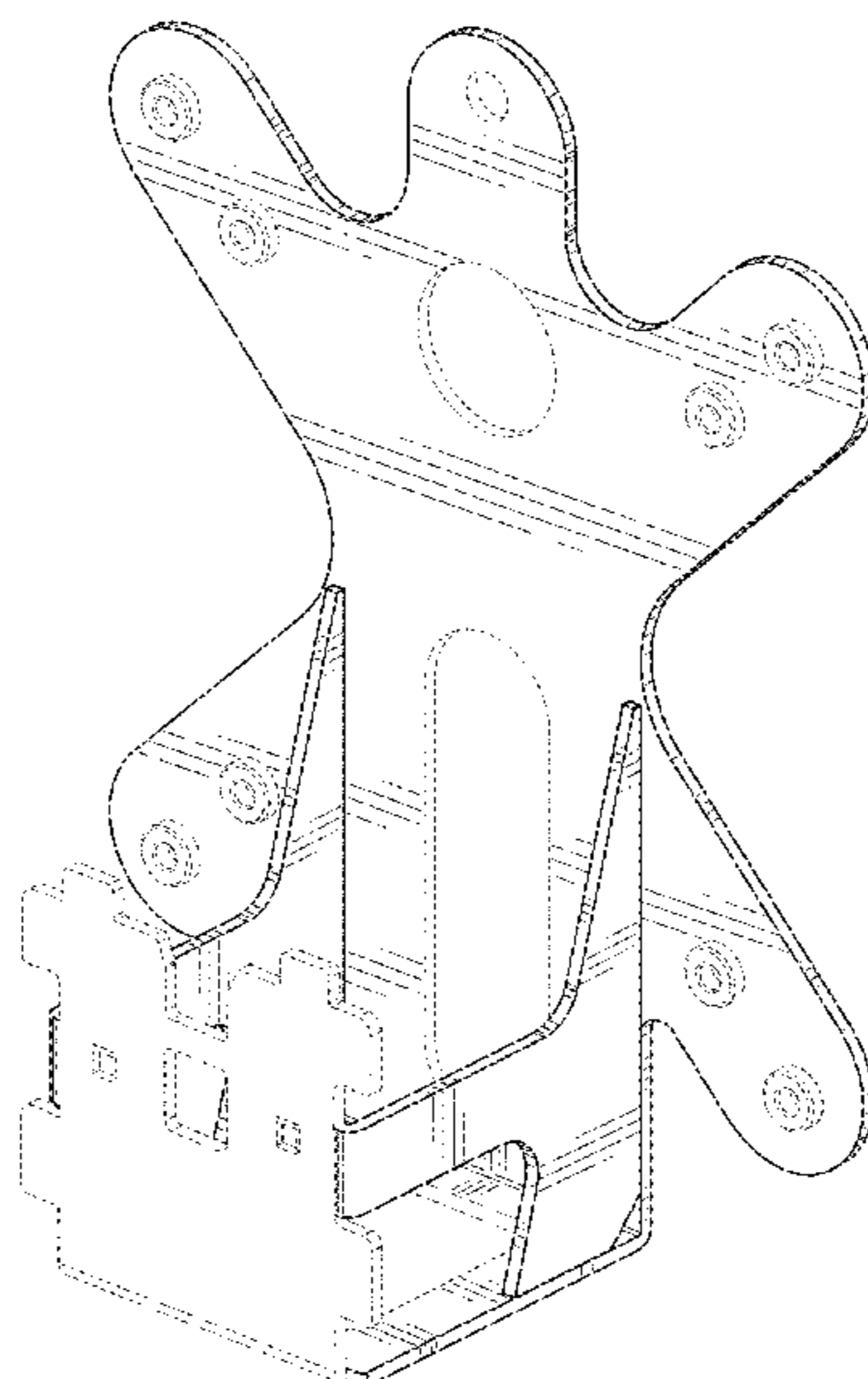
(57) **CLAIM**

The ornamental design for a mount adapter bracket, as shown and described.

DESCRIPTION

FIG. 1 shows a top perspective view of the mount adapter bracket.
FIG. 2 is a front view of the mount adapter bracket.
FIG. 3 is a back view of the mount adapter bracket.
FIG. 4 is a left side view of the mount adapter bracket.
FIG. 5 is a right side view of the mount adapter bracket.
FIG. 6 is a top view of the mount adapter bracket; and,
FIG. 7 is a bottom view of the mount adapter bracket.
The broken lines and unshaded areas depict portions of the mount adapter bracket that form no part of the claimed design.

1 Claim, 7 Drawing Sheets



(56)

References Cited

OTHER PUBLICATIONS

HumanCentric VESA Mount Adapter hp, Date Visited: Nov. 16, 2021, Amazon, Date Available: Sep. 9, 2019, <https://www.amazon.co.uk/HumanCentric-Adapter-Monitors-Patent-Pending/dp/B07XJQP4R> (Year: 2019).*

HumanCentric VESA Mount Adapter, Date Visited: Nov. 16, 2021, Amazon, Date Available: Sep. 9, 2019, <https://www.amazon.co.uk/HumanCentric-Adapter-Monitors-Ultrathin-Patented/dp/B07XPCMXFV> (Year: 2019).*

Amazon. (Aug. 12, 2016). Gladiator Joe Monitor Arm/Mount VESA Bracket. Amazon.com Retrieved Dec. 22, 2019, from <https://www.amazon.com/dp/B01KAHXP68>.

Amazon. (Oct. 1, 2018). Wali VESA Mount Adapter. Amazon.com Retrieved Dec. 16, 2019, from <https://www.amazon.com/dp/B06ZYV2VDG/>.

Amazon. (Feb. 11, 2019). Vivo Quick Attached VESA Adapter Plate. Amazon.com Retrieved Dec. 22, 2019, from <https://www.amazon.com/dp/B07NM9Z7GX>.

* cited by examiner

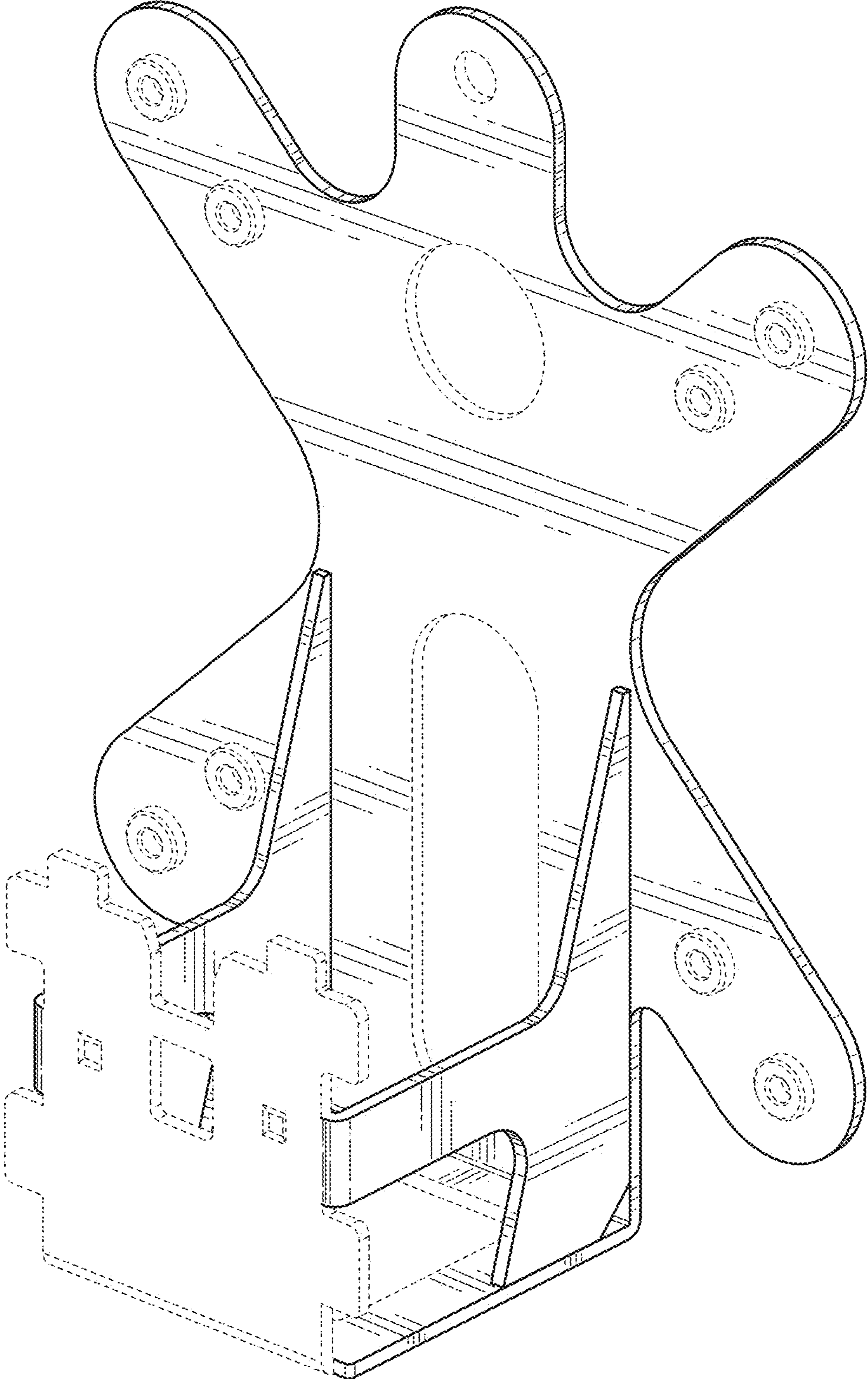


FIG. 1

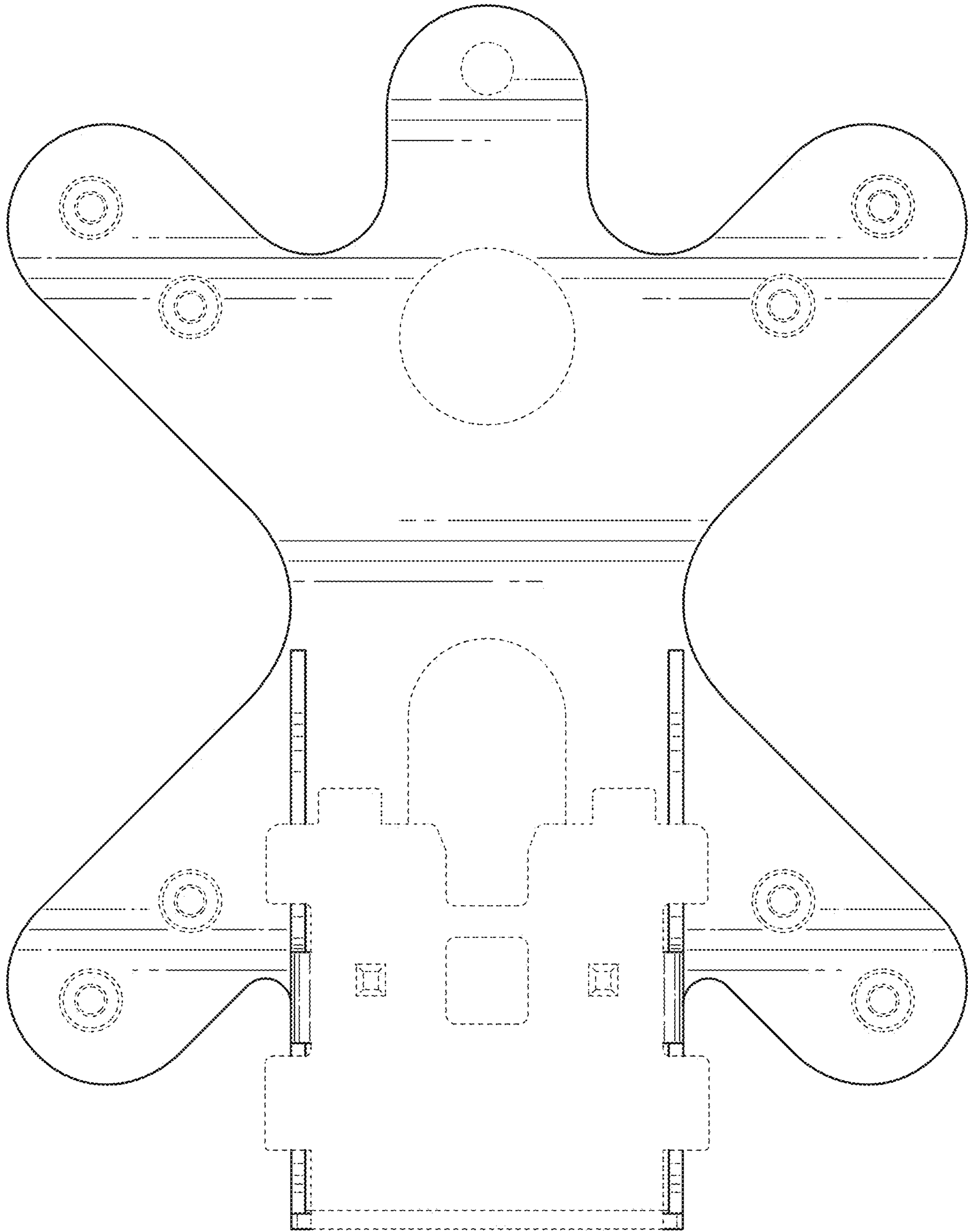


FIG. 2

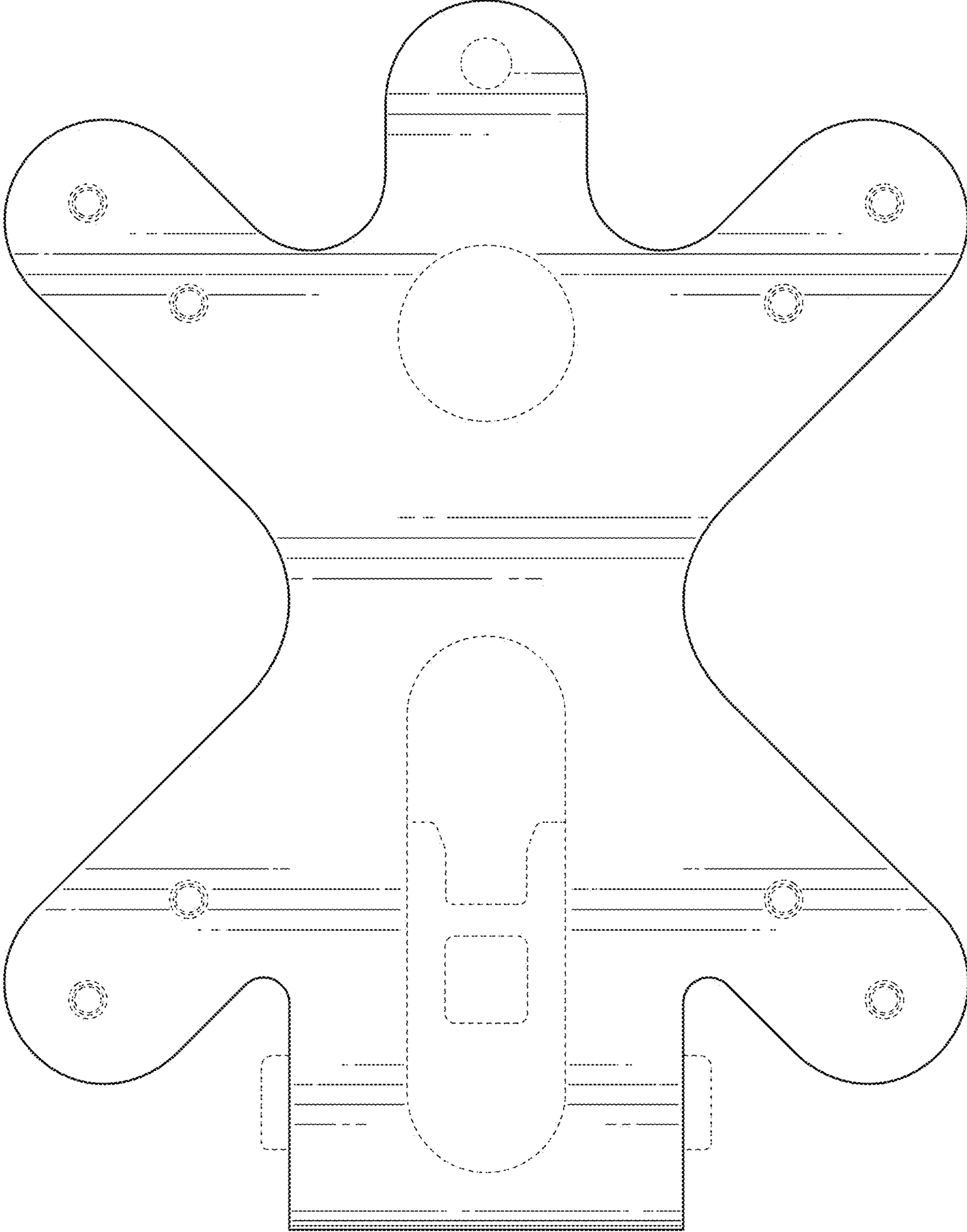


FIG. 3

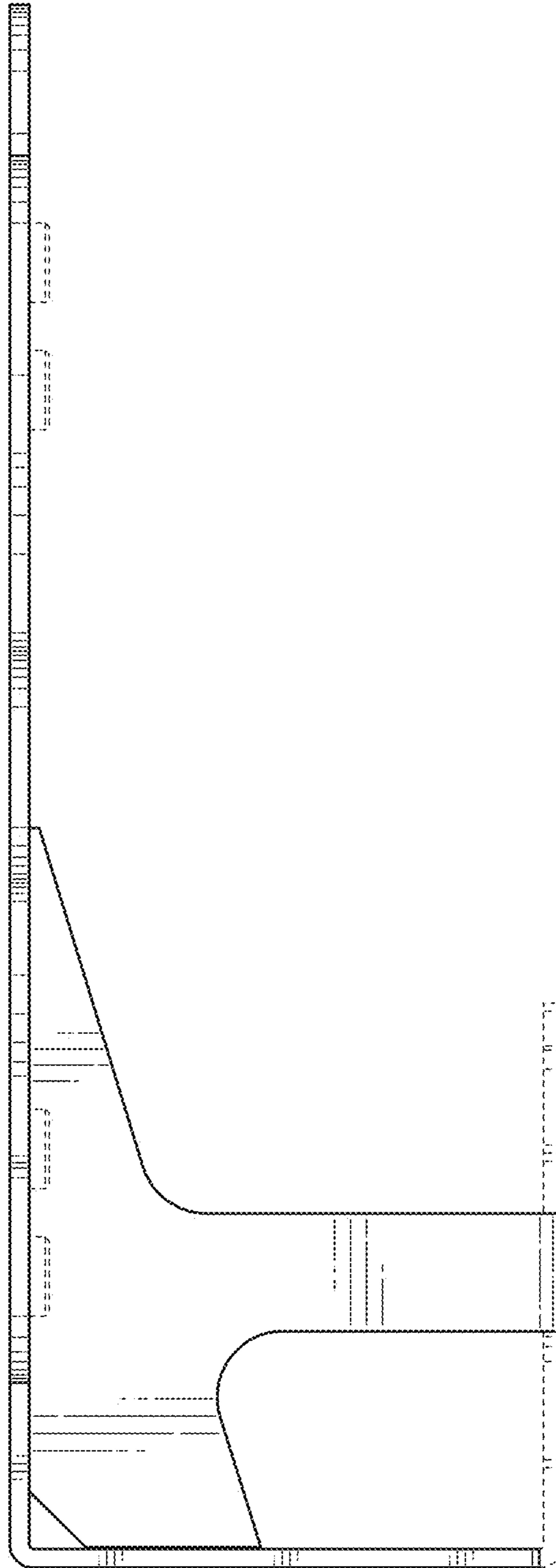


FIG. 4

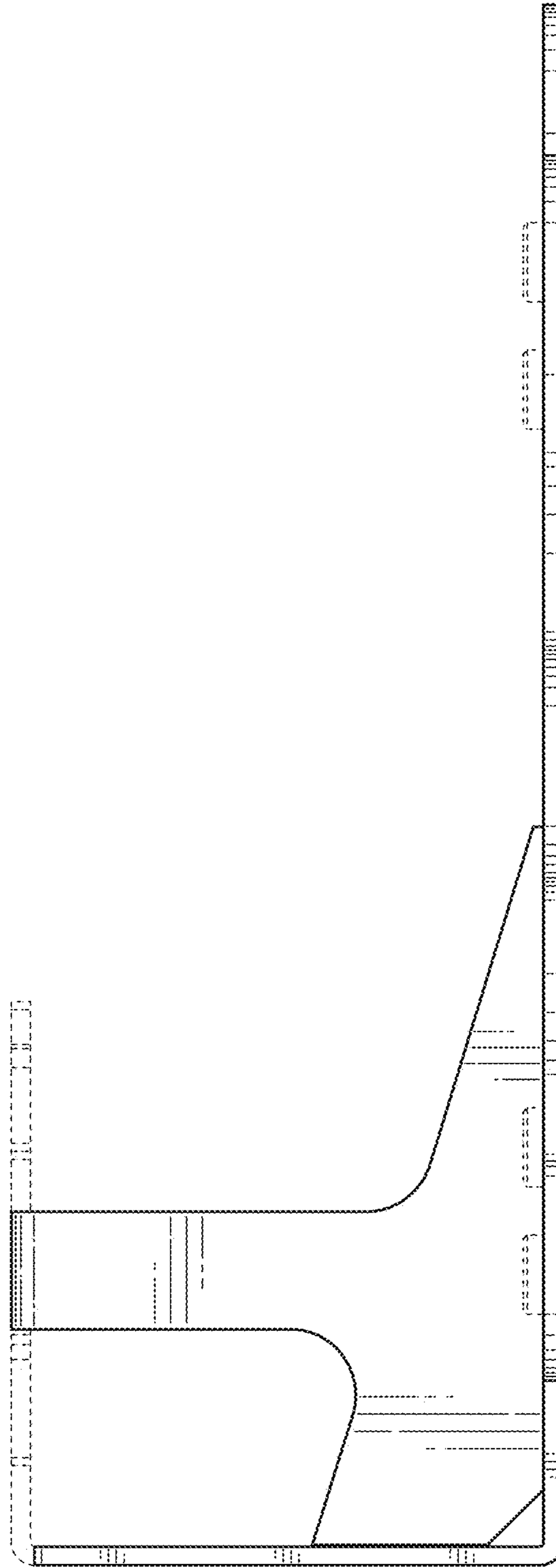


FIG. 5

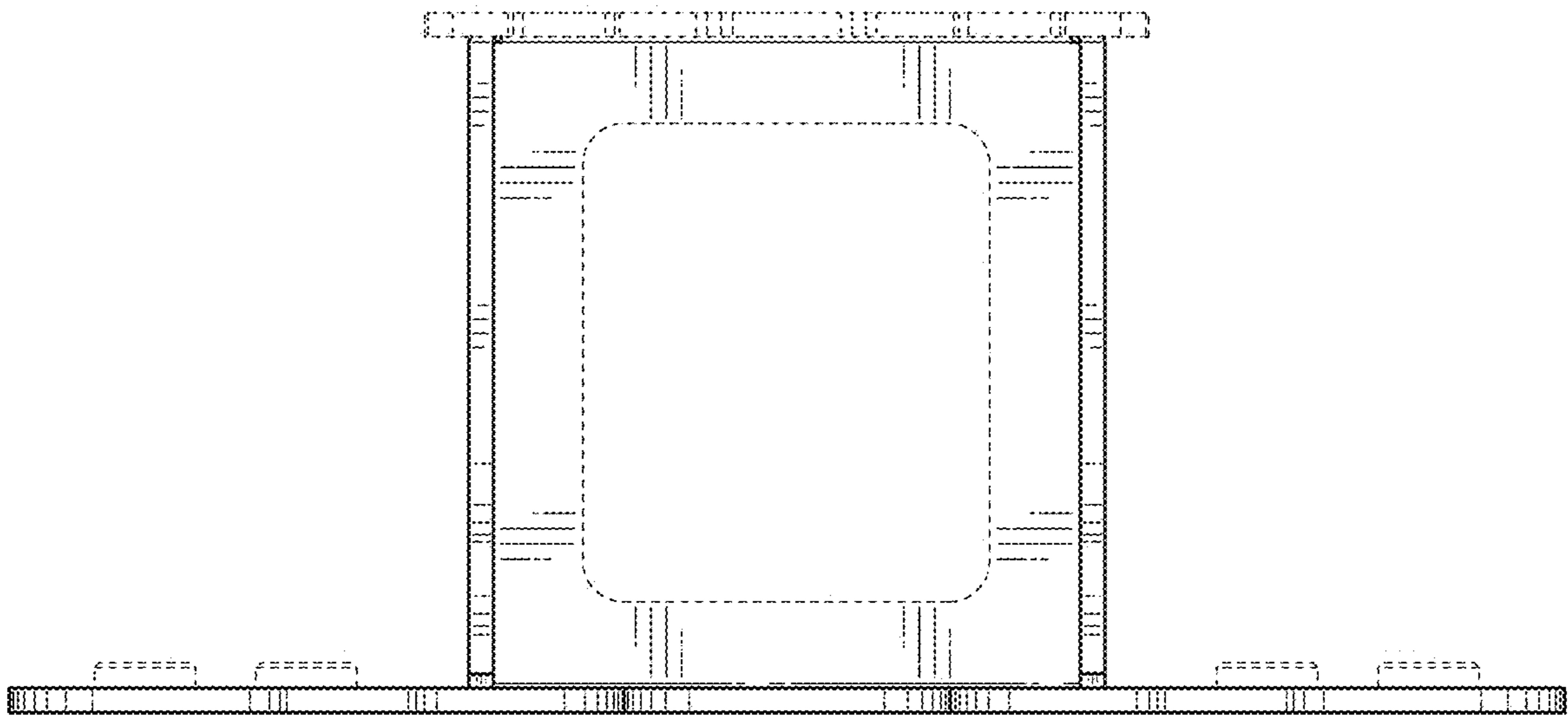


FIG. 6

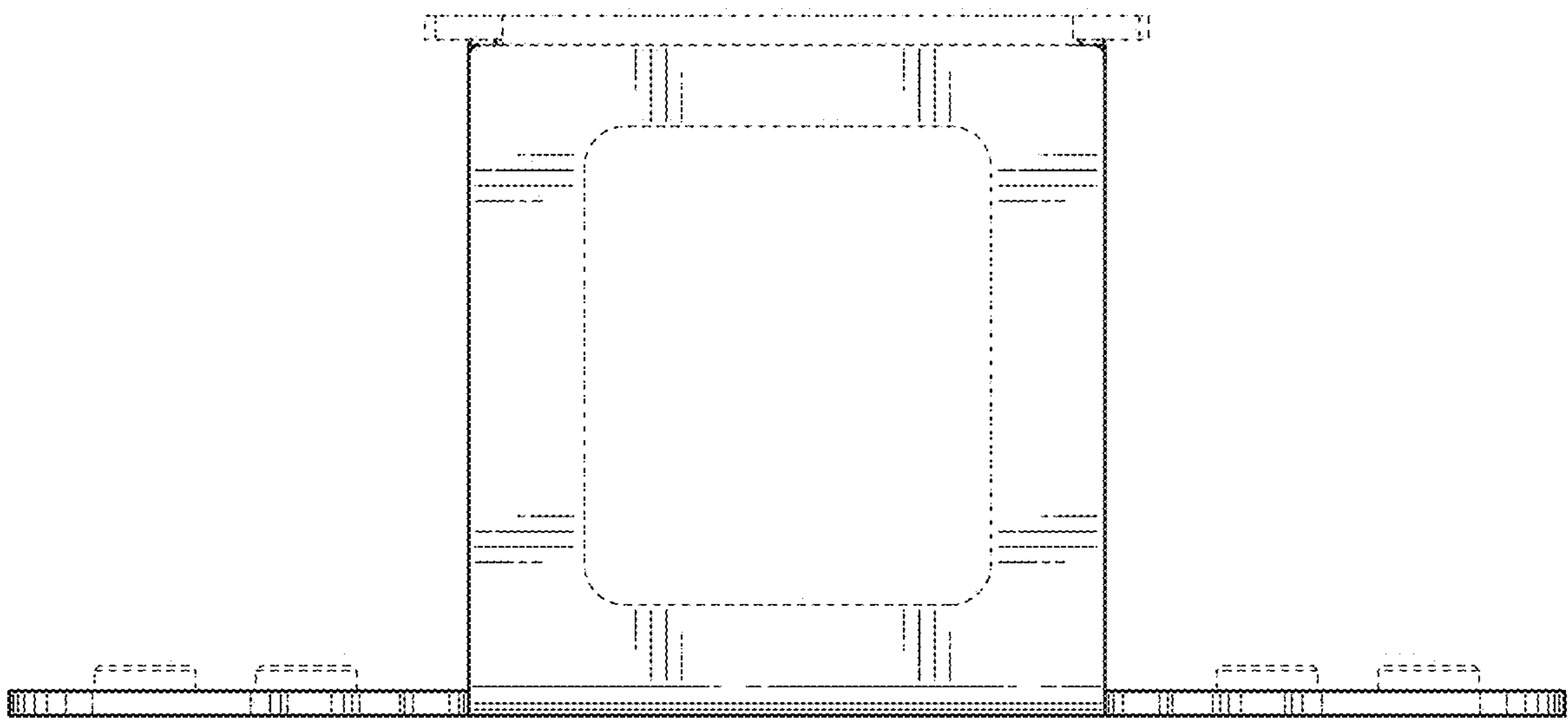


FIG. 7