



US00D956052S

(12) **United States Design Patent**
Chen et al.

(10) **Patent No.:** **US D956,052 S**
(45) **Date of Patent:** **** Jun. 28, 2022**

(54) **TABLET COMPUTER STAND**
(71) Applicant: **BEIJING XIAOMI MOBILE SOFTWARE CO., LTD.**, Beijing (CN)
(72) Inventors: **Hongyu Chen**, Beijing (CN); **Shuo Liu**, Beijing (CN); **Long Chen**, Beijing (CN)
(73) Assignee: **BEIJING XIAOMI MOBILE SOFTWARE CO., LTD.**, Beijing (CN)

(**) Term: **15 Years**

(21) Appl. No.: **29/737,814**

(22) Filed: **Jun. 11, 2020**

(30) **Foreign Application Priority Data**

Dec. 27, 2019 (CN) 201930736525.5

(51) **LOC (13) Cl.** **14-03**

(52) **U.S. Cl.**
USPC **D14/447**

(58) **Field of Classification Search**
USPC D14/447, 432, 434, 439, 440, 451, 452, D14/457, 239, 253; D8/363, 373, 380; D6/406.3, 406.4, 406.5, 406.6; D12/415; D13/108
CPC A47B 21/04; A47B 2097/006; A47B 2097/005; A47B 2023/049; A45C 2011/002; A45C 2011/003; F16M 2200/00; F16M 13/00
See application file for complete search history.

(56) **References Cited**

U.S. PATENT DOCUMENTS

D642,121 S * 7/2011 Lee D13/108
D647,525 S * 10/2011 Seto D14/434

D657,741 S * 4/2012 Fahrendorff D13/108
D659,139 S * 5/2012 Gengler D14/392
D672,350 S * 12/2012 Gioscia D14/434
D678,885 S * 3/2013 Gengler D14/447
D690,262 S * 9/2013 Huang D13/103
D700,614 S * 3/2014 Hamblet D14/447
D701,214 S * 3/2014 Gengler D14/447
D726,187 S * 4/2015 Young D14/434
D757,730 S * 5/2016 Fletcher D14/434
D779,493 S * 2/2017 Eliyahu D14/434
D795,876 S * 8/2017 Fletcher D14/434

* cited by examiner

Primary Examiner — Angela J Lee

(74) *Attorney, Agent, or Firm* — Syncoda LLC; Feng Ma

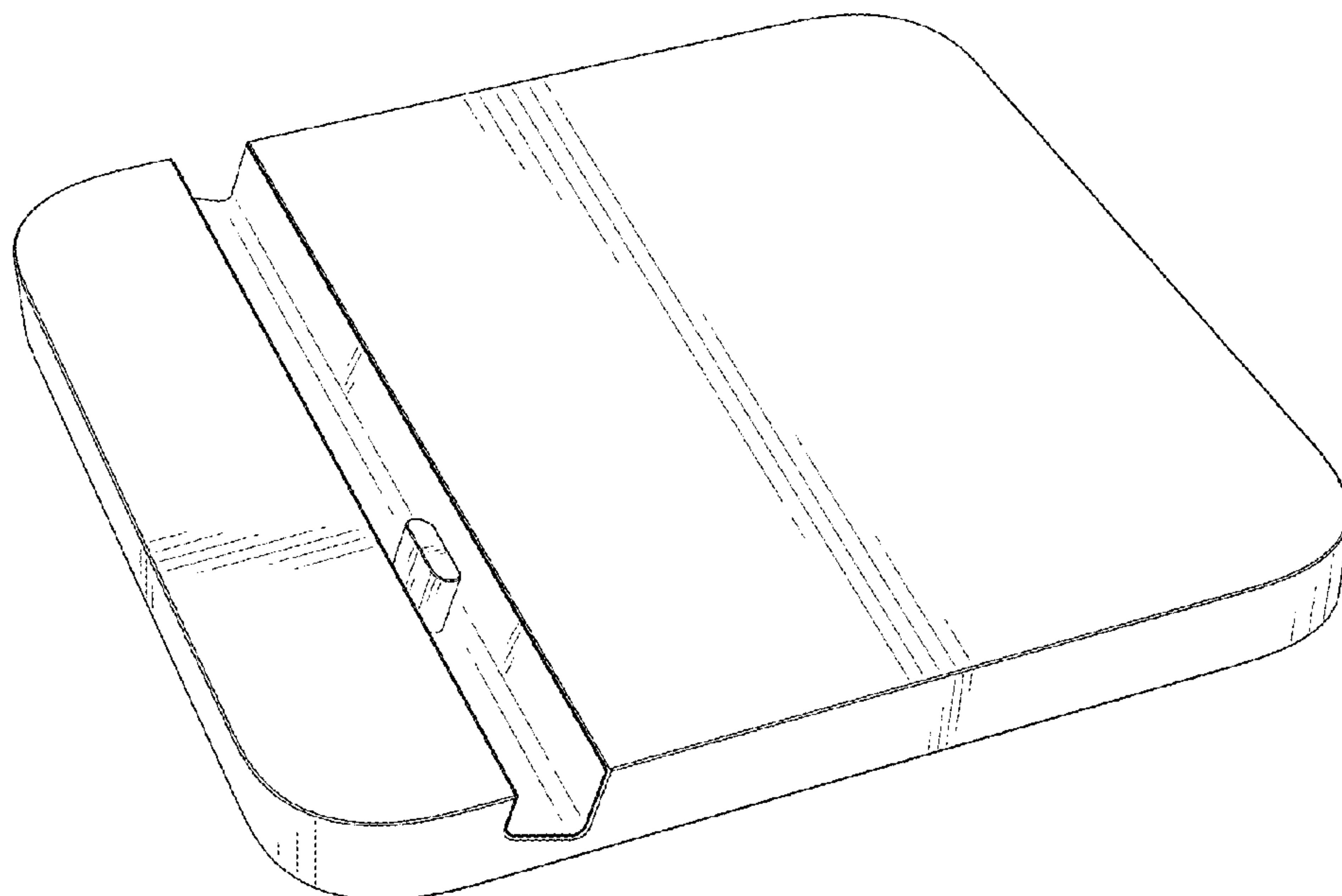
(57) **CLAIM**

The ornamental design for a tablet computer stand, as shown and described.

DESCRIPTION

FIG. 1 is a front view of a tablet computer stand showing the new design;
FIG. 2 is a back view thereof;
FIG. 3 is a left side view thereof;
FIG. 4 is a right side view thereof;
FIG. 5 is a top view thereof;
FIG. 6 is a bottom view thereof;
FIG. 7 is a perspective view thereof;
FIG. 8 is another perspective view thereof;
FIG. 9 is a perspective view thereof showing the state in use; and,
FIG. 10 is another perspective view thereof showing the state in use.
The broken lines showing the tablet computer are for the purpose of illustrating environment and form no part of the claimed design.

1 Claim, 10 Drawing Sheets



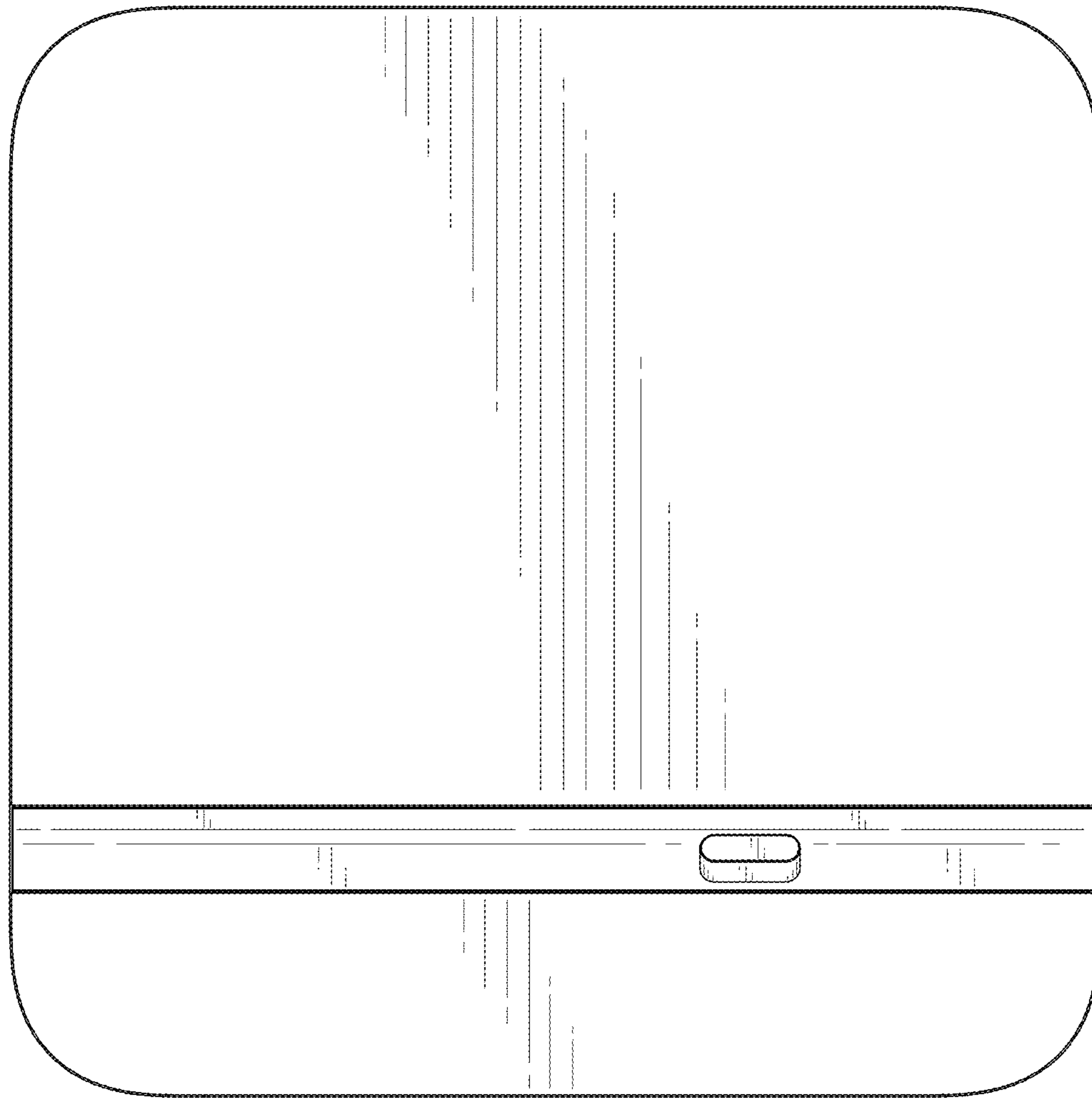


FIG. 1

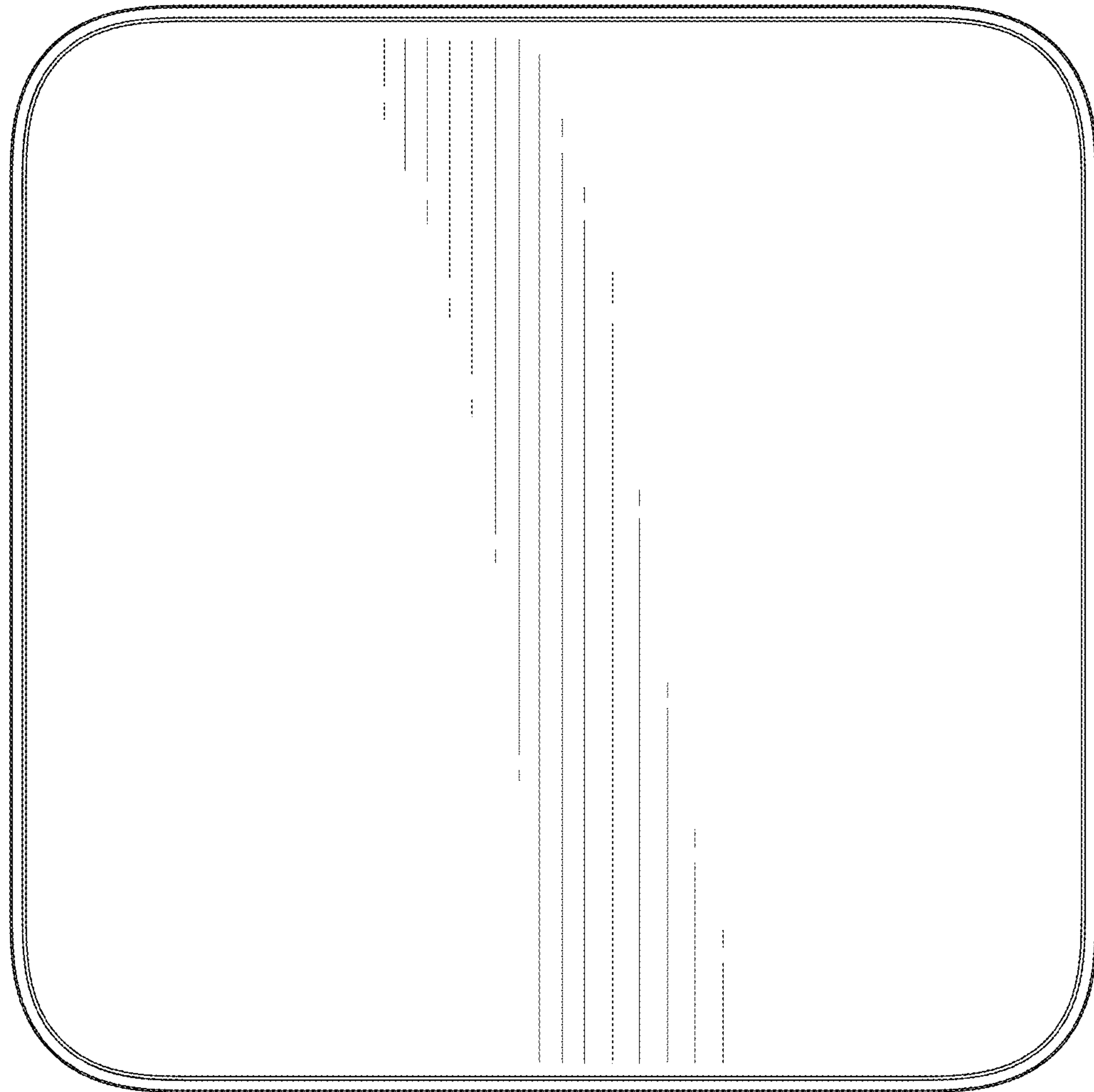


FIG. 2

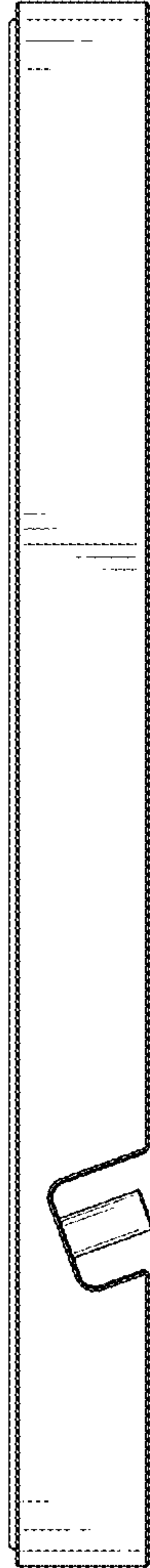


FIG. 3

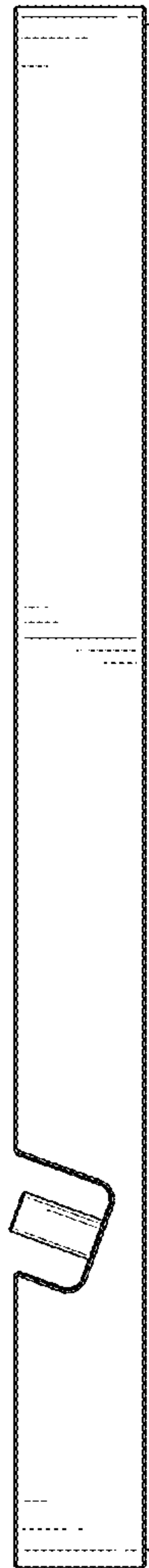


FIG. 4

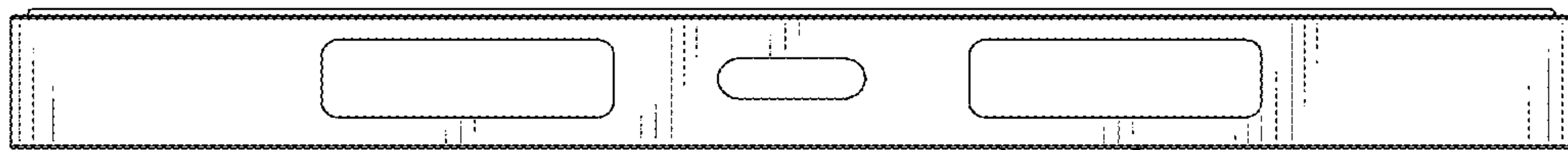


FIG. 5



FIG. 6

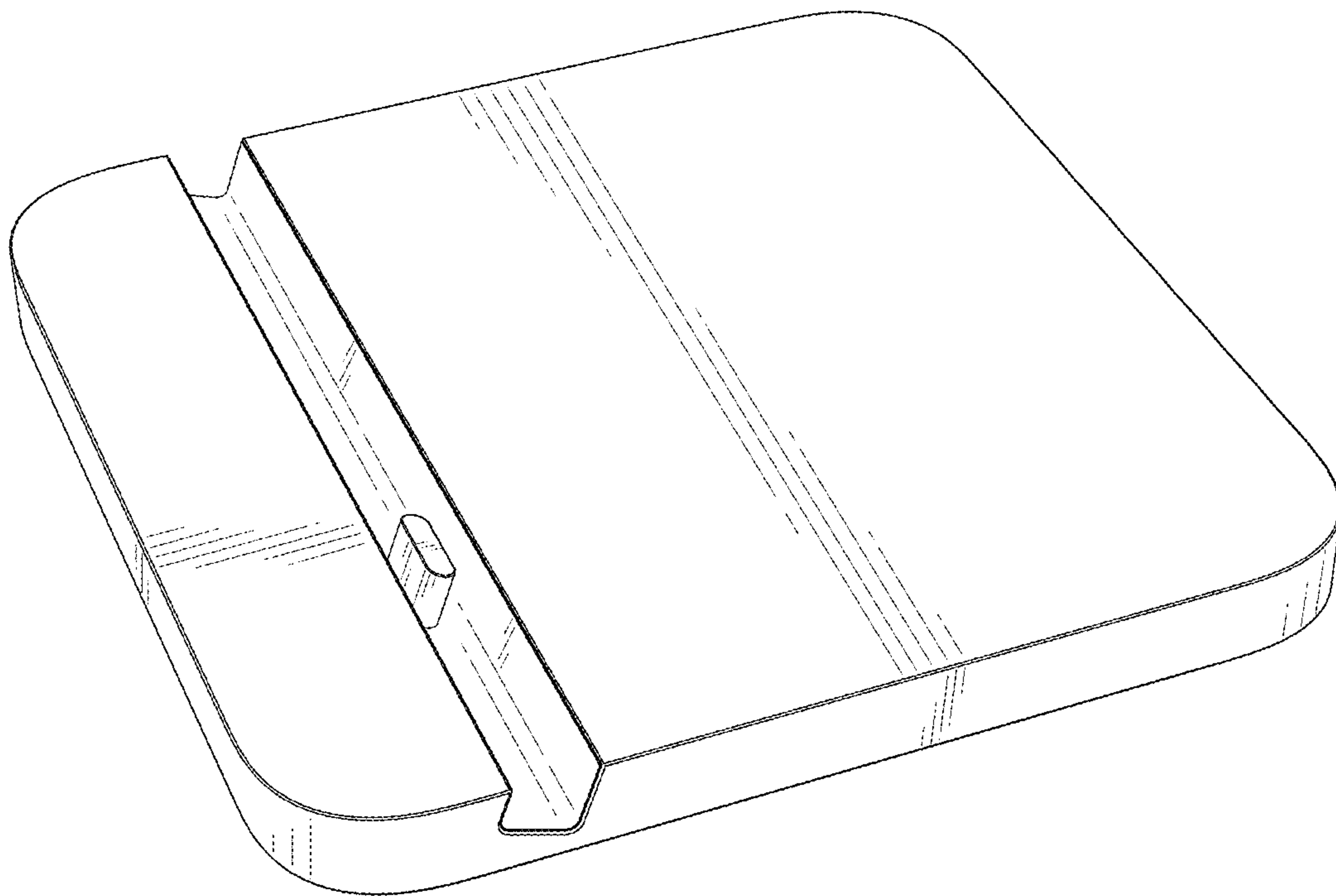


FIG. 7

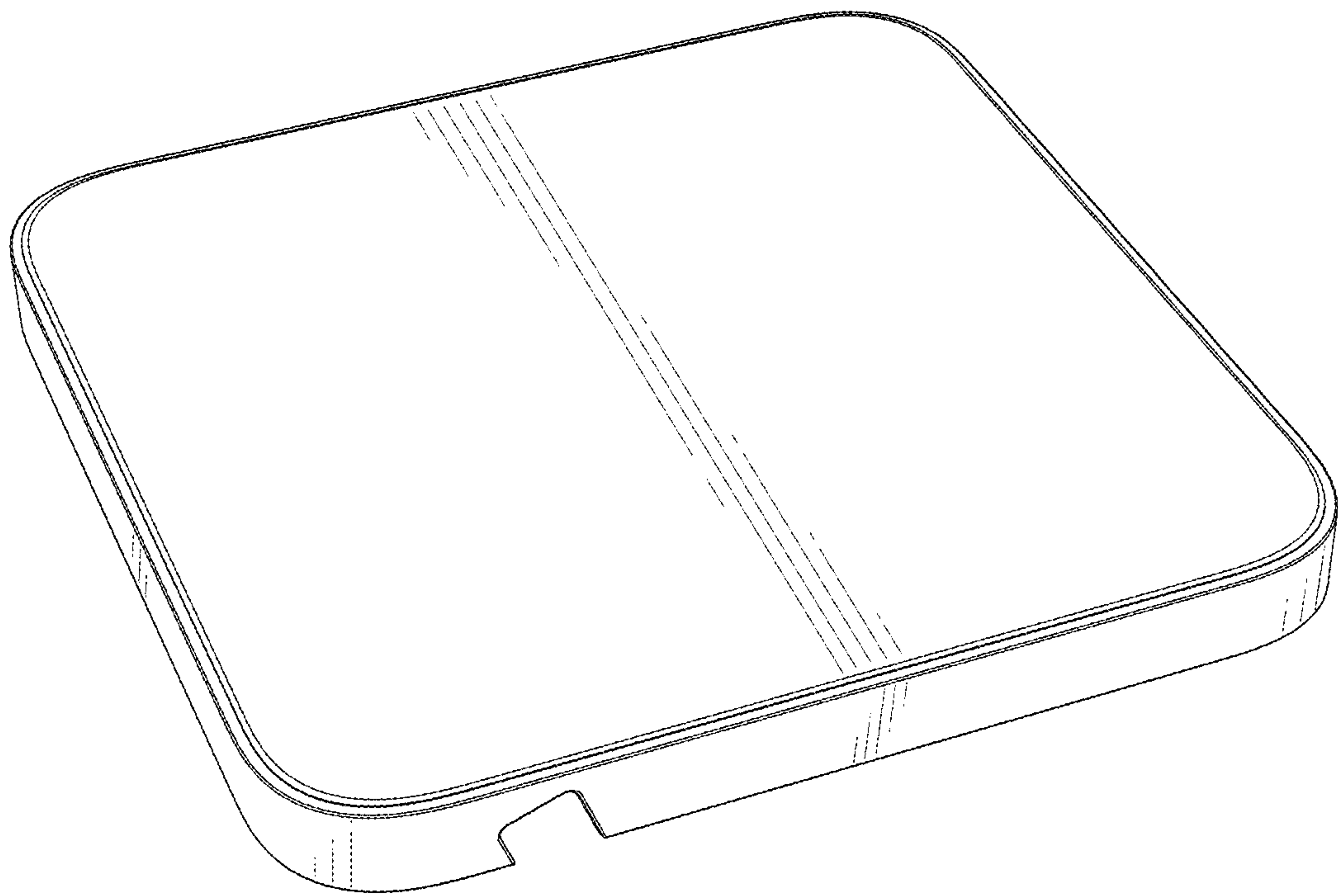


FIG. 8

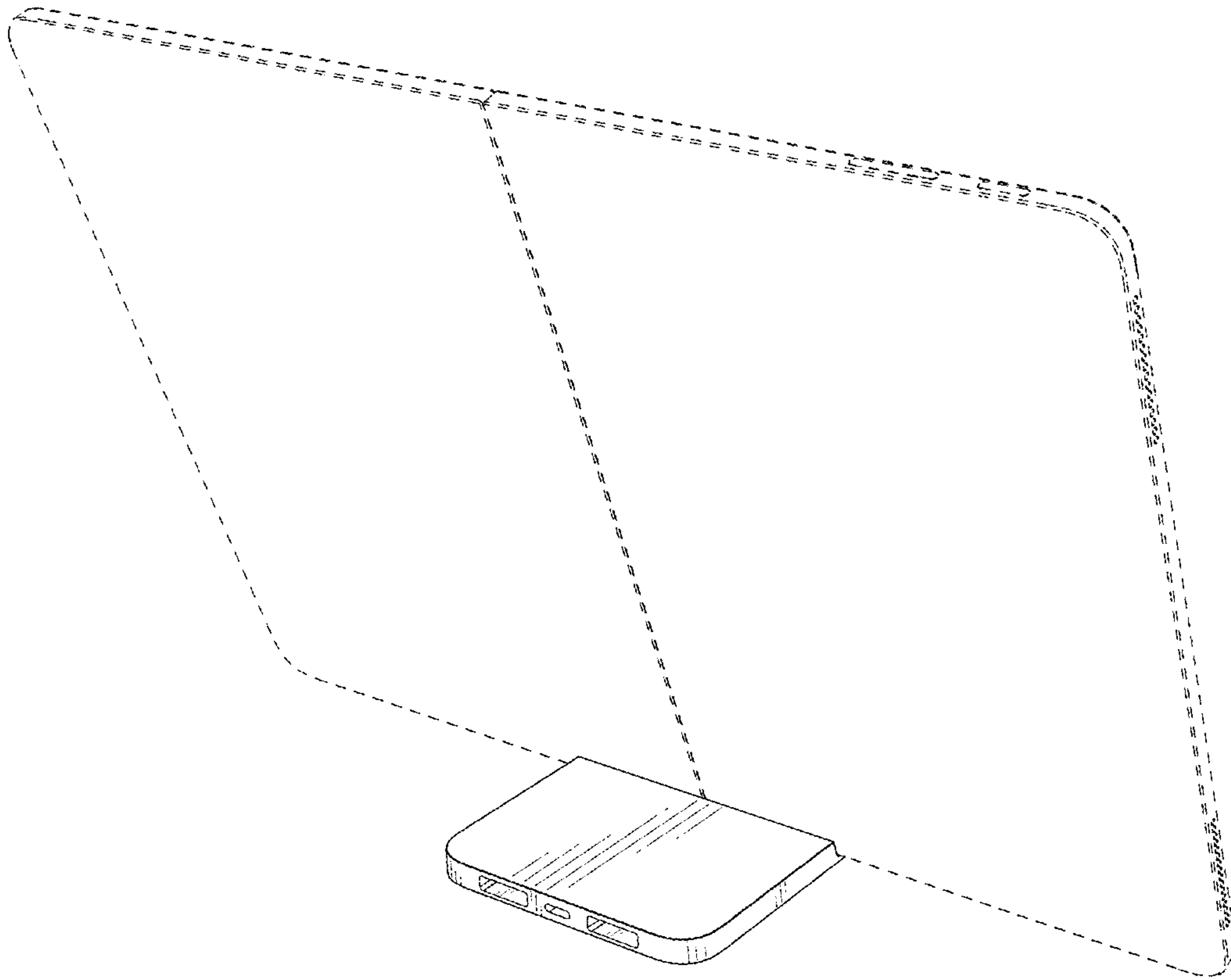


FIG. 9

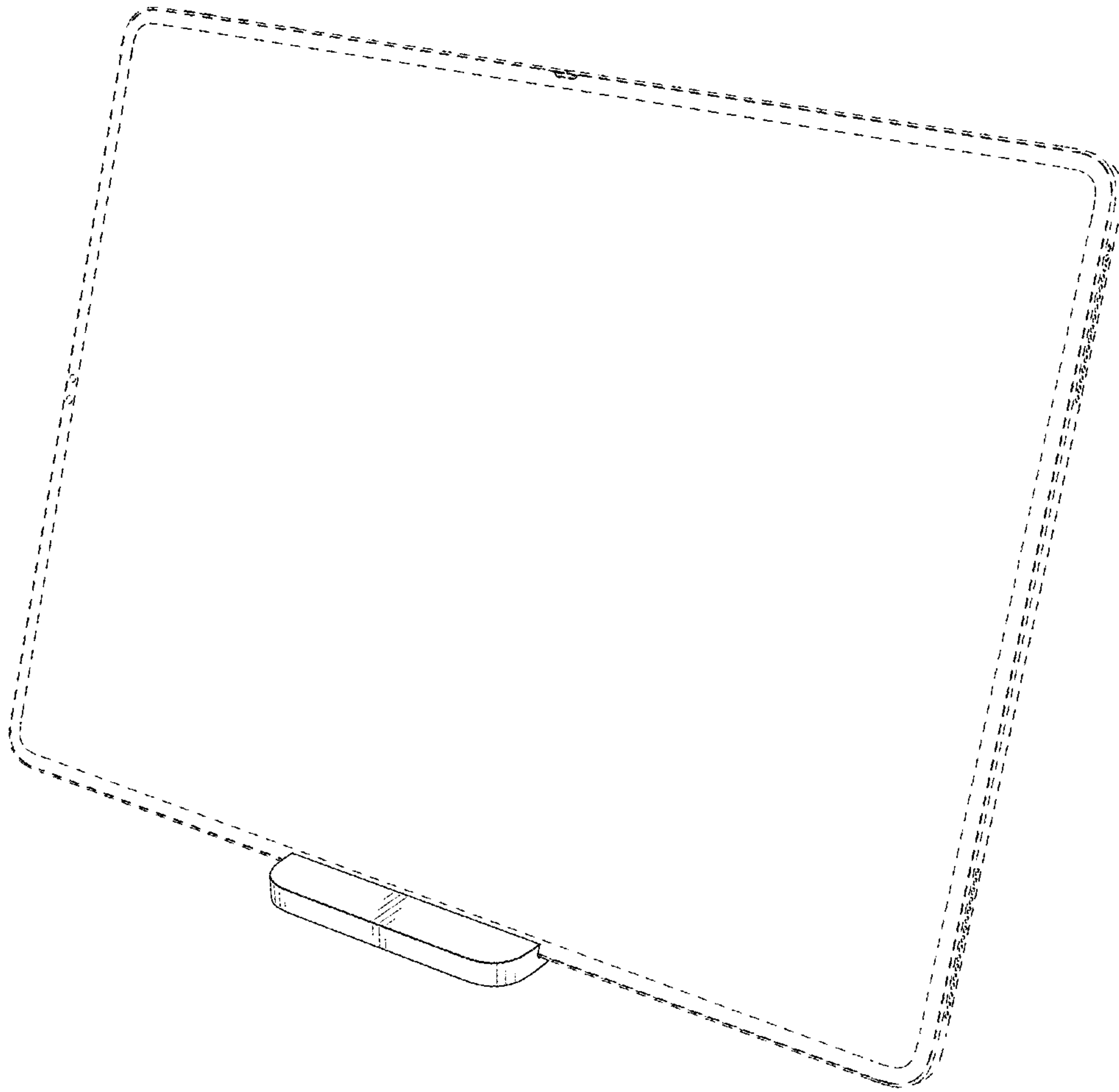


FIG. 10