



US00D956051S

(12) **United States Design Patent**
Peng

(10) **Patent No.:** **US D956,051 S**
(45) **Date of Patent:** **** Jun. 28, 2022**

- (54) **BASE OF SCANNER**
- (71) Applicant: **AVISION INC.**, Hsinchu (TW)
- (72) Inventor: **Chao-Yu Peng**, Hsinchu (TW)
- (73) Assignee: **AVISION INC.**, Hsinchu (TW)
- (**) Term: **15 Years**
- (21) Appl. No.: **29/729,846**
- (22) Filed: **Mar. 31, 2020**
- (51) **LOC (13) Cl.** **14-02**
- (52) **U.S. Cl.**
USPC **D14/422**
- (58) **Field of Classification Search**
USPC D14/421-425; D18/40, 36-39, 41,
D18/44-56, 34.3; 235/462, 455, 470,
235/462.43, 482, 483; 358/474, 486, 488,
358/496, 498, 452, 449, 451, 453.1, 1.13,
358/1.16; 318/685, 696; 355/81, 75;
399/405, 367, 379, 380; 382/217;
715/209, 222, 226, 274; 400/613,
400/613.1-613.4, 690.1-690.4, 691-694;
271/264, 127, 131, 117, 118, 162
CPC H04N 1/00; H04N 1/12; H04N 1/00013;
H04N 1/00015; H04N 1/00018; H04N
1/00026; H04N 1/00557; H04N 1/00564;
H04N 1/00567; H04N 1/0057; H04N
1/00572; H04N 1/00586; H04N 1/00588;
H04N 1/00591; H04N 1/00594; H04N
1/00596; H04N 1/00604; H04N 1/00519;
H04N 1/00559; H04N 1/1013; H04N
1/10; H04N 1/00551; H04N 1/00278;
H04N 2201/0081; H04N 2201/0456;
H04N 2201/0446; H04N 2201/00; H04N
2201/0094; H04N 1/00525; H04N
1/0049; H04N 1/00493; H04N 1/00496;
H04N 1/00527; H04N 1/0053; H04N
1/00533; H04N 1/00535; H04N 1/00538;
H04N 1/00541; H04N 1/00543; H04N

1/00037; H04N 1/00092; H04N 1/00702;
H04N 1/02815; H04N 1/4076; H04N
1/40056; H04N 1/02845; G03G 15/0142;
G03G 15/605; G03G 15/602; B65H 5/26;
B65H 5/30; B65H 7/00; B65H 2402/515;
B65H 2402/31; B65H 2511/20; B65H
2511/414; B65H 2511/00194; B65H
2511/00198; B65H 2511/00202; B65H
2511/00206; B65H 2301/00; B65H
2220/04; B65H 3/5261; B65H 2513/42
See application file for complete search history.

(56) **References Cited**

U.S. PATENT DOCUMENTS

D339,154	S	*	9/1993	Fukuda	D18/59
D532,043	S	*	11/2006	Park	D18/50
D607,928	S	*	1/2010	Kim	D18/55
D641,038	S	*	7/2011	Park	D18/55

(Continued)

Primary Examiner — Susan Moon Lee
(74) *Attorney, Agent, or Firm* — Winston Hsu

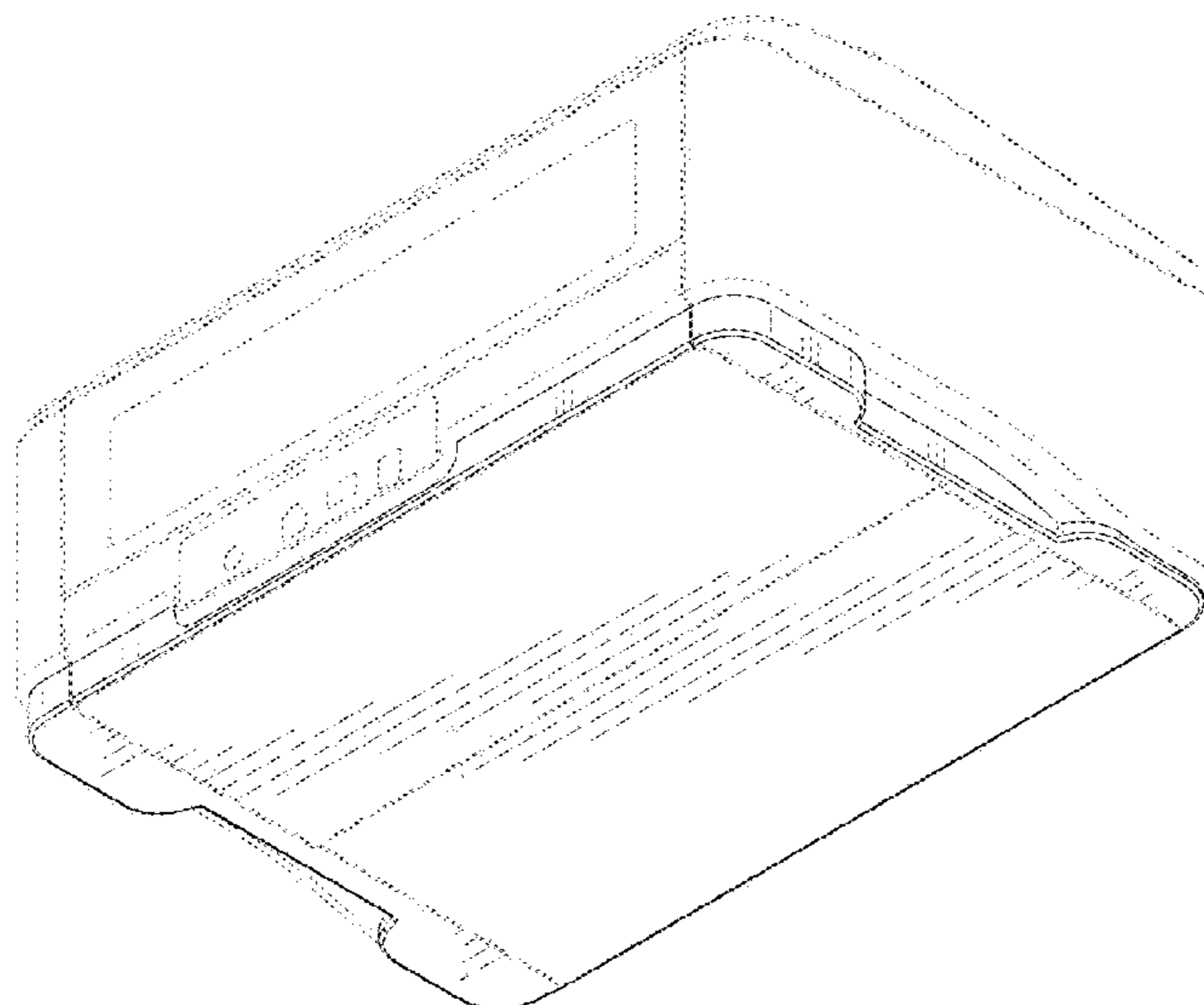
(57) **CLAIM**

The ornamental design for a base of scanner, as shown and described.

DESCRIPTION

FIG. 1 is a bottom, rear, and left side perspective view for a base of scanner showing my new design;
FIG. 2 is a top, front, and right side perspective view thereof;
FIG. 3 is a front elevation view thereof;
FIG. 4 is a rear elevation view thereof;
FIG. 5 is a left side elevation view thereof;
FIG. 6 is a right side elevation view thereof;
FIG. 7 is a top plan view thereof; and,
FIG. 8 is a bottom plan view thereof.
The broken lines depict portions of the base of scanner that form no part of the claimed design.

1 Claim, 8 Drawing Sheets



(56)

References Cited

U.S. PATENT DOCUMENTS

D643,462	S	*	8/2011	Yamashita	D18/50
D669,082	S	*	10/2012	Sato	D14/425
D674,435	S	*	1/2013	Inoue	D18/55
D675,673	S	*	2/2013	Sato	D18/50
D696,717	S	*	12/2013	Kim	D18/55
D697,964	S	*	1/2014	Fukasawa	D18/55
D697,967	S	*	1/2014	Fukasawa	D18/55
D698,389	S	*	1/2014	Fukasawa	D18/55
D730,437	S	*	5/2015	Seki	D18/50
D744,031	S	*	11/2015	Tanaka	D18/50
D749,171	S	*	2/2016	Nakagawa	D18/55
D752,138	S	*	3/2016	Seki	D18/50
D758,483	S	*	6/2016	Seki	D18/50
D770,565	S	*	11/2016	Tanaka	D18/50
D771,183	S	*	11/2016	Kim	D18/55
D780,841	S	*	3/2017	Kim	D18/55
D783,712	S	*	4/2017	Kim	D18/55
D790,626	S	*	6/2017	Inada	D18/56
D799,594	S	*	10/2017	Kim	D18/55
D816,766	S	*	5/2018	Chin	D18/55
D864,290	S	*	10/2019	Minami	D18/50
D896,884	S	*	9/2020	Kim	D18/50
D899,514	S	*	10/2020	Chin	D18/50
D899,515	S	*	10/2020	Kim	D18/50
D929,995	S	*	9/2021	Peng	D14/422
D944,891	S	*	3/2022	Inada	D18/53

* cited by examiner

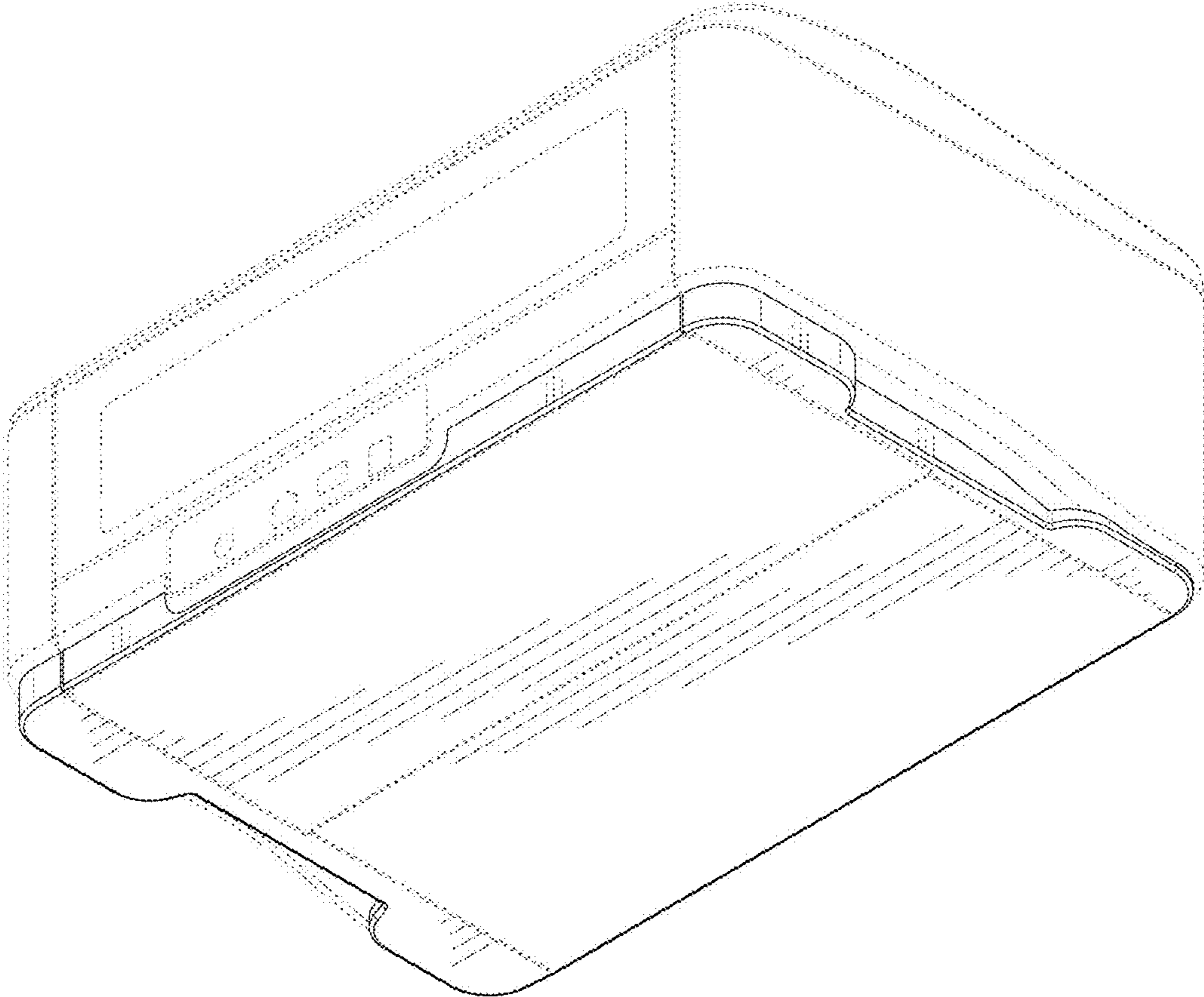


FIG. 1

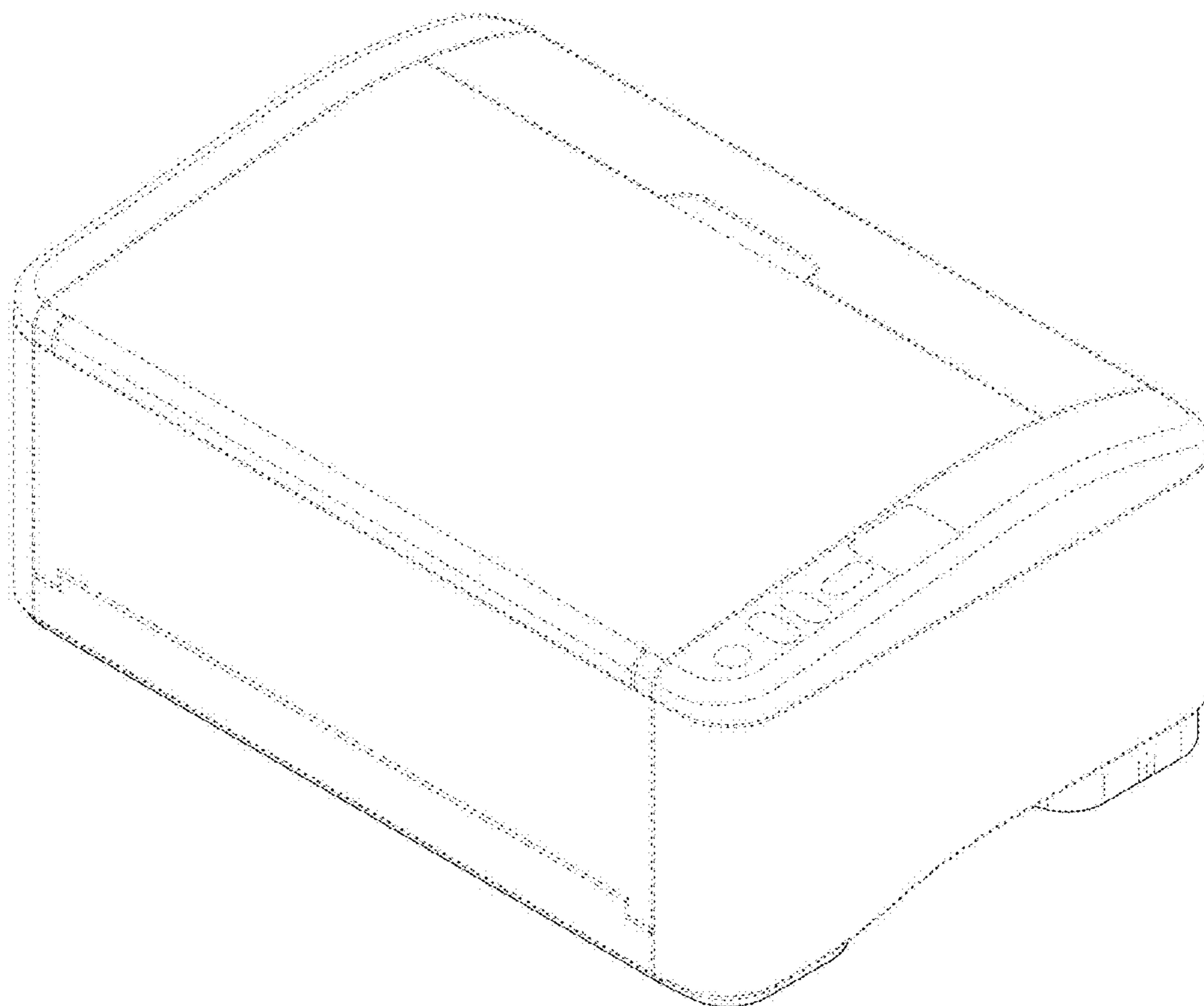


FIG. 2



FIG. 3

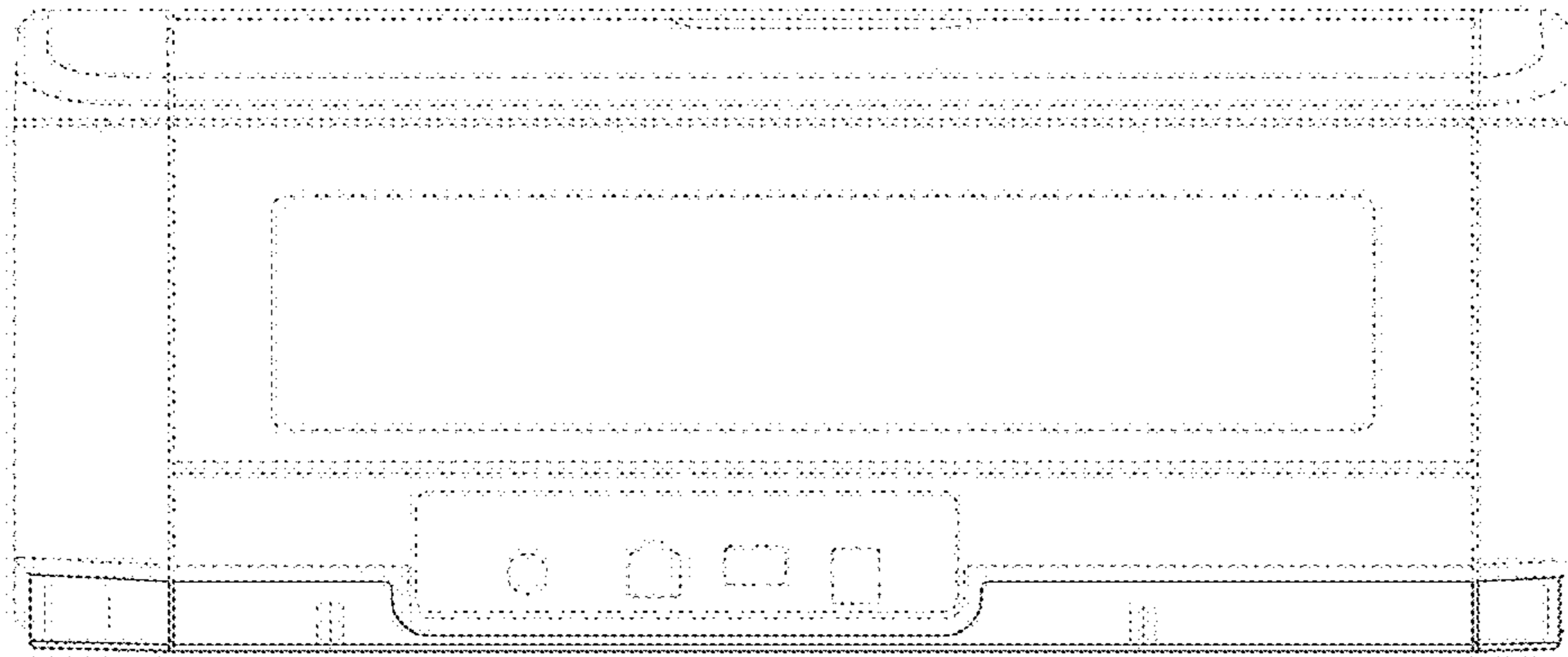


FIG. 4

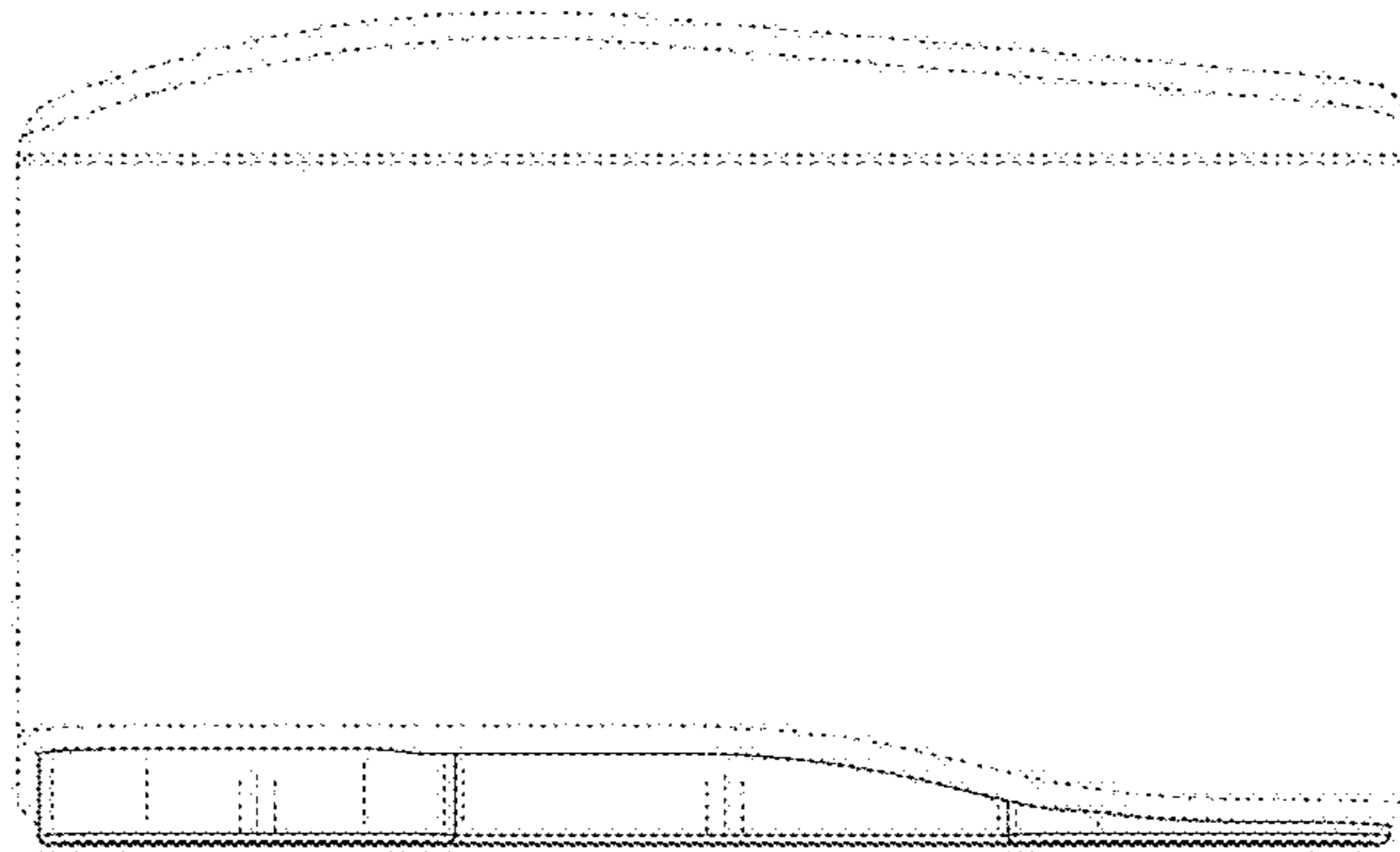


FIG. 5

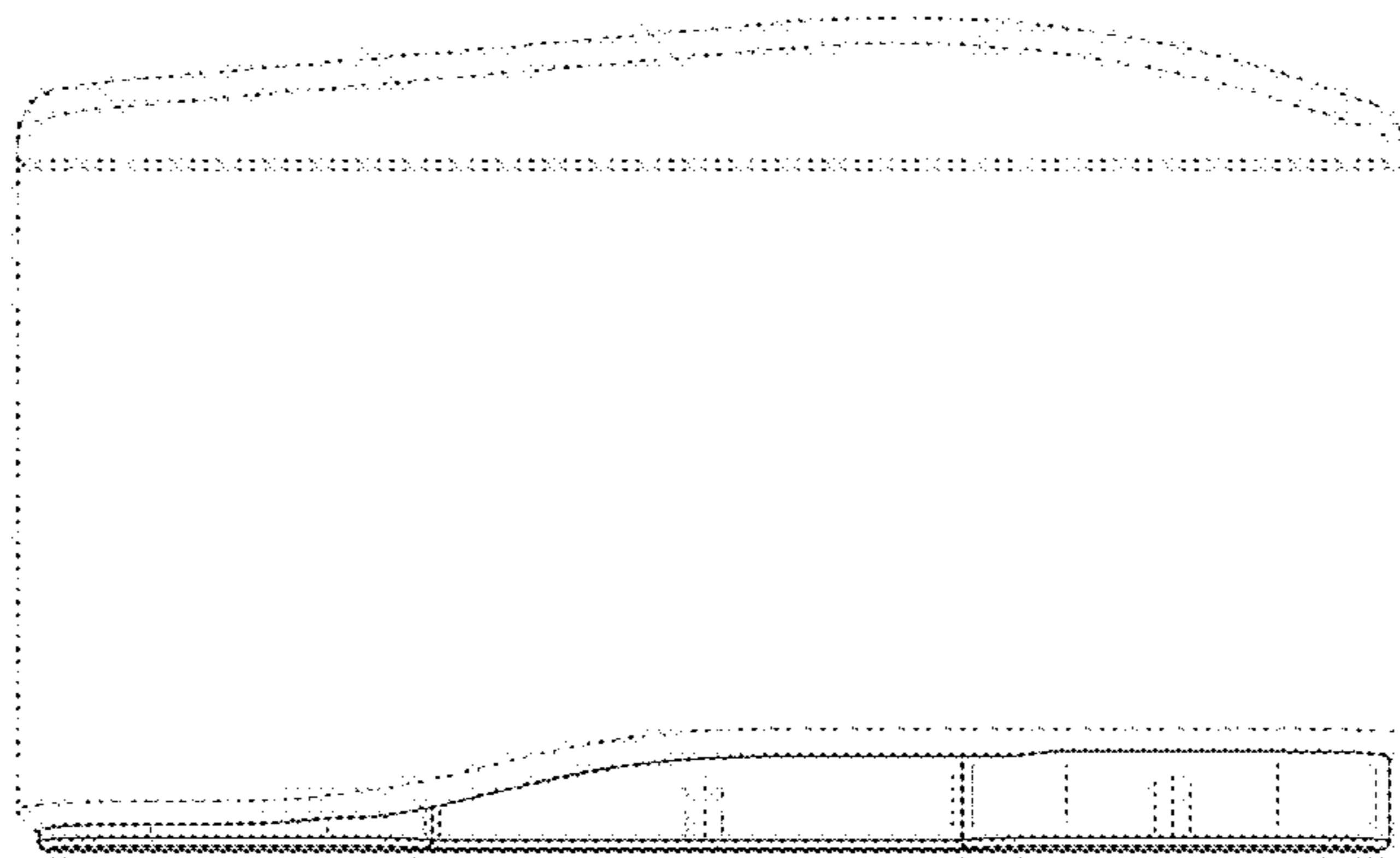


FIG. 6

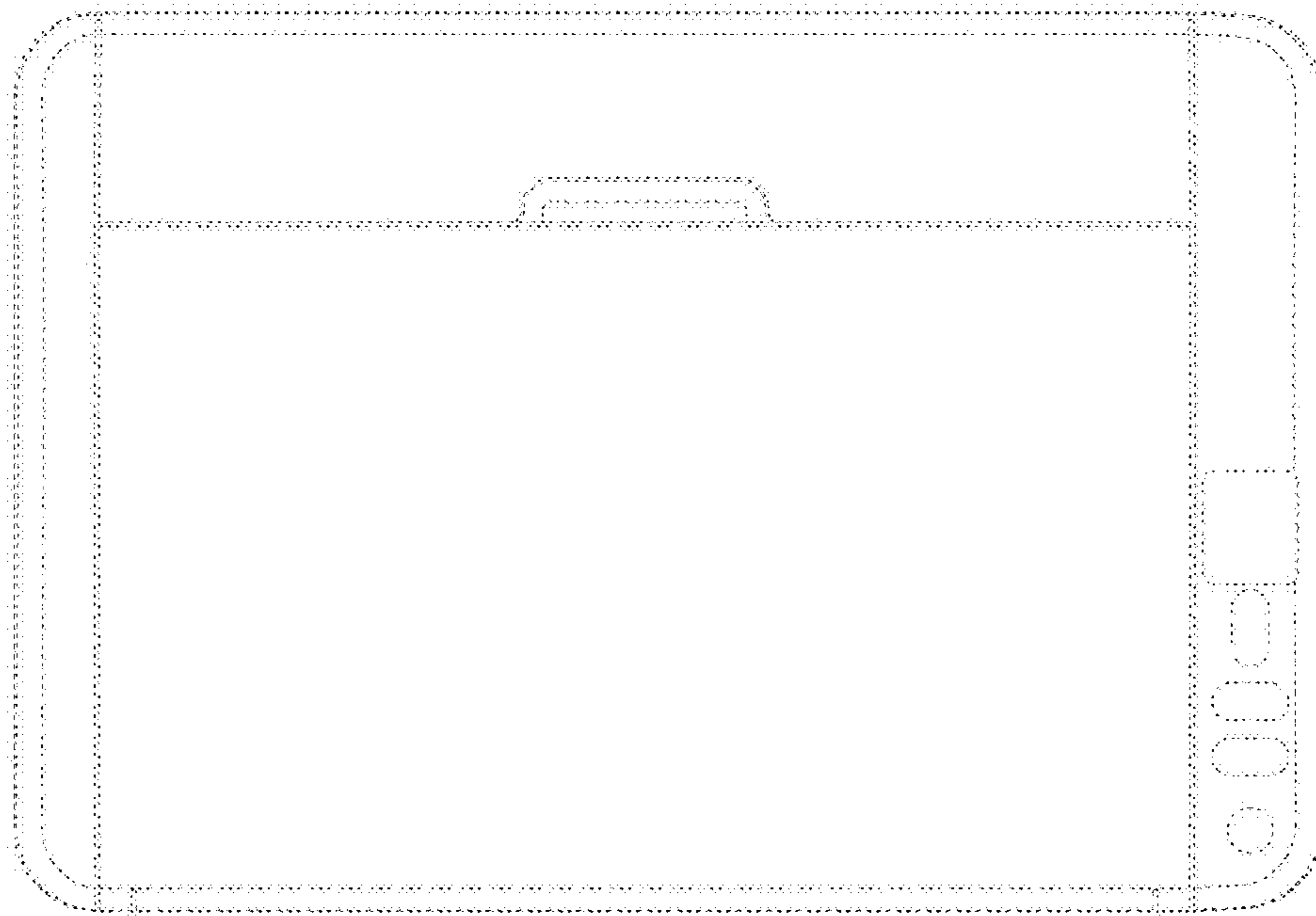


FIG. 7

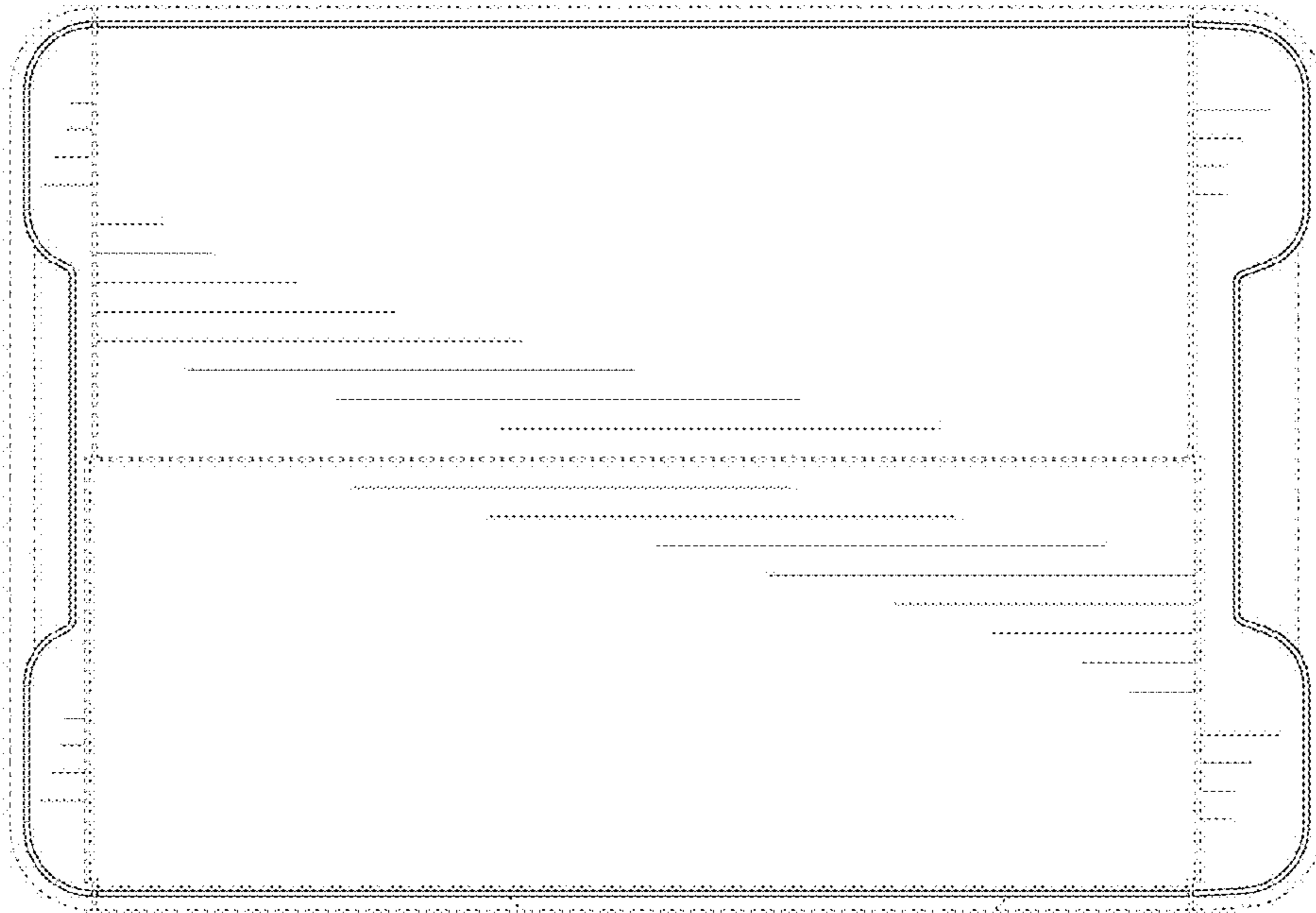


FIG. 8