



US00D956049S

(12) **United States Design Patent**
Liu

(10) **Patent No.:** **US D956,049 S**
(45) **Date of Patent:** **** Jun. 28, 2022**

- (54) **MOUSE JIGGLER**
- (71) Applicant: **Wuhan Fengqinghang Electronic Commerce Co., Ltd., Hubei (CN)**
- (72) Inventor: **Tangbing Liu, Hubei (CN)**
- (73) Assignee: **Wuhan Fengqinghang Electronic Commerce Co., Ltd., Wuhan (CN)**
- (**) Term: **15 Years**
- (21) Appl. No.: **29/802,752**
- (22) Filed: **Aug. 7, 2021**
- (51) **LOC (13) Cl.** **14-02**
- (52) **U.S. Cl.**
USPC **D14/408; D14/402**
- (58) **Field of Classification Search**
USPC D14/402-411, 356, 388, 389, 383-385,
D14/417, 426; 345/156-167; 463/36-38;
358/471, 473; 273/148 B
CPC G06F 3/03543; G06F 2203/0333; G06F
3/039; G06F 3/038; G06F 2203/0384
See application file for complete search history.

- (56) **References Cited**
U.S. PATENT DOCUMENTS
D285,445 S 9/1986 Davis et al.
D304,446 S 11/1989 Hoover et al.
D304,449 S 11/1989 Rodgers et al.
D381,015 S 7/1997 Morrison et al.

D441,372 S	5/2001	McFarlane et al.	
D447,487 S	9/2001	McFarlane et al.	
D483,765 S *	12/2003	Ma	D14/408
D506,199 S *	6/2005	Huang	D14/408
D513,258 S *	12/2005	Huang	D14/408
D667,408 S *	9/2012	Lim	D14/408
D737,274 S *	8/2015	Kuo	D14/408
D863,302 S *	10/2019	Cheung	D14/408
D872,088 S *	1/2020	Turksu	D14/408
D885,397 S	5/2020	Sun	
D890,178 S *	7/2020	Xu	D14/408
D898,741 S *	10/2020	Wolfson	D14/408
D904,407 S *	12/2020	Xu	D14/408
D911,339 S *	2/2021	Sitoh	D14/408
D934,246 S *	10/2021	Ge	D21/333

* cited by examiner

Primary Examiner — Austin Murphy

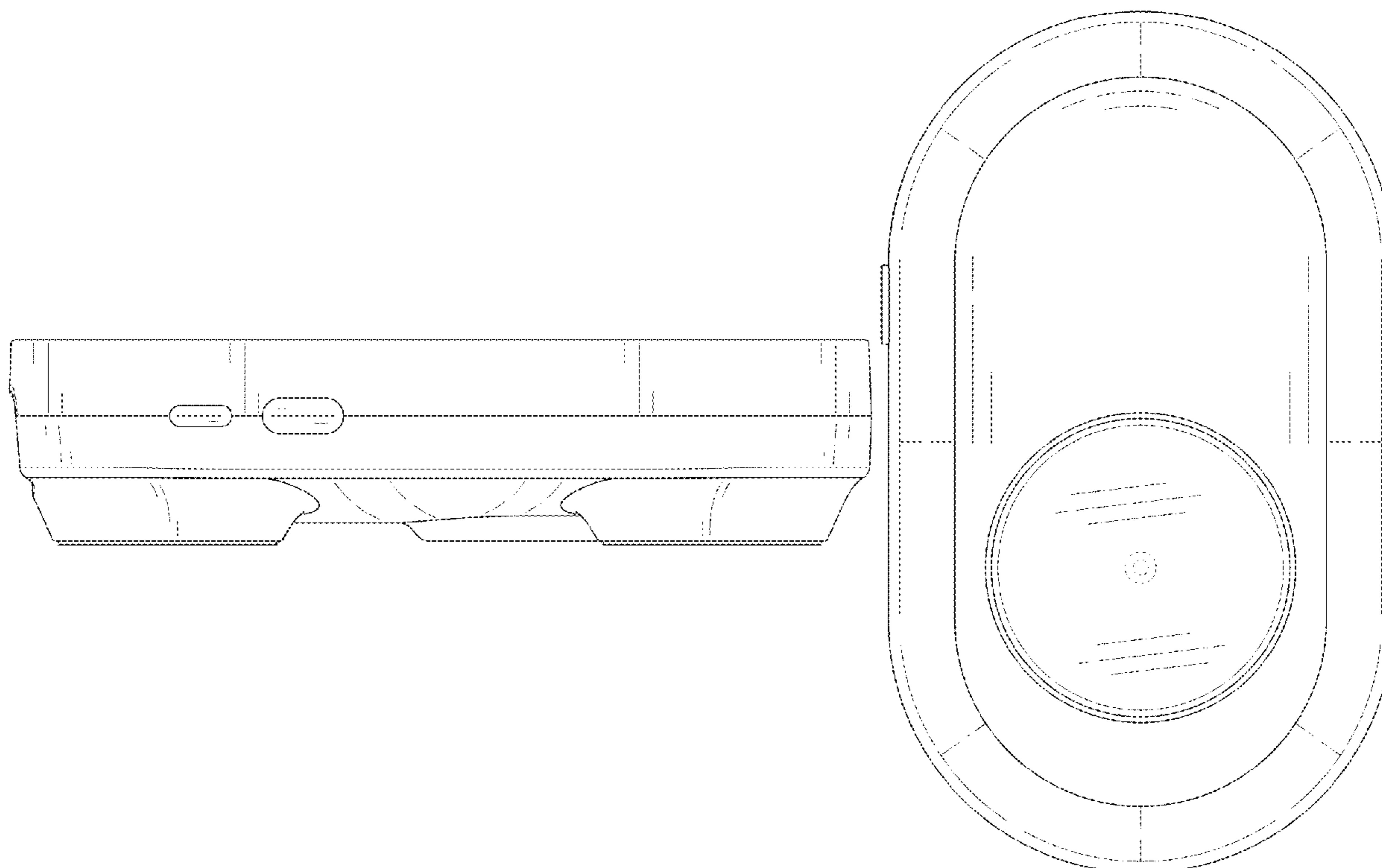
(57) **CLAIM**

The ornamental design for a mouse jiggler, as shown and described.

DESCRIPTION

FIG. 1 is a perspective view of a mouse jiggler, showing my design.
 FIG. 2 is a front elevation view thereof.
 FIG. 3 is a rear elevation view thereof.
 FIG. 4 is a left side elevation view thereof.
 FIG. 5 is a right side elevation view thereof.
 FIG. 6 is a top plan view thereof; and,
 FIG. 7 is a bottom plan view thereof.

1 Claim, 7 Drawing Sheets



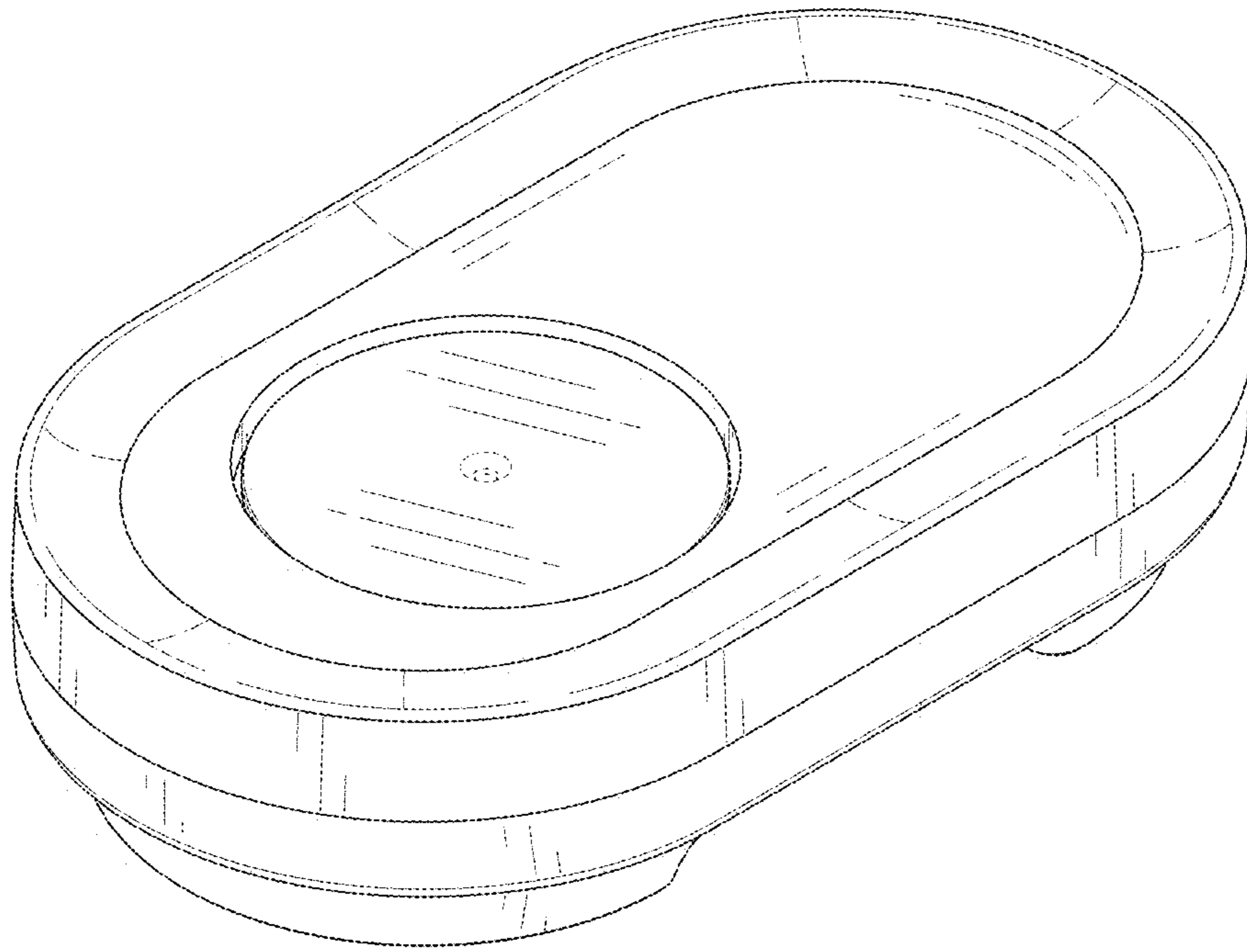


FIG. 1

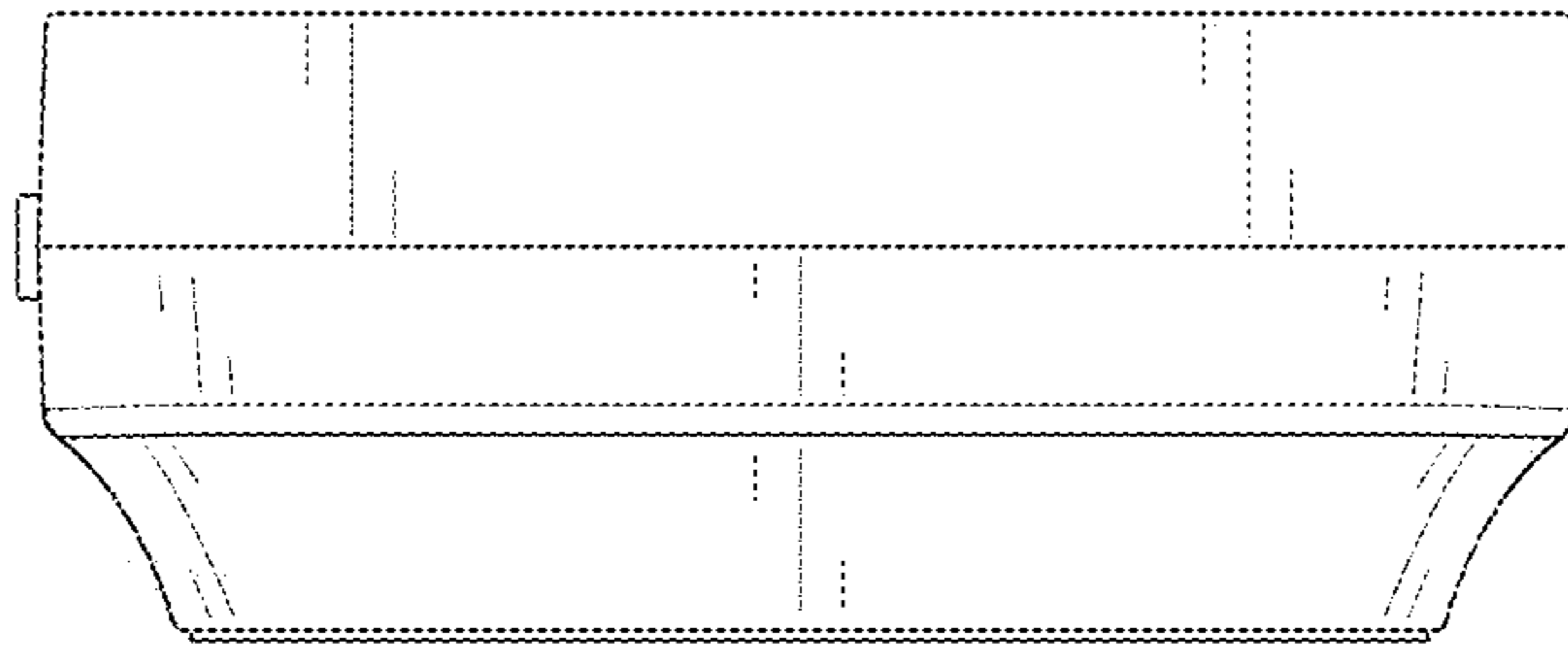


FIG.2

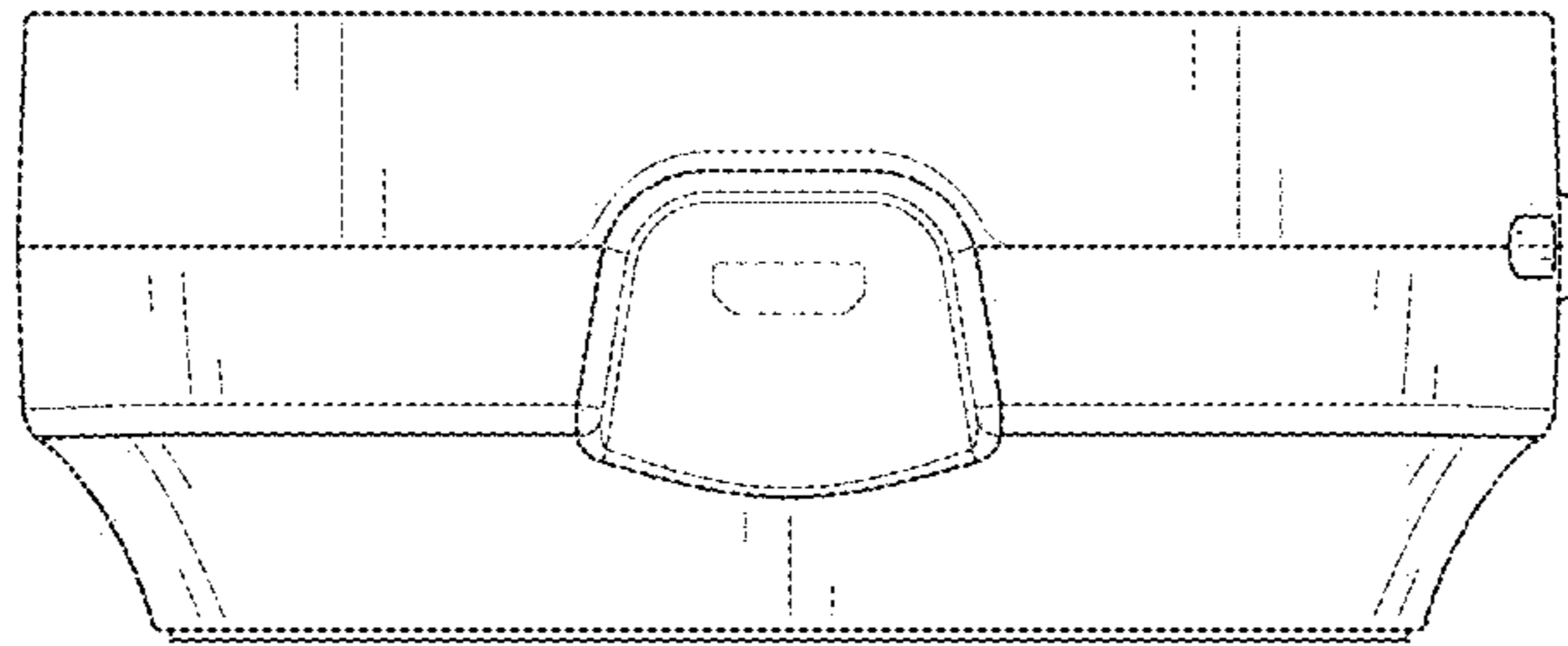


FIG.3

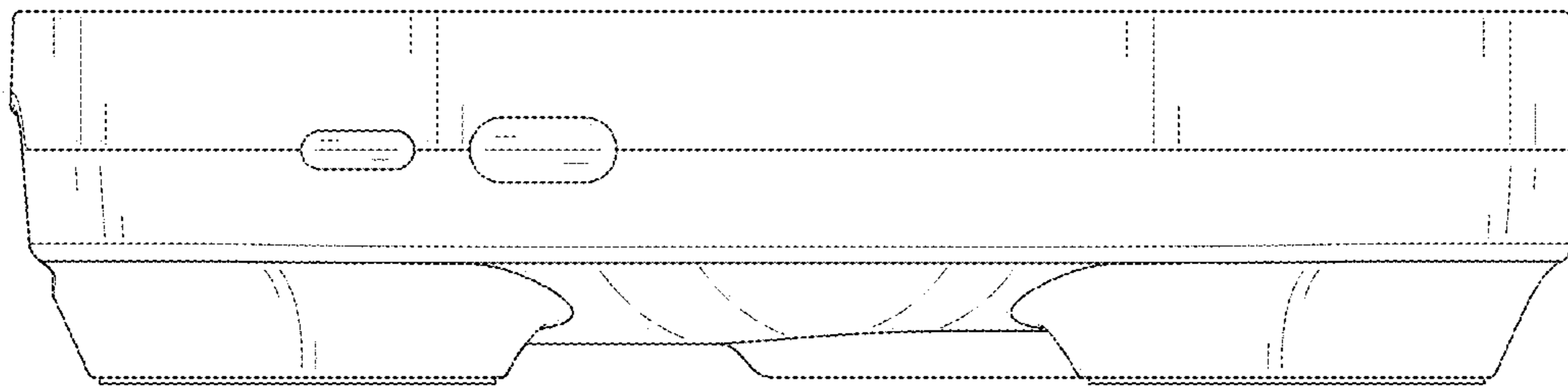


FIG.4

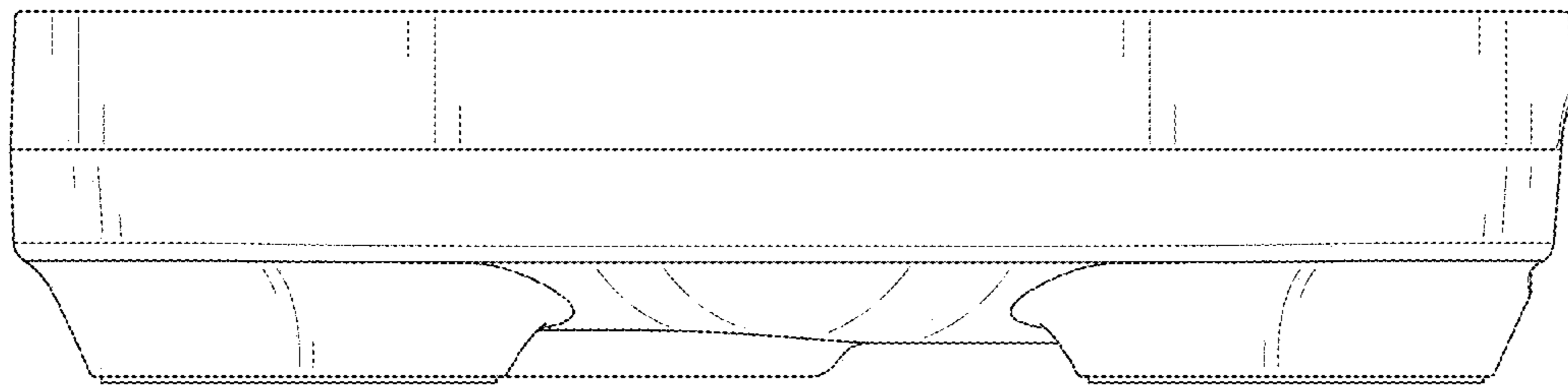


FIG.5

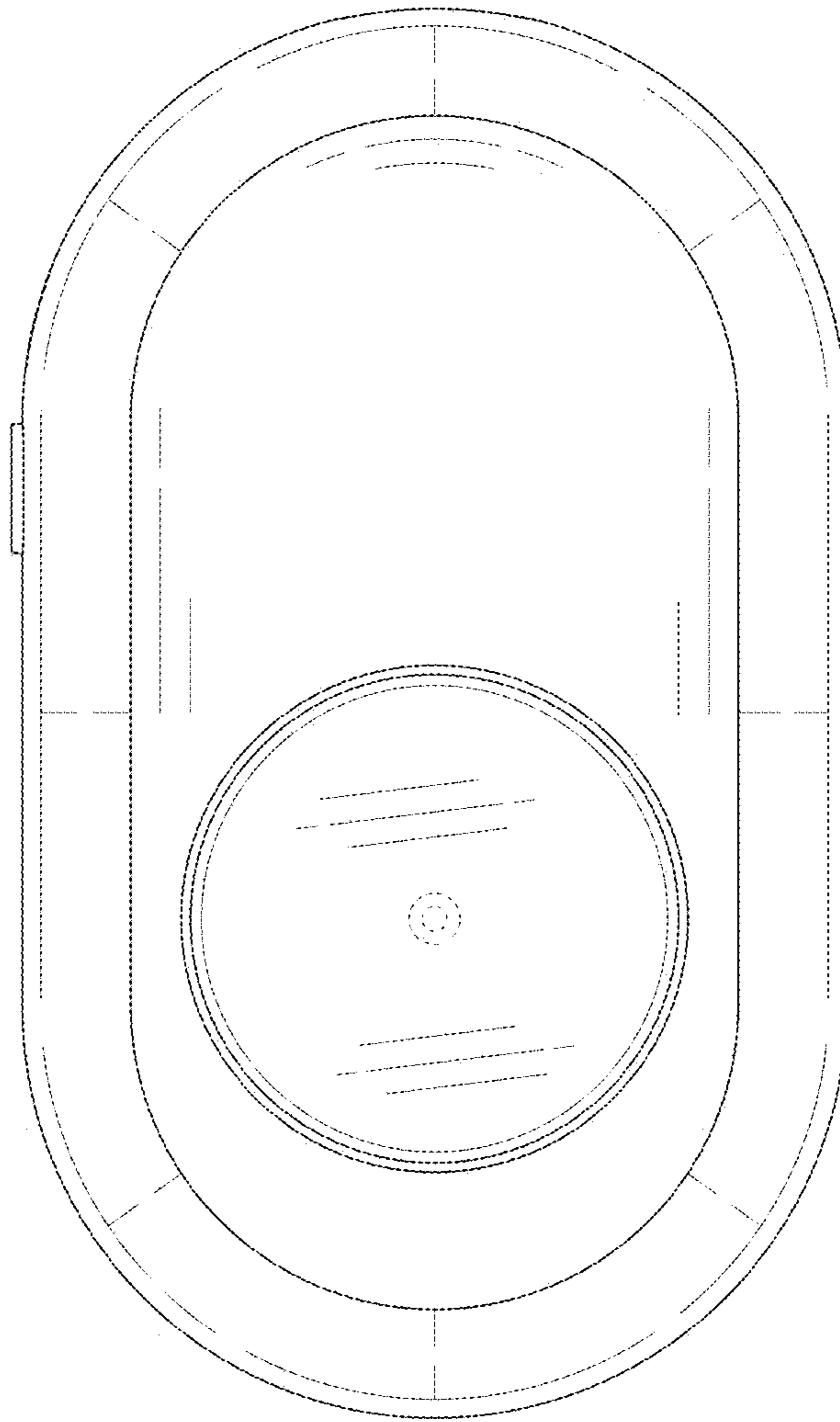


FIG. 6

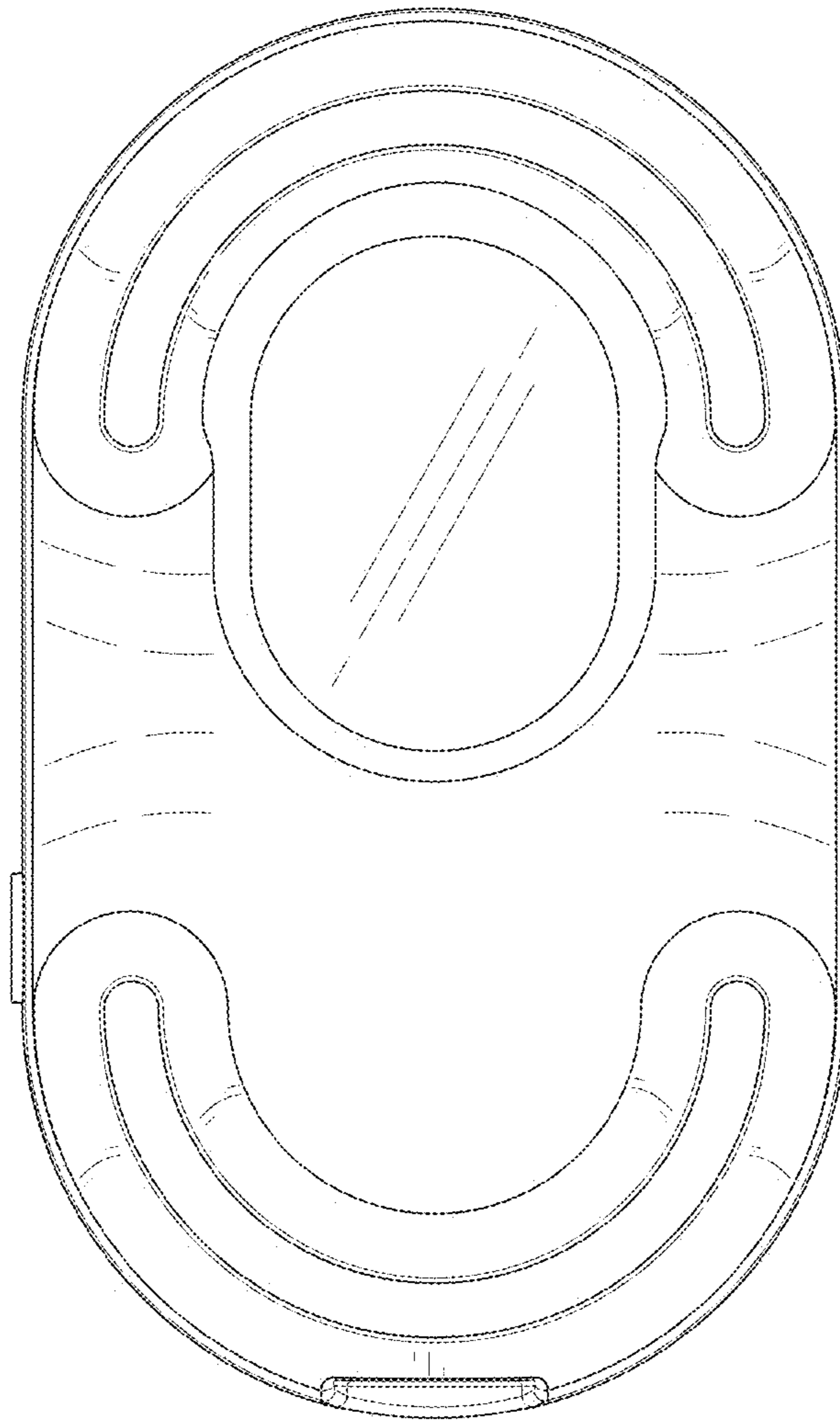


FIG. 7