



US00D956048S

(12) **United States Design Patent**
Dubreucq et al.

(10) **Patent No.:** **US D956,048 S**

(45) **Date of Patent:** **** Jun. 28, 2022**

(54) **COMPUTER MOUSE**

(71) Applicant: **Logitech Europe S.A.**, Lausanne (CH)

(72) Inventors: **Maxime Dubreucq**, San Francisco, CA (US); **Tony Mankit Kan**, Burlingame, CA (US); **Ram Chaturabul**, Milpitas, CA (US); **Libao Wu**, Fremont, CA (US); **Gavin James McGlynn**, Dublin (IE); **Gireg Emmanuel Mickaël Jappé**, Zhubei (TW)

(73) Assignee: **Logitech Europe S.A.**, Lausanne (CH)

(**) Term: **15 Years**

(21) Appl. No.: **29/736,046**

(22) Filed: **May 27, 2020**

(51) **LOC (13) Cl.** **14-03**

(52) **U.S. Cl.**
USPC **D14/402**

(58) **Field of Classification Search**
USPC D14/402–411, 356, 388, 389, 383–385,
D14/417, 426; 345/156–167; 463/36–38;
358/471, 473; 273/148 B
CPC G06F 3/03543; G06F 2203/0333; G06F
3/039; G06F 3/038; G06F 2203/0384
See application file for complete search history.

(56) **References Cited**

U.S. PATENT DOCUMENTS

D645,863 S * 9/2011 Lacotta D14/402
D657,360 S * 4/2012 Kujawski D14/402

D762,646 S * 8/2016 Chong D14/409
D793,393 S * 8/2017 Jeong D14/402
D813,869 S * 3/2018 Hu D14/402
D830,361 S * 10/2018 Jin D14/402
D903,668 S * 12/2020 Carey D14/402
D903,679 S * 12/2020 Xu D14/410
D925,537 S * 7/2021 Carey D14/409

* cited by examiner

Primary Examiner — Austin Murphy

(74) *Attorney, Agent, or Firm* — Kilpatrick Townsend & Stockton LLP

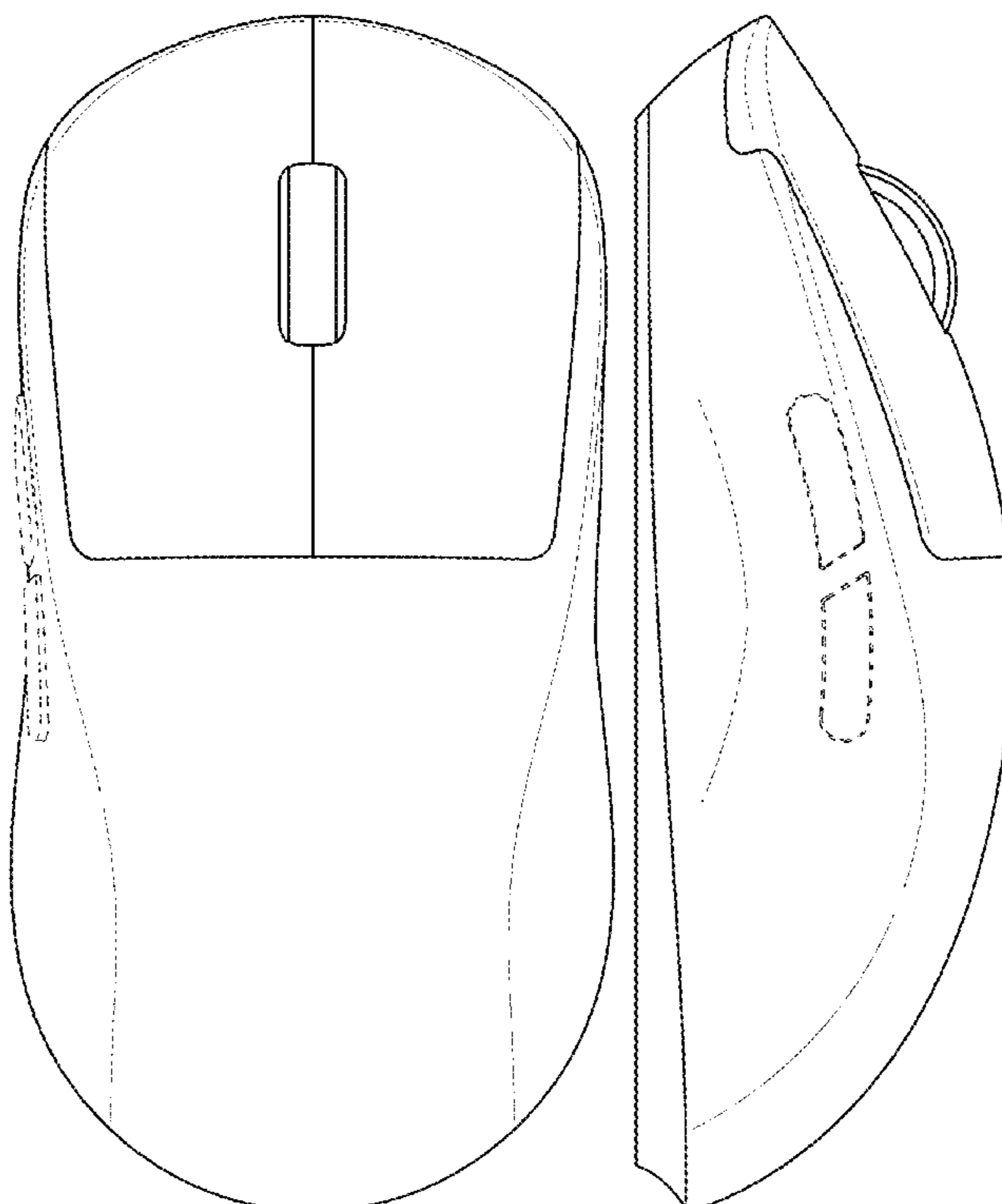
(57) **CLAIM**

The ornamental design for computer mouse, as shown and described.

DESCRIPTION

FIG. 1 is a perspective view of a computer mouse showing our new design;
FIG. 2 is a second prospective view thereof;
FIG. 3 is a top plan view thereof;
FIG. 4 is a bottom plan view thereof;
FIG. 5 is a front elevation view thereof;
FIG. 6 is a rear elevational view thereof;
FIG. 7 is a left side elevational view thereof; and,
FIG. 8 is a right side elevational view thereof.
The broken lines shown to be immediately adjacent to the shaded/contoured areas represent certain portions of the bounds of the claimed design while all other broken lines are directed to environment and are for illustrative purposes only; the broken lines from no part of the claimed design.

1 Claim, 5 Drawing Sheets



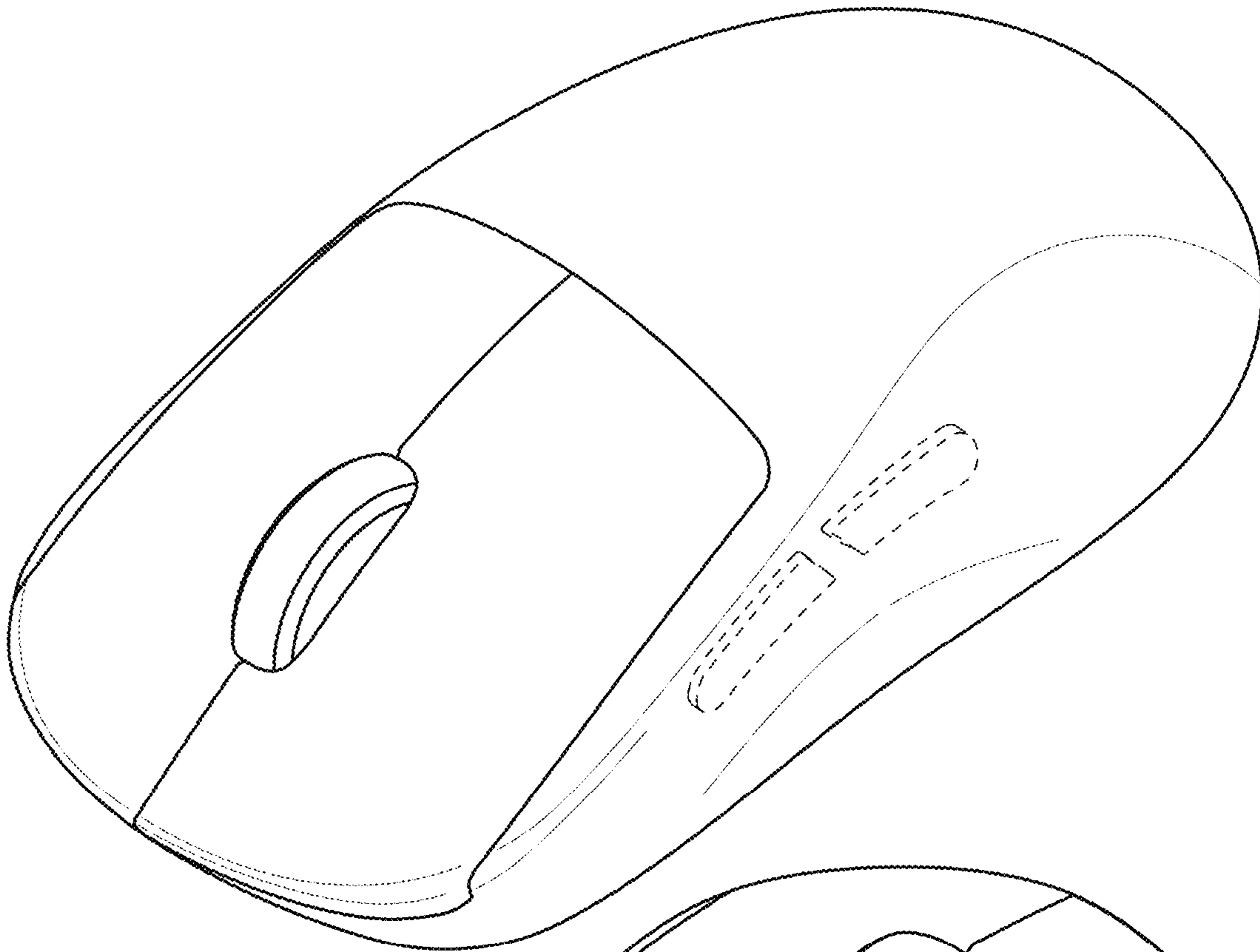


FIG. 1

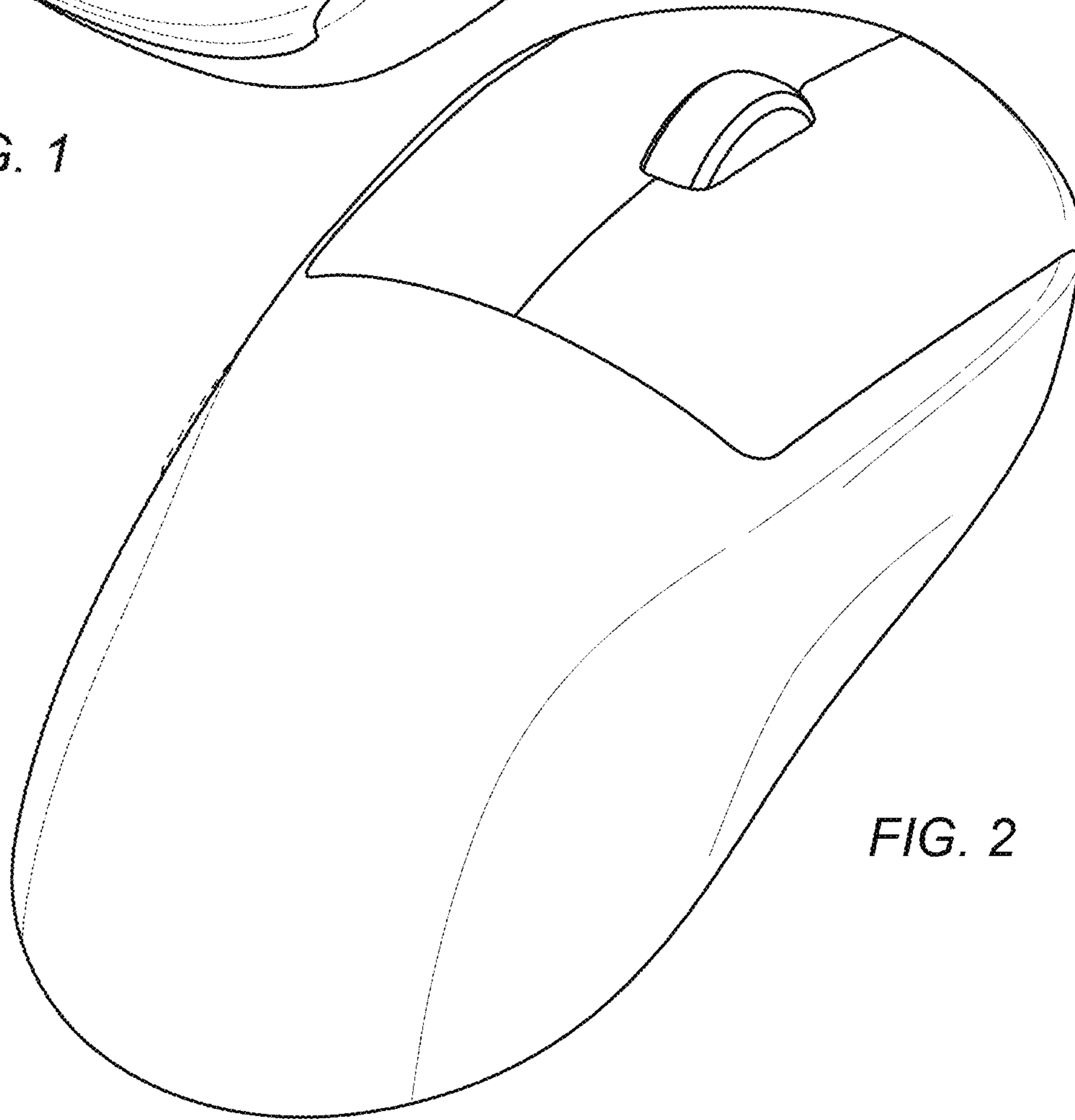


FIG. 2

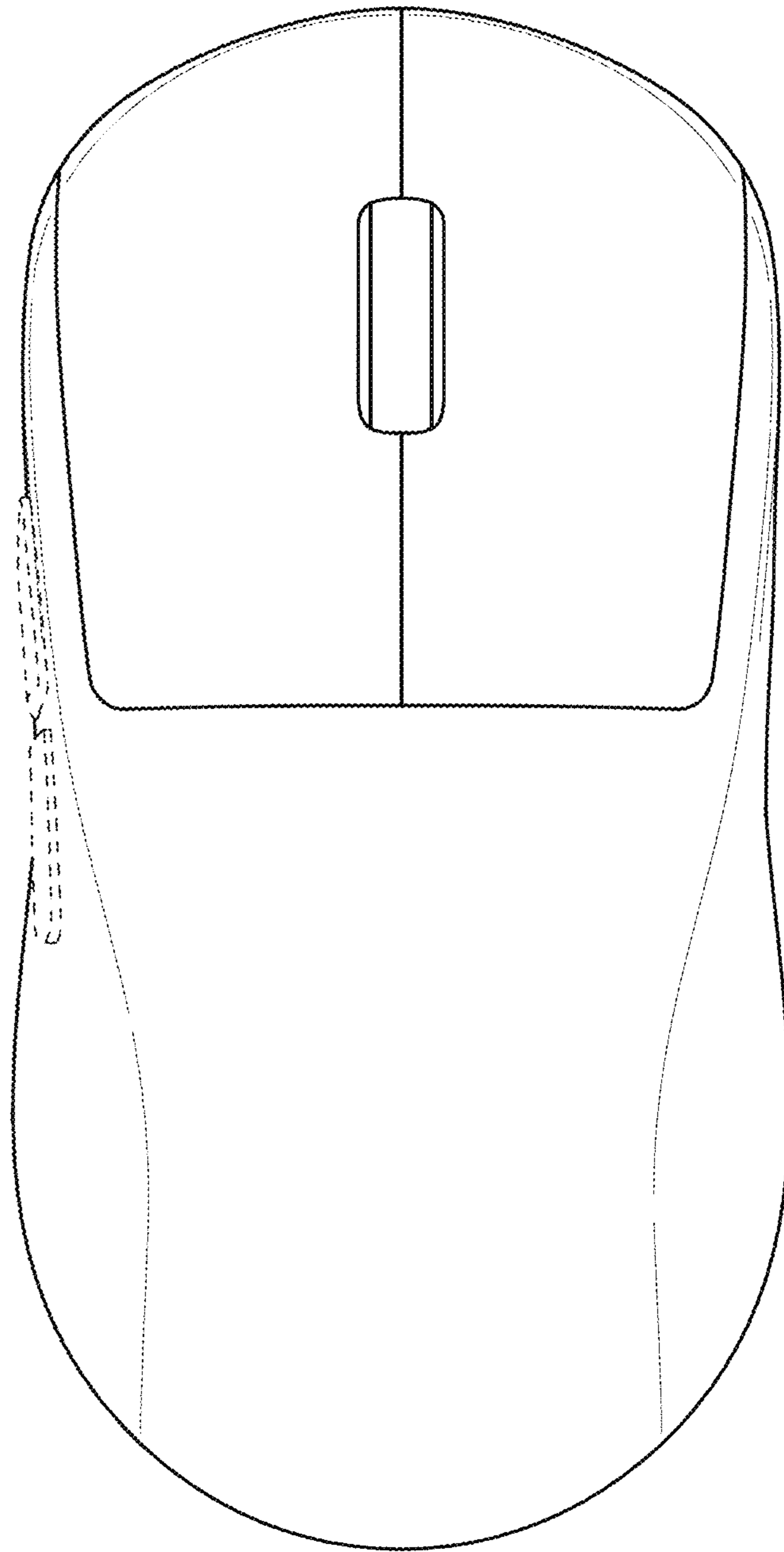


FIG. 3

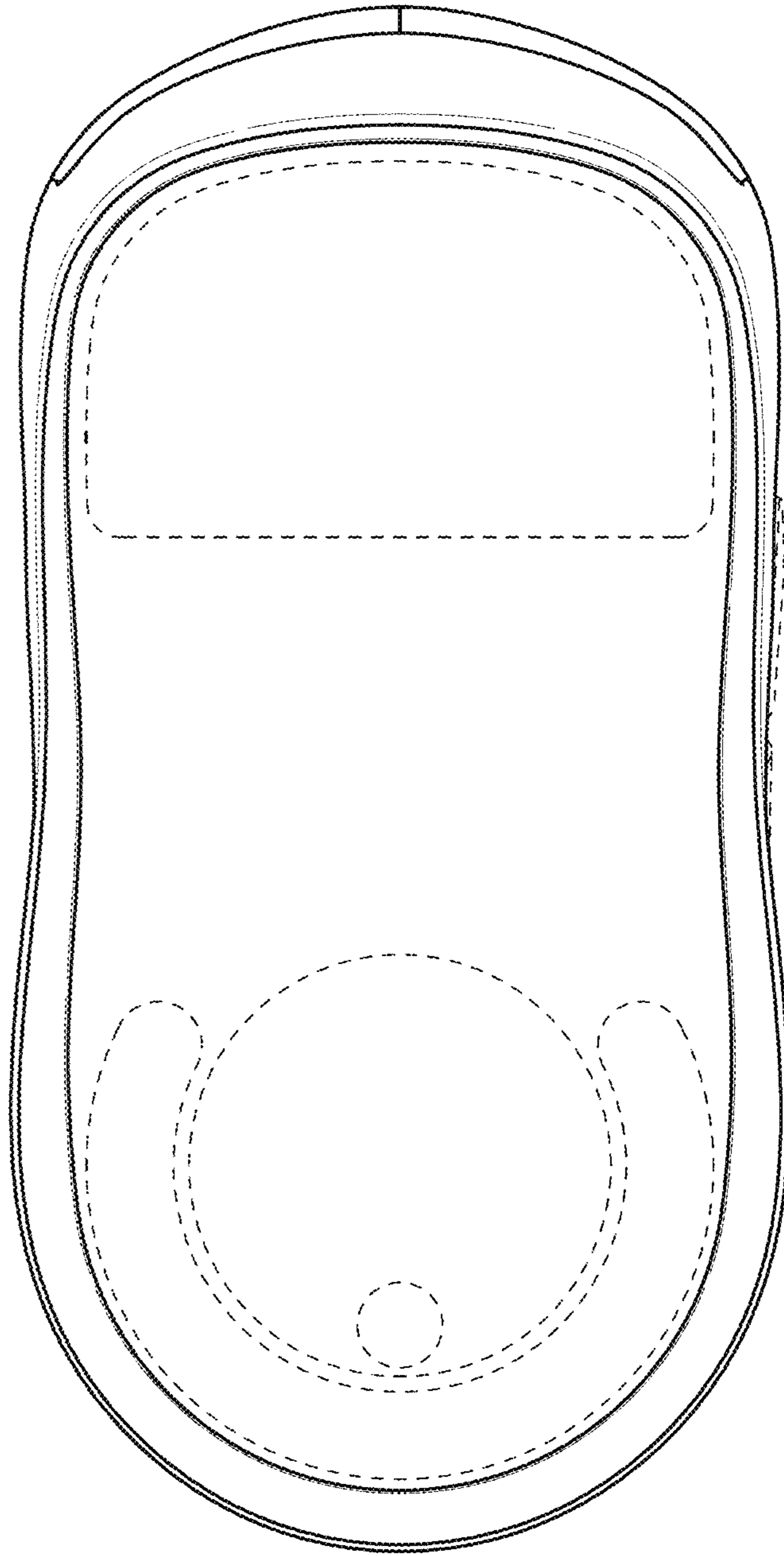


FIG. 4

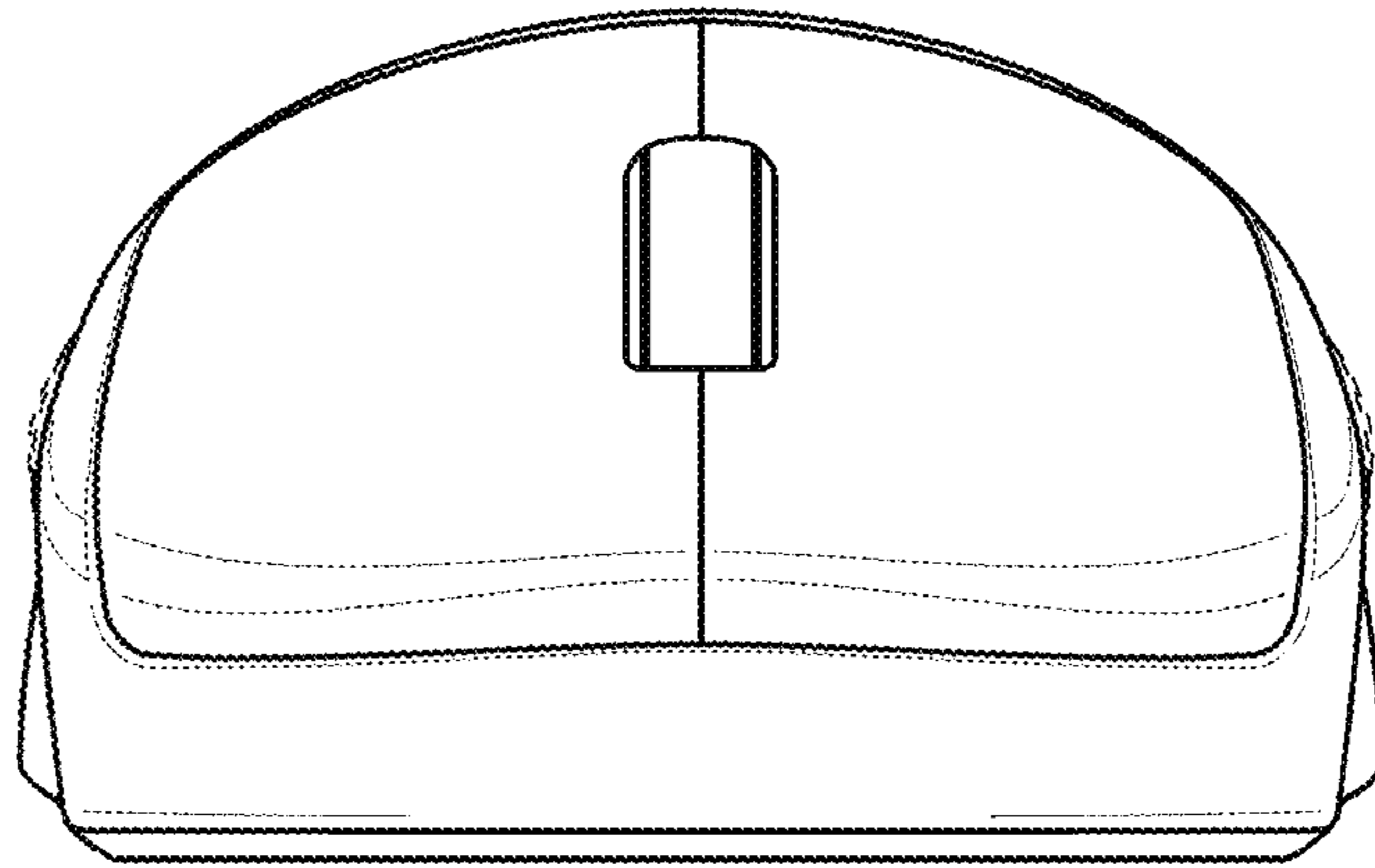


FIG. 5

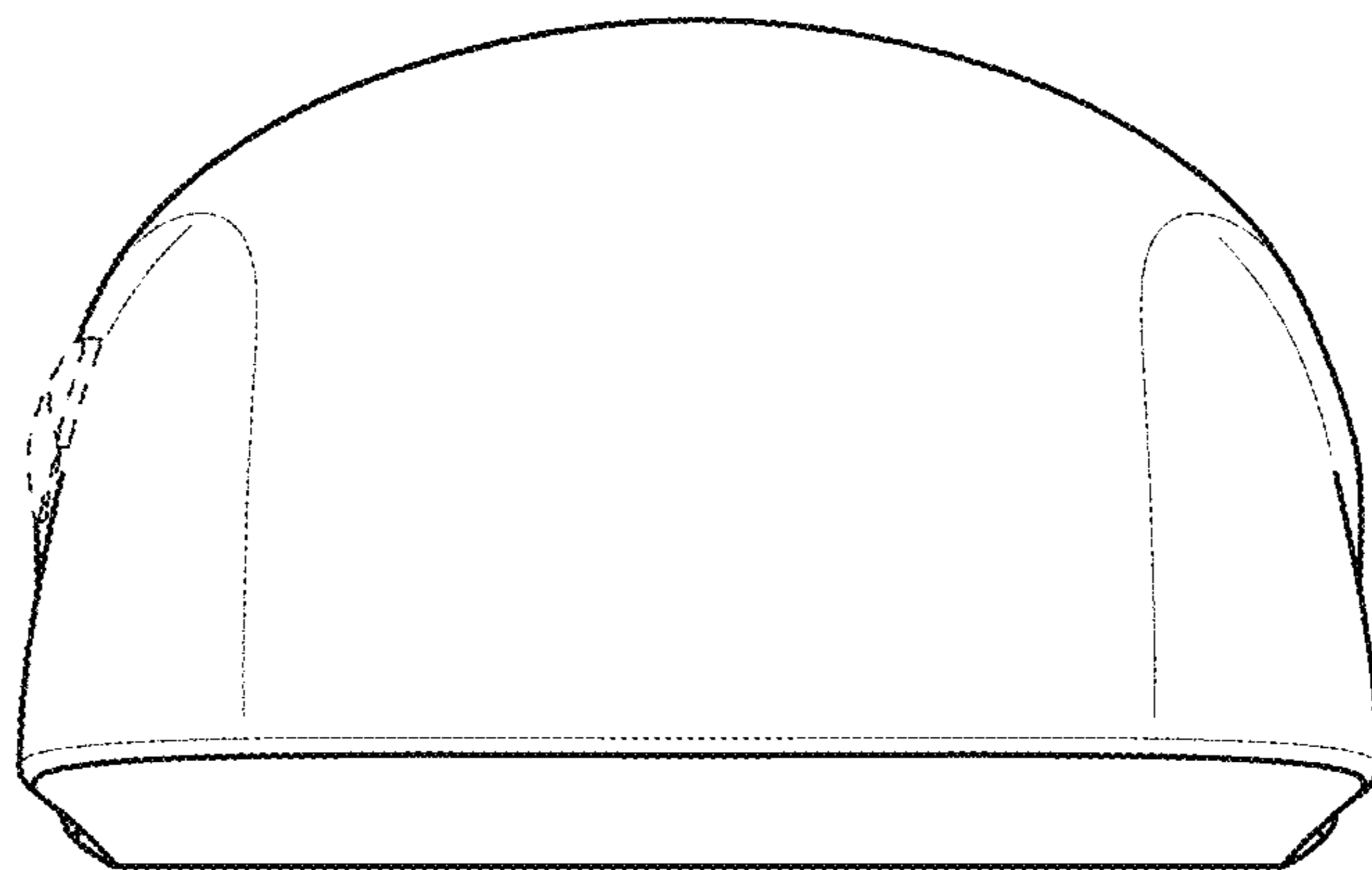


FIG. 6

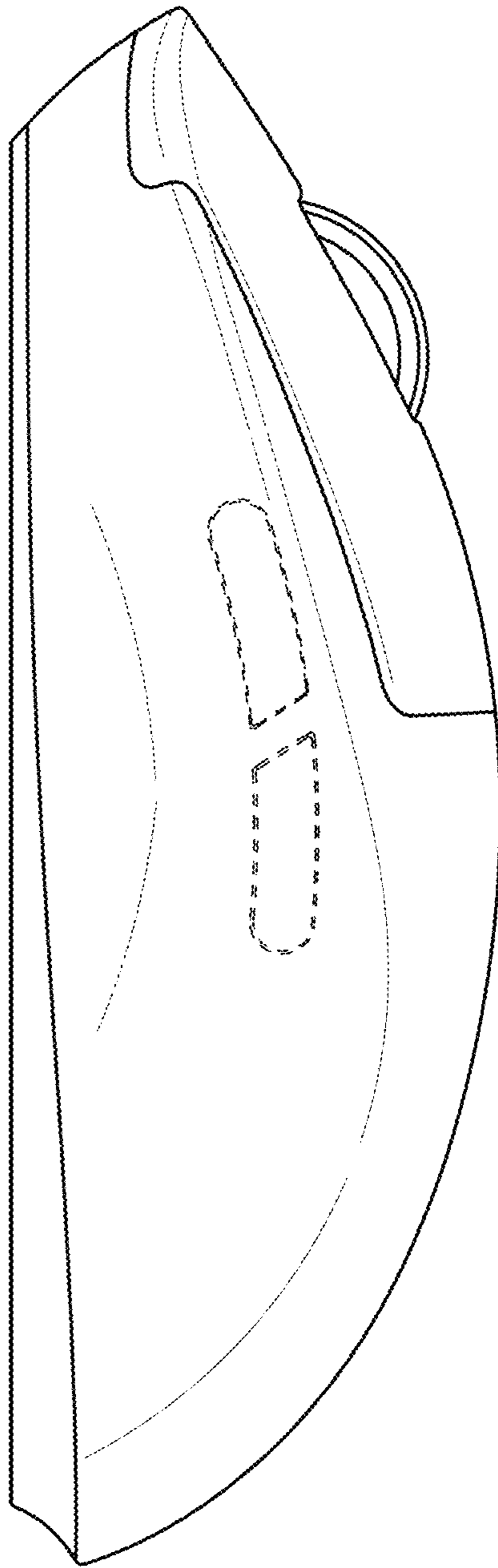


FIG. 7

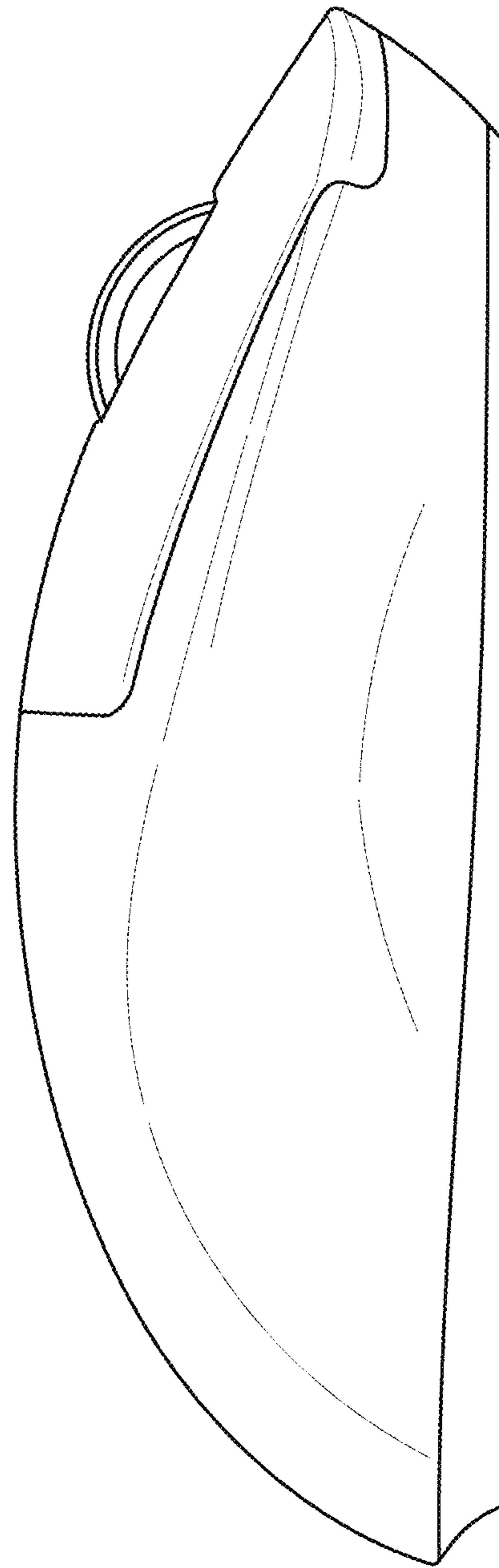


FIG. 8