



US00D956046S

(12) **United States Design Patent**  
**Nishimura et al.**

(10) **Patent No.:** **US D956,046 S**  
(45) **Date of Patent:** **\*\* Jun. 28, 2022**

(54) **HANDHELD AND HEADMOUNTED DISPLAY**

D875,093 S \* 2/2020 Park ..... D14/372  
D882,569 S \* 4/2020 Tsao ..... D14/372  
D883,980 S \* 5/2020 Chen ..... D14/372  
D887,407 S \* 6/2020 Rao ..... D14/372

(71) Applicant: **CANON KABUSHIKI KAISHA,**  
Tokyo (JP)

(Continued)

(72) Inventors: **Kenichi Nishimura,** Tokyo (JP);  
**Yoshiyuki Kashiwagi,** Tokyo (JP)

**FOREIGN PATENT DOCUMENTS**

(\*\*) Term: **15 Years**

CN 305179089 S 5/2019  
JP D1616648 S 10/2018

(Continued)

(21) Appl. No.: **35/510,847**

(22) Filed: **May 26, 2020**

**OTHER PUBLICATIONS**

(80) **Hague Agreement Data**

Int. Filing Date: **May 26, 2020**

Int. Reg. No.: **DM/209662**

Int. Reg. Date: **May 26, 2020**

Int. Reg. Pub. Date: **Nov. 27, 2020**

PetaPixel.com; Schneider, Jaron; "Canon to Release \$38,400 'Mixed Reality' Headset"; [online] 'https://petapixel.com/2021/01/27/canon-to-release-38400-mixed-reality-headset/'; dated Jan. 27, 2021; accessed Nov. 5, 2021; 6pgs. (Year: 2021).\*

(Continued)

*Primary Examiner* — Keli L Hill

(30) **Foreign Application Priority Data**

Nov. 27, 2019 (JP) ..... 2019-026221

(51) **LOC (13) Cl.** ..... **14-02**

(52) **U.S. Cl.**  
USPC ..... **D14/372**

(58) **Field of Classification Search**  
USPC ..... D14/125, 126, 129, 192, 229, 344, 371,  
D14/372, 432, 496; D16/100, 300, 309,  
D16/311-313, 340; D29/103-107, 109,  
D29/110

CPC ..... G02B 27/00; G02B 27/01; G02B 27/017;  
G06F 3/017; G06F 3/0346

See application file for complete search history.

(57) **CLAIM**

The ornamental design for a handheld and head-mounted display, as shown and described.

**DESCRIPTION**

Handheld and head-mounted display

**3.1:** Front

**3.2:** Back

**3.3:** Top

**3.4:** Bottom

**3.5:** Left

**3.6:** Right

**3.7:** Perspective

**3.8:** Perspective view in state of use

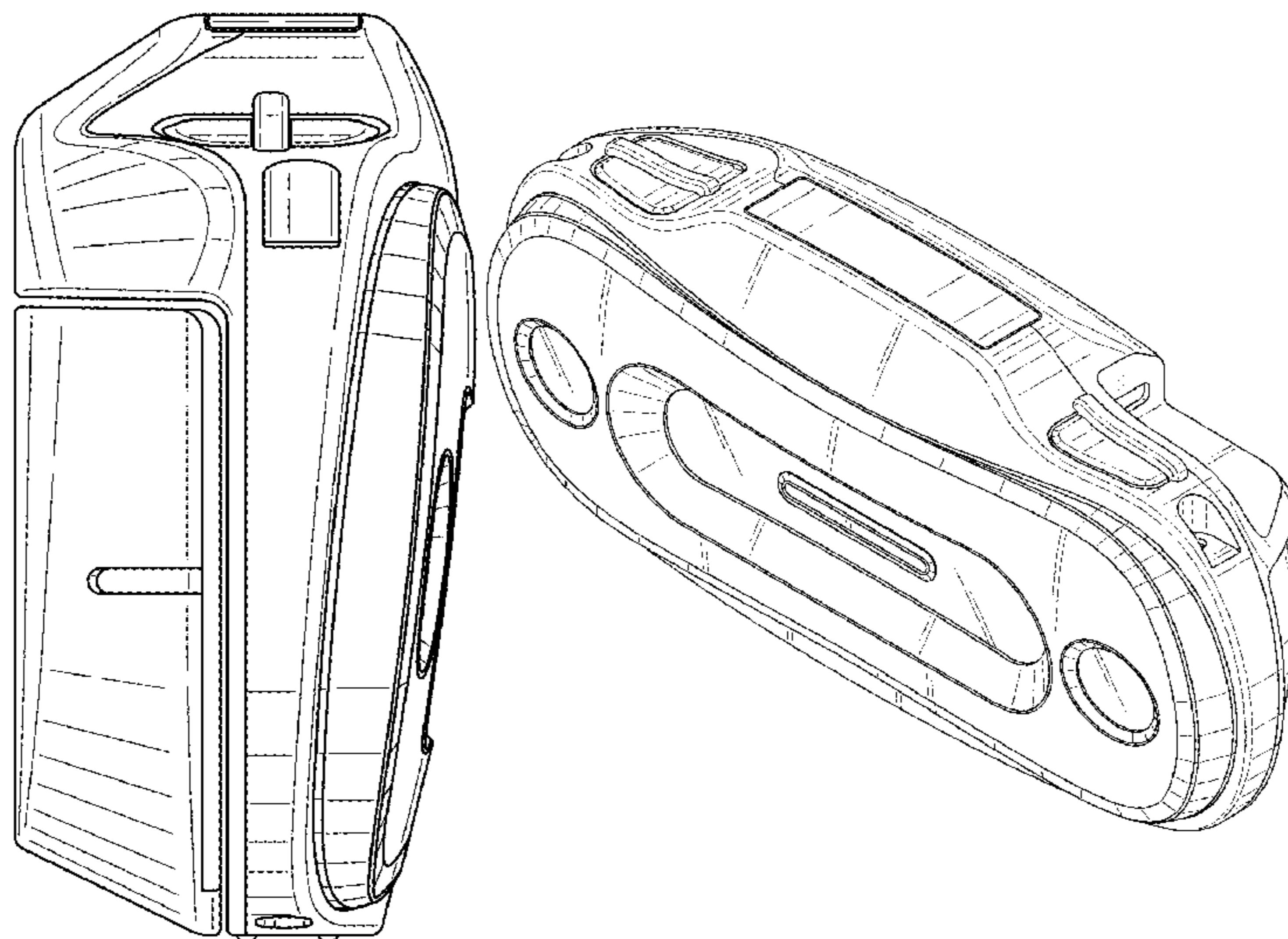
The broken lines in reproduction **3.8** show a hand grip for the purpose of illustrating environment and form no part of the claimed design, and the broken lines in the other reproductions illustrate portions of the handheld and head-mounted display that form no part of the claimed design.

(56) **References Cited**

**U.S. PATENT DOCUMENTS**

D476,347 S \* 6/2003 Fujii ..... D16/208  
D807,356 S \* 1/2018 Chou ..... D14/372  
D836,628 S \* 12/2018 Chen ..... D14/372  
D844,605 S \* 4/2019 Yeh ..... D14/372

**1 Claim, 8 Drawing Sheets**



(56)

References Cited

U.S. PATENT DOCUMENTS

D893,478 S \* 8/2020 Watanabe ..... D14/372  
 D896,221 S \* 9/2020 Lee ..... D14/372  
 D896,223 S \* 9/2020 Amijo ..... D14/372  
 D900,095 S \* 10/2020 Wang ..... D14/372  
 D900,096 S \* 10/2020 Wang ..... D14/372  
 D901,016 S \* 11/2020 Park ..... D16/312  
 D905,056 S \* 12/2020 Amijo ..... D14/372  
 D910,013 S \* 2/2021 Amijo ..... D14/372  
 D910,014 S \* 2/2021 Amijo ..... D14/372  
 D910,016 S \* 2/2021 Amijo ..... D14/372  
 D910,017 S \* 2/2021 Amijo ..... D14/372  
 D910,018 S \* 2/2021 Amijo ..... D14/372  
 D917,474 S \* 4/2021 Chiang ..... D14/372  
 D918,203 S \* 5/2021 Chen ..... D14/372  
 D918,903 S \* 5/2021 Jackson ..... D14/372  
 D929,401 S \* 8/2021 Chiang ..... D14/372  
 D937,262 S \* 11/2021 Chi ..... D14/372  
 D945,996 S \* 3/2022 Wang ..... D14/372

FOREIGN PATENT DOCUMENTS

JP D1617521 S 11/2018  
 TW D191803 S 7/2018

OTHER PUBLICATIONS

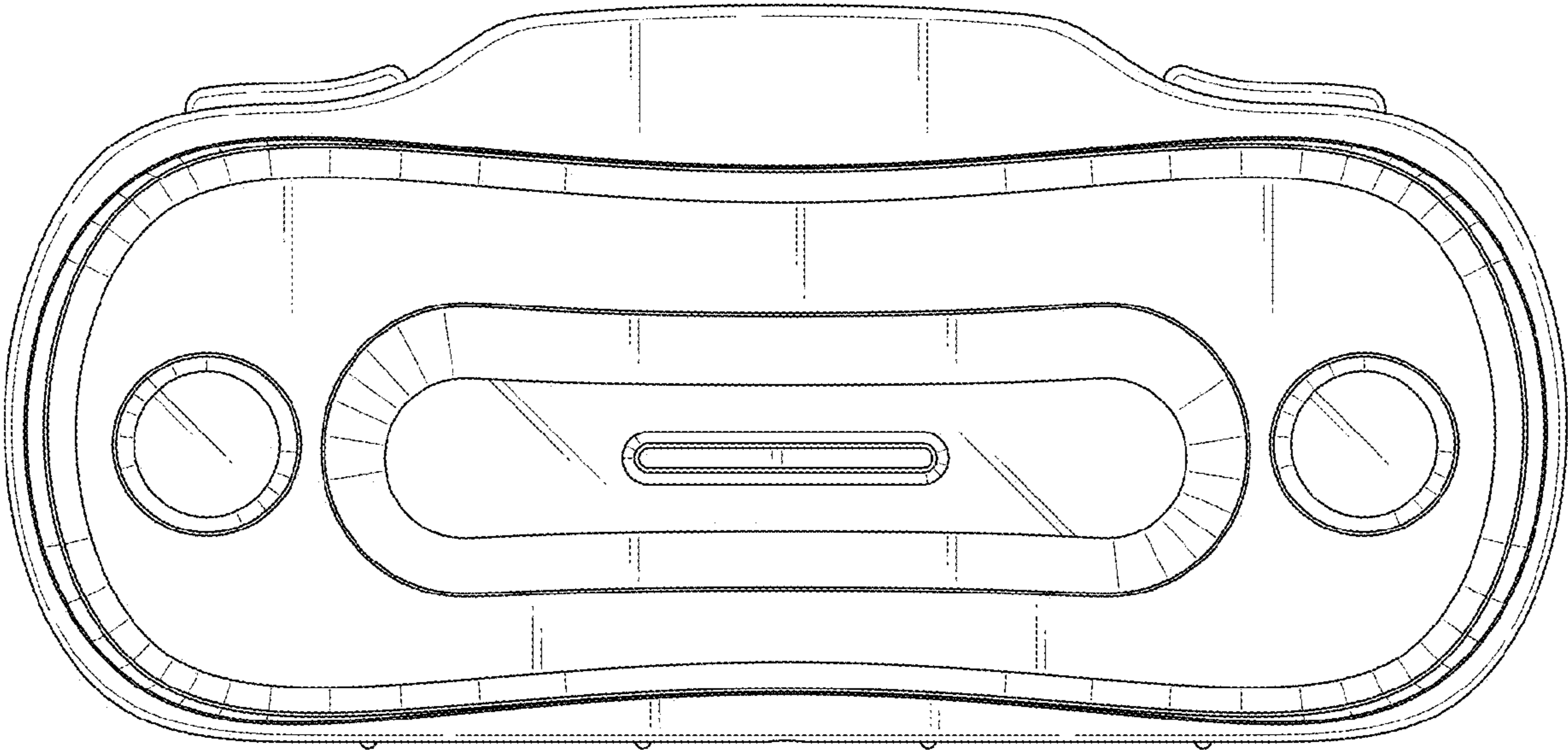
Taiwan IPO Search Report issued in corresponding Taiwan Application No. 109302820 dated Nov. 11, 2020.

Taiwan IPO Search Report issued in corresponding Taiwan Application No. 109302821 dated Nov. 11, 2020.

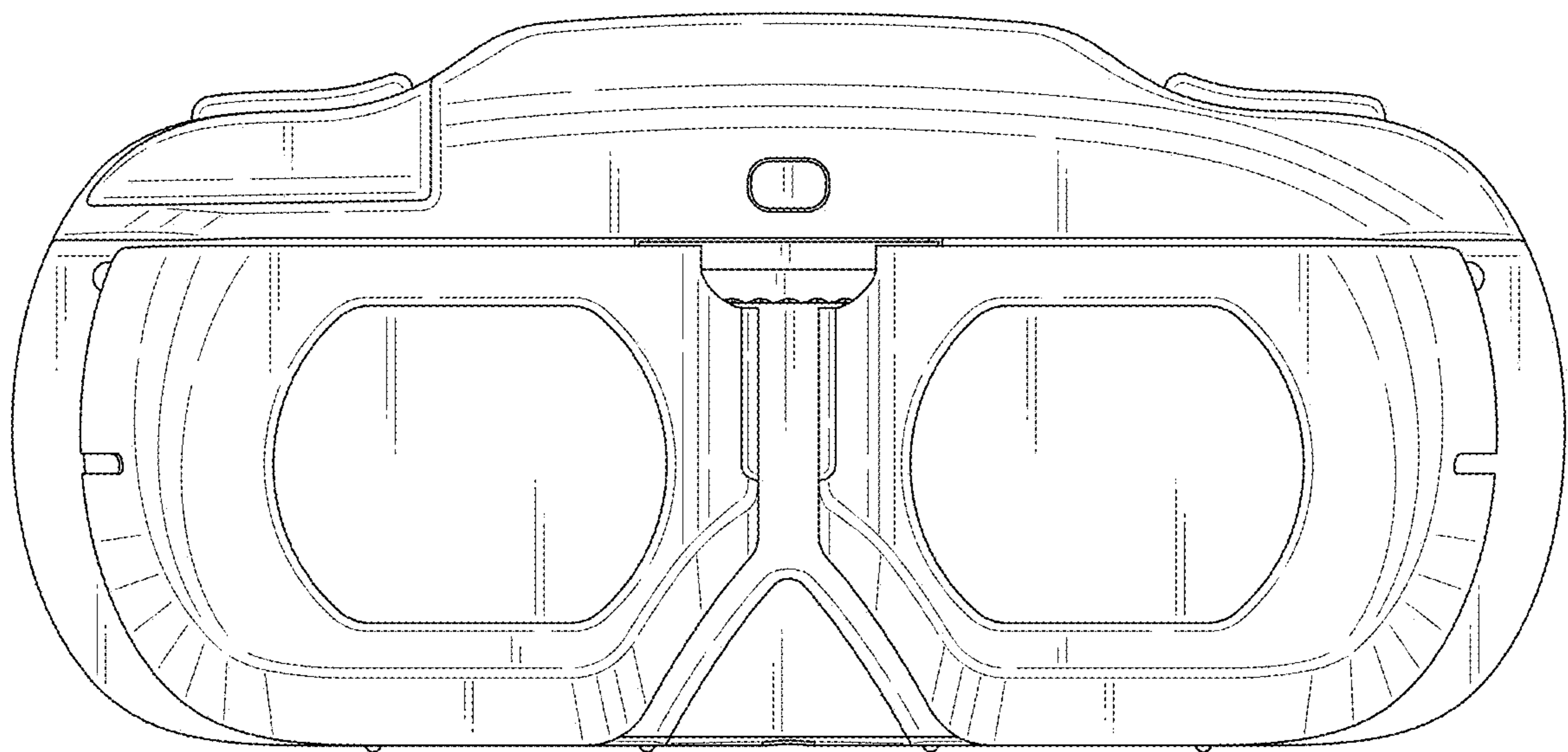
Taiwan IPO Search Report issued in corresponding Taiwan Application No. 109302824 dated Nov. 11, 2020.

Taiwan IPO Search Report issued in corresponding Taiwan Application No. 109302825 dated Nov. 11, 2020.

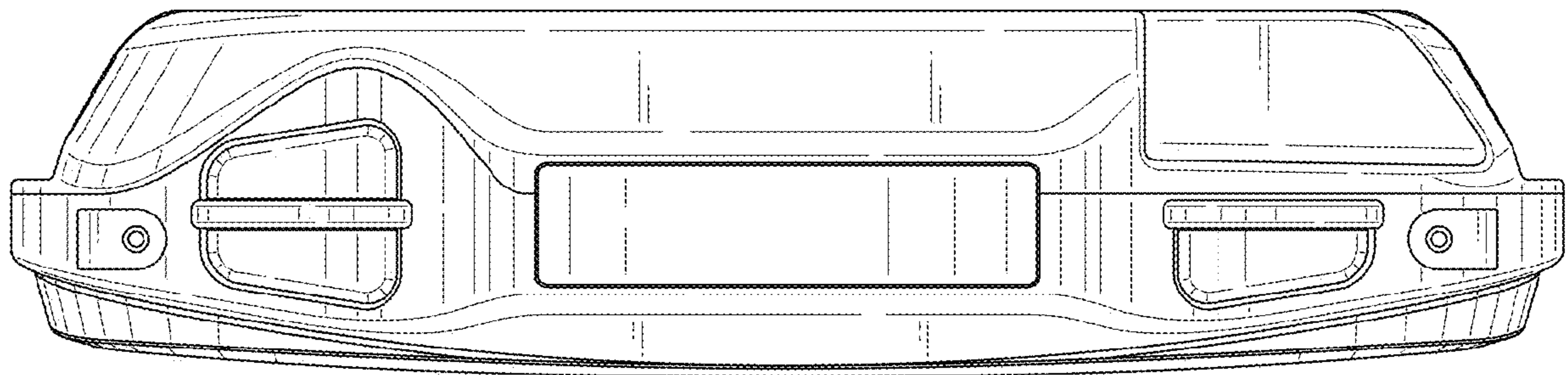
\* cited by examiner



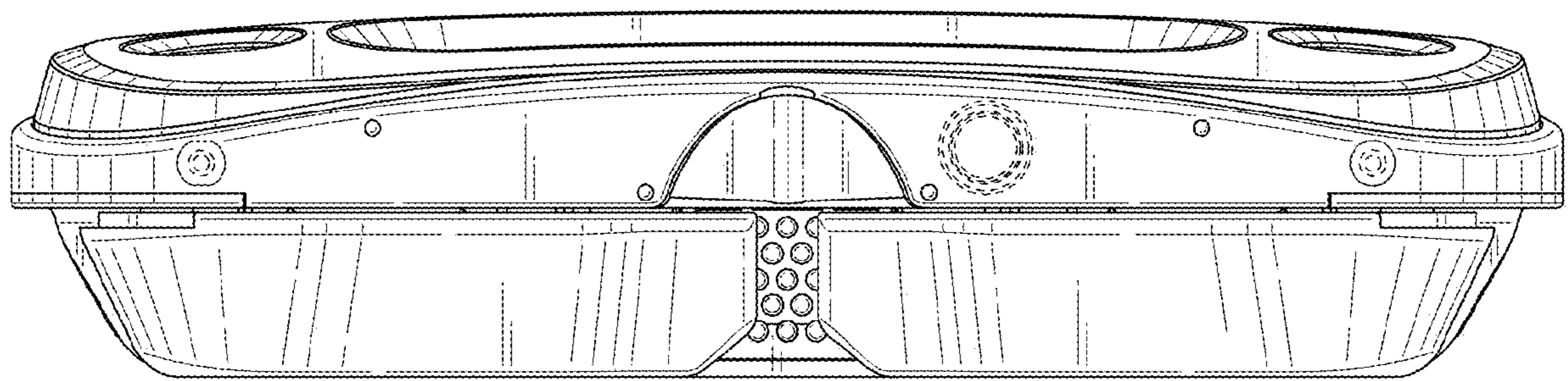
3.1



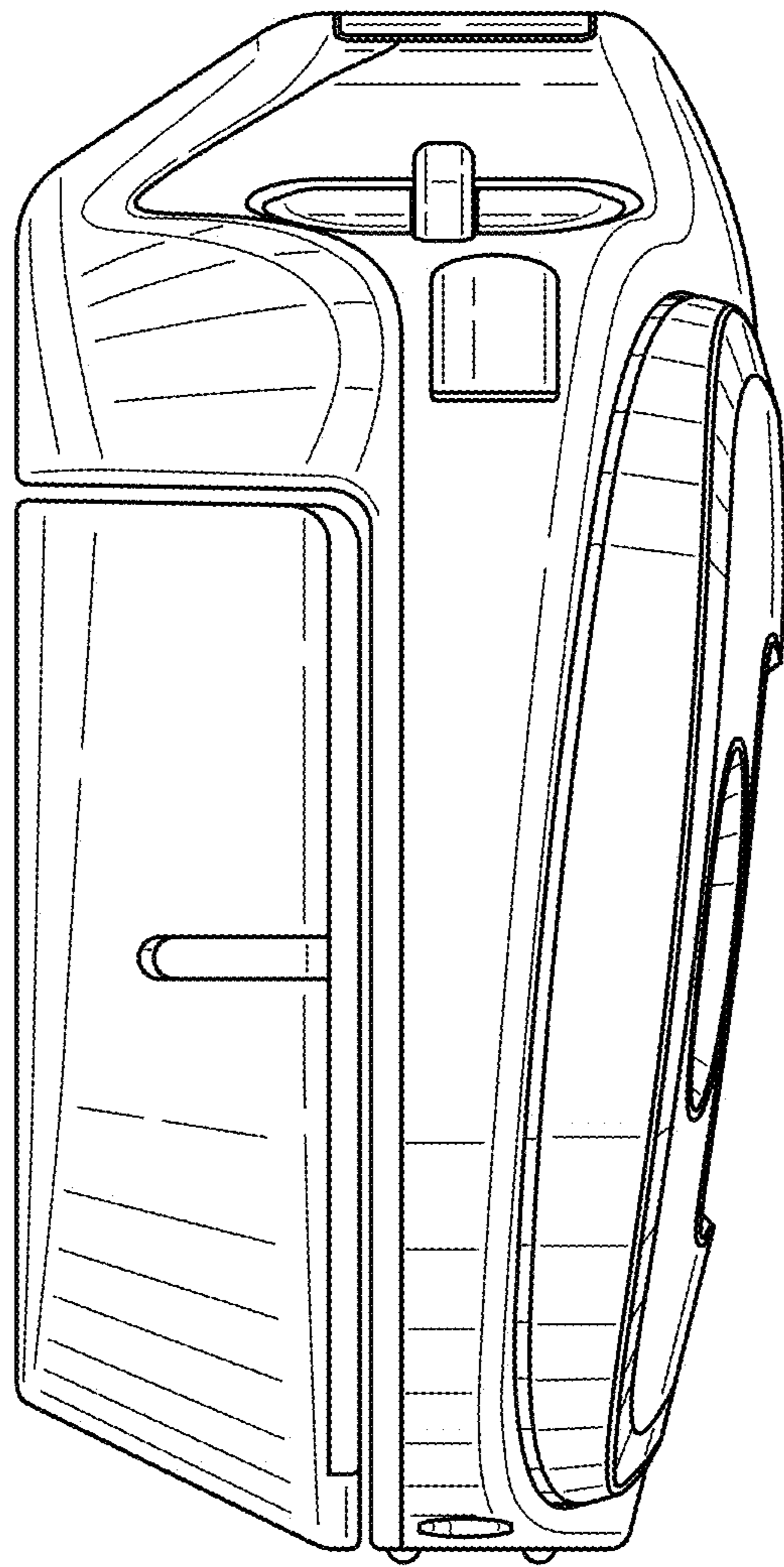
3.2



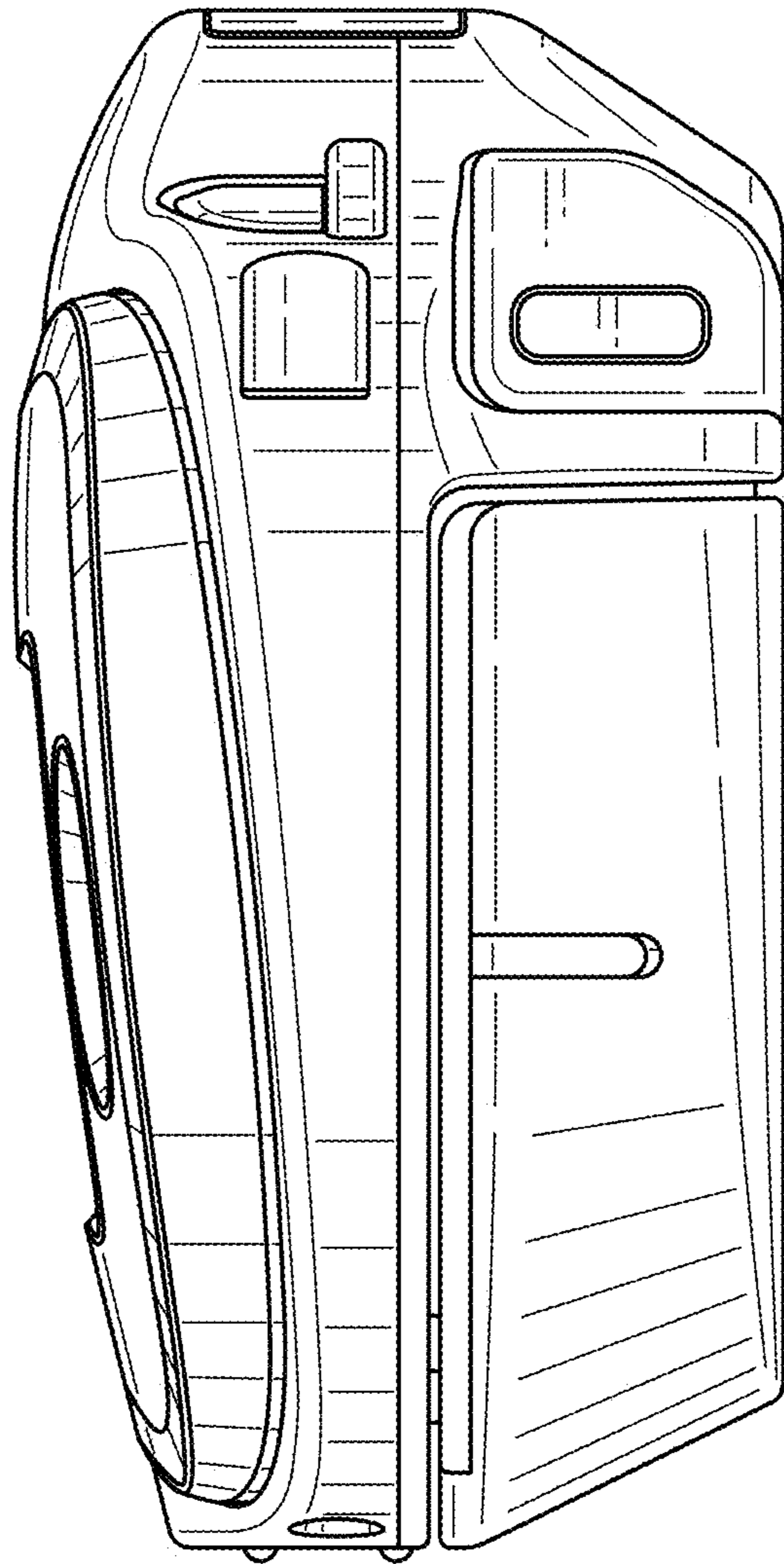
3.3



3.4

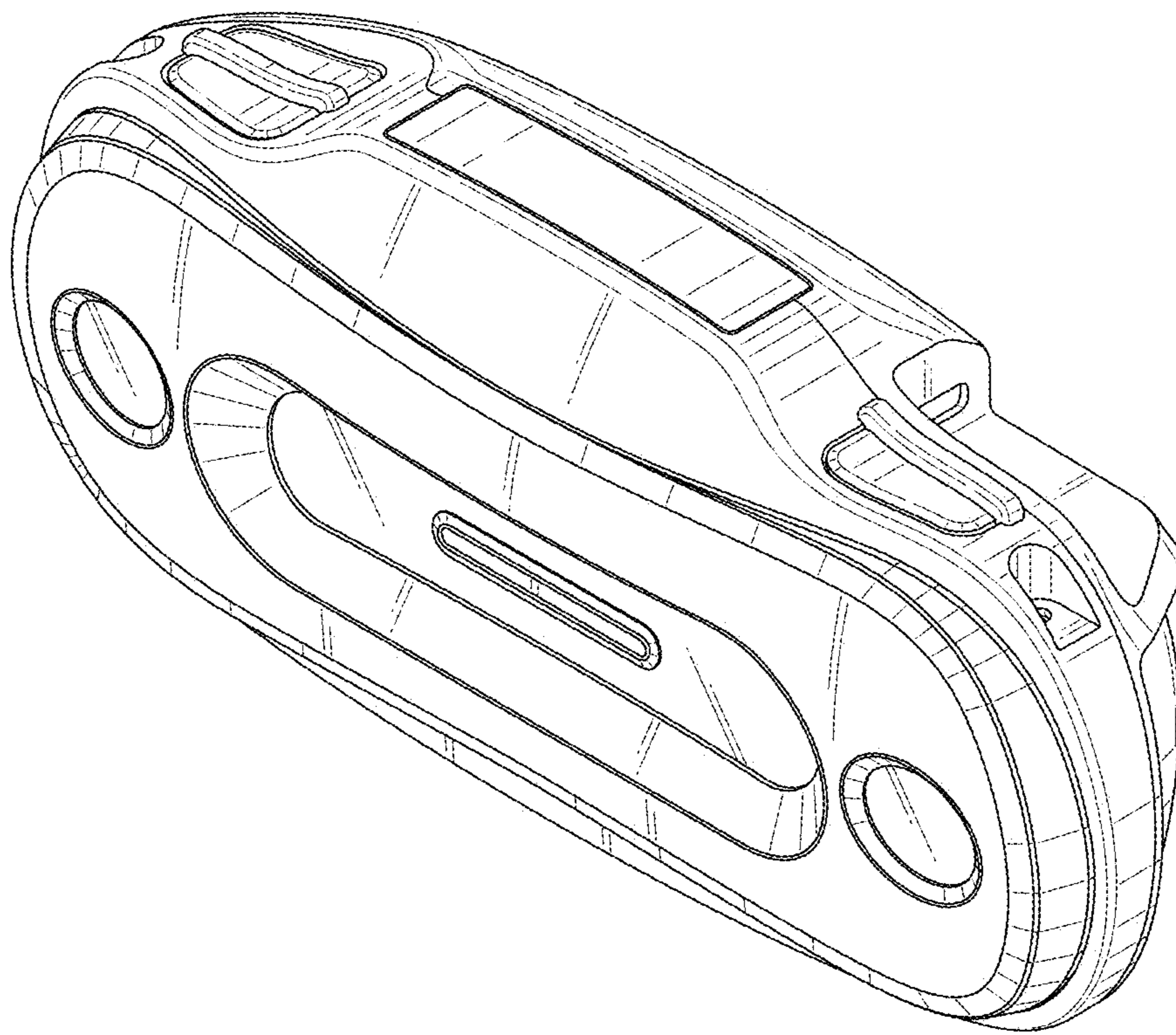


3.5

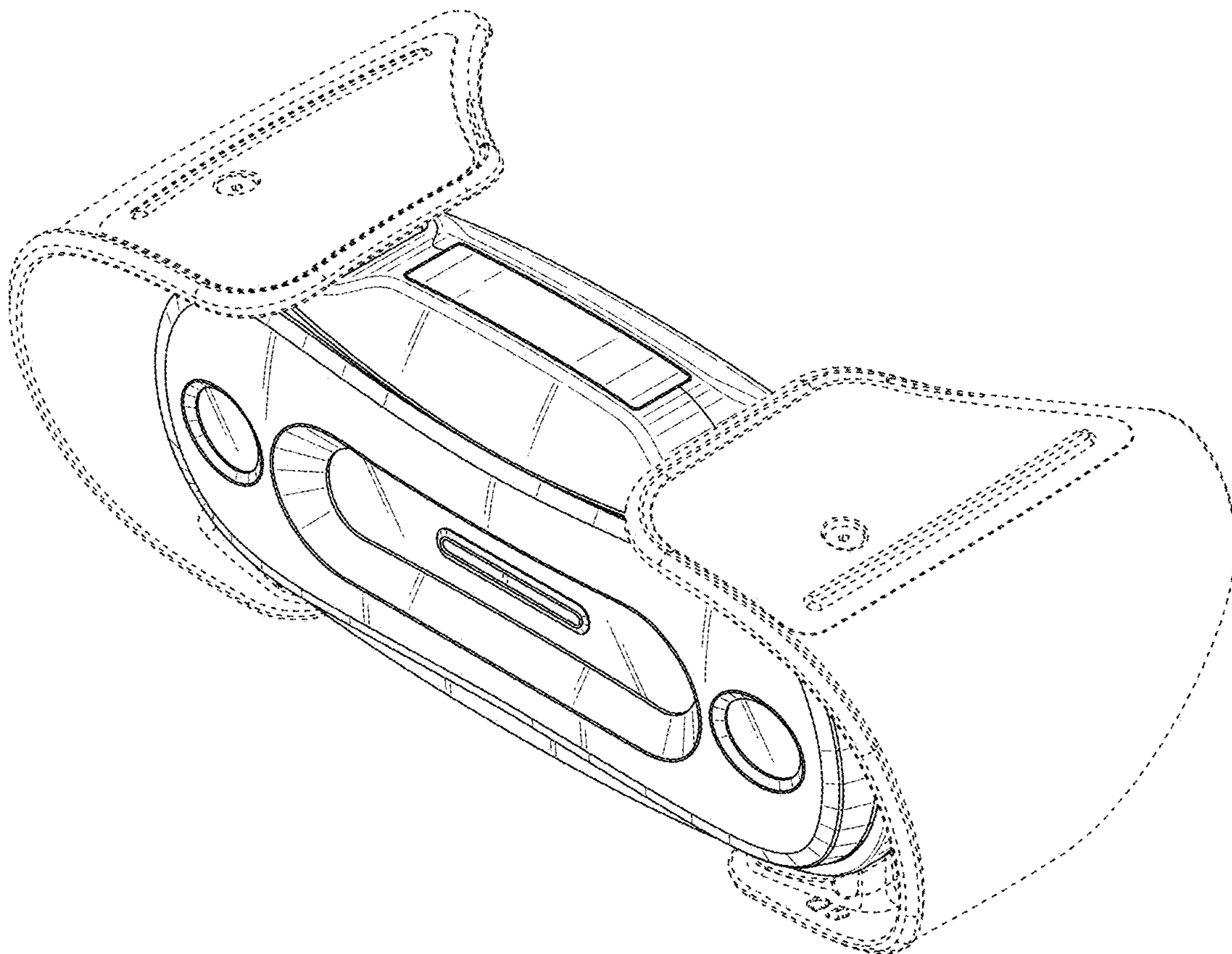


3.6





3.7



3.8