



US00D956045S

(12) **United States Design Patent** (10) **Patent No.:** **US D956,045 S**
Conlee, IV et al. (45) **Date of Patent:** **** Jun. 28, 2022**

(54) **HEADSET SPEAKER**

(71) Applicant: **Valve Corporation**, Bellevue, WA (US)

(72) Inventors: **Carl Samuel Conlee, IV**, Seattle, WA (US); **Ivan A. McCracken**, Bellevue, WA (US); **Jeremy Adam Selan**, Kirkland, WA (US); **Quentin Smith**, Seattle, WA (US); **Dustin Michael Horn**, Seattle, WA (US); **Clement Gallois**, Seattle, WA (US)

(73) Assignee: **Valve Corporation**, Bellevue, WA (US)

(**) Term: **15 Years**

(21) Appl. No.: **29/819,339**

(22) Filed: **Dec. 14, 2021**

Related U.S. Application Data

(62) Division of application No. 29/777,475, filed on Apr. 6, 2021, now Pat. No. Des. 943,575, which is a division of application No. 29/732,386, filed on Apr. 23, 2020, now Pat. No. Des. 917,477, which is a division of application No. 29/702,185, filed on Aug. 16, 2019, now Pat. No. Des. 885,384, which is a
(Continued)

(51) **LOC (13) Cl.** **14-02**

(52) **U.S. Cl.**
USPC **D14/372**

(58) **Field of Classification Search**
USPC D14/372, 496, 432, 371, 125, 126, 129, D14/299; D16/300-342; 351/158, 153, 351/144; 345/7-9, 905; 455/344; 348/115, 53, 121, 739
CPC G02B 27/017; G02B 27/0158; G02B 27/0161; G02B 27/0181; G02B 27/0185; G02B 27/0189

See application file for complete search history.

(56) **References Cited**

U.S. PATENT DOCUMENTS

D484,868 S * 1/2004 Suzuki D14/205
D517,528 S 3/2006 Skulley

(Continued)

OTHER PUBLICATIONS

The European Office Action dated Oct. 29, 2018 for European design application No. 005802832-0001, a counterpart foreign application of Design U.S. Appl. No. 29/644,686, 4 pages.

Primary Examiner — Austin Murphy

(74) *Attorney, Agent, or Firm* — Lee & Hayes, P.C.

(57) **CLAIM**

The ornamental design for a headset speaker, as shown and described.

DESCRIPTION

FIG. 1 is a top, front, right-side perspective view of a headset speaker. The design includes a mirror image of the embodiment depicted;

FIG. 2 is a front view thereof;

FIG. 3 is a back view thereof;

FIG. 4 is a right-side view thereof;

FIG. 5 is a left-side view thereof;

FIG. 6 is a top view thereof;

FIG. 7 is a bottom view thereof;

FIG. 8 is top, front, right-side perspective view thereof including a disclaimed headset for environmental context;

FIG. 9 is front view thereof;

FIG. 10 is a back view thereof;

FIG. 11 is a left-side view thereof;

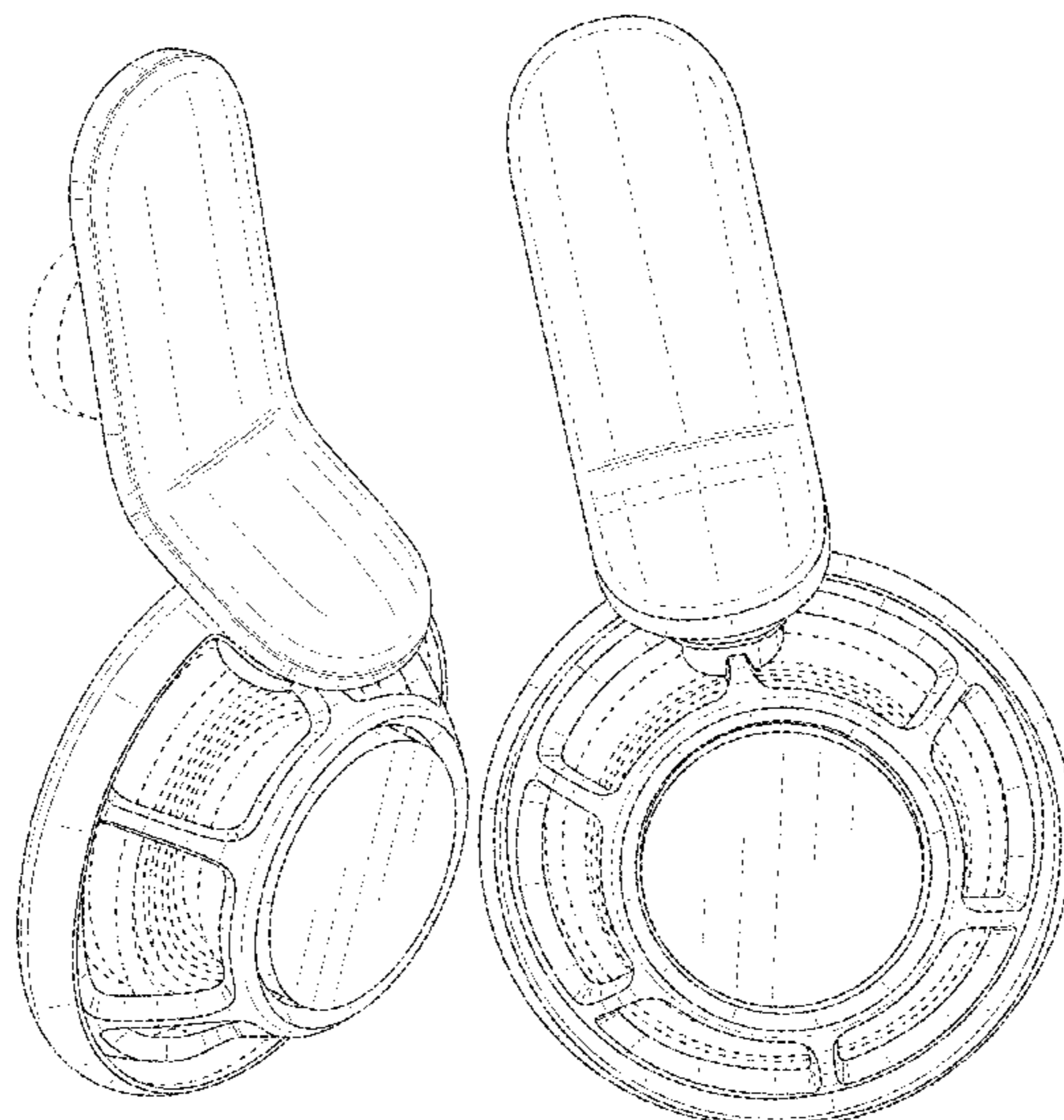
FIG. 12 is a right-side view thereof;

FIG. 13 is a top view thereof; and,

FIG. 14 is a bottom view thereof.

The broken lines depict portions of the headset speaker and environment of the headset speaker that form no part of the claimed design.

1 Claim, 14 Drawing Sheets



Related U.S. Application Data

division of application No. 29/644,686, filed on Apr. 19, 2018, now Pat. No. Des. 857,692.

(56)

References Cited

U.S. PATENT DOCUMENTS

D518,479 S 4/2006 Skulley
 D756,972 S 5/2016 Park et al.
 D764,465 S 8/2016 Clement
 D805,514 S 12/2017 Clement
 D810,743 S 2/2018 Yee et al.
 D813,232 S 3/2018 Clement
 D815,637 S 4/2018 Li
 D819,634 S 6/2018 Pang et al.
 D819,635 S 6/2018 Miller et al.
 D819,636 S 6/2018 Chen et al.
 D822,659 S 7/2018 Spio
 D826,898 S 8/2018 Kim et al.
 D827,642 S 9/2018 Liu et al.
 D829,208 S 9/2018 Dallmeyer et al.
 D830,359 S 10/2018 Gribetz et al.
 D831,029 S 10/2018 Gu
 D834,019 S 11/2018 Dallmeyer et al.

D843,374 S 3/2019 Nieto et al.
 D857,692 S * 8/2019 Conlee, IV D14/372
 D859,408 S 9/2019 Natsume et al.
 D865,762 S 11/2019 Lau et al.
 D872,084 S 1/2020 Reed et al.
 D885,383 S 5/2020 Chang et al.
 D885,384 S * 5/2020 Conlee, IV D14/372
 D890,172 S 7/2020 Wei et al.
 D890,173 S 7/2020 Wei et al.
 D898,025 S 10/2020 Bhat et al.
 D902,290 S * 11/2020 Newsom D16/309
 D904,402 S 12/2020 Marquis et al.
 10,898,797 B2 * 1/2021 Petersen A63F 13/24
 D916,702 S 4/2021 Newsom et al.
 D917,477 S * 4/2021 Conlee, IV D14/372
 D920,974 S 6/2021 Chi
 D924,234 S 7/2021 Meng
 D925,530 S 7/2021 Morris et al.
 D928,151 S 8/2021 Hu
 D929,401 S 8/2021 Chiang et al.
 D931,277 S 9/2021 Denhez et al.
 D938,421 S * 12/2021 Bhat D14/372
 D943,575 S * 2/2022 Conlee, IV D14/372
 2013/0285886 A1 10/2013 Pombo et al.

* cited by examiner

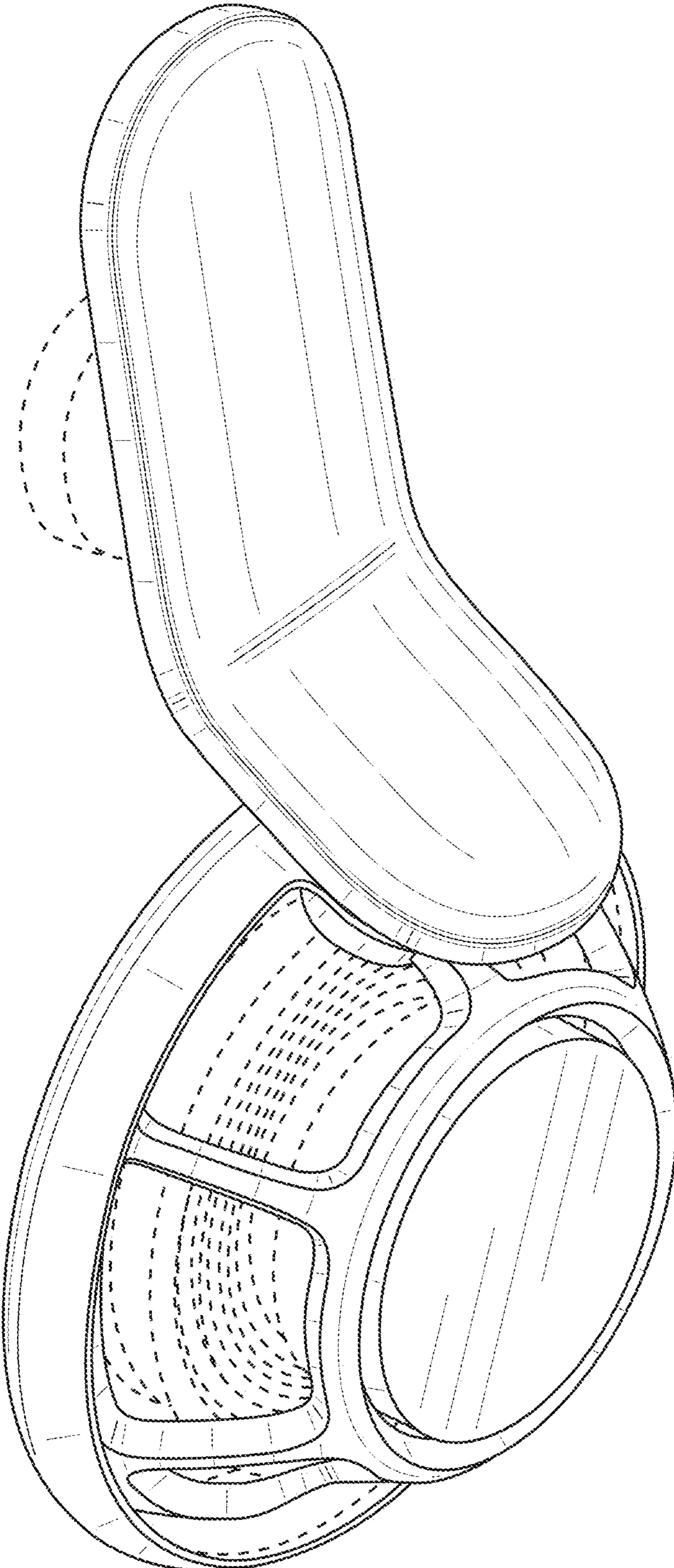


FIG. 1

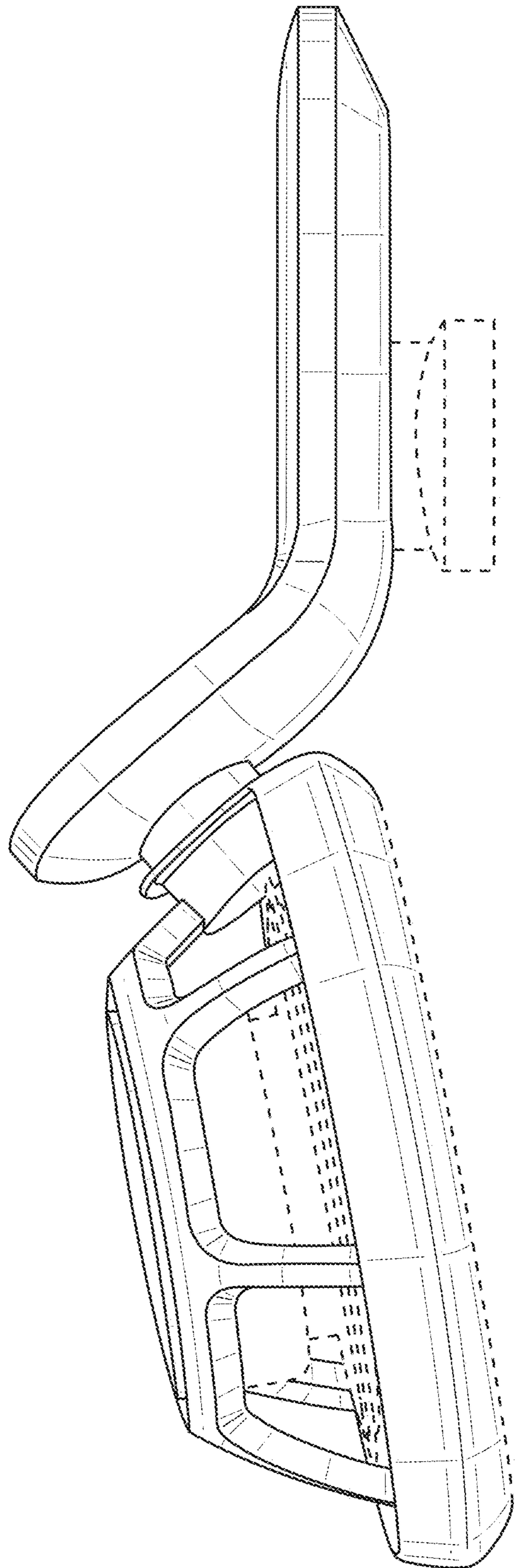


FIG. 2

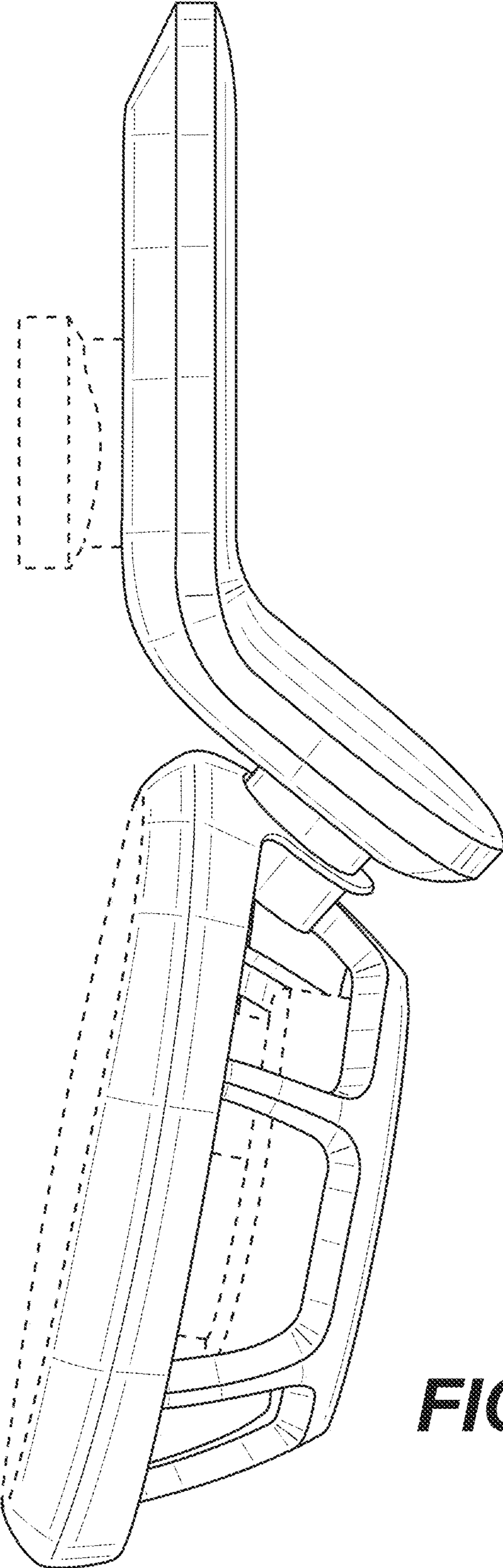


FIG. 3

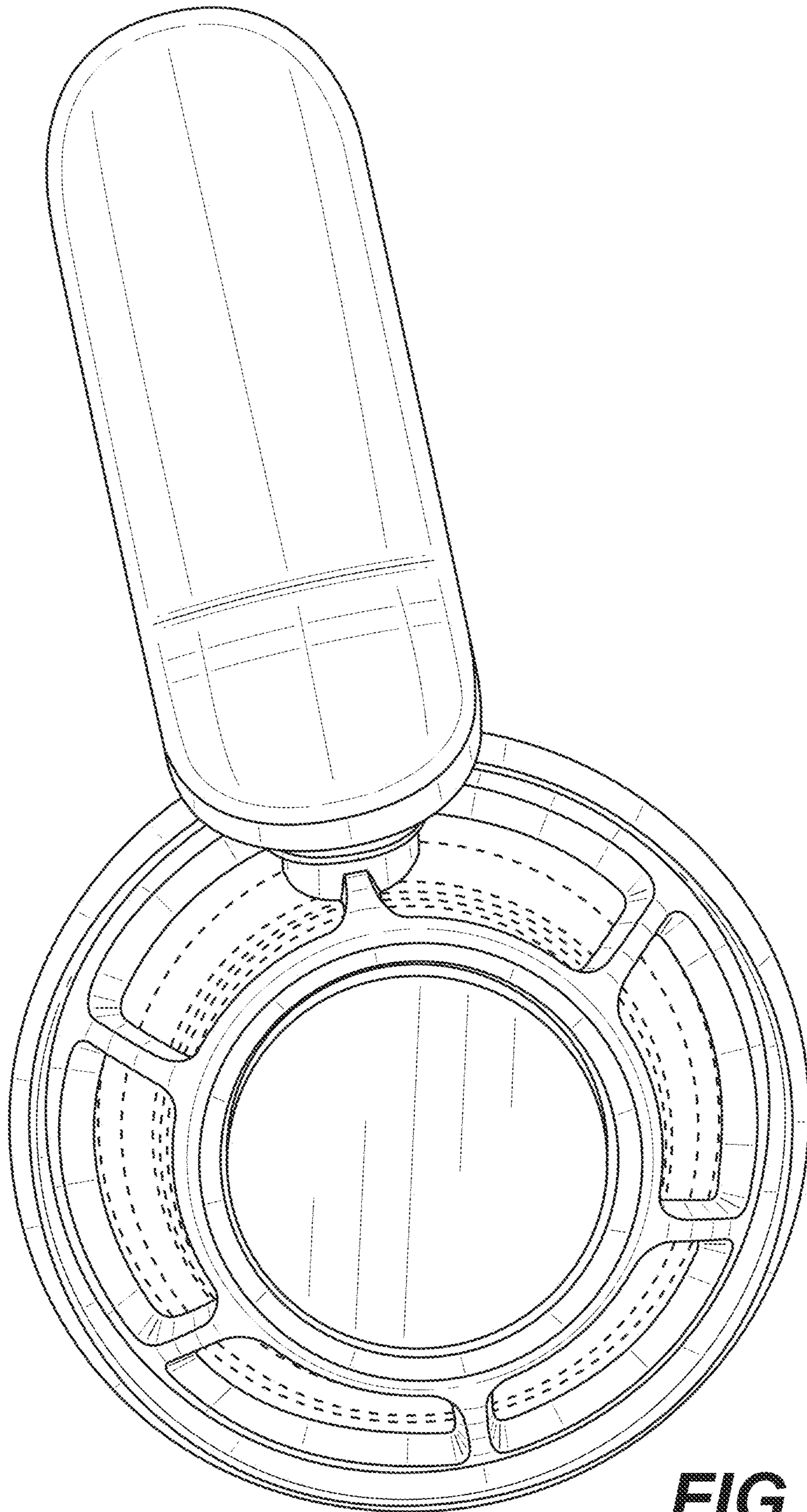


FIG. 4

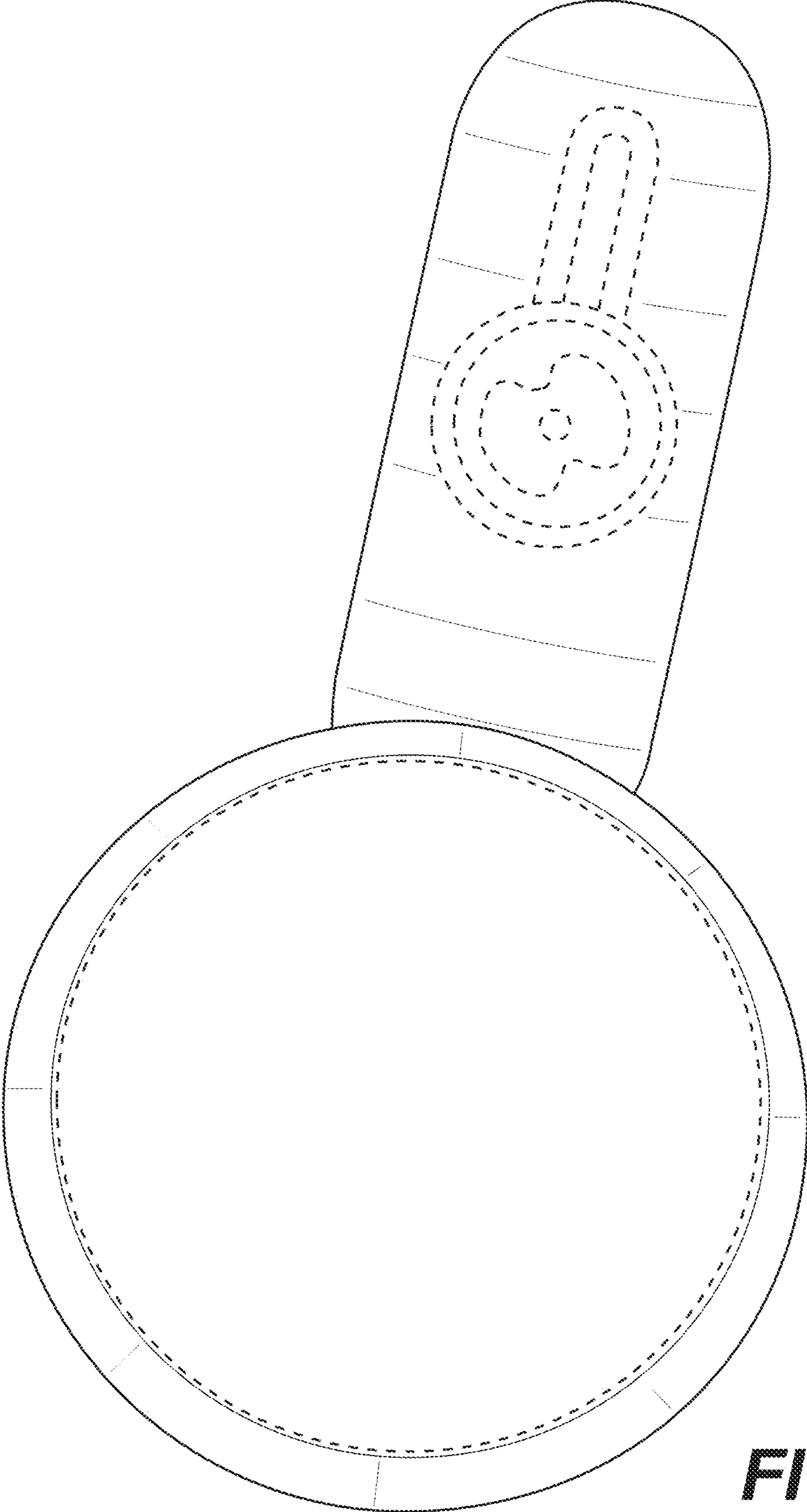


FIG. 5

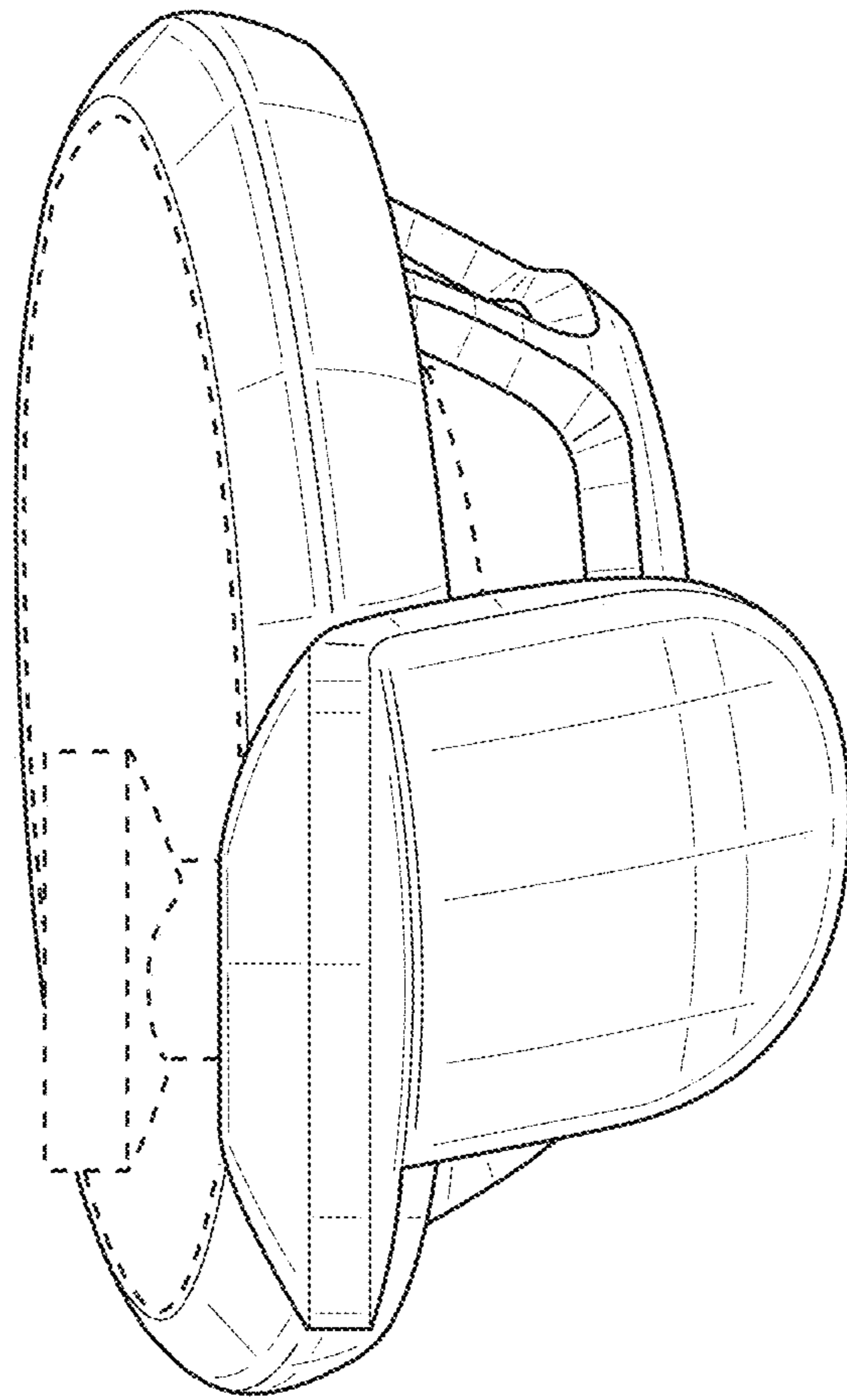


FIG. 6

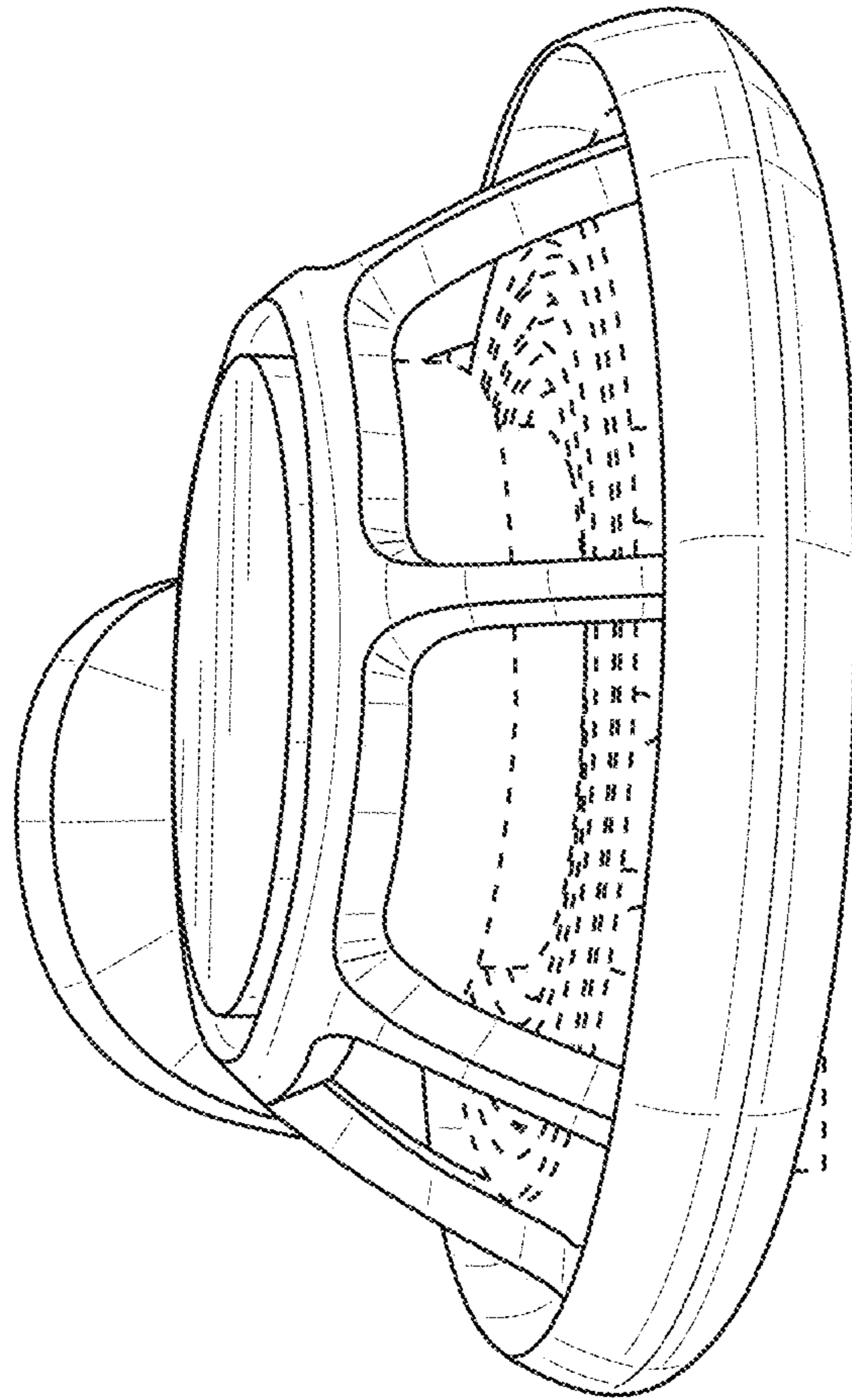


FIG. 7

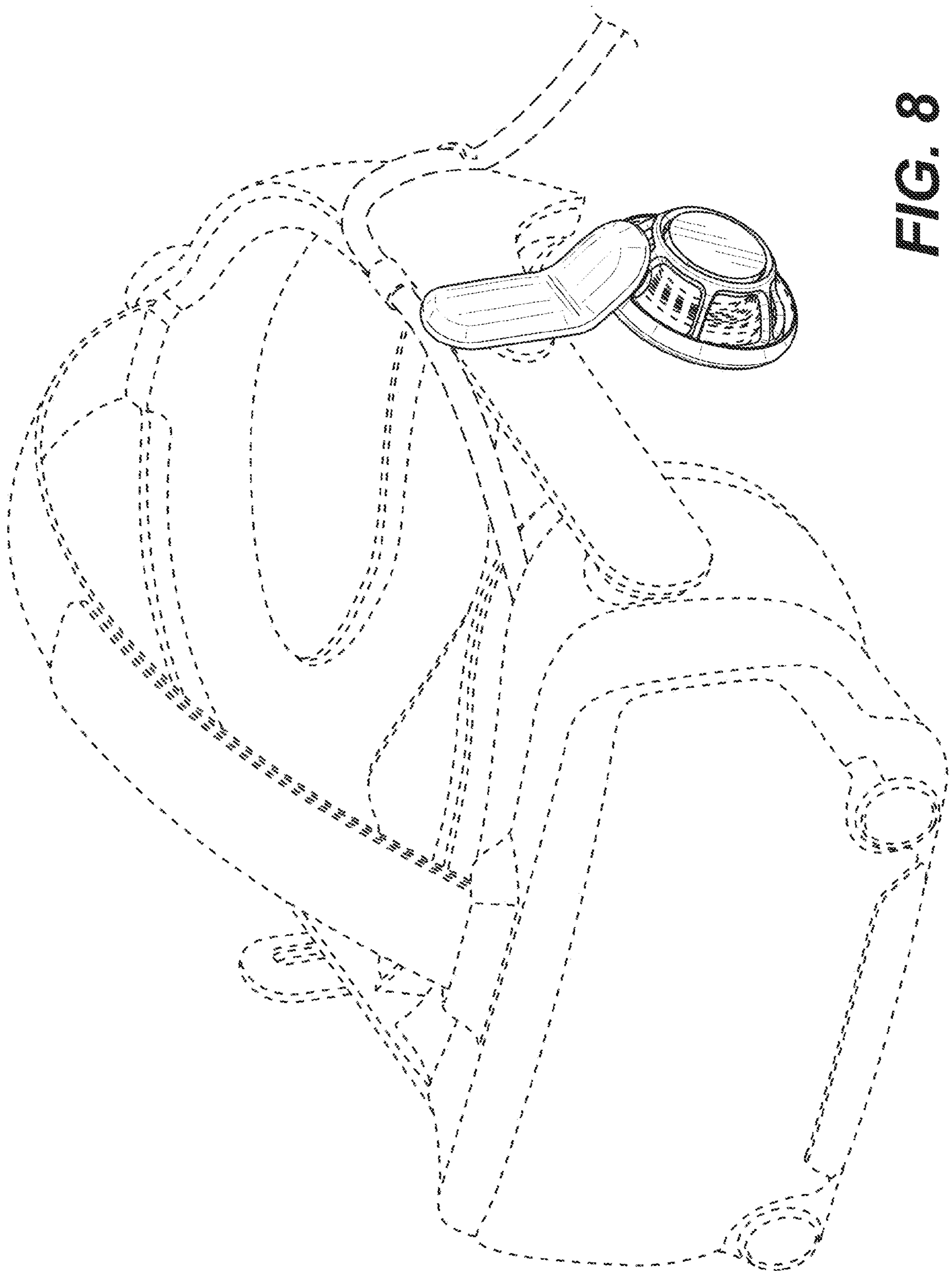


FIG. 8

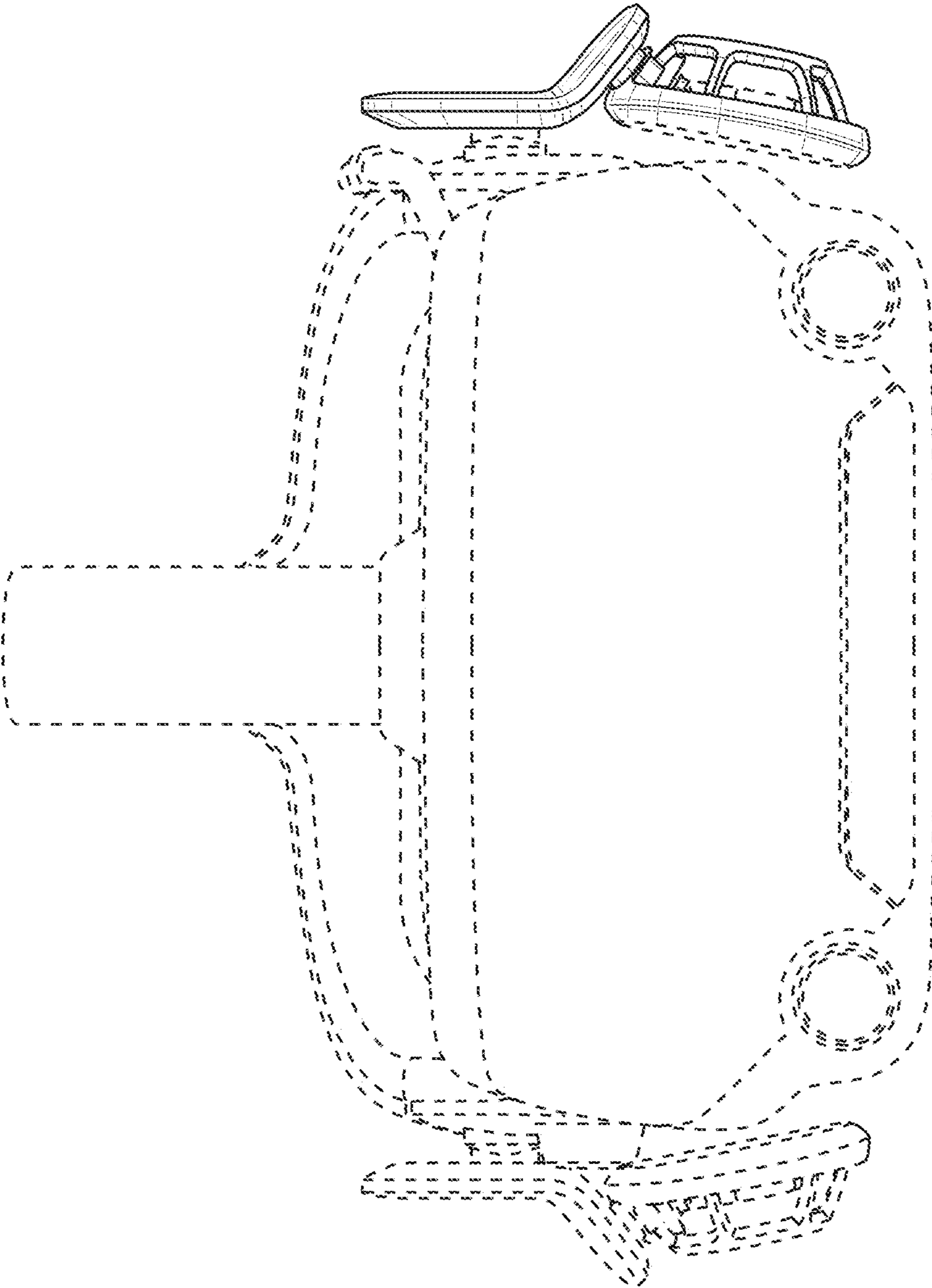


FIG. 9

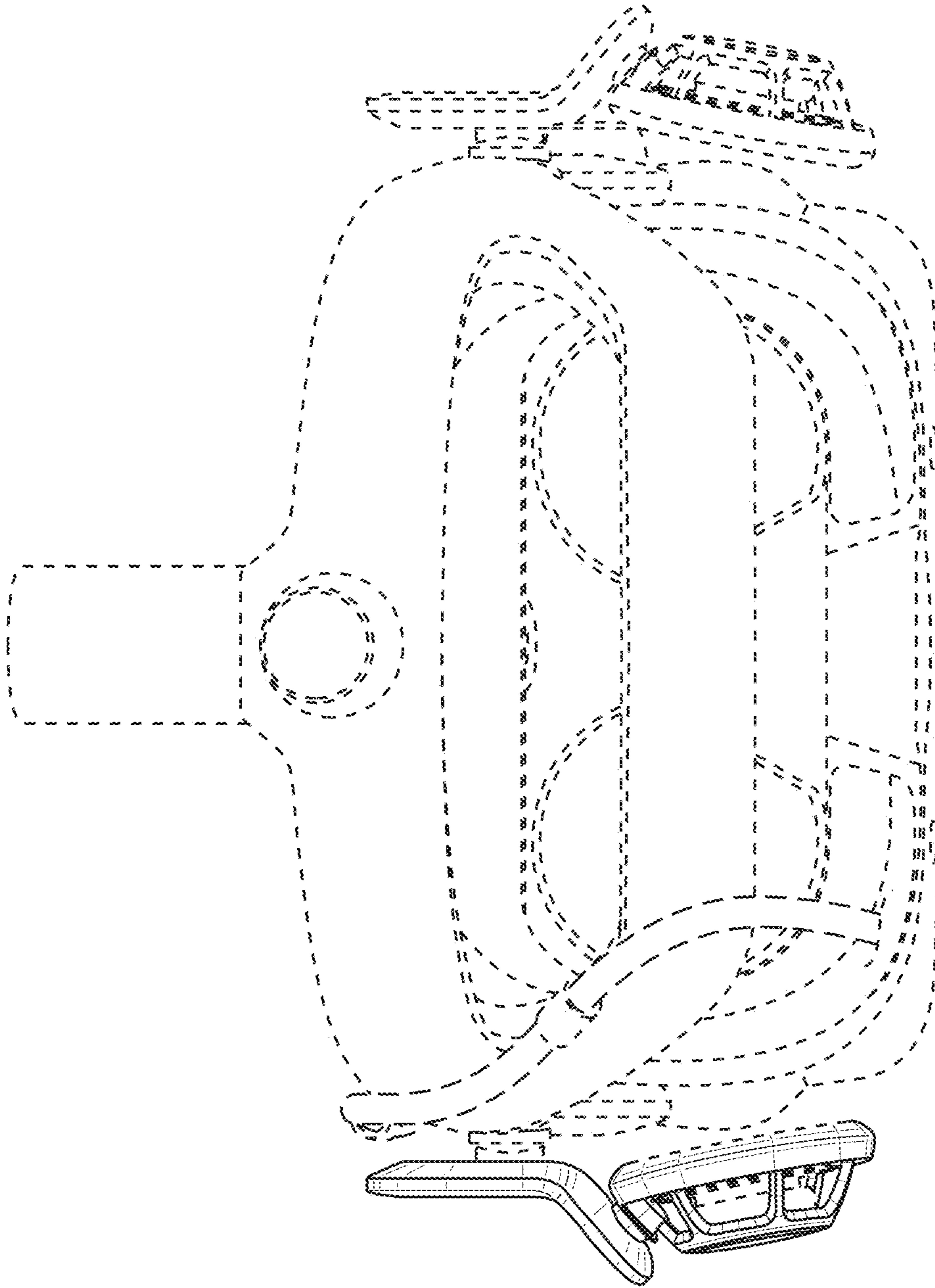


FIG. 10

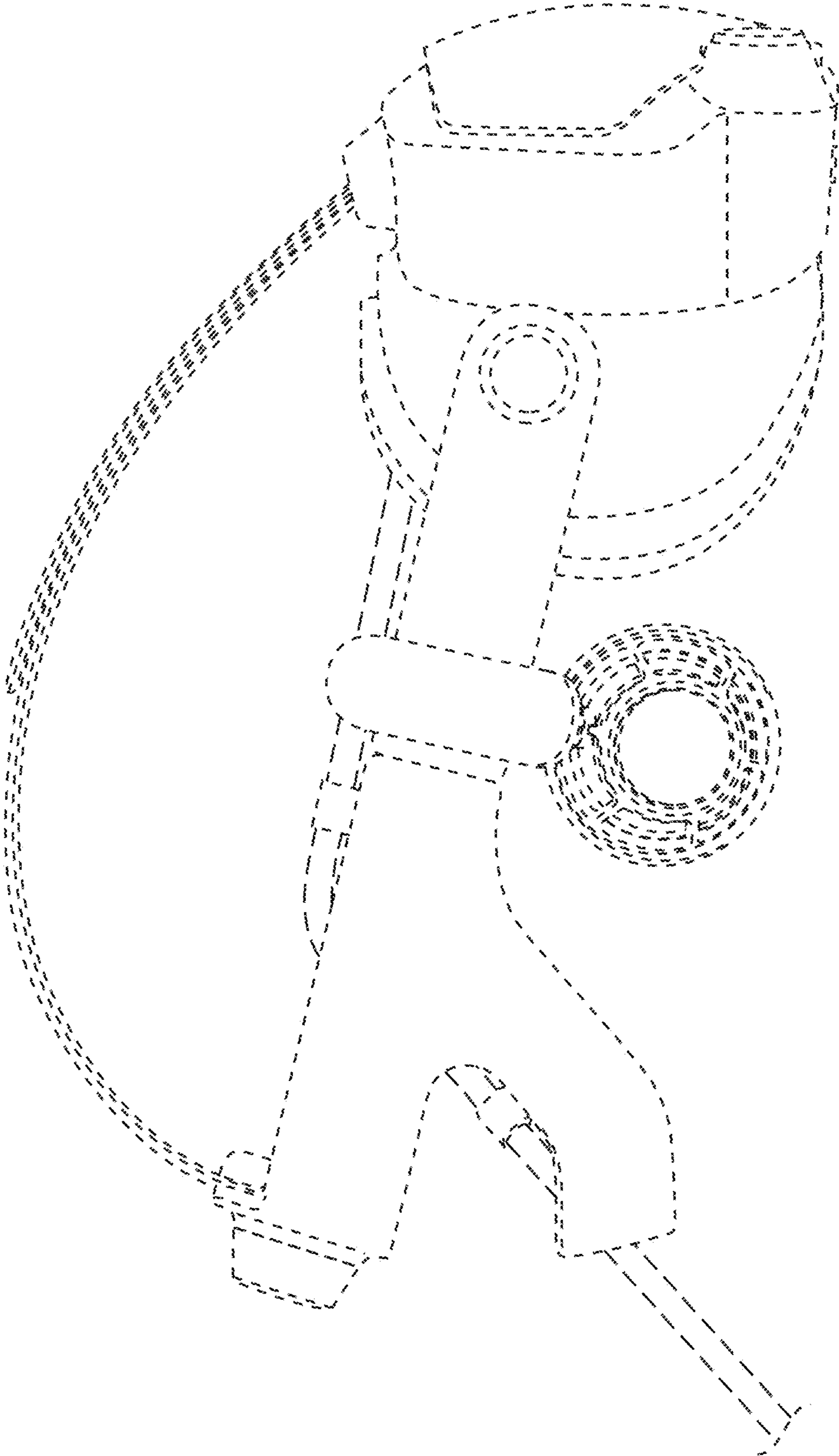


FIG. 11

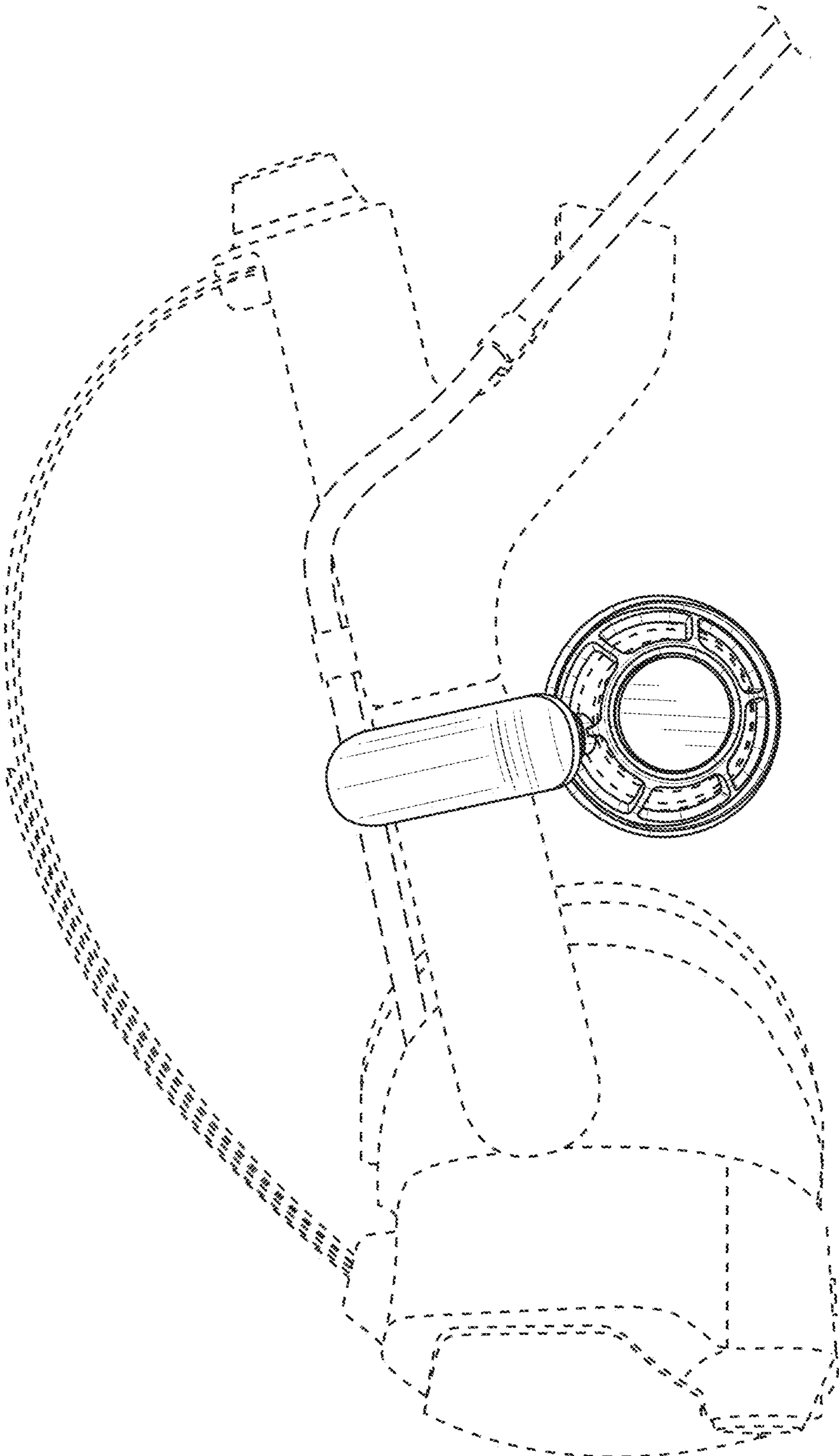


FIG. 12

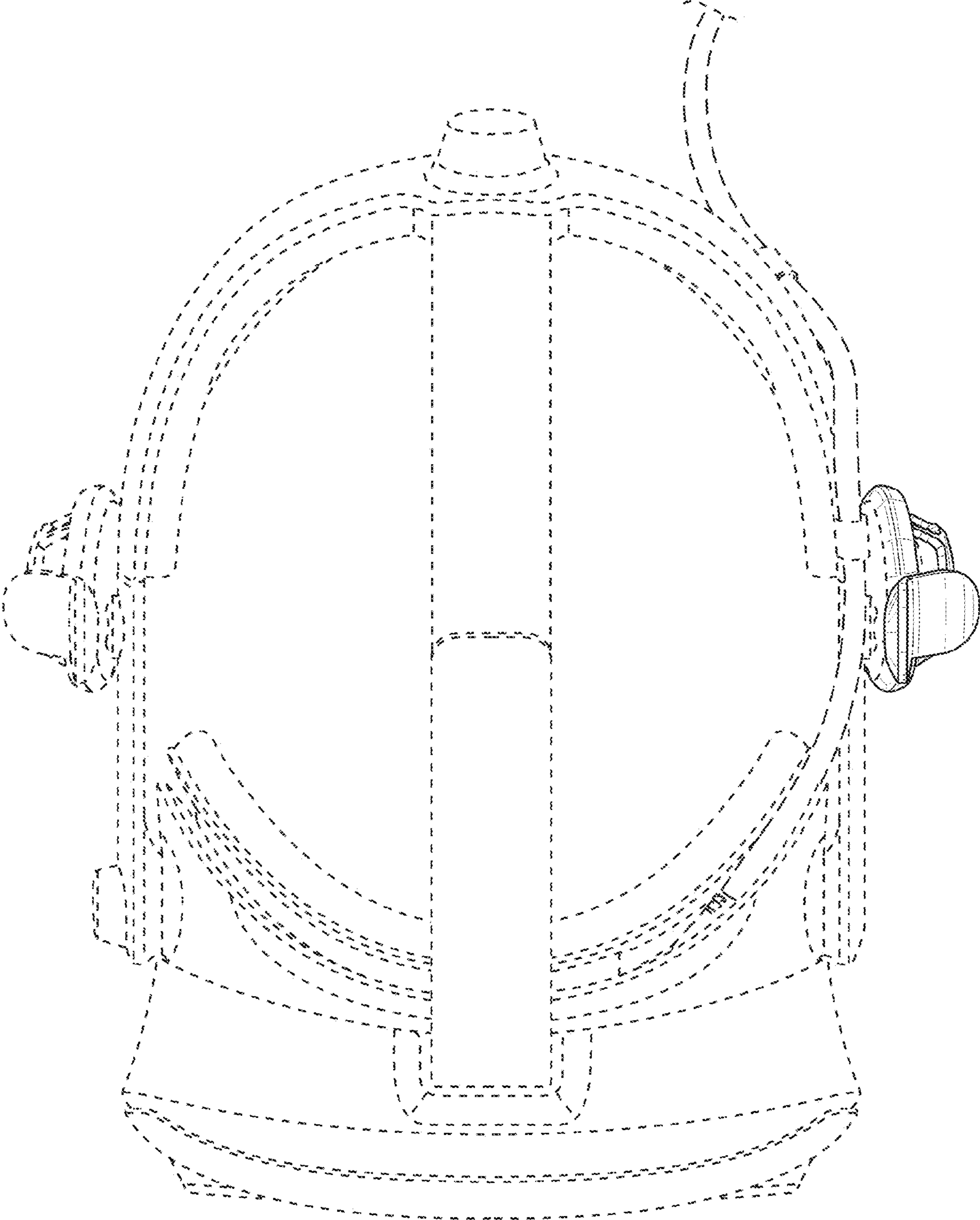


FIG. 13

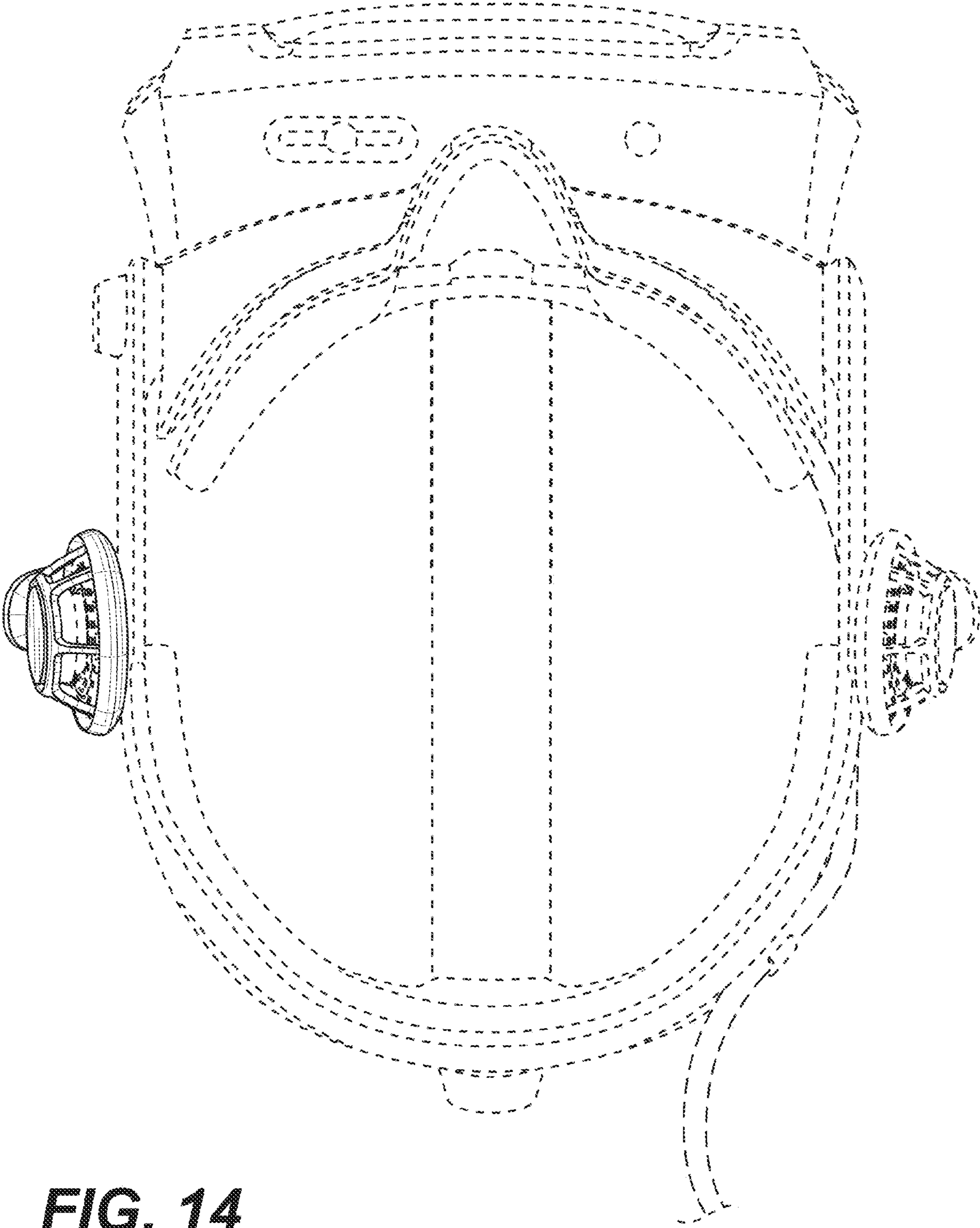


FIG. 14