



US00D956044S

(12) **United States Design Patent**  
**Cho et al.**

(10) **Patent No.:** **US D956,044 S**  
(45) **Date of Patent:** **\*\* Jun. 28, 2022**

(54) **MONITOR**

(71) Applicant: **SAMSUNG ELECTRONICS CO., LTD.**, Suwon-si (KR)

(72) Inventors: **Ju-Won Cho**, Suwon-si (KR);  
**Sung-Jin Ann**, Suwon-si (KR)

(73) Assignee: **SAMSUNG ELECTRONICS CO., LTD.**, Gyeonggi-Do (KR)

(\*\*) Term: **15 Years**

(21) Appl. No.: **29/725,842**

(22) Filed: **Feb. 27, 2020**

(30) **Foreign Application Priority Data**

Aug. 30, 2019 (KR) ..... 30-2019-0041666

(51) **LOC (13) Cl.** ..... **14-02**

(52) **U.S. Cl.**  
USPC ..... **D14/371**

(58) **Field of Classification Search**  
USPC ..... D14/126, 183, 138 R, 138 AA, 138 C,  
D14/138 G, 140.11, 203.1, 203.3, 203.7,  
(Continued)

(56) **References Cited**

**U.S. PATENT DOCUMENTS**

D320,020 S \* 9/1991 Iwano ..... D14/216  
D526,312 S \* 8/2006 Kuribayashi ..... D14/221  
(Continued)

**FOREIGN PATENT DOCUMENTS**

CN 305326747 \* 8/2019  
EM 001366405-0001 4/2013  
(Continued)

**OTHER PUBLICATIONS**

49" CHG90 QLED Gaming Monitor, Samsung, samsung.com, author and date unlisted © 1995-2021 Samsung, online, site visited May 28, 2021. Available at URL: <https://www.samsung.com/us/computing/monitors/gaming/49--chg90-qled-gaming-monitor-lc49hg90dmnxza/> (Year: 2021).\*

(Continued)

*Primary Examiner* — Sandra Snapp

*Assistant Examiner* — Altaira J Swangin

(74) *Attorney, Agent, or Firm* — Cantor Colburn LLP

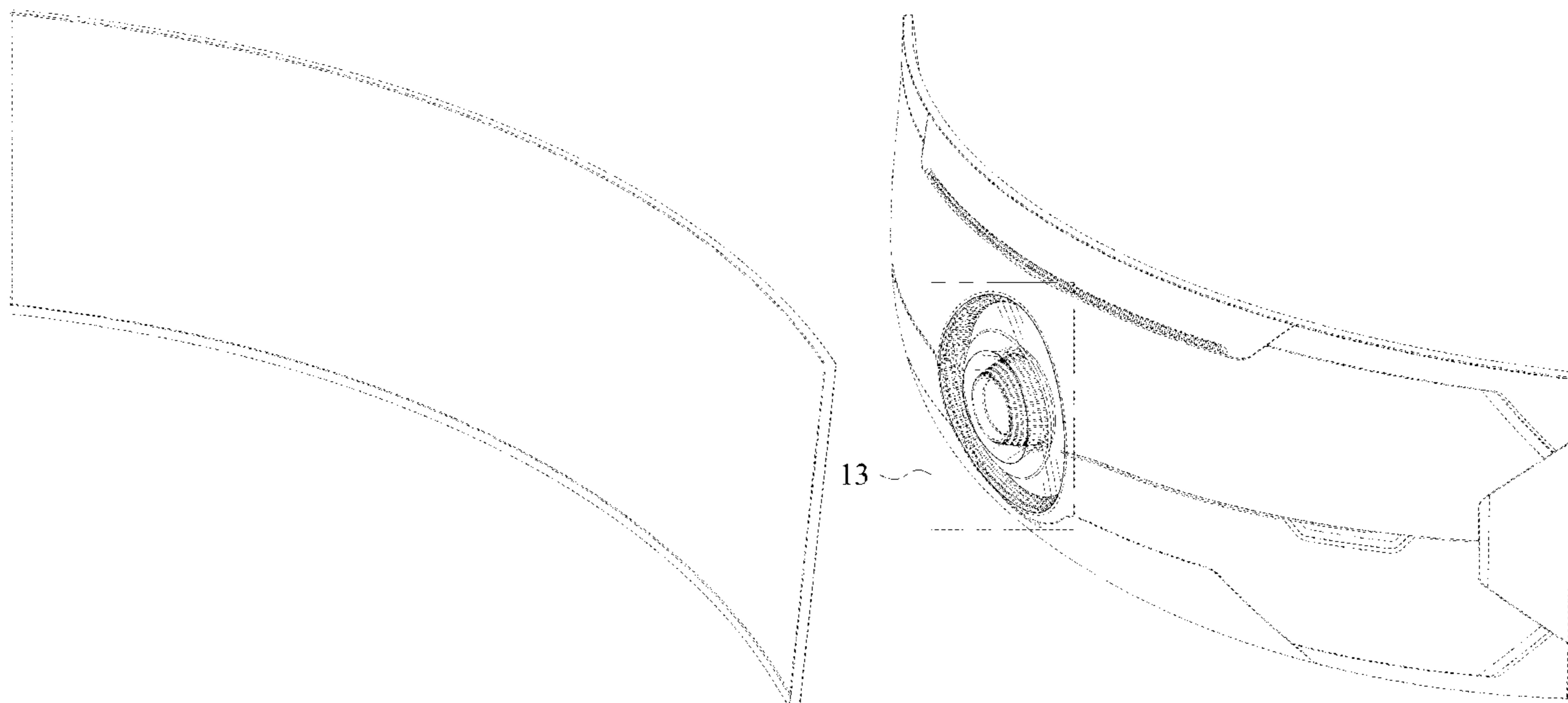
(57) **CLAIM**

The ornamental design for a monitor, as shown and described.

**DESCRIPTION**

FIG. 1 is a front perspective view of a monitor, showing our new design;  
FIG. 2 is a front view thereof;  
FIG. 3 is a rear view thereof;  
FIG. 4 is a left-side view thereof;  
FIG. 5 is a right-side view thereof;  
FIG. 6 is a top view thereof;  
FIG. 7 is a bottom view thereof;  
FIG. 8 is a rear perspective view thereof;  
FIG. 9 is an exploded view of FIG. 8;  
FIG. 10 is an enlarged view of the portion 10 of FIG. 3;  
FIG. 11 is an enlarged view of the portion 11 of FIG. 6;  
FIG. 12 is an enlarged view of the portion 12 of FIG. 7; and,  
FIG. 13 is an enlarged view of the portion 13 of FIG. 8.  
The even-dash broken lines illustrating portions of the monitor form no part of the claimed design.  
The dash-dot broken lines in FIGS. 3, 6-8 and 10-13 represent the locations of the detail views. The dash-dot broken lines themselves form no part of the claimed design.

**1 Claim, 13 Drawing Sheets**



# US D956,044 S

(58) **Field of Classification Search**

USPC ..... D14/217, 250, 289, 305, 307, 335–336,  
D14/340, 371, 424, 432, 448–450, 464,  
D14/510, 372, 374–379, 451; D20/10,  
D20/17–18, 27, 38–39, 42, 44  
CPC ..... G09F 13/00; G09F 19/22; G09F 15/0006  
See application file for complete search history.

D900,816 S \* 11/2020 Kim ..... D14/374  
D900,817 S \* 11/2020 Ryu ..... D14/374  
D901,500 S \* 11/2020 Kim ..... D14/374  
D903,658 S \* 12/2020 Catania ..... D14/336  
D909,368 S \* 2/2021 Seo ..... D14/336  
D912,044 S \* 3/2021 Seo ..... D14/336  
D918,861 S \* 5/2021 Chen ..... D14/204  
D918,908 S \* 5/2021 Kang ..... D14/375  
D920,280 S \* 5/2021 DeLuna ..... D14/204  
D920,281 S \* 5/2021 DeLuna ..... D14/204  
D920,286 S \* 5/2021 Jensen ..... D14/216  
D924,233 S \* 7/2021 Kang ..... D14/371  
D926,185 S \* 7/2021 Kim ..... D14/371  
D933,077 S \* 10/2021 Cho ..... D14/452  
2019/0227369 A1 \* 7/2019 Park ..... G02F 1/133308  
2019/0258112 A1 \* 8/2019 Nagasaki ..... G02F 1/1333

(56) **References Cited**

U.S. PATENT DOCUMENTS

D591,730 S \* 5/2009 Pantaleone ..... D14/216  
D617,360 S \* 6/2010 Endo ..... D16/134  
D664,122 S \* 7/2012 Cho ..... D14/215  
D686,584 S \* 7/2013 Yoo et al.  
D721,350 S \* 1/2015 Kim ..... D14/194  
D725,616 S \* 3/2015 Oh ..... D14/126  
D738,838 S \* 9/2015 Seo et al.  
D744,981 S \* 12/2015 Choi ..... D14/209.1  
D750,076 S \* 2/2016 Lam et al.  
D750,626 S \* 3/2016 Schoenert et al.  
D770,416 S \* 11/2016 Tkachuk ..... D14/216  
D780,706 S \* 3/2017 Kim ..... D14/126  
D805,516 S \* 12/2017 Bae ..... D14/374  
D818,468 S \* 5/2018 Jung ..... D14/374  
D831,647 S \* 10/2018 Woo ..... D14/374  
D858,473 S \* 9/2019 Lee ..... D14/126  
D864,150 S \* 10/2019 Kim ..... D14/204  
D866,494 S \* 11/2019 Kim ..... D14/126  
D867,323 S \* 11/2019 Cho ..... D14/204  
D871,406 S \* 12/2019 Kim ..... D14/374  
D872,085 S \* 1/2020 Lee ..... D14/374  
D873,826 S \* 1/2020 Yang ..... D14/374  
D875,084 S \* 2/2020 Lopez Castillo ..... D14/221  
D888,677 S \* 6/2020 Ryu ..... D14/126  
D892,766 S \* 8/2020 Matsubayashi ..... D14/216  
D893,479 S \* 8/2020 Ryu ..... D14/374  
D895,617 S \* 9/2020 Little ..... D14/374  
D900,815 S \* 11/2020 Kang ..... D14/371

FOREIGN PATENT DOCUMENTS

GB 8208427000-6000 \* 2/2020  
WO WO-D208427-001 \* 8/2020  
WO WO-D208427-003 \* 8/2020  
WO WO-D208427-004 \* 8/2020

OTHER PUBLICATIONS

2: 49" Odyssey Super Ultra Wide QLED Gaming Monitor, Samsung, samsung.com, author unlisted, published Nov. 25, 2020 per waybackmachine© 1995-2021 Samsung, online, site visited May 28, 2021. Available at URL: <https://www.samsung.com/levant/monitors/gaming/odyssey-g9-dqhd-monitor-with-1000r-curved-display-49-inch-lc49g95tssmxzn/> (Year: 2020).\*

Ultra Wide 49WL95 Monitor, LG, providecoalition.com, published by Jose Antunes on Dec. 19, 2018 © 2021 ProVideo Coalition, online, site visited May 28, 2021. Available at URL: <https://www.providecoalition.com/lg-will-unveil-its-49-inch-superior-productivity-monitor-at-ces-2019/> (Year: 2018).\*

\* cited by examiner

FIG. 1

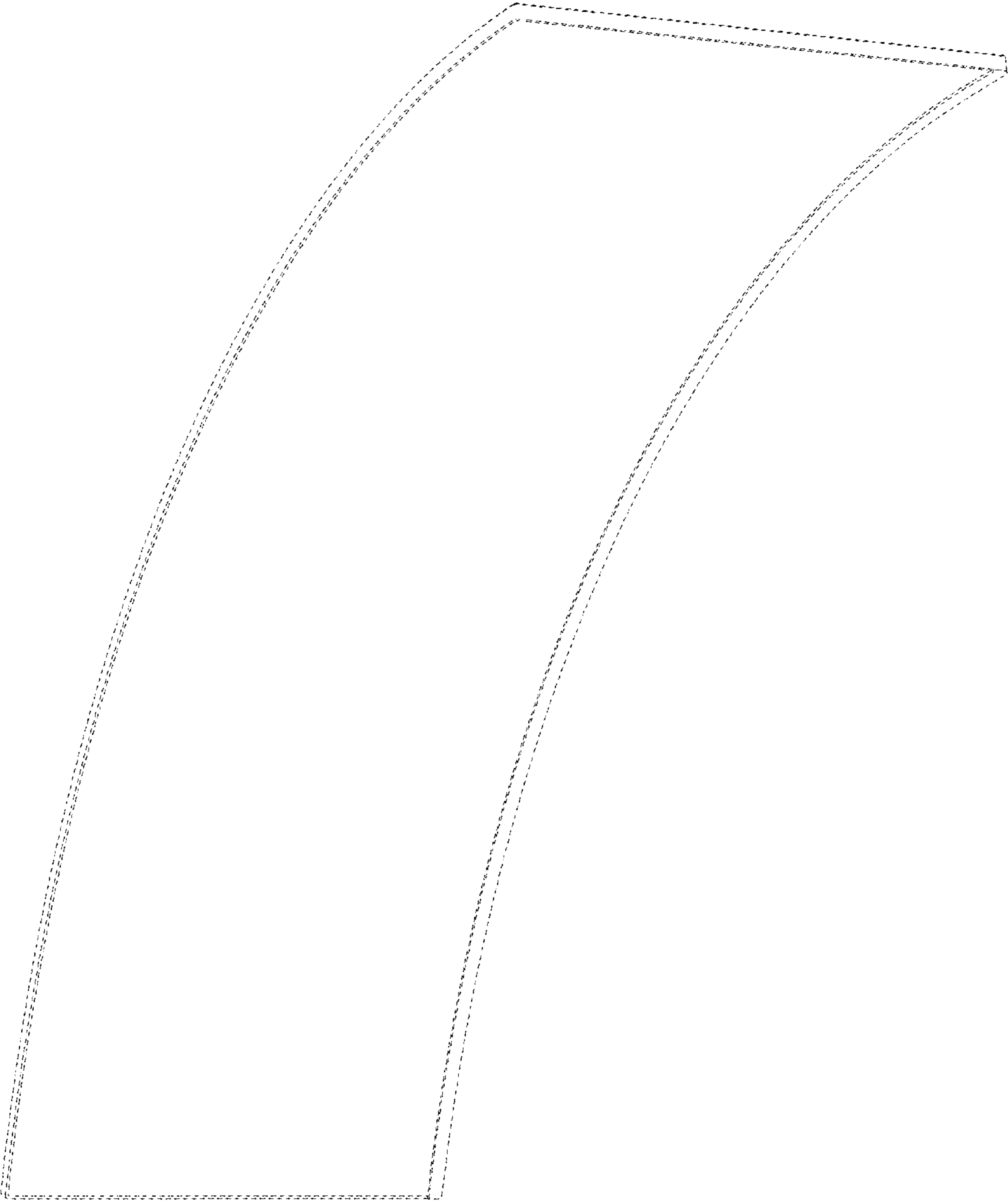


FIG. 2

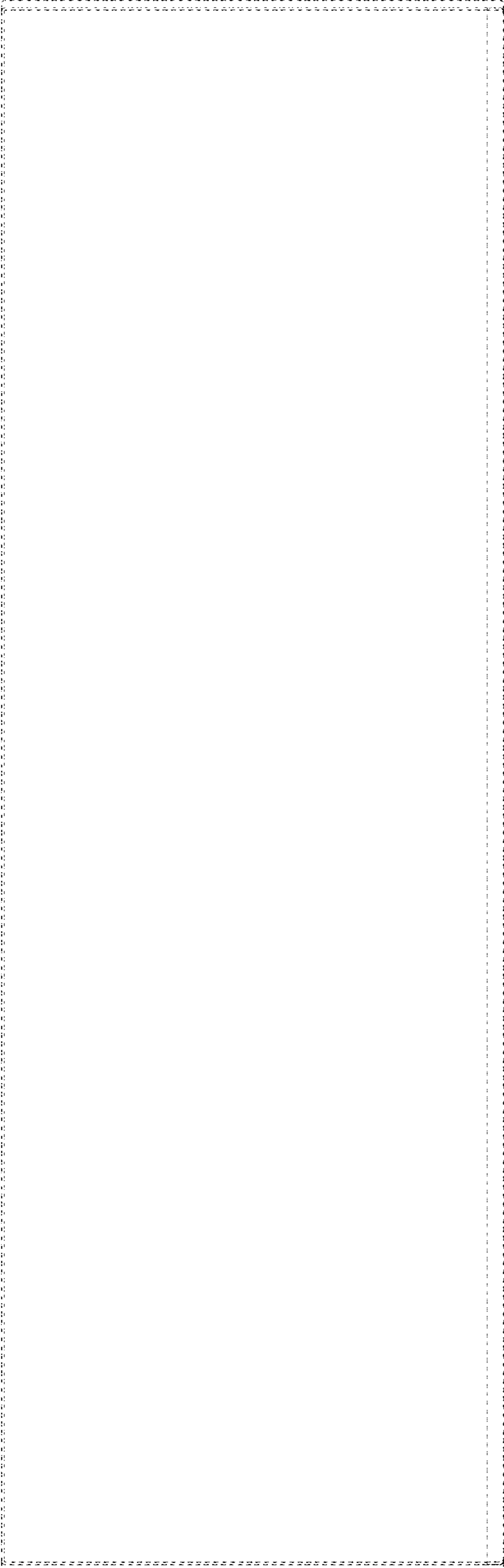


FIG. 3

10

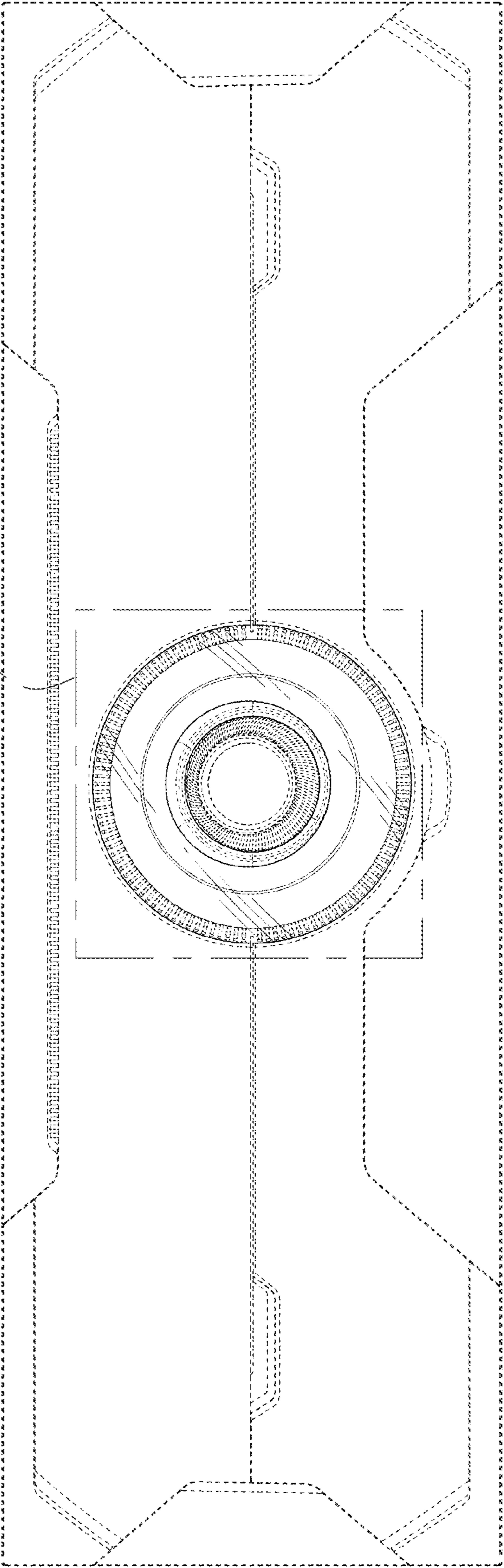


FIG. 4

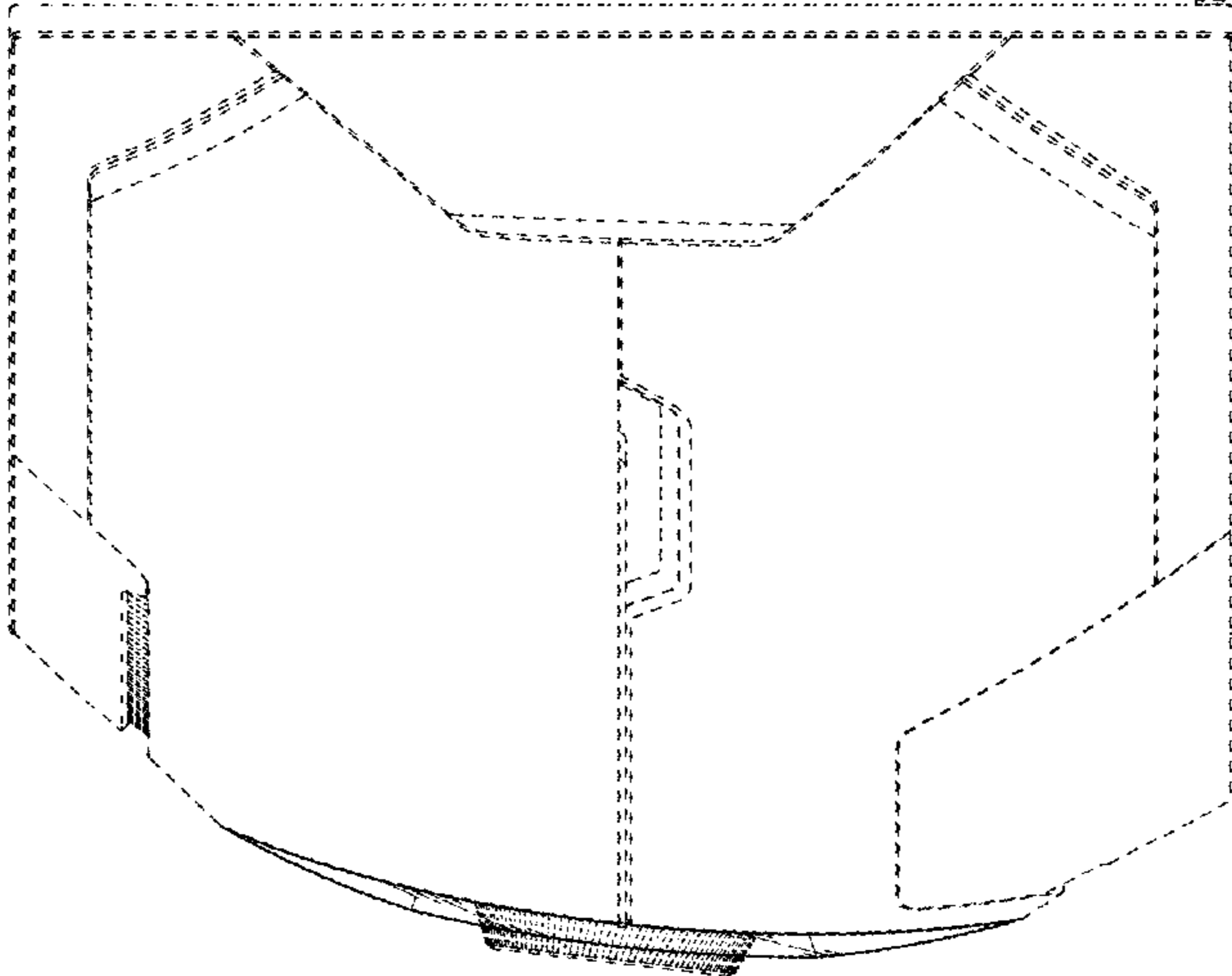


FIG. 5

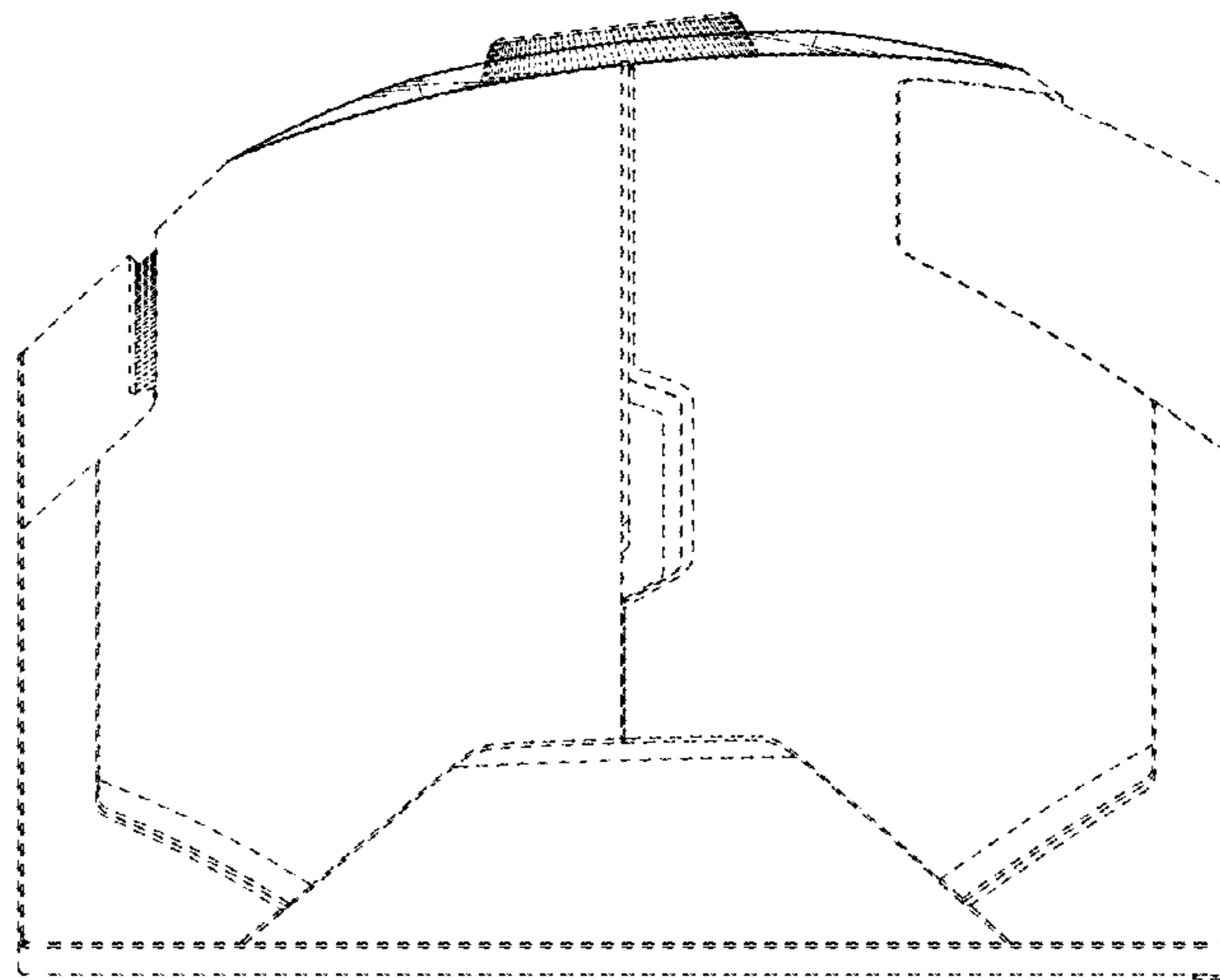


FIG. 6

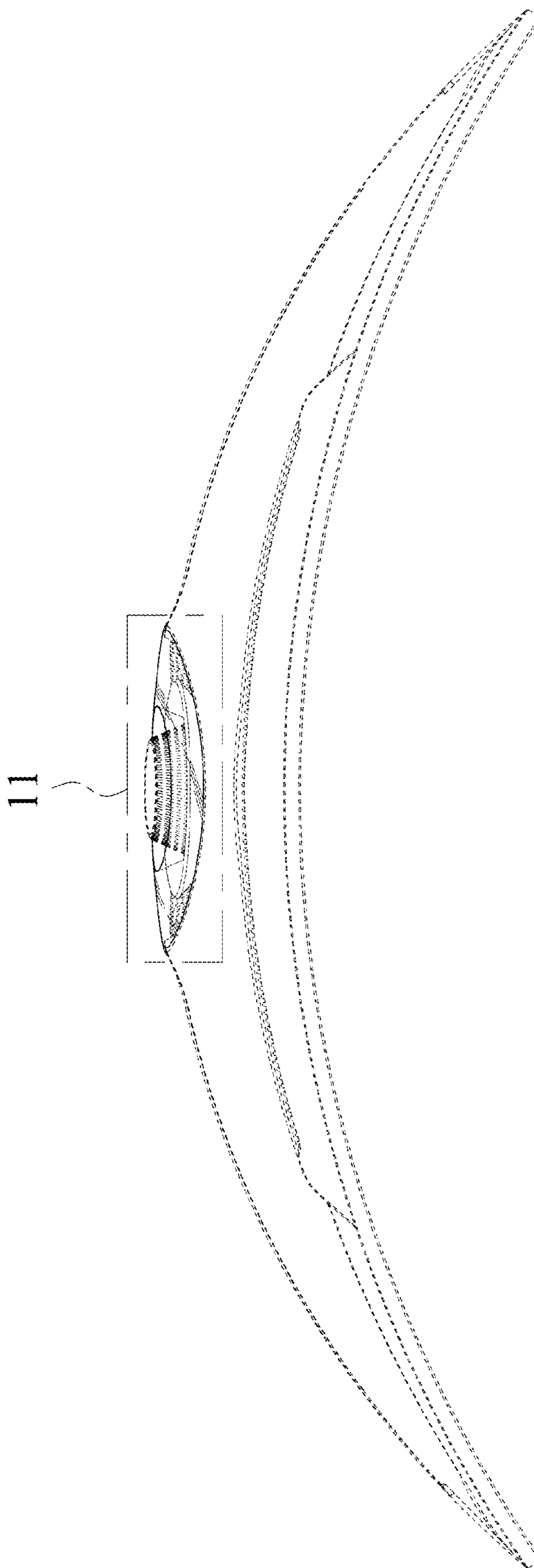




FIG. 7

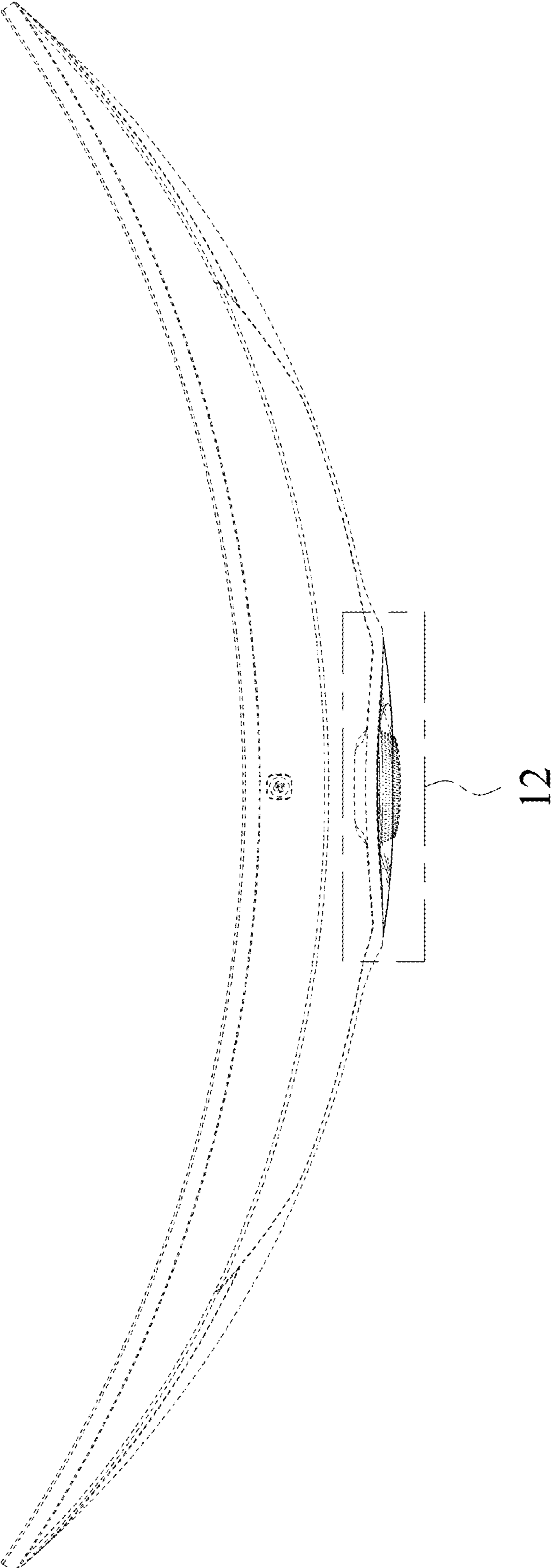


FIG. 8

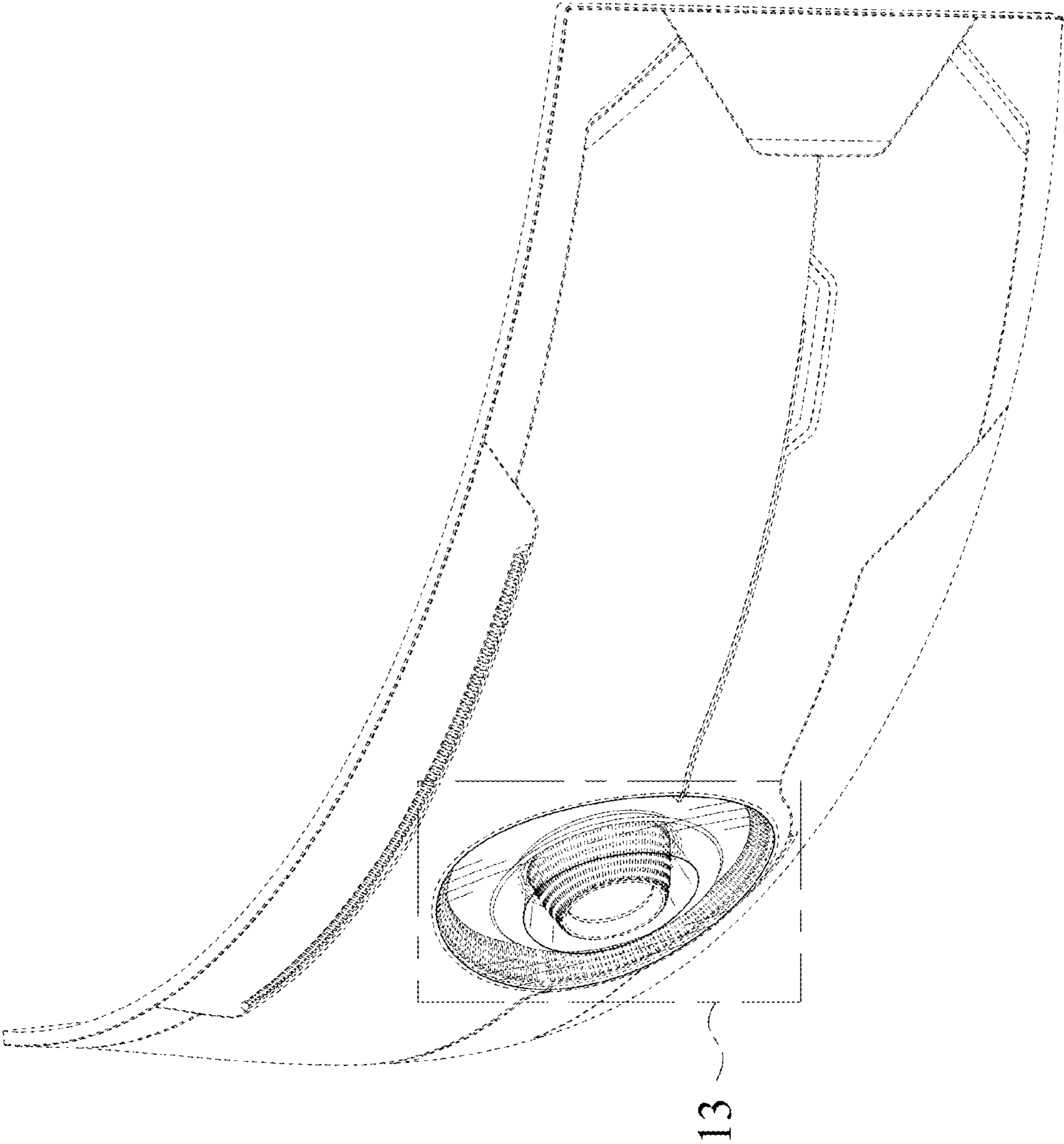


FIG. 9

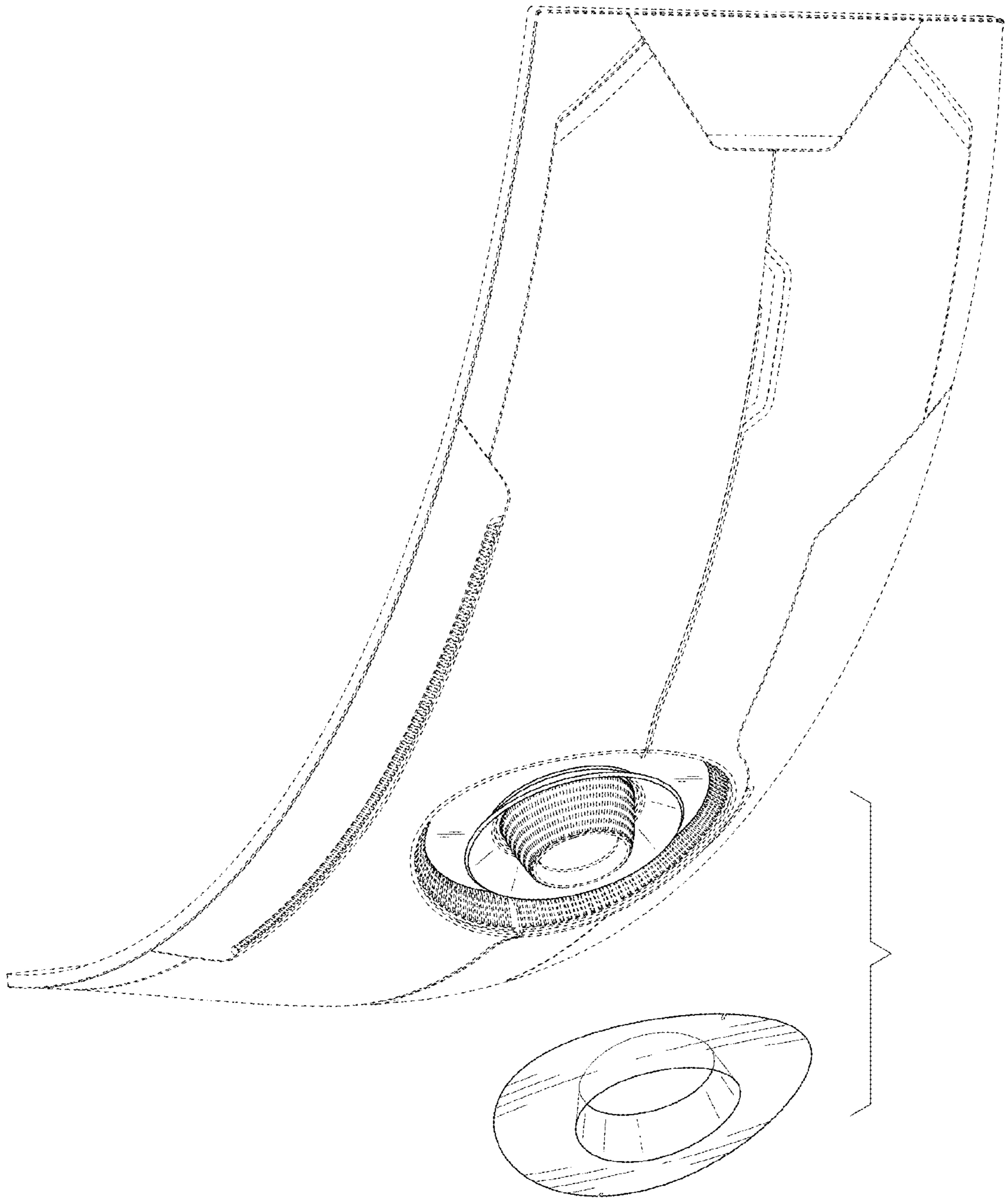


FIG. 10

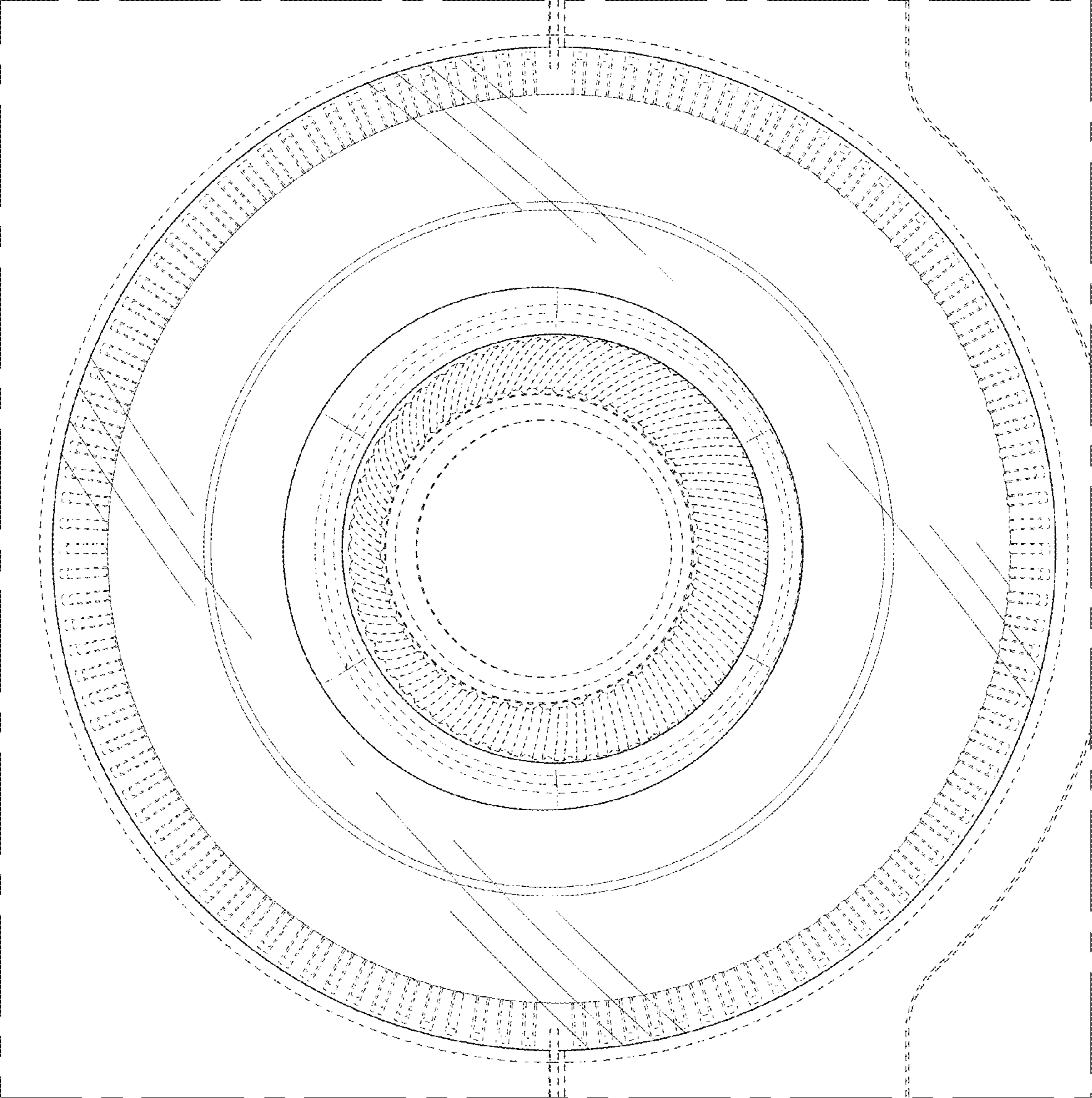


FIG. 11

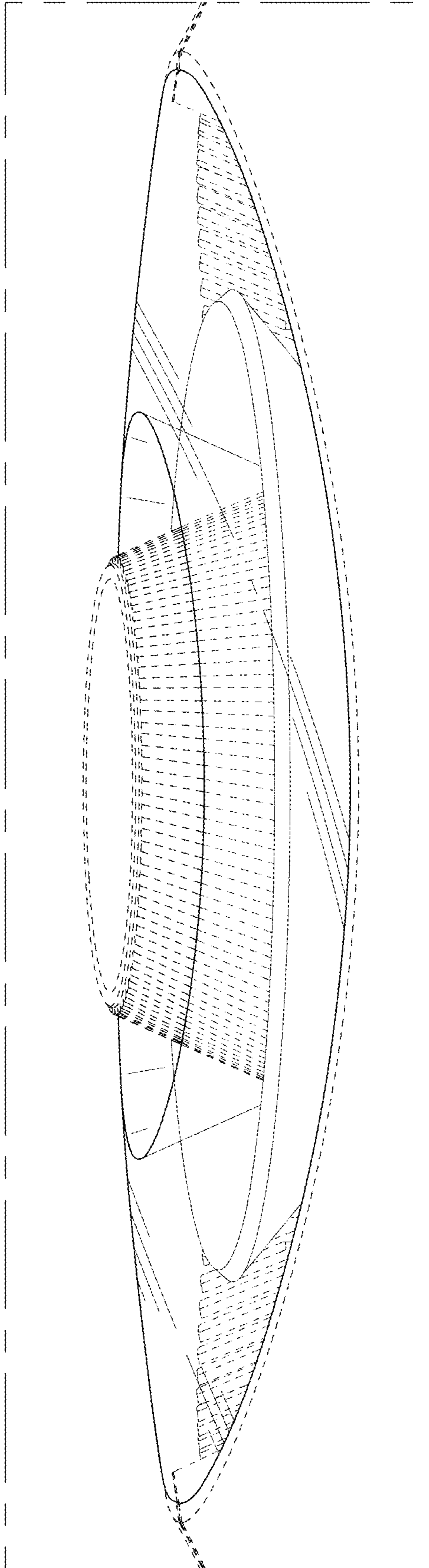


FIG. 12

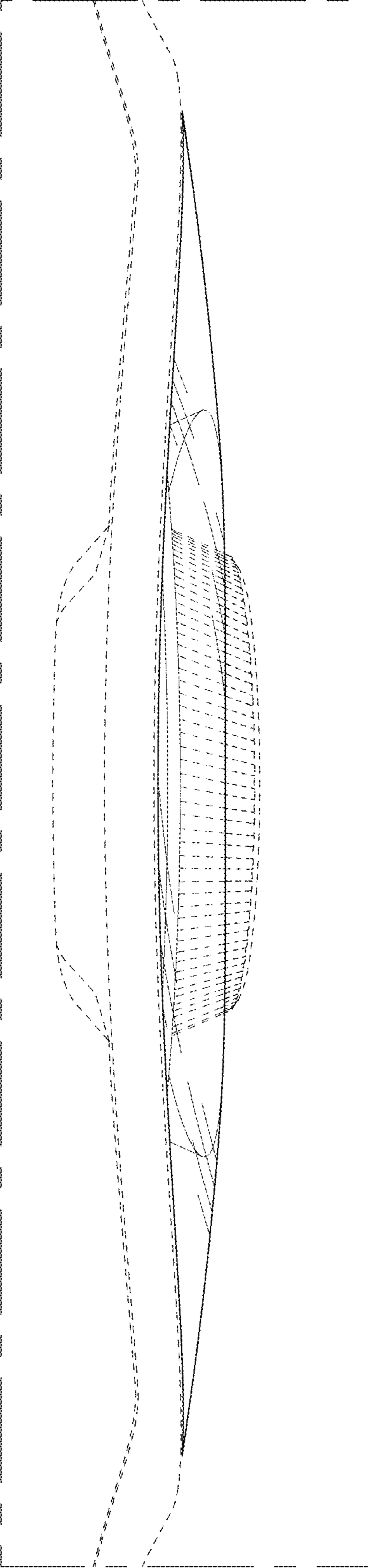


FIG. 13

