

US00D956039S

(12) **United States Design Patent**  
**Lee et al.**

(10) **Patent No.:** **US D956,039 S**  
(45) **Date of Patent:** **\*\* Jun. 28, 2022**

(54) **MOBILE PHONE**

(71) Applicant: **LG ELECTRONICS INC.**, Seoul (KR)

(72) Inventors: **Jonghak Lee**, Seoul (KR); **Hongkyu Park**, Seoul (KR); **Jinki Min**, Seoul (KR); **Seunghyun Ji**, Seoul (KR); **Sojin Kim**, Seoul (KR)

(73) Assignee: **LG ELECTRONICS INC.**, Seoul (KR)

(\*\*) Term: **15 Years**

(21) Appl. No.: **29/722,922**

(22) Filed: **Feb. 3, 2020**

(30) **Foreign Application Priority Data**

Aug. 8, 2019 (JP) ..... 2019-017783

(51) **LOC (13) Cl.** ..... **14-03**

(52) **U.S. Cl.**  
USPC ..... **D14/341**

(58) **Field of Classification Search**  
USPC ..... D14/336, 341, 342, 345, 348, 371, 374,  
D14/378, 379, 426, 432, 439, 126, 129,  
(Continued)

(56) **References Cited**

**U.S. PATENT DOCUMENTS**

D636,752 S \* 4/2011 Liao ..... D14/138 G  
8,711,566 B2 \* 4/2014 O'Brien ..... G06F 1/1624  
361/724

(Continued)

**FOREIGN PATENT DOCUMENTS**

GB 8203667000-1000 \* 5/2019  
IN 269850-0001 \* 8/2015  
JP D1502484 \* 7/2014

**OTHER PUBLICATIONS**

First Foldable Tablet Phone, tabletmonkeys.com, Sep. 5, 2017.  
<https://tabletmonkeys.com/first-foldable-tablet-phone-zte-axon-multy-to-launch-in-october-according-to-leak/> (Year: 2017).\*

(Continued)

*Primary Examiner* — Llorellys Martinez

*Assistant Examiner* — Kwabena A. Ankobiah

(74) *Attorney, Agent, or Firm* — Birch, Stewart, Kolasch & Birch, LLP

(57) **CLAIM**

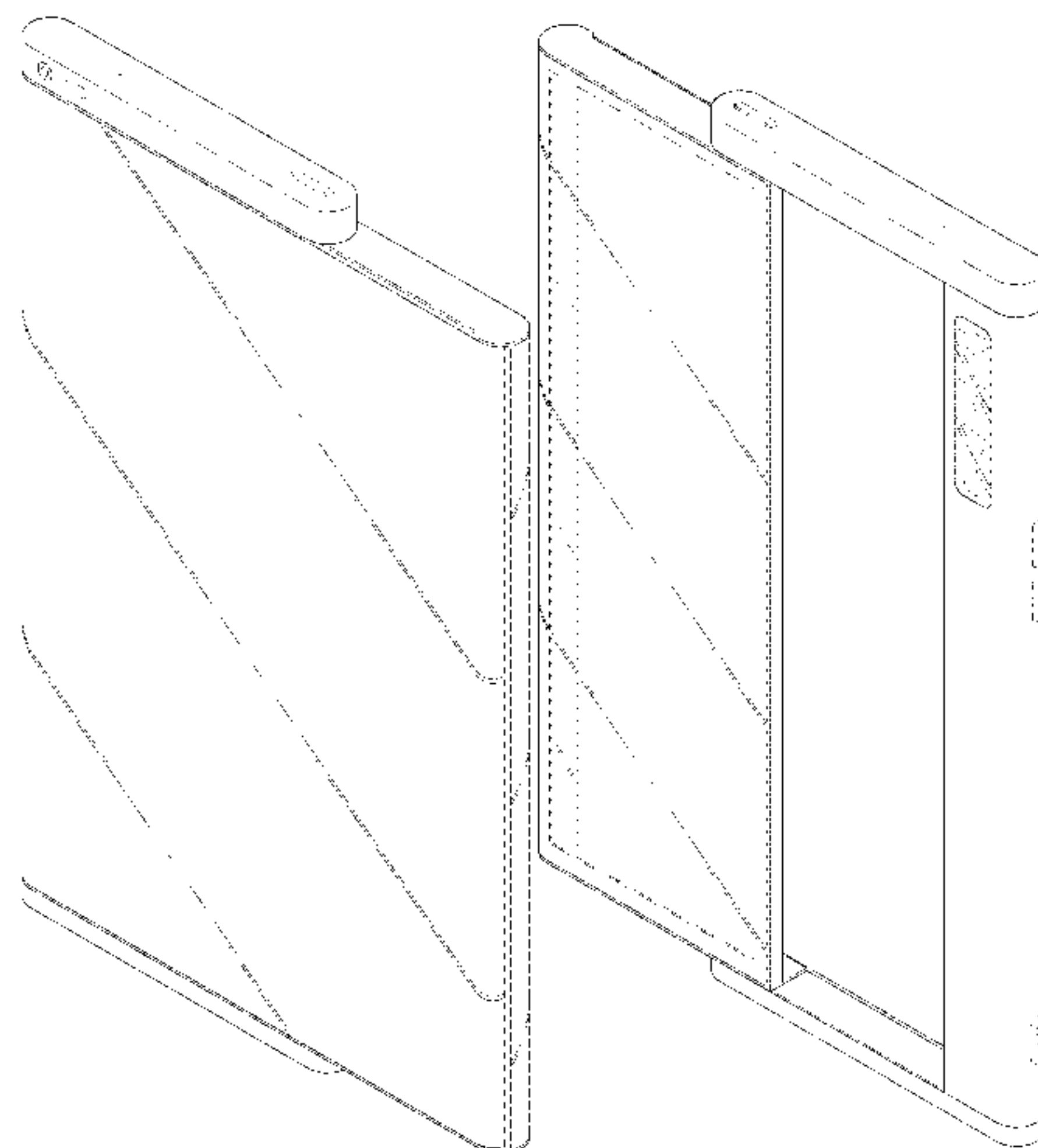
The ornamental design for a mobile phone, as shown and described.

**DESCRIPTION**

FIG. 1 is a front perspective view of the mobile phone showing our new design;  
FIG. 2 is a front view thereof;  
FIG. 3 is a rear view thereof;  
FIG. 4 is a left side view thereof;  
FIG. 5 is a right side view thereof;  
FIG. 6 is a top plan view thereof;  
FIG. 7 is a bottom plan view thereof;  
FIG. 8 is a rear perspective view thereof;  
FIG. 9 is another rear perspective view thereof, showing the mobile phone where a graphic is displayed;  
FIG. 10 is another front perspective view thereof, showing the mobile phone of FIG. 1 in an alternate configuration;  
FIG. 11 is a front view of FIG. 10;  
FIG. 12 is a rear view of FIG. 10;  
FIG. 13 is a left side view of FIG. 10;  
FIG. 14 is a right side view of FIG. 10;  
FIG. 15 is a top plan view of FIG. 10;  
FIG. 16 is a bottom plan view of FIG. 10; and,  
FIG. 17 is a rear perspective view of FIG. 10.

The broken lines in the drawing depict portions of the mobile phone that form no part of the claim. The other

(Continued)



broken lines in FIG. 9, showing a graphic, represent environmental subject matter only and form no part of the claimed design.

**1 Claim, 17 Drawing Sheets**

(58) **Field of Classification Search**

USPC ..... D14/130, 496, 137, 138 R, 138 AA, D14/138 AB, 138 AC, 138 AD, 138 C, D14/138 G, 147, 203.1, 203.3, 203.4, D14/203.7, 218, 247, 248, 388, 389; D6/308; D10/104.1, 50, 74; D21/324, D21/329, 330, 332; D24/186; D13/130, D13/107, 118, 119  
 CPC ..... G06F 3/041; G06F 3/0412; G06F 3/0488; G06F 3/04883; G06F 1/1613; G06F 1/1626; G06F 1/1692; H04M 1/0202; H04M 1/0235; H04M 1/0237; H04M 1/0239; H04M 1/0266; H04M 1/0268; H04M 1/027; H04M 1/0295; H04M 1/02; H04M 1/0279; H04M 1/0283; H04M 1/72463; H04M 1/72469; H04M 1/72454; G09G 3/344

See application file for complete search history.

(56) **References Cited**

U.S. PATENT DOCUMENTS

D716,253 S \* 10/2014 Lee ..... D14/138 AB  
 D722,037 S \* 2/2015 Nam ..... D14/138 G  
 D761,251 S \* 7/2016 Senda ..... D14/341  
 D761,253 S \* 7/2016 Yamazaki ..... D14/341  
 D761,787 S \* 7/2016 Yamazaki ..... D14/341  
 D761,788 S \* 7/2016 Yamazaki ..... D14/341  
 D761,789 S \* 7/2016 Yamazaki ..... D14/341  
 D761,790 S \* 7/2016 Yamazaki ..... D14/341  
 D768,594 S \* 10/2016 Szeto ..... D14/138 G  
 D777,698 S \* 1/2017 Kim ..... D14/138 G  
 D780,179 S \* 2/2017 Bae ..... D14/374  
 D784,322 S \* 4/2017 Kim ..... D14/341  
 D784,323 S \* 4/2017 Kim ..... D14/341  
 D784,945 S \* 4/2017 Choo ..... D14/138 AB  
 D784,979 S \* 4/2017 Yamazaki ..... D14/341  
 D789,922 S \* 6/2017 Yamazaki ..... D14/341  
 D790,497 S \* 6/2017 Kim ..... D14/138 AA  
 D795,825 S \* 8/2017 Kim ..... D14/138 R  
 D805,069 S \* 12/2017 Won ..... D14/371  
 D812,605 S \* 3/2018 Senda ..... D14/341  
 D838,270 S \* 1/2019 Cho ..... D14/341  
 D860,286 S \* 9/2019 Unwin ..... G02F 1/133305  
 D867,348 S \* 11/2019 Kim ..... D16/135  
 D14/248

10,553,135 B2 \* 2/2020 Lee ..... G02F 1/133305  
 D890,113 S \* 7/2020 Ma ..... D14/138 G  
 D901,418 S \* 11/2020 Ma ..... D14/138 G  
 10,880,417 B1 \* 12/2020 Song ..... H04M 1/0237  
 10,904,371 B1 \* 1/2021 Song ..... G06F 1/1652  
 D912,045 S \* 3/2021 Han ..... D14/138 AD  
 10,936,017 B1 \* 3/2021 Choi ..... G06F 1/1643  
 10,938,970 B1 \* 3/2021 Lee ..... H04M 1/0237  
 10,955,876 B1 \* 3/2021 Song ..... G06F 1/1656  
 10,963,014 B1 \* 3/2021 Park ..... G06F 1/1624  
 D915,336 S \* 4/2021 Lee ..... D14/138 AD  
 D917,412 S \* 4/2021 Seo ..... D14/138 AB  
 D923,598 S \* 6/2021 Lee ..... H04M 1/0268  
 D14/138 AD  
 11,043,191 B1 \* 6/2021 Kang ..... G06F 1/1652  
 11,051,413 B2 \* 6/2021 Yang ..... G06F 1/1626  
 D926,718 S \* 8/2021 Lee ..... G06F 1/1624  
 D14/138 AD  
 D936,625 S \* 11/2021 Lee ..... D14/138 AD  
 D936,626 S \* 11/2021 Lee ..... D14/138 AD  
 D936,627 S \* 11/2021 Lee ..... D14/138 AD  
 2012/0019482 A1 \* 1/2012 Wang ..... G06F 1/1652  
 345/175  
 2017/0364119 A1 \* 12/2017 Lee ..... G06F 1/1624  
 2020/0253063 A1 \* 8/2020 Jiang ..... G06F 1/1652  
 2021/0092855 A1 \* 3/2021 Choi ..... H04M 1/0268  
 2021/0099557 A1 \* 4/2021 Cha ..... H04M 1/0268  
 2021/0120111 A1 \* 4/2021 Choi ..... G06F 1/1624  
 2021/0157366 A1 \* 5/2021 Shim ..... G06F 3/0412  
 2021/0181801 A1 \* 6/2021 Yin ..... G06F 1/1652  
 2021/0185164 A1 \* 6/2021 Jung ..... H04M 1/72454  
 2021/0185835 A1 \* 6/2021 Song ..... H04M 1/0237  
 2021/0195009 A1 \* 6/2021 Choi ..... H04M 1/0268  
 2021/0218835 A1 \* 7/2021 Song ..... H04M 1/0268  
 2021/0278878 A1 \* 9/2021 Shim ..... H04M 1/0268  
 2021/0326569 A1 \* 10/2021 Song ..... H04M 1/0268  
 2021/0336356 A1 \* 10/2021 Choi ..... H04M 1/0268  
 2021/0337049 A1 \* 10/2021 Noh ..... G06F 3/04883  
 2021/0405696 A1 \* 12/2021 Ahn ..... G06F 1/1624

OTHER PUBLICATIONS

Samsung Device Patents, www.patentlymobile.com, Jan. 12, 2018. <https://www.patentlymobile.com/2018/01/samsung-device-patents-published-this-week-cover-display-devices-that-are-rollable-foldable-and-stretchable.html> (Year: 2018).\*  
 Huawei unveils the foldable Mate X phone, newatlas.com, Feb. 24, 2019. <https://newatlas.com/huawei-mate-x-foldable-5g-phone/58610/> (Year: 2019).\*  
 LG Mobile Patents, www.gizchina.com, Nov. 17, 2019. <https://www.gizchina.com/2019/11/17/lg-mobile-patents-a-new-smartphone-with-a-retractable-display/> (Year: 2019).\*  
 Huawei Mate X 2030, www.concept-phones.com, Feb. 14, 2020. <https://www.concept-phones.com/huawei/huawei-mate-x-2030-is-the-flexible-phone-of-the-future/> (Year: 2020).\*

\* cited by examiner

FIG. 1

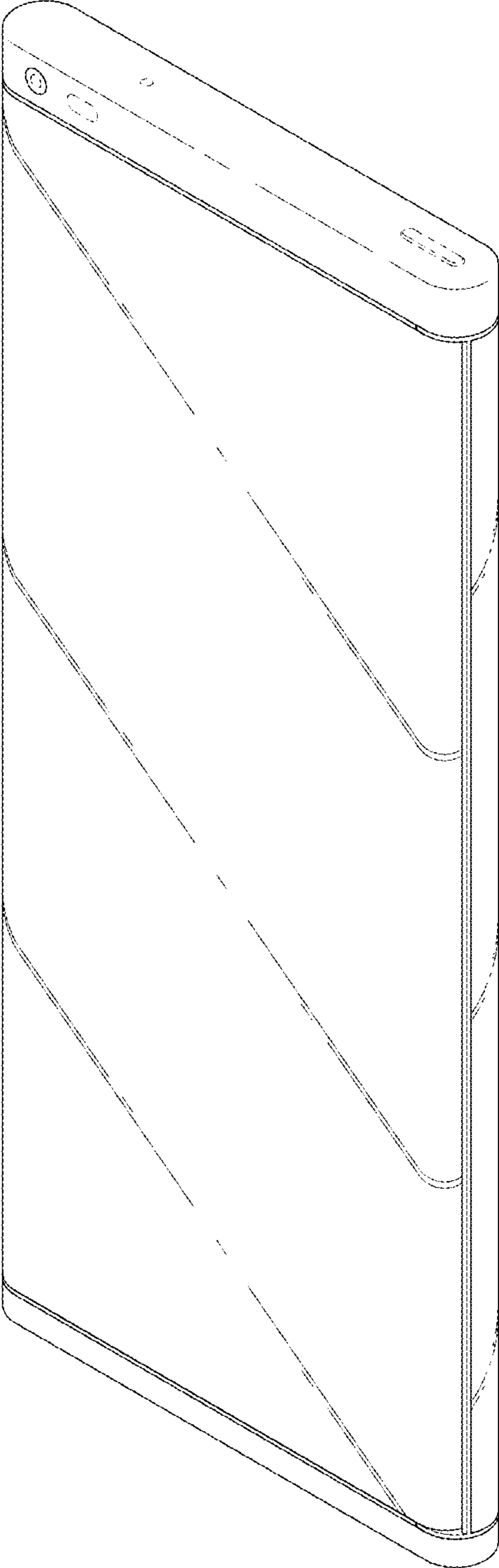




FIG. 2

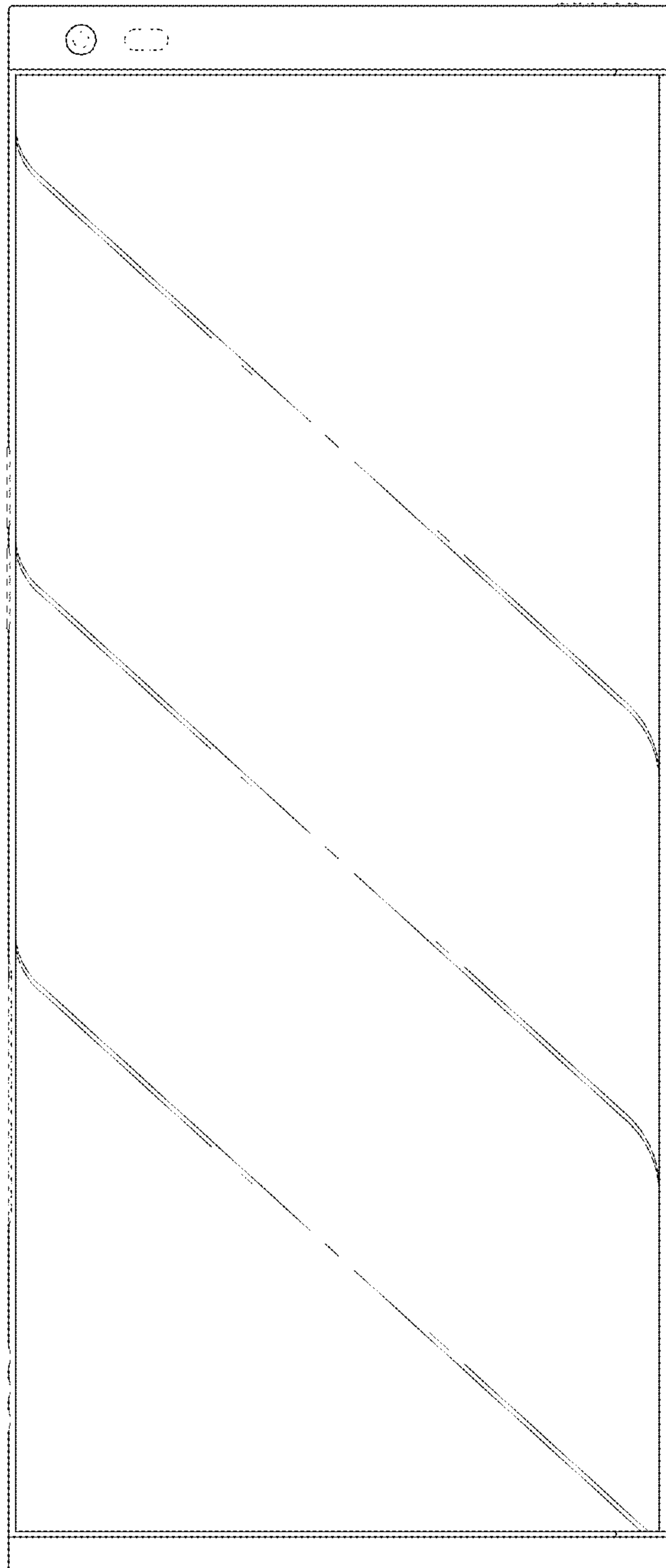


FIG. 3

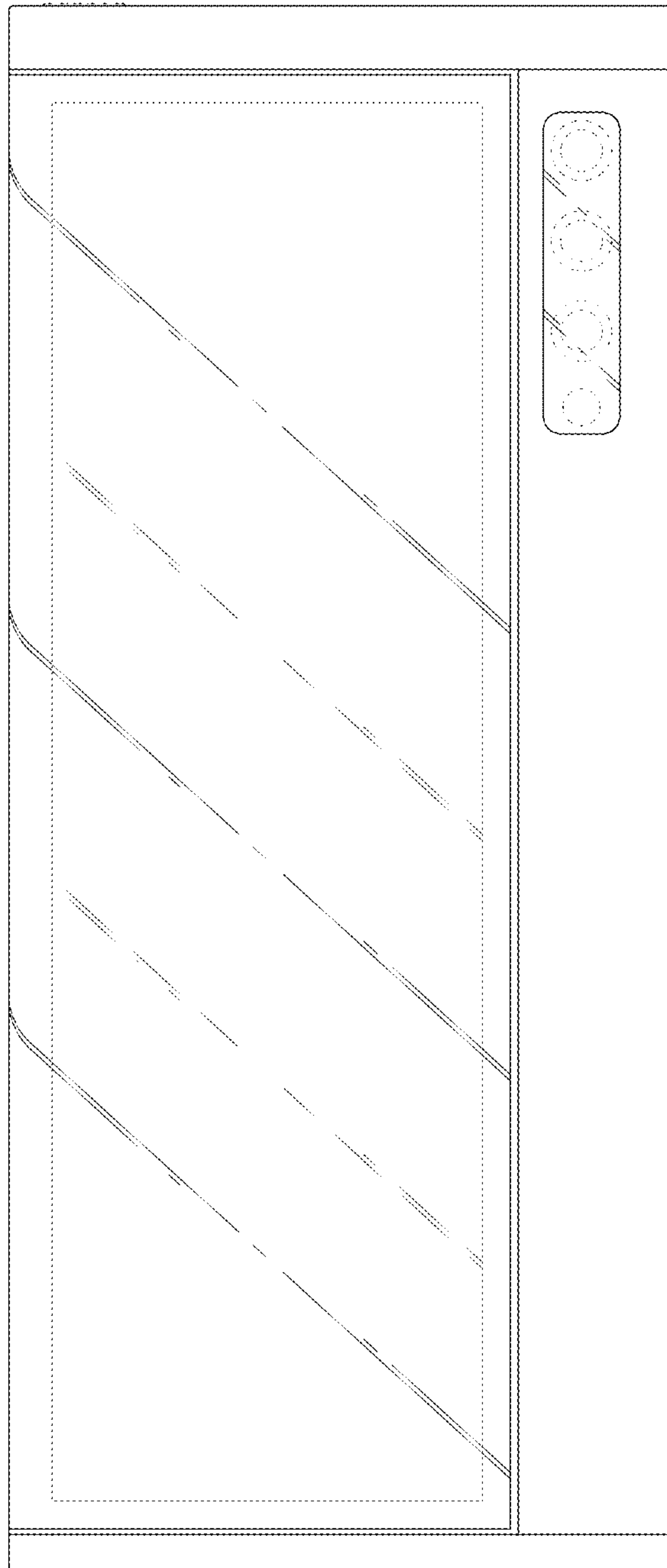


FIG. 4



FIG. 5

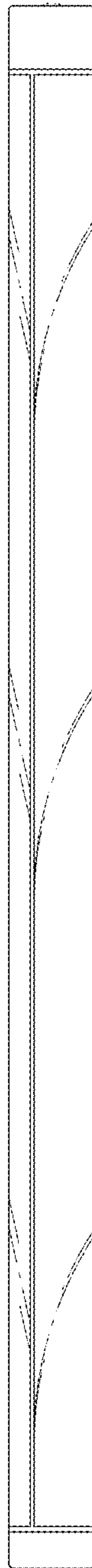


FIG. 6





FIG. 7



FIG. 8

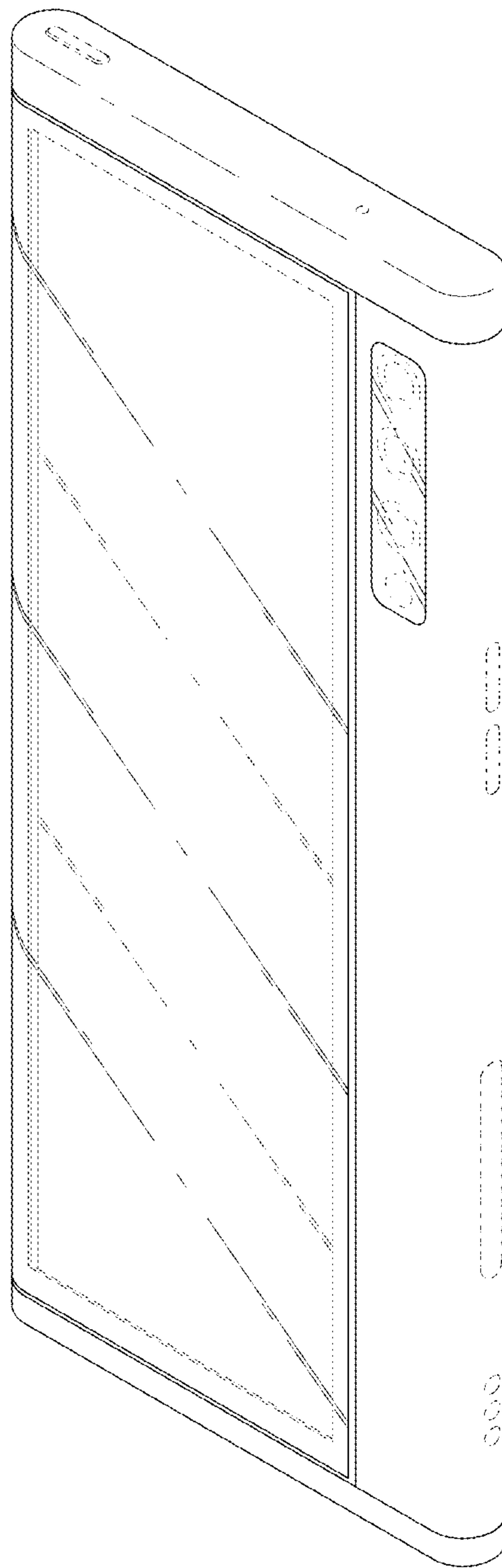


FIG. 9

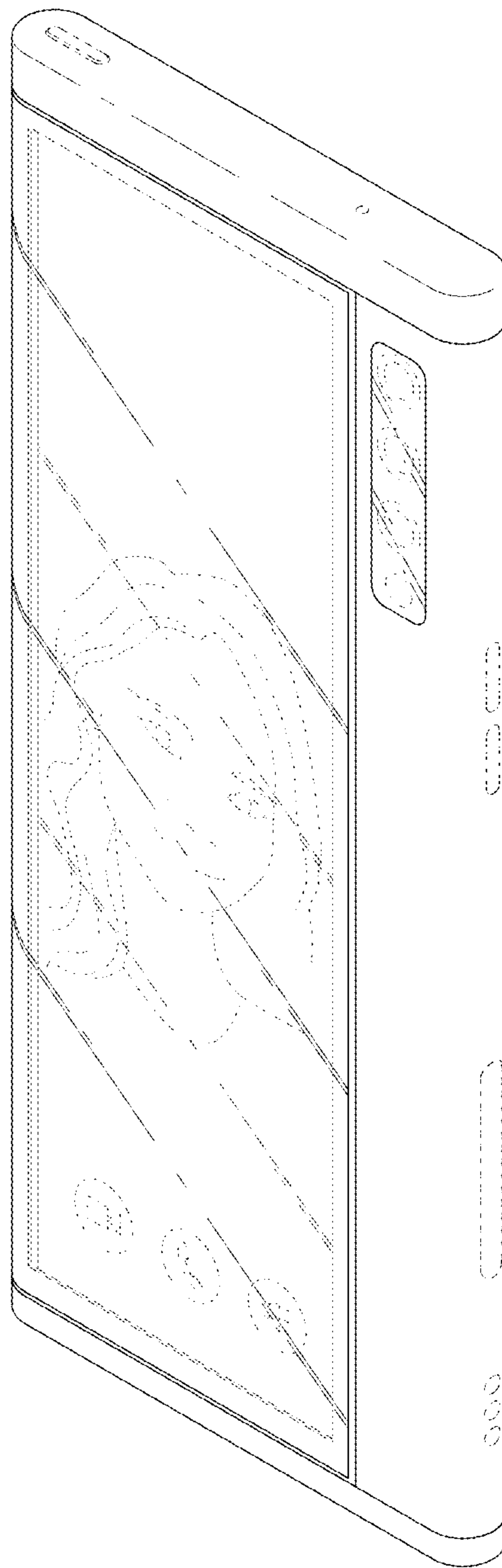


FIG. 10

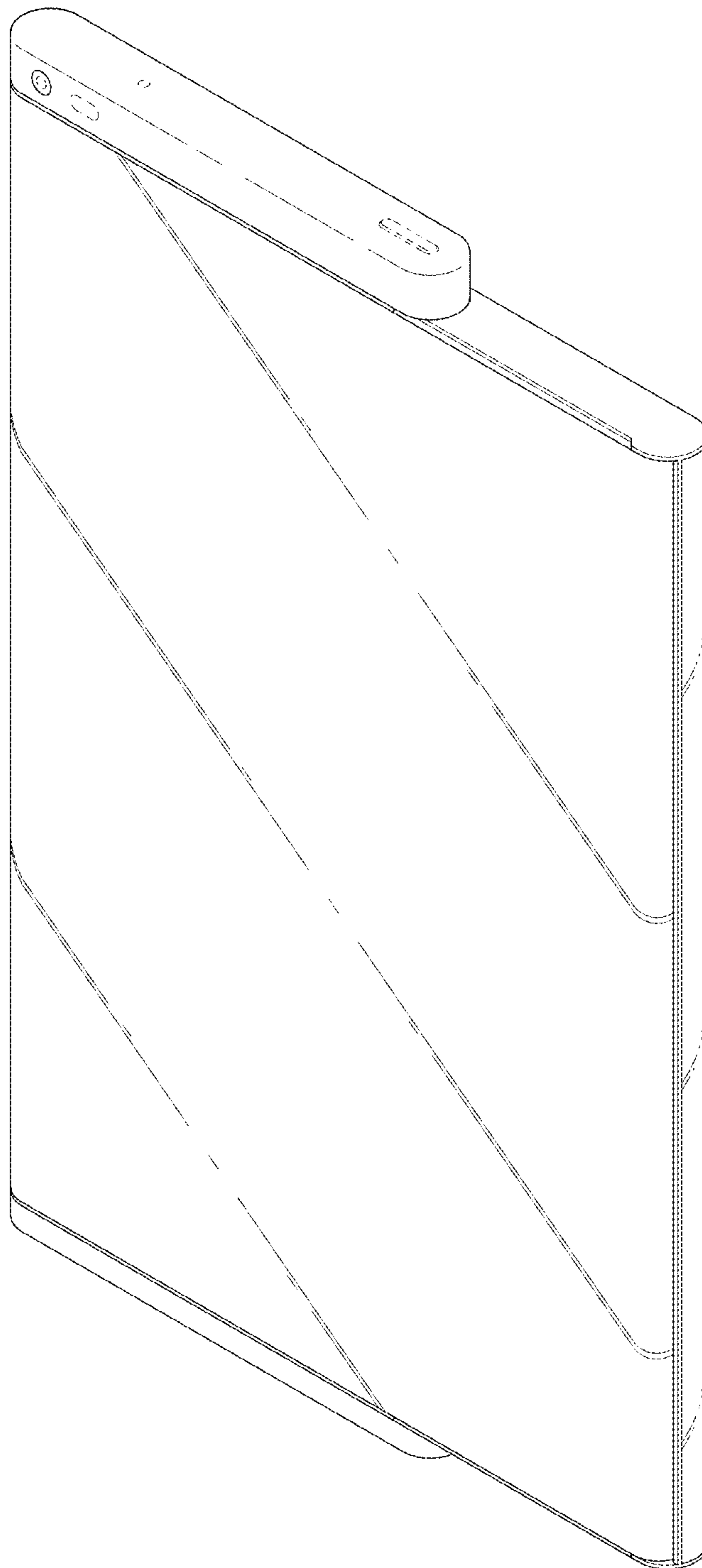


FIG. 11

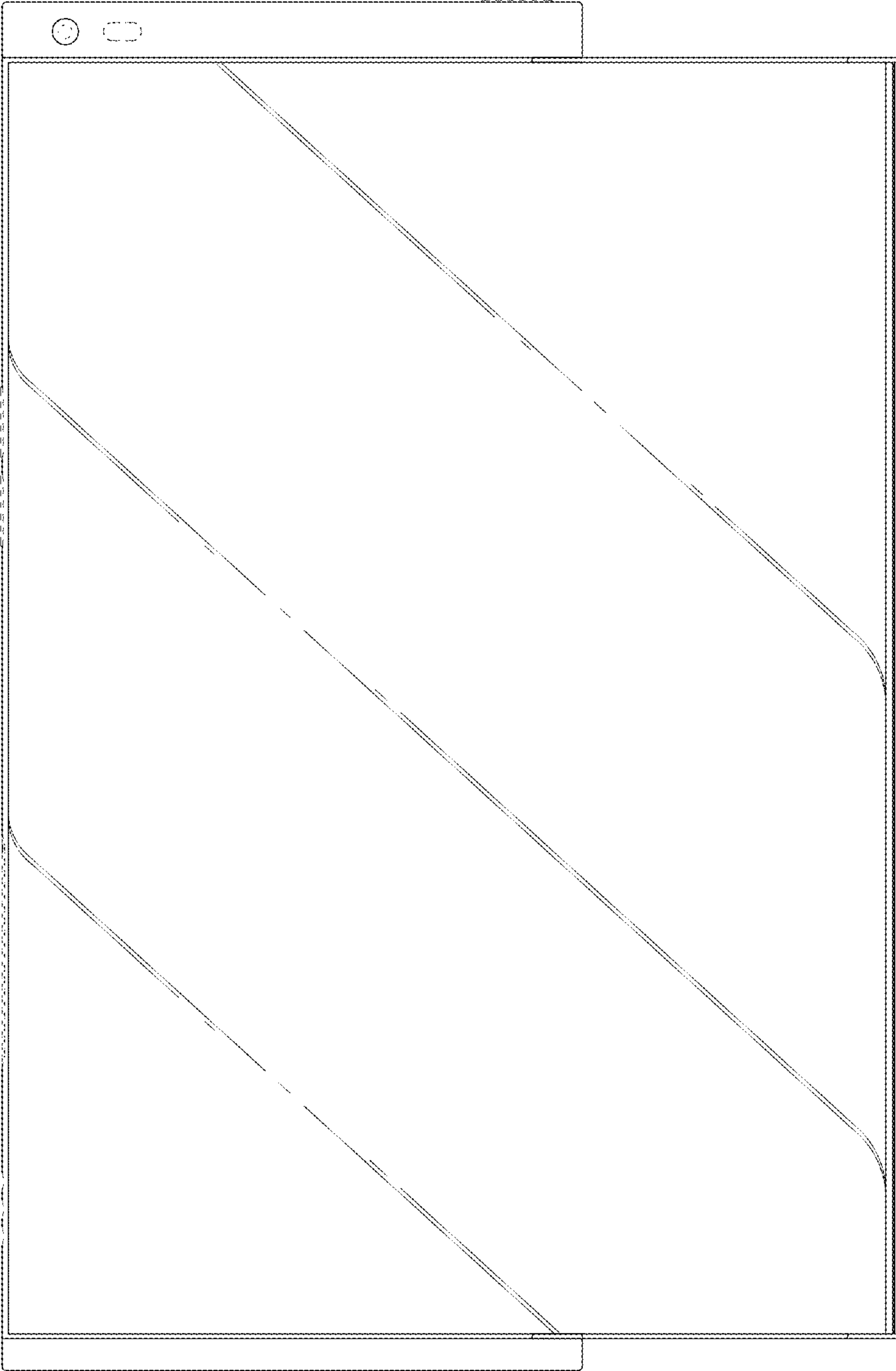


FIG. 12

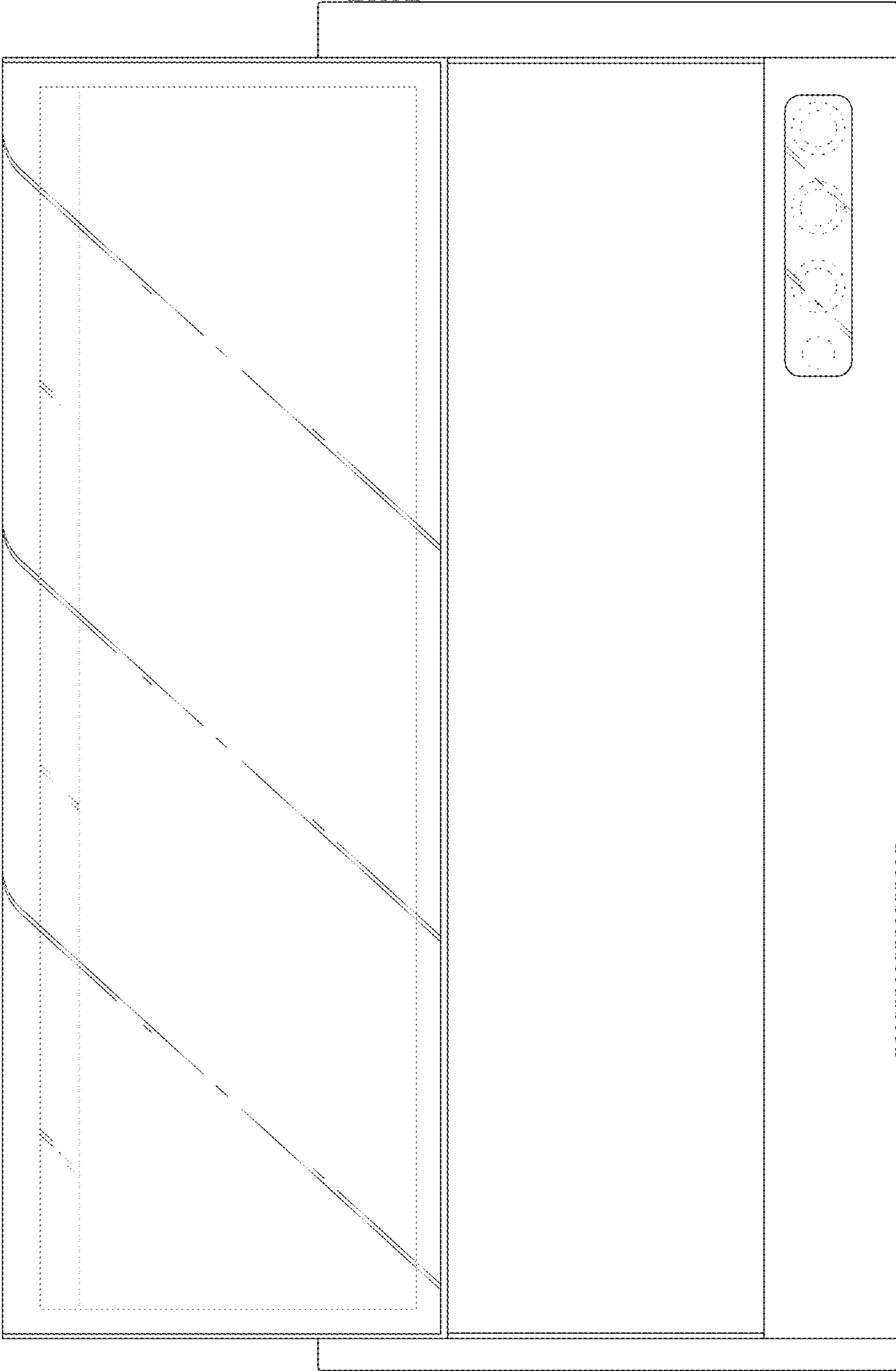




FIG. 13



FIG. 14

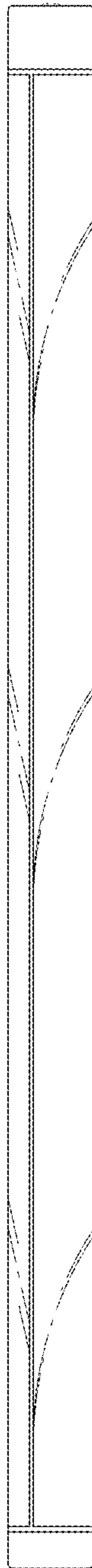


FIG. 15

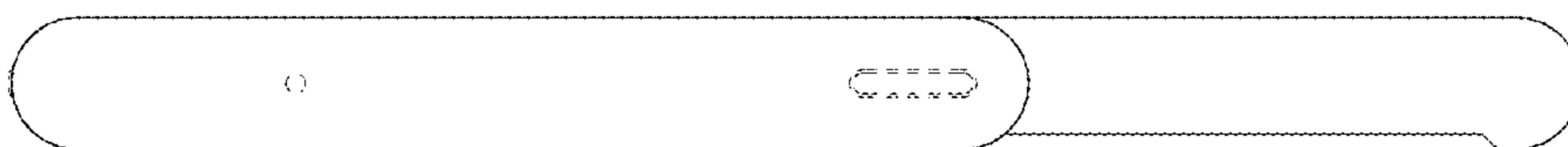


FIG. 16



FIG. 17

