



US00D956037S

(12) **United States Design Patent**
Akana et al.

(10) **Patent No.:** **US D956,037 S**
(45) **Date of Patent:** **** Jun. 28, 2022**

(54) **ELECTRONIC DEVICE**

(71) Applicant: **Apple Inc.**, Cupertino, CA (US)

(72) Inventors: **Jody Akana**, San Francisco, CA (US); **Bartley K. Andre**, Palo Alto, CA (US); **Jeremy Bataillou**, San Francisco, CA (US); **Daniel J. Coster**, San Francisco, CA (US); **Daniele De Iuliis**, San Francisco, CA (US); **M. Evans Hankey**, San Francisco, CA (US); **Richard P. Howarth**, San Francisco, CA (US); **Jonathan P. Ive**, San Francisco, CA (US); **Steven P. Jobs**, Palo Alto, CA (US); **Duncan Robert Kerr**, San Francisco, CA (US); **Shin Nishibori**, Kailua, HI (US); **Matthew Dean Rohrbach**, San Francisco, CA (US); **Peter Russell-Clarke**, San Francisco, CA (US); **Christopher J. Stringer**, Woodside, CA (US); **Eugene Antony Whang**, San Francisco, CA (US); **Rico Zörkendörfer**, San Francisco, CA (US)

(73) Assignee: **Apple Inc.**, Cupertino, CA (US)

(**) Term: **15 Years**

(21) Appl. No.: **29/572,751**

(22) Filed: **Jul. 29, 2016**

Related U.S. Application Data

(60) Continuation of application No. 29/498,328, filed on Aug. 1, 2014, now Pat. No. Des. 763,253, which is a continuation of application No. 29/432,436, filed on Sep. 14, 2012, now Pat. No. Des. 710,843, which is a continuation of application No. 29/379,707, filed on Nov. 23, 2010, now Pat. No. Des. 672,343, which is a continuation of application No. 29/360,036, filed on Apr. 19, 2010, now Pat. No. Des. 627,778, which is a division of application No. 29/363,172, filed on Jun. 5, 2010, now Pat. No. Des. 633,493, which is a

continuation of application No. 29/360,110, filed on Apr. 20, 2010, now Pat. No. Des. 633,908, which is a continuation of application No. 29/360,036, filed on Apr. 19, 2010, now Pat. No. Des. 627,778.

(51) **LOC (13) Cl.** **14-02**

(52) **U.S. Cl.**
USPC **D14/341**

(58) **Field of Classification Search**
USPC D14/341-347, 315-318, 420, 426, D14/129-130, 496, 138 G, 138 R, D14/138 AA, 248, 250, 203.7, 388-389; D10/104.4, 50, 65, 74; D21/324, 329; D28/83; D3/20, 273; D9/651, 648, 423; D13/103

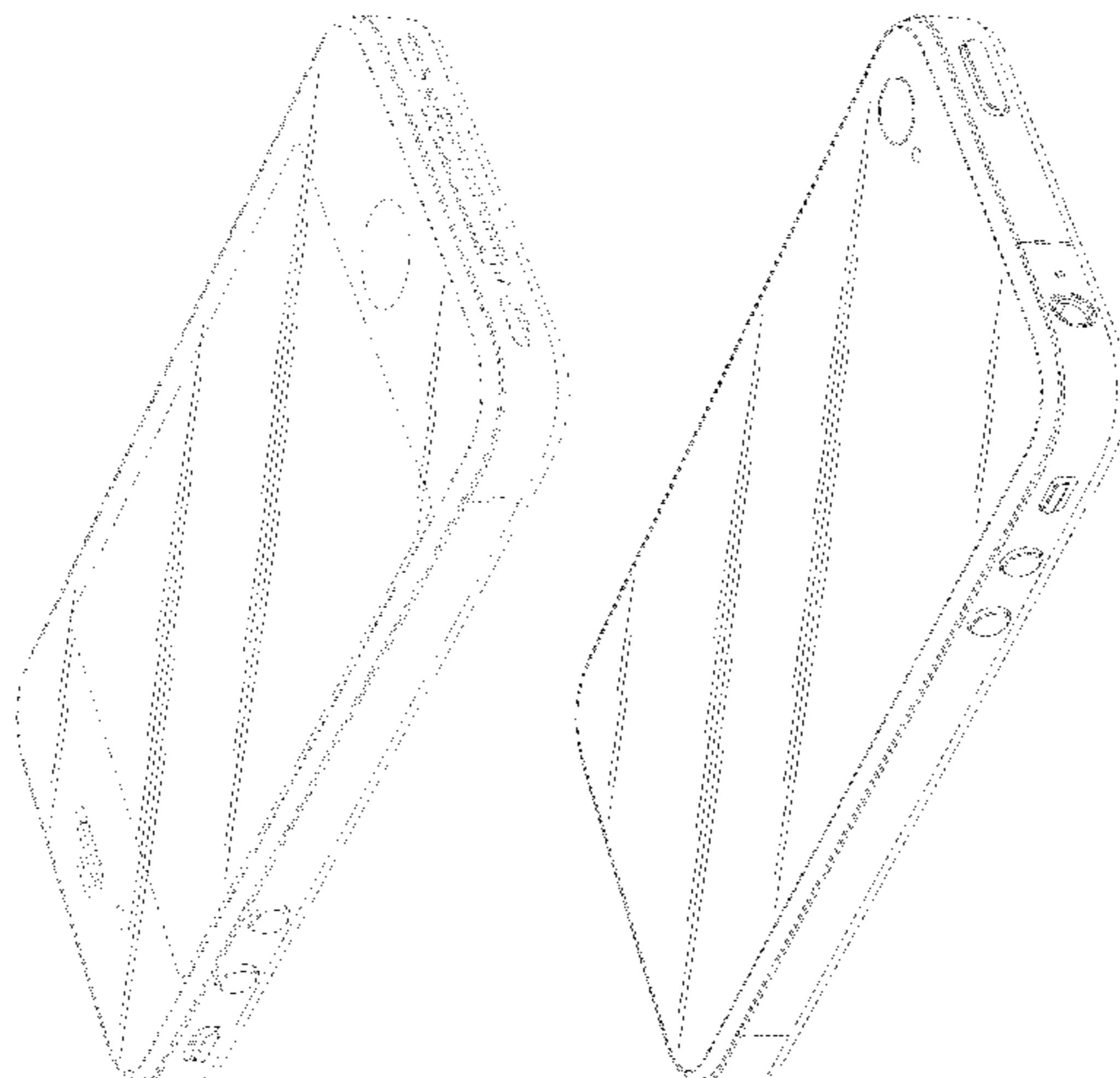
CPC G06F 1/1626; G06F 1/1613; G06F 2200/1633; G06F 3/0488; G06F 3/04886; G06F 3/044; G06F 3/0412; G06F 3/0416; H04B 1/3833

See application file for complete search history.

(56) **References Cited**

U.S. PATENT DOCUMENTS

D239,451 S	*	4/1976	Scott	D14/299
D262,151 S		12/1981	Sussman		
D270,061 S		8/1983	Ackeret		
D289,873 S		5/1987	Gemmell et al.		
D300,831 S		4/1989	Jenkins et al.		
D302,336 S		7/1989	Erickson		
D306,583 S		3/1990	Krolopp et al.		
D321,215 S		10/1991	Shamis		
D321,855 S		11/1991	Ross, Jr.		
D332,328 S		1/1993	Lombardi		
D333,574 S		3/1993	Ackeret		
D337,569 S		7/1993	Kando		
D340,917 S		11/1993	Sakaguchi et al.		
D343,356 S	*	1/1994	Wittman	D9/415
D345,346 S		3/1994	Alfonso et al.		
D346,589 S		5/1994	Andros		
D361,552 S		8/1995	Iino		
D362,252 S		9/1995	Ansell et al.		
D363,022 S	*	10/1995	Krupa	D9/415
D377,169 S		1/1997	Chida		
D378,686 S	*	4/1997	Proctor	D14/345
D396,452 S		7/1998	Naruki		
D408,372 S		4/1999	Ota et al.		
D410,440 S		6/1999	Carnell		



US D956,037 S

D411,536 S	6/1999	Page et al.		D583,346 S	12/2008	Jung et al.	
D422,575 S *	4/2000	Tikhonski	D14/126	D583,796 S *	12/2008	Tanaka	D14/155
D424,245 S	5/2000	Stoecker		D584,053 S *	1/2009	Abdo	D3/302
D441,735 S	5/2001	Katayama		D584,272 S	1/2009	Chung et al.	
D444,465 S	7/2001	Do		D584,646 S *	1/2009	Sanguinetti	D10/65
D445,787 S *	7/2001	Francis	D14/345	D584,738 S	1/2009	Kim et al.	
D448,764 S	10/2001	Marsalka et al.		D585,898 S	2/2009	Skurdal	
D455,433 S	4/2002	Alviar et al.		D587,267 S	2/2009	Wang	
D461,715 S	8/2002	Yokota		D589,021 S	3/2009	Millora	
D461,802 S	8/2002	Tu		D591,252 S	4/2009	Kim et al.	
D467,890 S	12/2002	Lai et al.		D591,739 S	5/2009	Matsuoka	
D469,413 S	1/2003	To et al.		D594,840 S	6/2009	Kim et al.	
D483,037 S	12/2003	Whitehorn et al.		D595,597 S *	7/2009	Meverden	D10/65
D484,471 S	12/2003	Lin et al.		D597,067 S	7/2009	Oh et al.	
D484,542 S *	12/2003	Hassell	D19/75	D598,014 S	8/2009	Marsh et al.	
D485,265 S	1/2004	Sato et al.		D598,414 S	8/2009	Joung et al.	
D488,468 S	4/2004	Hu		D598,887 S	8/2009	Xiao et al.	
D488,469 S	4/2004	Batsikas		D599,342 S	9/2009	Andre et al.	
D490,420 S	5/2004	Solomon et al.		D599,754 S *	9/2009	Xie	D14/125
D491,155 S	6/2004	Kawakami et al.		D600,241 S	9/2009	Andre et al.	
D492,684 S	7/2004	Ozolins et al.		D600,690 S	9/2009	Miyaji	
D497,364 S	10/2004	Ozolins et al.		D601,353 S	10/2009	Sadler et al.	
D499,718 S	12/2004	Chen		D601,530 S	10/2009	Park et al.	
D500,037 S	12/2004	Ozolins et al.		D601,583 S	10/2009	Andre et al.	
D502,173 S	2/2005	Jung et al.		D601,988 S	10/2009	Bang et al.	
D503,679 S *	4/2005	Andre	D13/110	D602,014 S	10/2009	Andre et al.	
D504,889 S	5/2005	Andre et al.		D602,015 S	10/2009	Andre et al.	
D506,937 S	7/2005	Lee et al.		D602,486 S	10/2009	Andre et al.	
D507,003 S	7/2005	Pai et al.		D602,488 S	10/2009	Jiang et al.	
D507,567 S *	7/2005	Yonekawa	D14/345	D603,821 S	11/2009	Hansen	
D509,833 S	9/2005	Yang		D603,834 S	11/2009	Lyman et al.	
D511,342 S	11/2005	Chien		D604,293 S	11/2009	Andre et al.	
D511,347 S	11/2005	Naruki		D604,297 S	11/2009	Andre et al.	
D513,617 S *	1/2006	Tierney	D14/496	D604,716 S	11/2009	Oh et al.	
D515,541 S	2/2006	Jensfelt		D604,729 S	11/2009	Andre et al.	
D524,809 S	7/2006	Alcouloumre et al.		D605,157 S *	12/2009	Kim	D14/138 G
D525,986 S	8/2006	Kim		D606,129 S	12/2009	Ben-Moshe	
D527,015 S	8/2006	Yang		D606,988 S	12/2009	Andre et al.	
D528,561 S	9/2006	Ka-Wei et al.		D606,989 S	12/2009	Andre et al.	
D529,045 S	9/2006	Shin		D609,233 S	2/2010	Wood et al.	
D532,051 S *	11/2006	Sugino	D21/330	D609,705 S	2/2010	Andre et al.	
D534,516 S	1/2007	Lheem		7,660,560 B2	2/2010	Zuo et al.	
D534,890 S	1/2007	Kim		D611,048 S	3/2010	Wood et al.	
D535,281 S	1/2007	Yang		D611,942 S *	3/2010	Kemery	D14/341
D536,329 S	2/2007	Lee		D611,974 S	3/2010	Kwon et al.	
D541,274 S *	4/2007	Wang	D14/356	D613,262 S *	4/2010	Ahn	D14/138 AD
D542,781 S	5/2007	Chen et al.		D613,283 S	4/2010	Andre et al.	
D547,175 S *	7/2007	Berg	D9/420	D613,722 S	4/2010	Kaneta	
D551,659 S	9/2007	Shih et al.		D613,735 S	4/2010	Andre et al.	
D557,239 S	12/2007	Lee		D613,736 S	4/2010	Andre et al.	
D557,259 S	12/2007	Hirsch		D615,083 S	5/2010	Andre et al.	
D558,460 S	1/2008	Yu et al.		D620,488 S	7/2010	Andre et al.	
D558,716 S	1/2008	Bae et al.		D621,397 S	8/2010	Andre et al.	
D558,726 S	1/2008	Wang et al.		D622,720 S	8/2010	Andre et al.	
D558,756 S	1/2008	Andre et al.		D624,519 S	9/2010	Shen et al.	
D558,792 S	1/2008	Chigira		D625,307 S	10/2010	Cheng	
D560,227 S	1/2008	Bennett et al.		D625,700 S	10/2010	Sandberg et al.	
D560,231 S	1/2008	Lee		D626,124 S *	10/2010	Chyan	D14/341
D560,683 S	1/2008	Lee		D626,437 S	11/2010	Lee et al.	
D561,782 S	2/2008	Kim		D627,778 S *	11/2010	Akana	D14/341
D562,285 S	2/2008	Lim		D630,630 S	1/2011	Andre et al.	
D563,432 S	3/2008	Kim		7,876,274 B2	1/2011	Hobson et al.	
D567,819 S	4/2008	Devericks et al.		D633,493 S *	3/2011	Akana	D14/341
D568,285 S	5/2008	Lee et al.		D633,908 S	3/2011	Akana et al.	
D569,629 S *	5/2008	Yu	D6/308	D633,910 S	3/2011	Cacioppo et al.	
D569,837 S	5/2008	Baik et al.		D636,392 S	4/2011	Akana et al.	
D570,346 S	6/2008	Suk et al.		D636,769 S	4/2011	Wood et al.	
D570,839 S	6/2008	Hofer et al.		D638,030 S	5/2011	Akana et al.	
D572,694 S	7/2008	Park		D638,814 S	5/2011	Sutherland et al.	
D573,143 S	7/2008	Park et al.		D638,835 S	5/2011	Akana et al.	
D577,371 S	9/2008	Hu et al.		D640,658 S	6/2011	Knoppert et al.	
7,426,406 B2	9/2008	Maatta et al.		D641,387 S	7/2011	Lee	
D578,987 S *	10/2008	Lee	D14/138 AD	D643,427 S *	8/2011	McGoldrick	D14/356
D579,898 S	11/2008	Lee et al.		D644,995 S	9/2011	Amidon	
D579,902 S	11/2008	Kim et al.		D647,519 S	10/2011	Rothbaum et al.	
D579,905 S	11/2008	Kim et al.		8,106,836 B2	1/2012	Hill et al.	
D580,387 S	11/2008	Andre et al.		D656,955 S	4/2012	Akana et al.	
D581,384 S	11/2008	Kim et al.		D662,922 S	7/2012	Akana et al.	
D581,922 S	12/2008	Andre et al.		8,213,168 B2	7/2012	McClure et al.	

US D956,037 S

D669,915 S	10/2012	Akana et al.	EP	RCD000569157-0007	9/2006
D671,101 S	11/2012	Rothbaum et al.	EP	RCD000590831-0001	10/2006
D671,105 S	11/2012	Rothbaum et al.	EP	RCD000590831-0003	10/2006
D671,107 S	11/2012	Rothbaum et al.	EP	RCD000614565-0001	12/2006
D671,108 S	11/2012	Rothbaum et al.	EP	RCD000632070-0007	1/2007
D671,930 S	12/2012	Akana et al.	EP	RCD000718770-0007	6/2007
D671,937 S	12/2012	Akana et al.	EP	RCD000748256-0003	8/2007
D672,343 S	12/2012	Akana et al.	EP	RCD000748280-0001	8/2007
D676,033 S	2/2013	Rothbaum et al.	EP	RCD000748280-0004	8/2007
D676,459 S *	2/2013	Hofer D14/203.3	EP	RCD000748280-0006	8/2007
D676,837 S	2/2013	Rothbaum et al.	EP	RCD000748322-0001	8/2007
D677,657 S	3/2013	Akana et al.	EP	RCD000767959-0001	8/2007
D678,336 S	3/2013	Akana et al.	EP	RCD000784780-0001	10/2007
D684,571 S	6/2013	Akana et al.	EP	RCD000874466-0012	3/2008
8,477,931 B2	7/2013	Thompson et al.	EP	RCD000910591-0001	4/2008
D688,661 S	8/2013	Ho et al.	EP	RCD000888920-0001	5/2008
D689,455 S *	9/2013	Daniel D10/65	EP	RCD000888920-0018	5/2008
D689,480 S	9/2013	Akana et al.	EP	RCD000938071-0001	6/2008
D690,693 S	10/2013	Akana et al.	EP	RCD000939731-0001	6/2008
D691,133 S	10/2013	Akana et al.	EP	RCD000977822-0006	8/2008
D692,878 S	11/2013	Akana et al.	EP	RCD001016802-0001	1/2009
D706,262 S *	6/2014	Serota D14/341	EP	RCD001098149-0001	4/2009
D706,773 S *	6/2014	Lu D14/341	EP	RCD001098149-0007	4/2009
D706,776 S	6/2014	Akana et al.	EP	RCD001183461-0002	1/2010
D710,843 S	8/2014	Akana et al.	EP	RCD001668781-0001	2/2010
D712,405 S	9/2014	Akana et al.	EP	RCD001694712-0001	4/2010
D720,687 S *	1/2015	Hasbrook D13/103	ES	D0505712-0001	4/2008
D722,037 S *	2/2015	Nam D14/138 G	FI	4897	7/1980
D722,596 S	2/2015	Vanduyt et al.	FR	990052-001	5/1999
D723,742 S *	3/2015	Shteytsel D28/83	GB	2062780	5/1981
D728,467 S *	5/2015	Hasbrook D13/103	GB	1042780	12/1986
D733,043 S *	6/2015	Hasbrook D13/103	GB	2030050	10/1992
D733,138 S *	6/2015	Moammer D14/203.7	GB	2033245	8/1993
D740,250 S	10/2015	Emami	JP	000921403	3/1995
D781,955 S *	3/2017	Kim D18/50	JP	001009317	5/1998
D806,705 S *	1/2018	Akana D14/341	JP	D1104685	3/2001
D808,357 S *	1/2018	Kim D14/203.7	JP	D1124750	10/2001
9,860,354 B2 *	1/2018	Louch H04M 1/6041	JP	D1142127	5/2002
D809,508 S *	2/2018	Akana D14/341	JP	D1159881	12/2002
D812,049 S *	3/2018	Akana D14/341	JP	D1178470	7/2003
D815,633 S *	4/2018	Akana D14/341	JP	D1188041	10/2003
D815,634 S *	4/2018	Akana D14/341	JP	D1204221	5/2004
D816,664 S *	5/2018	Lee D14/341	JP	D1235888	4/2005
D825,556 S *	8/2018	Akana D14/341	JP	D1241383	6/2005
D826,929 S *	8/2018	Andre D14/341	JP	D1241638	6/2005
D828,350 S *	9/2018	Akana D14/341	JP	D1250487	9/2005
D829,205 S *	9/2018	Akana D14/341	JP	001280315	9/2006
10,095,287 B2 *	10/2018	Myers G06F 1/206	KR	30-0304213	8/2002
D832,835 S *	11/2018	Akana D14/341	KR	30-0327126	6/2003
D836,100 S *	12/2018	Akana D14/341	KR	30-0360712	9/2004
2003/0125079 A1	7/2003	Park et al.	KR	30-0364845	10/2004
2003/0125959 A1	7/2003	Palmquist	KR	30-0367347	11/2004
2003/0206202 A1	11/2003	Moriya	KR	30-0387059-3	7/2005
2005/0009556 A1	1/2005	Hickey et al.	KR	30-0387130	7/2005
2005/0059438 A1	3/2005	Jellicoe	KR	30-0396917	11/2005
2005/0068756 A1	3/2005	Tsuji et al.	KR	30-0398307	11/2005
2006/0094464 A1	5/2006	Kyou et al.	KR	30-0394921-1	12/2005
2006/0281501 A1	12/2006	Zuo et al.	KR	30-0418422-1	7/2006
2009/0247244 A1	10/2009	Mittleman et al.	KR	30-0418547	7/2006
2009/0315690 A1	12/2009	Hwang et al.	KR	30-0420200	7/2006
2010/0060563 A1	3/2010	Hayton et al.	KR	30-0422221	8/2006
2010/0105452 A1	4/2010	Shin et al.	KR	30-0424148	9/2006
2011/0164370 A1	7/2011	McClure et al.	KR	30-0441230	2/2007
2011/0253571 A1	10/2011	Rothbaum	KR	30-0441230-1	2/2007
2012/0256856 A1 *	10/2012	Suzuki G06F 1/169 345/173	KR	30-0454592	7/2007
			KR	30-0441230-2	8/2007
			KR	30-0441230-3	8/2007
2012/0261289 A1	10/2012	Wyner et al.	KR	30-0452985-2	8/2007
			KR	30-0474260	12/2007
			KR	30-0529167	5/2009
			KR	30-0533504	7/2009
			KR	30-0546031	11/2009
			KR	30-0550428	1/2010
			KR	30-0553546	2/2010
			SE	55044	10/1993
			TW	D106137	8/2005
			TW	D123283	6/2008
			TW	D126454	12/2008
			TW	D126838	1/2009
FOREIGN PATENT DOCUMENTS					
CA	72548	5/1993			
CA	101263 S	1/2004			
EP	RCD00048061-0001	8/2003			
EP	RCD00046198-0001	11/2003			
EP	RCD000317490-0001	5/2005			
EP	RCD000257621-0004	7/2005			
EP	RCD000375191-0001	9/2005			
EP	RCD000493721-0002	5/2006			
EP	RCD000569157-0005	9/2006			

TW	D126996	4/2009
TW	D126997	4/2009
TW	D129176	6/2009
TW	D131556	10/2009
TW	D132490	12/2009
TW	D139493	3/2011
WO	WO-0188679 A2	11/2001
WO	WO-2004023272 A2	3/2004

OTHER PUBLICATIONS

- Amazon, "Developing Tablet PC Applications—(Charles River Media Programming)," (<http://www.amazon.co.uk/Developing-Tablet-Applications-Charles-Programming/dp/1584502525>), retrieved Jul. 20, 2011, 4 pages.
- Amazon, "Sharp Zaurus SI-6000L Handheld," (<http://www.amazon.com/Sharp-SL-6000L-Zaurus-Handheld/dp/B0001W17H2>), product available Mar. 12, 2004, 5 pages.
- Apple.com, "Apple-iPhone-Gallery," (<http://web.archive.org/web/20070705201012/http://www.apple.com/iphone/gallery/index8.html>), dated Jul. 5, 2007, accessed Mar. 28, 2013, 1 page.
- Association for Computing Machinery, The Open Video Project, "ACM CHI 1995—The Tablet Newspaper: A vision for the Future," (<http://www.open-video.org/details.php?videoid=8315&surrogate=storyboard>), 3 pages (1994).
- Aumente, J., American Journalism Review, "Panel Vision," (<http://www.ajr.org/Article.asp?id=1257>), published Oct. 1994, 7 pages.
- Blickenstorfer, C., PenComputing Magazine, "Tablet PCs: HP Compaq Tablet PC TC1000," (http://pencomputing.com/frames/tpc_compaq.html), 3 pages (Dec. 2002).
- Blickenstorfer, C., PenComputing Magazine, "Tablet PCs: Motion Computing M1200," (http://pencomputing.com/frames/tpc_motion1200.html), 3 pages (Dec. 2002).
- Blickenstorfer, C., PenComputing Magazine, "Tablet PCs: ViewSonic V1100," (http://pencomputing.com/frames/tpc_viewsonic.html), 3 pages (Dec. 2002).
- Blogitech.co.uk, "Sharp WX-T825 (Softbank 825SH) arrives Taiwan," (<http://blogitechnews.blogspot.co.uk/2008/10/sharp-wx-t825-softbank-825sh-arrives.html>), published Oct. 3, 2008, 2 pages.
- Chan, Meng, "LG BL40 New Chocolate," MassOrder Mobile Tech Blog, (<http://massordermobile.blogspot.co.uk/2009/11/lg-b140-new-chocolate.html>), published Nov. 17, 2009, 7 pages.
- Chi-athenaum, "Good Design 2003, An International Industrial and Graphic Design Competition," (<http://www.chi-athenaum.org/gdesign/winners03.htm>), retrieved Sep. 23, 2011, 7 pages.
- Coby communications Ltd., Consumer Electronics 2009 Fall, received by the JPO Industrial Property Library on Oct. 23, 2009; 1 page.
- Computing History, "GRiDpad 1910," (<http://computinghistory.org.uk/det/6565/GRiDpad-1910>), retrieved Sep. 12, 2011, 2 pages.
- DigiBarn Systems, "GRiDpad Pen Computer," (<http://www.digibarn.com/collections/systems/gridpad/index.html>), retrieved Sep. 23, 2011, 2 pages.
- Edible Apple, "The first Apple Tablet . . . from 1979," (<http://www.edibleapple.com/the-first-apple-tablet-from-1979/>), published Nov. 23, 2009, 8 pages.
- Electronista, "LG/Prada phone revealed?," (<http://www.electronista.com/articles/06/12/20/lg.prada.phone.revealed/>), updated Dec. 20, 2006, 9 pages.
- EngineerBoy, CleverDonkey.com, "2001:A Space Odyssey and the iPad (or is it tamPod?)," (<http://www.cleverdonkey.com/1499-2001a-space-odyssey-and-the-ipad-or-is-it-tampod/>), published Feb. 2, 2010, 5 pages.
- GSMarena.com, "LG KE850 Prada," (http://www.gsmarena.com/lg_ke850_prada-1828.php), accessed Feb. 20, 2007, 4 pages.
- GSMarena.com, "Phillips S900," (http://www.gsmarena.com/philips_s900-1598.php), accessed Feb. 20, 2007, 2 pages.
- Hagen, R., GadgetZone, "iHolic portable mediaspeler," (<http://www.gadgetzone.nl/nieuws.php?id=3191>), published Jan. 4, 2007, 3 pages.
- Hamamatsu Toa Electric Co. Ltd., Smartphone BM-170, received by the JPO Industrial Property Library on Mar. 26, 2010; 1 page.
- Har-Even, Benny, "iRiver U10 media player," The Register, (http://www.theregister.co.uk/2006/01/19/review_iriver_u10/print.html), published Jan. 19, 2006, 5 pages.
- IF Design, "iF product design award 2007," (http://www.ifdesign.de/beitragsdetails_e.html?offset=87&sprache=2&award_id=121&beit...), accessed on Sep. 21, 2011, 1 page.
- Justia, "*Apple v. Samsung Electronics Co. Ltd et al.*, Filing: 943 Attachment: 5," (<http://docs.justia.com/cases/federal/district-courts/california/candce/5:2011cv01846/239768/943/5.html>), dated May 18, 2012, 3 pages.
- Lee, Tommy, "Cookie phone pink, LG Electronics Cyon LG-LU9100," <http://diner.tistory.com/m/post/view/id/211>, published Jul. 14, 2009, 8 pages.
- LG KE850 Prada, no date [online], [retrieved Sep. 4, 2013]. Retrieved from Internet, http://www.pid-handyfit.de/bilddatenbank/021_000/21114.jpg.
- LG KE850 Prada, reviewed May 16, 2007 [online], [retrieved Sep. 4, 2013]. Retrieved from Internet, http://reviews.cnet.com/cell-phones/lgke850-prada-unlocked/4505-6454_7-32316442.html.
- Martin, T., "The Tablet Newspaper: A Vision for the Future," Human Factors in Computing Systems, Chi '95 Conference Companion, pp. 425, Colorado, United States (May 1995).
- Mobiface, "The Black Box," (<http://www.mobiface.com/view.php?id=53>), published Sep. 28, 2006, 5 pages.
- Mobilegazette.com, "Acer DX900 / E-Ten Glofiish DX900," <http://www.mobilegazette.com/acer-dx900-09x02x04.htm>, published Feb. 4, 2009, 3 pages.
- Mobilegazette.com, Apple iPhone 3G, (<http://www.mobilegazette.com/apple-iphone-3g-08x06x09.htm>), published Jun. 9, 2008, 5 pages.
- Mobilegazette.com, "E-Ten Glofiish X650," (<http://www.mobilegazette.com/etenglofiish-x650-08x01x12.htm>), published Jan. 12, 2008, 2 pages.
- Mohindru, Ravin, "New iPod touch 4G (4th gen) First Impressions," TouchReviews.net, (<http://touchreviews.net/ipod-touch-4g-4-impressions/>), published Sep. 7, 2010, 10 pages.
- NewLaunches, "LG Prada cell phones are truly iconic," (http://www.newlaunches.com/archives/lg_prada_cell_phones_are_truly_iconic.php), retrieved Sep. 12, 2011, 3 pages.
- NewLaunches, "LG Wears Prada," (http://www.newlaunches.com/archives/lg_wears_prada.php), retrieved Sep. 23, 2011, 2 pages.
- Newlaunches.com, "Pidion BM-200 sleek Windows CE PDA phone from Bluebird," (http://www.newlaunches.com/archives/pidion_bm200_sleek_windows_ce_pda_phone_from_bluebird.php), published Dec. 15, 2005, 3 pages.
- Patel, "The HP Slate" (<http://www.engadget.com/2010/01/06/the-hp-slate/>), Engadget.com, published Jan. 6, 2010, 4 pages.
- PC Magazine, "HP Compaq Tablet PC TC1000," (<http://www.pcmag.com/article2/0,2817%20,939500,00.asp>), published Apr. 8, 2003, 3 pages.
- PDADB.net, "Bluebird Pidion BM-200 Specs," (http://pdadb.net/index.php?m=specs&id=1804&c=bluebird_pidion_bm-200), published Mar. 24, 2008, 3 pages.
- PDADB.net, "Sony Clie PEG-SL10 / PEG-SL10U / PEG-SL10E Specs," (http://pdadb.net/index.php?m=specs&id=1198&c=sony_clie_peg-sl10_peg-sl10u_peg-sl10e), published Mar. 4, 2008, 3 pages.
- Ricker, "LG's KE850 Prada official: iPhone says, wha?" Engadget.com, (<http://www.engadget.com/2007/01/18/lgs-ke850-prada-official-iphone-says-wha/>), published Jan. 18, 2007, 4 pages.
- Ricker, "Meizu's M8? Apple lawyers, start your engines," Engadget.com, (<http://www.engadget.com/2007/01/29/meizus-m8-apple-lawyers-start-your-engines/>), published Jan. 29, 2007, 1 page.
- Ricker, "The Pidion BM-200: it's time to move to Seoul," (<http://www.engadget.com/2005/10/04/the-pidion-bm-200-its-time-to-move-to-seoul/>), Engadget.com, published Oct. 4, 2005, 4 pages.
- S. Dimitris, "Pidion BM200 Smartphone," PDASNews, (www.pdasnews.com/articles/pidion-bm200-smartphone.html), accessed Mar. 7, 2012, 2 pages.
- Samsung, "Samsung F700 is razendsnelle alleskunner voor mobiel breedband van Vodafone," (http://www.samsung.com/nl/mobile/pressView.do?ptype=press&page=13&news_seq=22544), published May 25, 2008, 2 pages.

Samsung, "Samsung Unveils Revolutionary Ultra Smart F700," (http://www.samsung.com/us/news/newsRead.do?news_seq=3516), published Nov. 23, 2009, 2 pages.

Schwichtenbert, V., "Test: Sony Ericsson W950i," http://www.chip.de/artikel/Sony-Ericsson-W950i-Test_18777095.html, published Nov. 30, 2006, 11 pages.

Support.Apple.com, "Identifying iPhone Models," (<http://web.archive.org/web/20121211214303/http://support.apple.com/kb/HT3939>), last modified Oct. 30, 2012, 5 pages.

Support.Apple.com, "Identifying iPod Models," (<http://web.archive.org/web/20121024182303/http://support.apple.com/kb/HT1353>), last modified Apr. 6, 2012, 16 pages.

Van Reeth, J., "Vantage is showing its colours!," Home automation journal 11:1-8, Vantage Emea, Belgium (Jun. 2003).

Vasile, C., Softpedia, "MobilePen: An Expensive but Helpful Touchscreen," <http://news.softpedia.com/news/MobilePen-An-Expensive-But-Helpful-Touchscreen-16192.shtml>, published Jan. 12, 2006, 2 pages.

Vilas-Boas, "Industrial Design Portfolio," (<http://rdvb-designshowcase.blogspot.com/p/cheddar-1-2009.html>), published 2004, 6 pages.

Wikipedia, "Etch A Sketch," (http://en.wikipedia.org/wiki/Etch_a_sketch), last modified Aug. 24, 2011, 4 pages.

Wikipedia, "MessagePad," (<http://en.wikipedia.org/wiki/Messagepad>), retrieved Sep. 12, 2011, 10 pages.

Wikipedia.org, "File:LG KE850 Prada Hauptmenü.jpg," ([http://en.wikipedia.org/wiki/File:LG_KE850_Prada_Hauptmenü.jpg](http://en.wikipedia.org/wiki/File:LG_KE850_Prada_Hauptmen%C3%BC.jpg)), accessed Feb. 12, 2012, 4 pages.

ZDNet, "Viewsonic V1100," (<http://www.zdnet.nl/reviews/24712/viewsonic-v1100/>), published Feb. 17, 2003, 9 pages.

Ziegler, C., Engadget, "The LG KE850: touchable chocolate," (<http://mobile.engadget.com/2006/12/15/the-lg-ke850-touchable-chocolate/>), published Dec. 15, 2006, 5 pages.

U.S. Appl. No. 29/572,745, filed Jul. 29, 2016; Akana et al.

U.S. Appl. No. 29/572,746, filed Jul. 29, 2016; Akana et al.

U.S. Appl. No. 29/572,747, filed Jul. 29, 2016; Akana et al.

U.S. Appl. No. 29/572,748, filed Jul. 29, 2016; Akana et al.

U.S. Appl. No. 29/572,749, filed Jul. 29, 2016; Akana et al.

* cited by examiner

Primary Examiner — Llorelys Martinez

Assistant Examiner — Kwabena A. Ankobiah

(74) *Attorney, Agent, or Firm* — Sterne, Kessler, Goldstein & Fox P.L.L.C.

(57)

CLAIM

The ornamental design for an electronic device, as shown and described.

DESCRIPTION

FIG. 1 is a bottom front perspective view of an electronic device showing the claimed design;

FIG. 2 is a top front perspective view thereof;

FIG. 3 is a top rear perspective view thereof;

FIG. 4 is a bottom rear perspective view thereof;

FIG. 5 is a front view thereof;

FIG. 6 is a rear view thereof;

FIG. 7 is a top view thereof;

FIG. 8 is a bottom view thereof;

FIG. 9 is a left side view thereof; and,

FIG. 10 is a right side view thereof.

FIG. 11 is a bottom front perspective view of another embodiment of an electronic device showing our new design;

FIG. 12 is a top front perspective view thereof;

FIG. 13 is a bottom rear perspective view thereof;

FIG. 14 is a top rear perspective view thereof;

FIG. 15 is a front view thereof;

FIG. 16 is a rear view thereof;

FIG. 17 is a top view thereof;

FIG. 18 is a left side view thereof;

FIG. 19 is a right side view thereof; and,

FIG. 20 is a bottom view thereof.

The oblique shade lines in the figures show transparency or translucency.

The broken lines in the figures show portions of the electronic device which form no part of the claimed design.

1 Claim, 8 Drawing Sheets

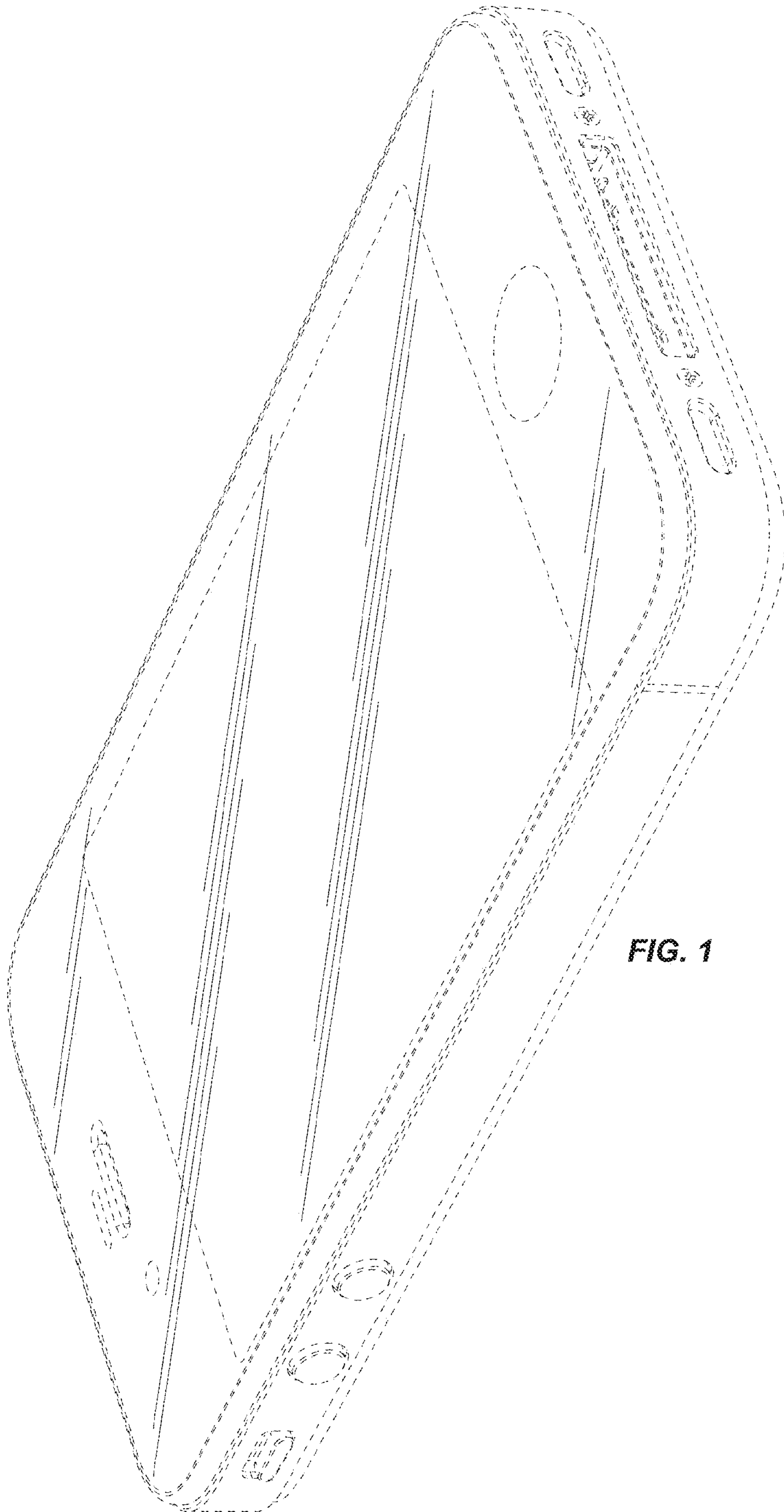


FIG. 1

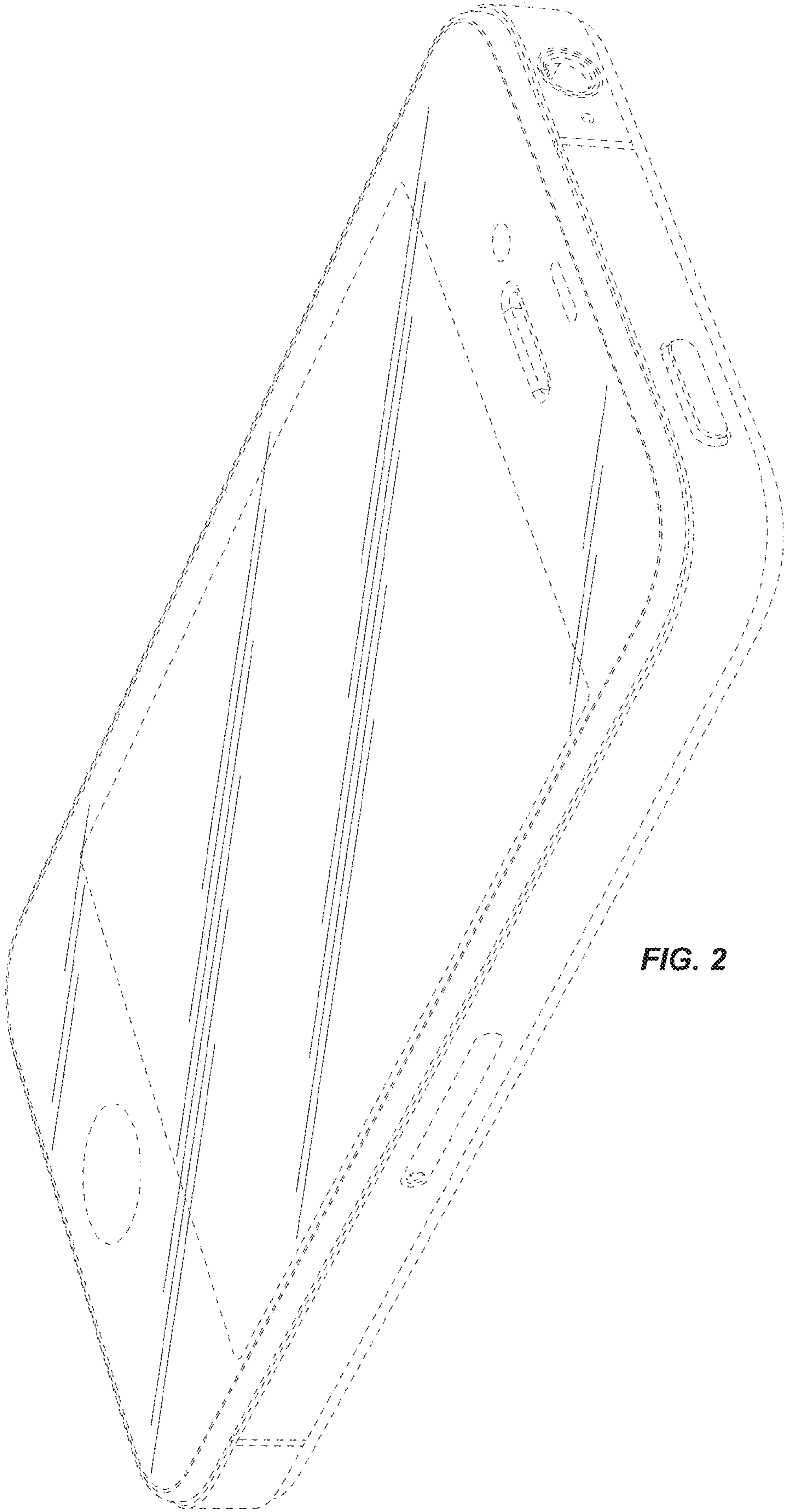


FIG. 2

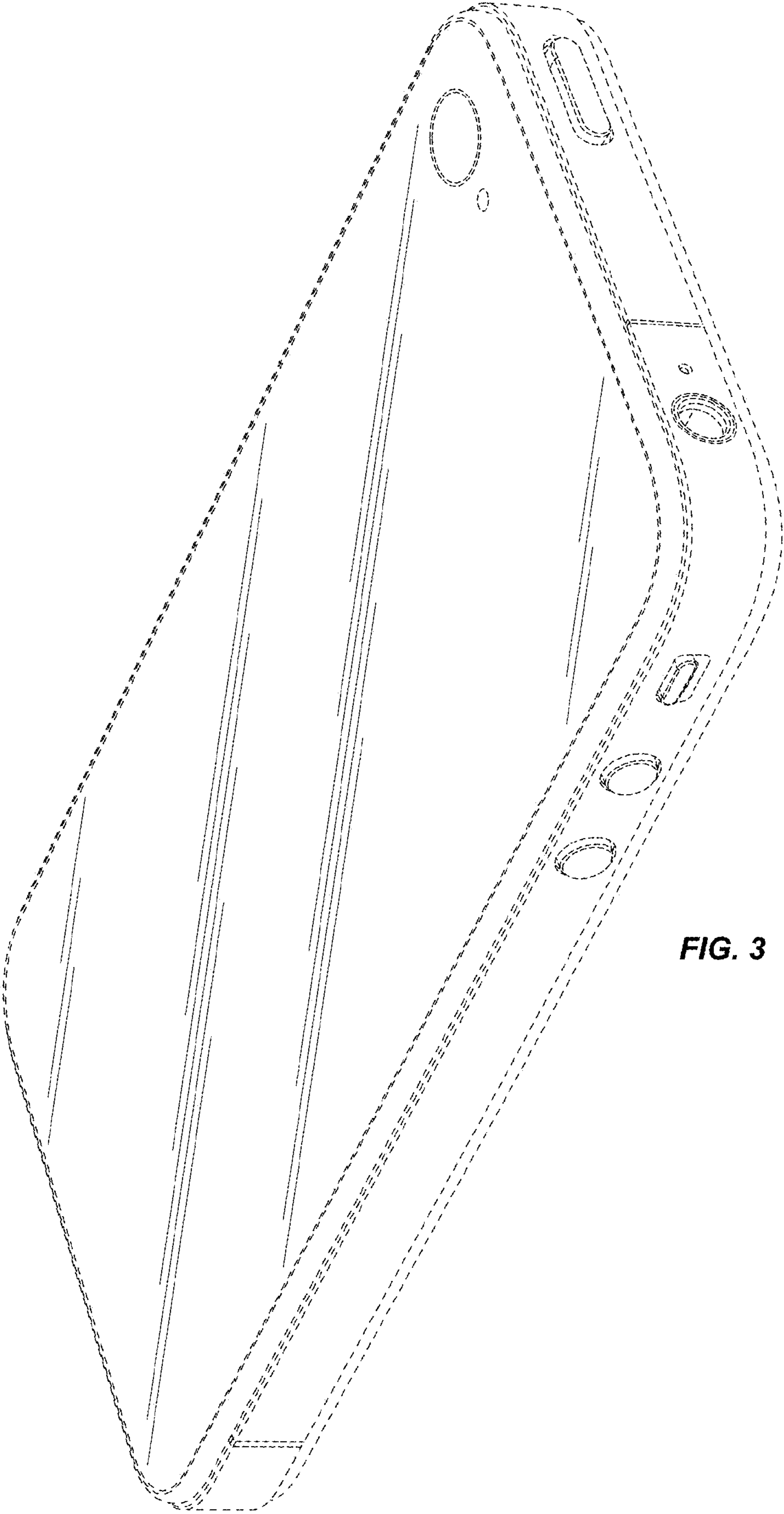


FIG. 3

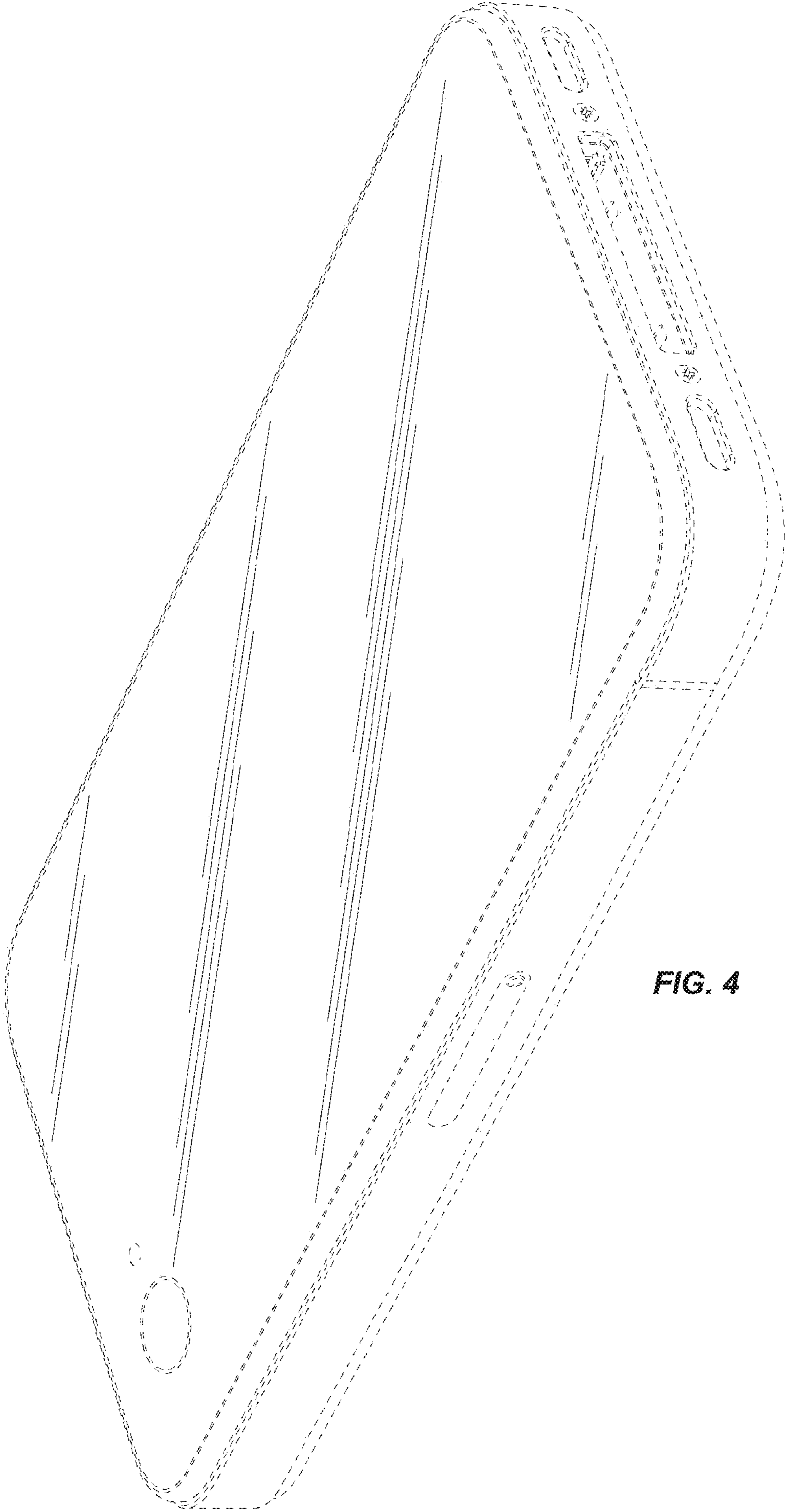


FIG. 4

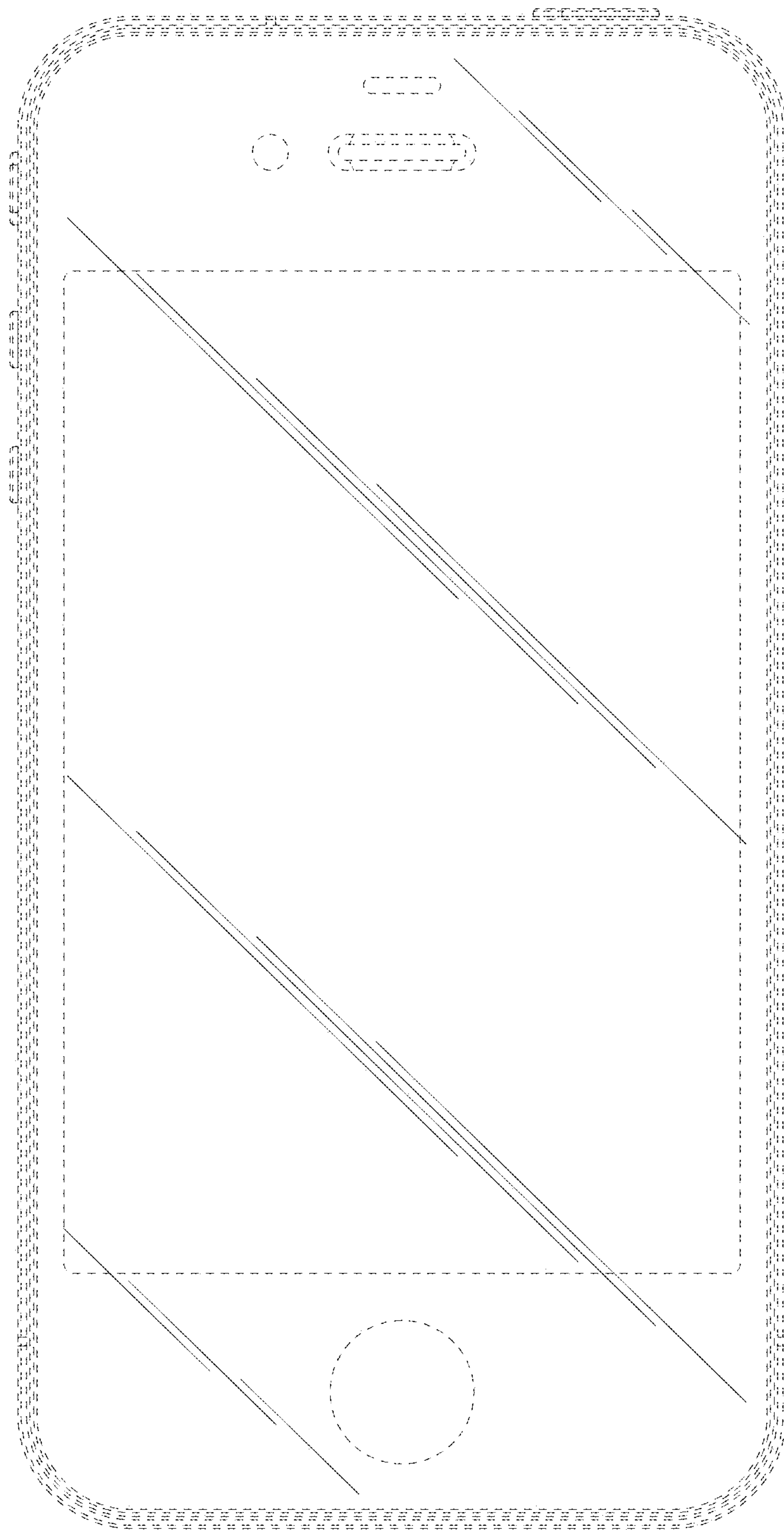


FIG. 5

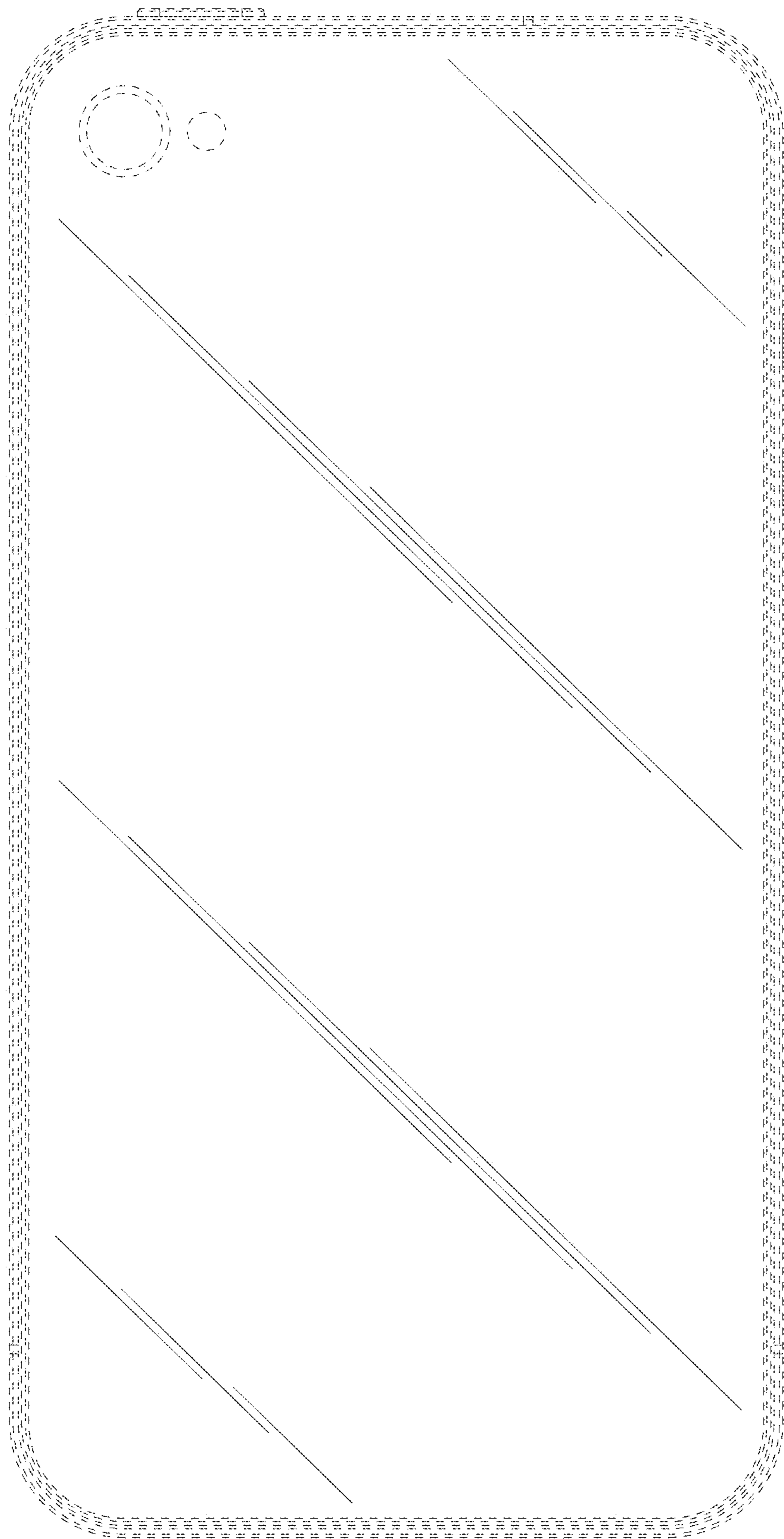


FIG. 6

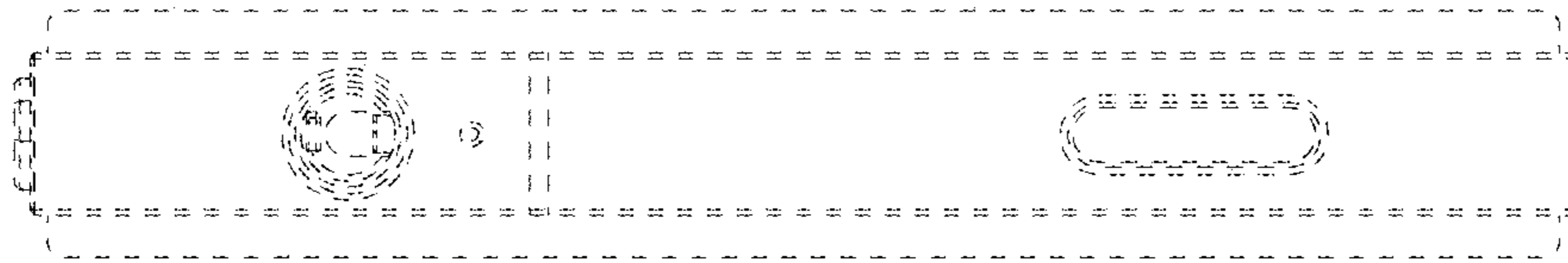


FIG. 7

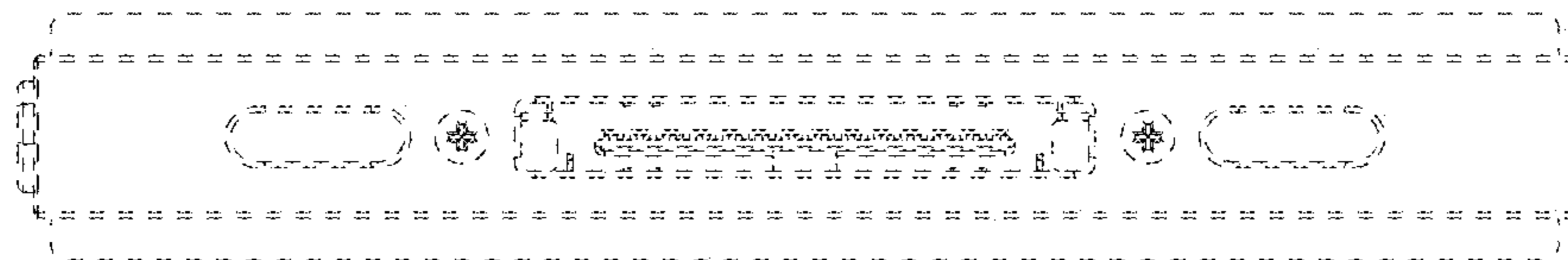


FIG. 8

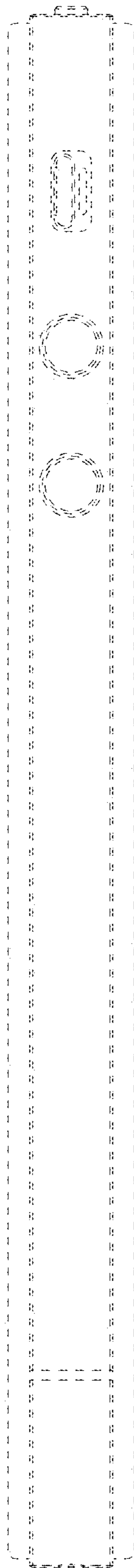


FIG. 9

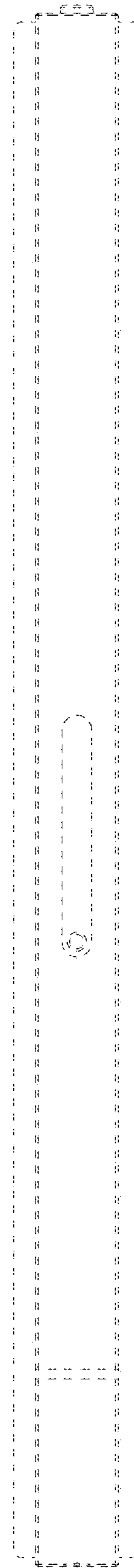


FIG. 10

UNITED STATES PATENT AND TRADEMARK OFFICE
CERTIFICATE OF CORRECTION

PATENT NO. : D956,037 S
APPLICATION NO. : 29/572751
DATED : June 28, 2022
INVENTOR(S) : Akana et al.

Page 1 of 1

It is certified that error appears in the above-identified patent and that said Letters Patent is hereby corrected as shown below:

In the Specification

In the Description section, delete the following description:

“Fig. 11 is a bottom front perspective view of another embodiment of an electronic device showing our new design;

Fig. 12 is a top front perspective view thereof;

Fig. 13 is a bottom rear perspective view thereof;

Fig. 14 is a top rear perspective view thereof;

Fig. 15 is a front view thereof;

Fig. 16 is a rear view thereof;

Fig. 17 is a top view thereof;

Fig. 18 is a left side view thereof;

Fig. 19 is a right side view thereof; and,

Fig. 20 is a bottom view thereof.”

Signed and Sealed this
Second Day of August, 2022
Katherine Kelly Vidal

Katherine Kelly Vidal
Director of the United States Patent and Trademark Office