



US00D956031S

(12) **United States Design Patent**  
**Jeon et al.**

(10) **Patent No.:** **US D956,031 S**  
(45) **Date of Patent:** **\*\* Jun. 28, 2022**

- (54) **ROUTER**
- (71) Applicant: **SAMSUNG ELECTRONICS CO., LTD.**, Suwon-si (KR)
- (72) Inventors: **Soyoon Jeon**, Suwon-si (KR); **Jihyun Moon**, Suwon-si (KR)
- (73) Assignee: **SAMSUNG ELECTRONICS CO., LTD.**, Gyeonggi-Do (KR)
- (\*\*) Term: **15 Years**
- (21) Appl. No.: **29/738,239**
- (22) Filed: **Jun. 16, 2020**

D649,141 S *	11/2011	Thomas .....	D14/242
D886,085 S *	6/2020	Ju .....	D14/240
D900,796 S *	11/2020	Wang .....	D14/242
D904,362 S *	12/2020	Menendez .....	D14/240
D914,624 S *	3/2021	Alfredsson .....	D13/184
D918,882 S *	5/2021	Andersson .....	D14/240

**FOREIGN PATENT DOCUMENTS**

CN	301553102 S	5/2011
CN	303348144 S	8/2015
CN	305307604 S	8/2019
EM	002134288-0001	11/2012
EM	002633321-0001	2/2015
KR	3020200010236	* 10/2020
KR	3020200049606	* 9/2021
KR	3020200063177	* 12/2021
WO	WO215030-001	* 6/2021

\* cited by examiner

*Primary Examiner* — Khawaja Anwar  
*Assistant Examiner* — Megan Tiana Rakos  
(74) *Attorney, Agent, or Firm* — Cantor Colburn LLP

- (30) **Foreign Application Priority Data**  
Mar. 6, 2020 (KR) ..... 30-2020-0010236
- (51) **LOC (13) Cl.** ..... **14-03**
- (52) **U.S. Cl.**  
USPC ..... **D14/242**
- (58) **Field of Classification Search**  
USPC ..... D13/123, 162, 184; D14/140.1, 140,  
D14/167, 199, 240, 242; D23/351  
CPC ..... H01R 13/42; H01H 9/02; H05K 7/20545  
See application file for complete search history.

(57) **CLAIM**

The ornamental design for a router, as shown and described.

**DESCRIPTION**

FIG. 1 is a front perspective view of a router, showing our new design;  
FIG. 2 is a front view thereof;  
FIG. 3 is a rear view thereof;  
FIG. 4 is a left-side view thereof;  
FIG. 5 is a right-side view thereof;  
FIG. 6 is a top view thereof;  
FIG. 7 is a bottom view thereof; and,  
FIG. 8 is a rear perspective view thereof.  
The broken lines depicting portions of the router form no part of the claimed design.

**1 Claim, 8 Drawing Sheets**

- (56) **References Cited**  
**U.S. PATENT DOCUMENTS**  
4,454,566 A \* 6/1984 Coyne ..... H05K 7/20545  
361/721  
D305,024 S \* 12/1989 Nishiyori ..... D14/188  
D316,546 S \* 4/1991 Pedinielli ..... D14/242  
D414,253 S \* 9/1999 Kobayashi ..... D23/351  
D430,564 S \* 9/2000 Tsistinas ..... D14/308  
D454,854 S \* 3/2002 Yamashita ..... D14/356  
D536,779 S \* 2/2007 Lerche ..... D23/393

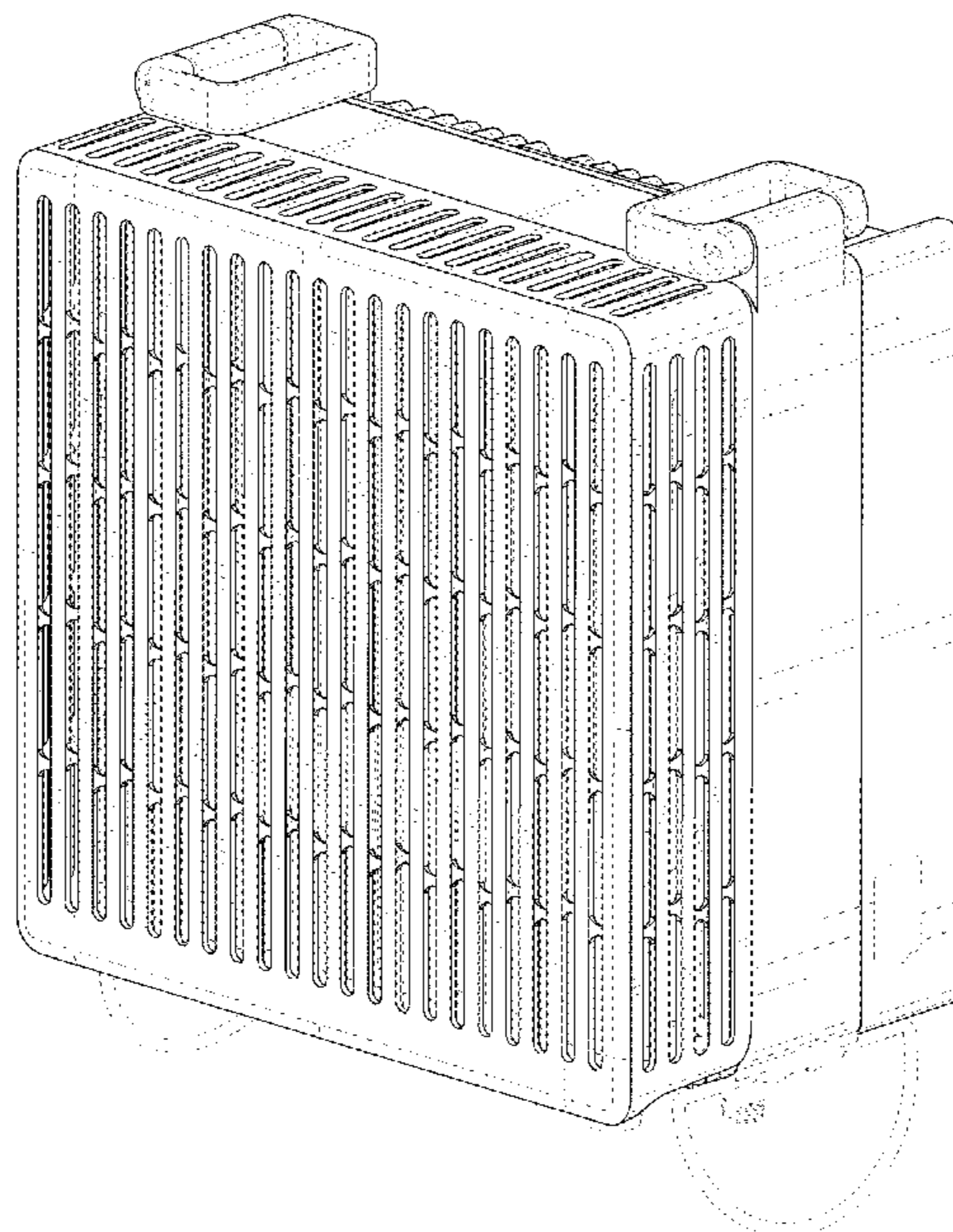


FIG. 1

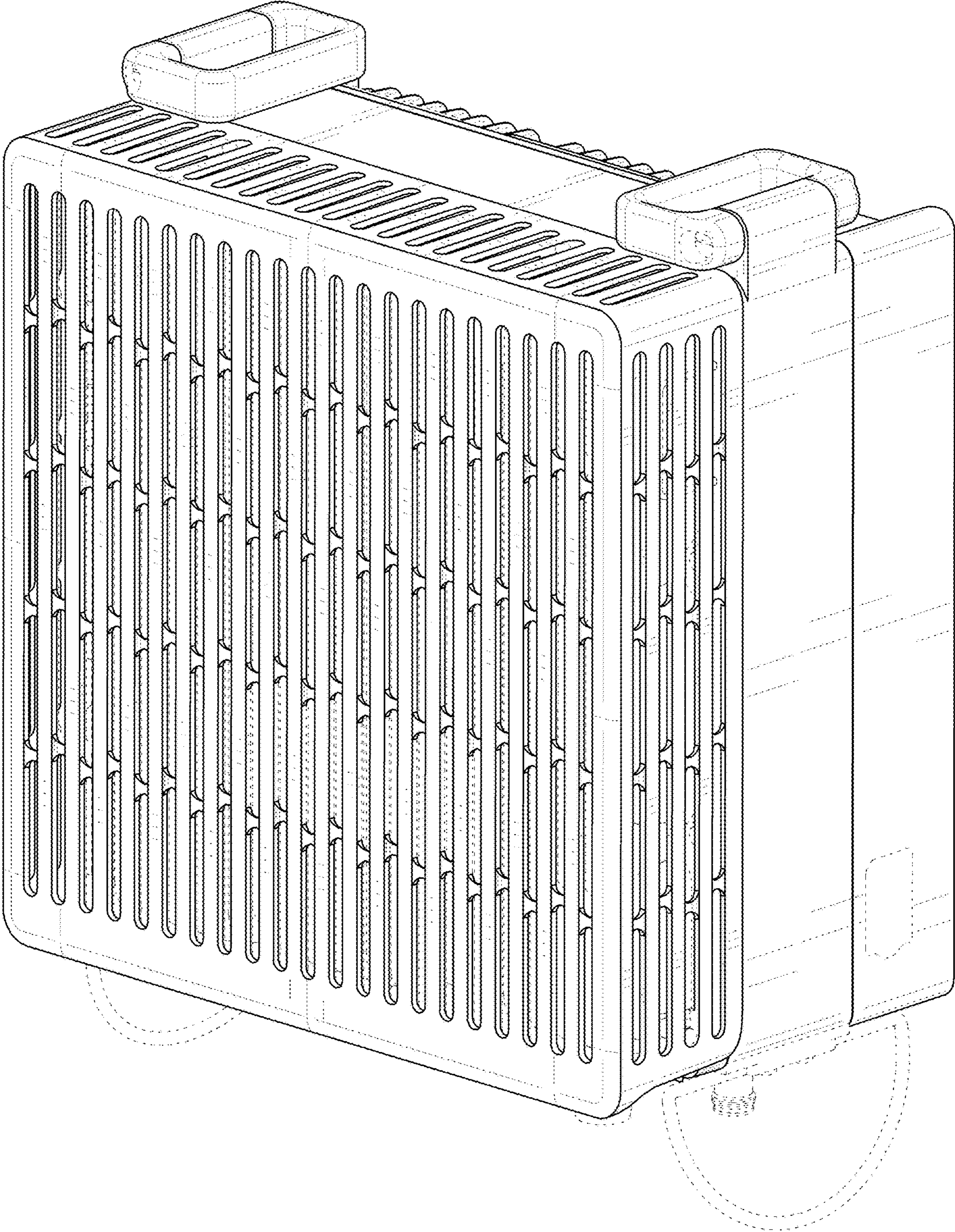




FIG. 3

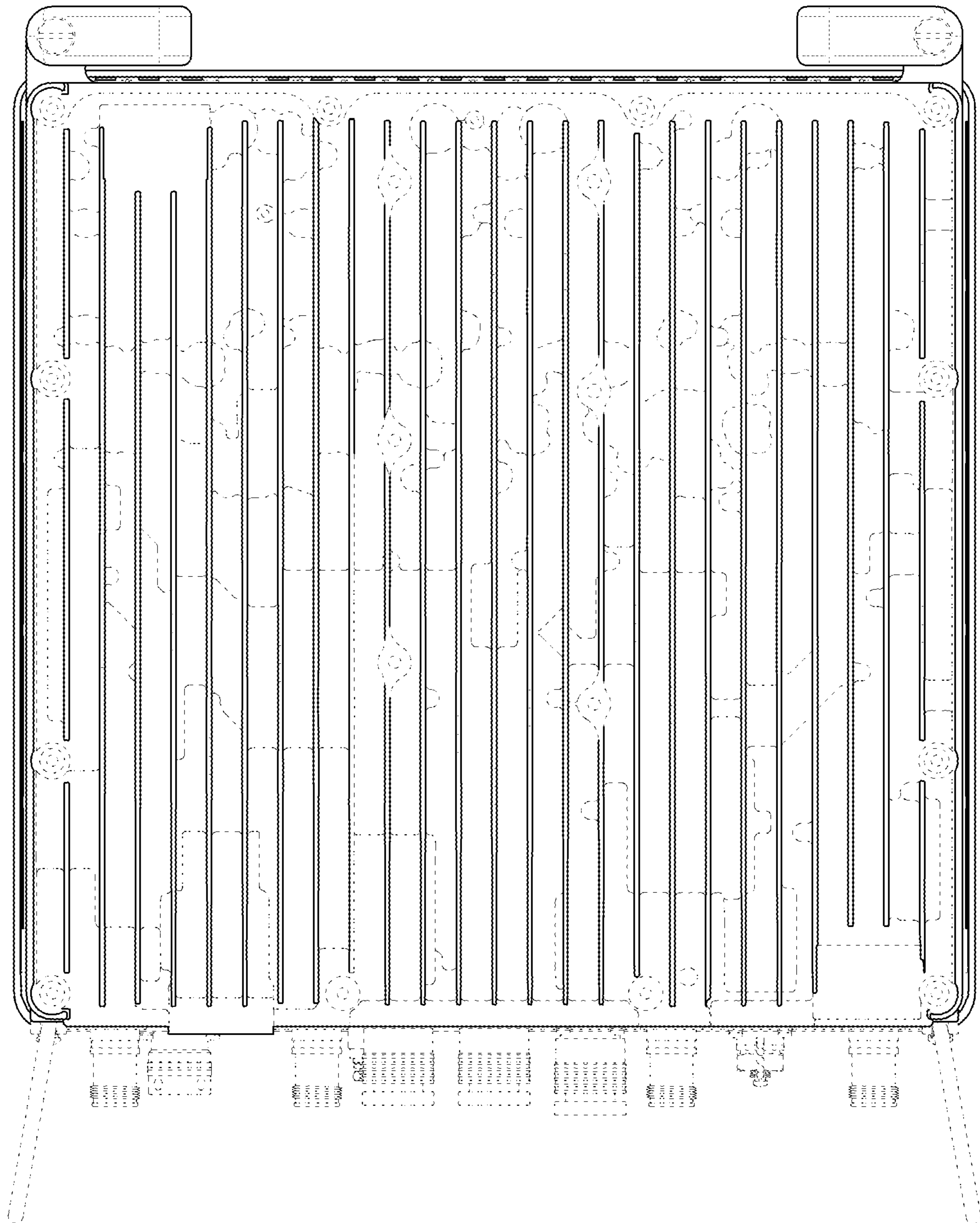


FIG. 4

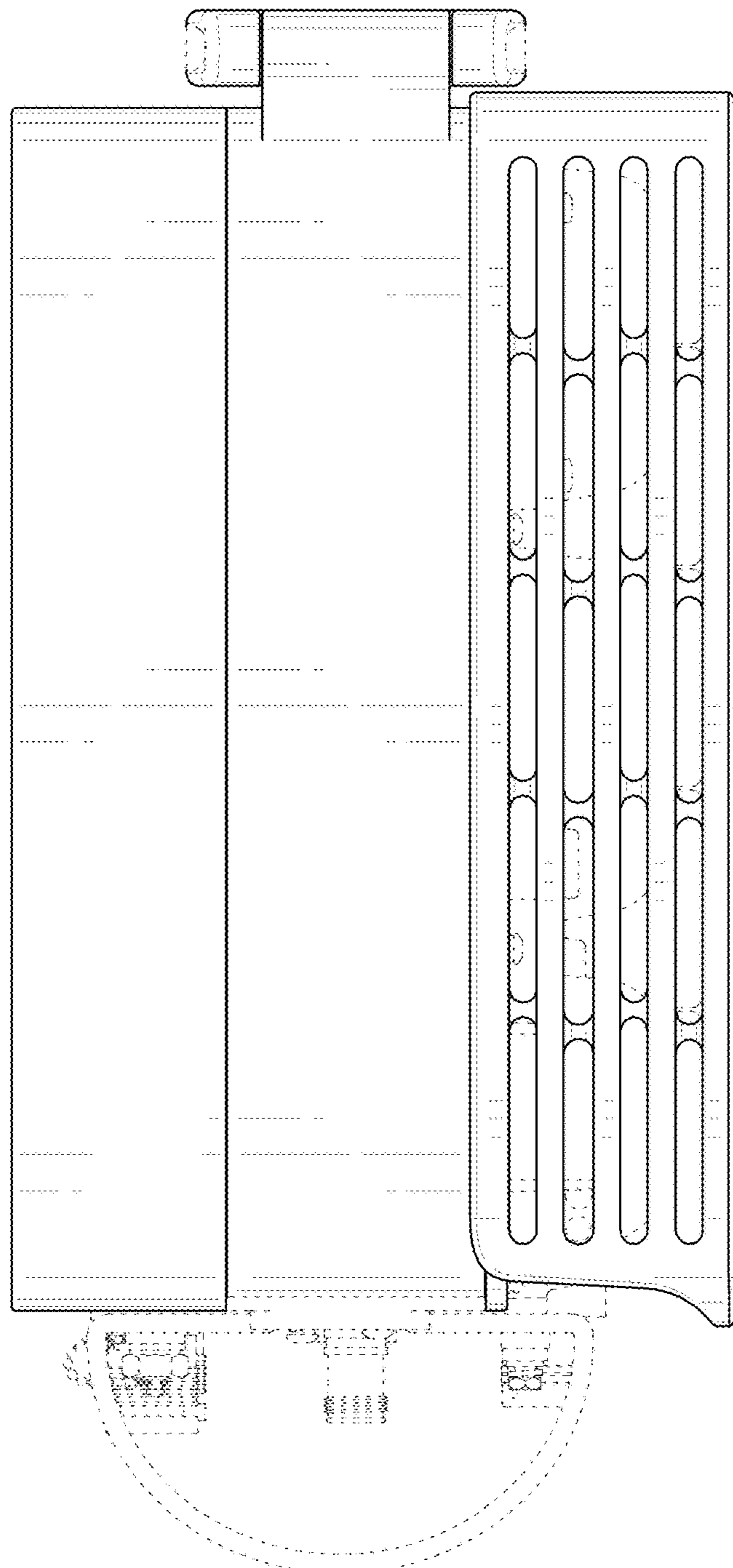


FIG. 5

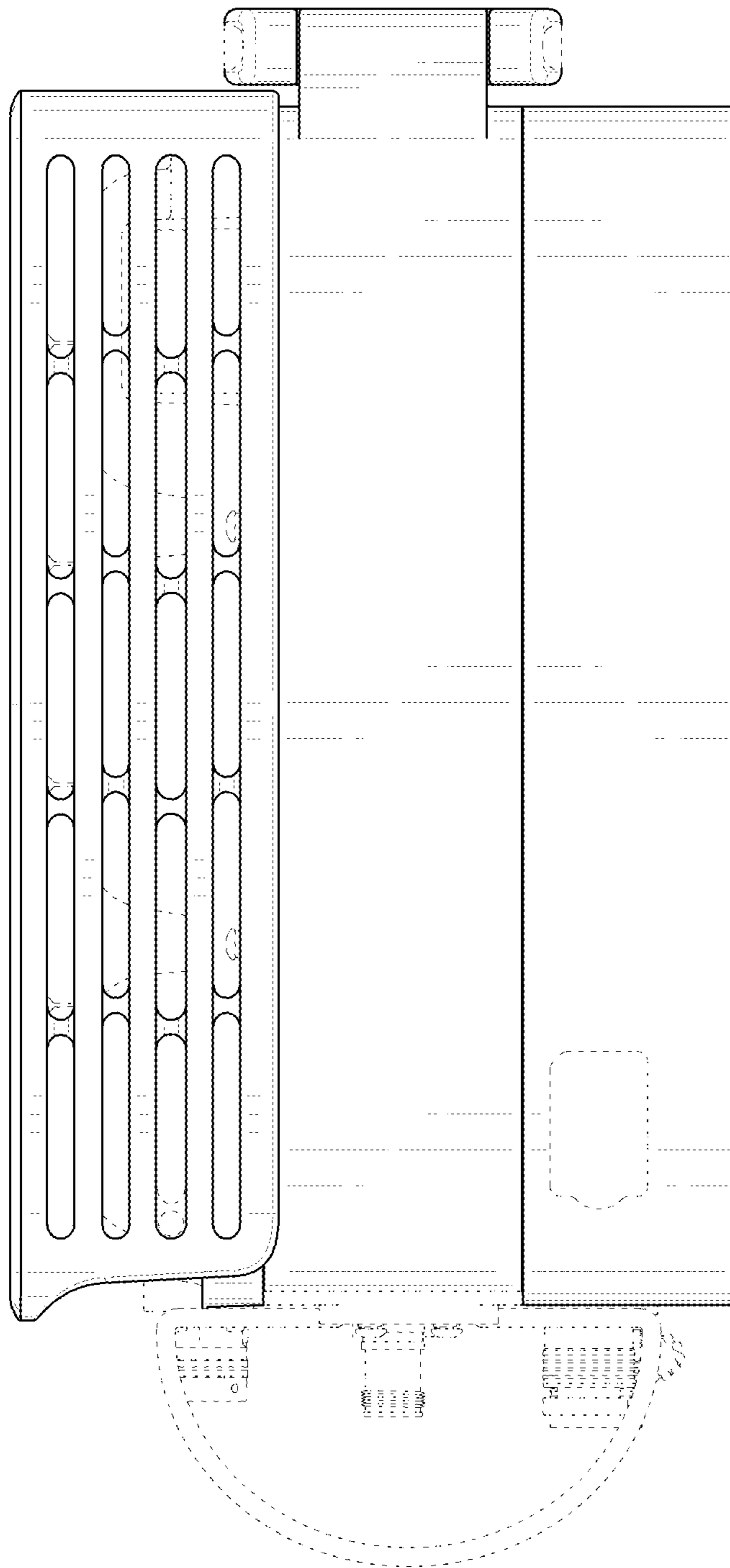


FIG. 6

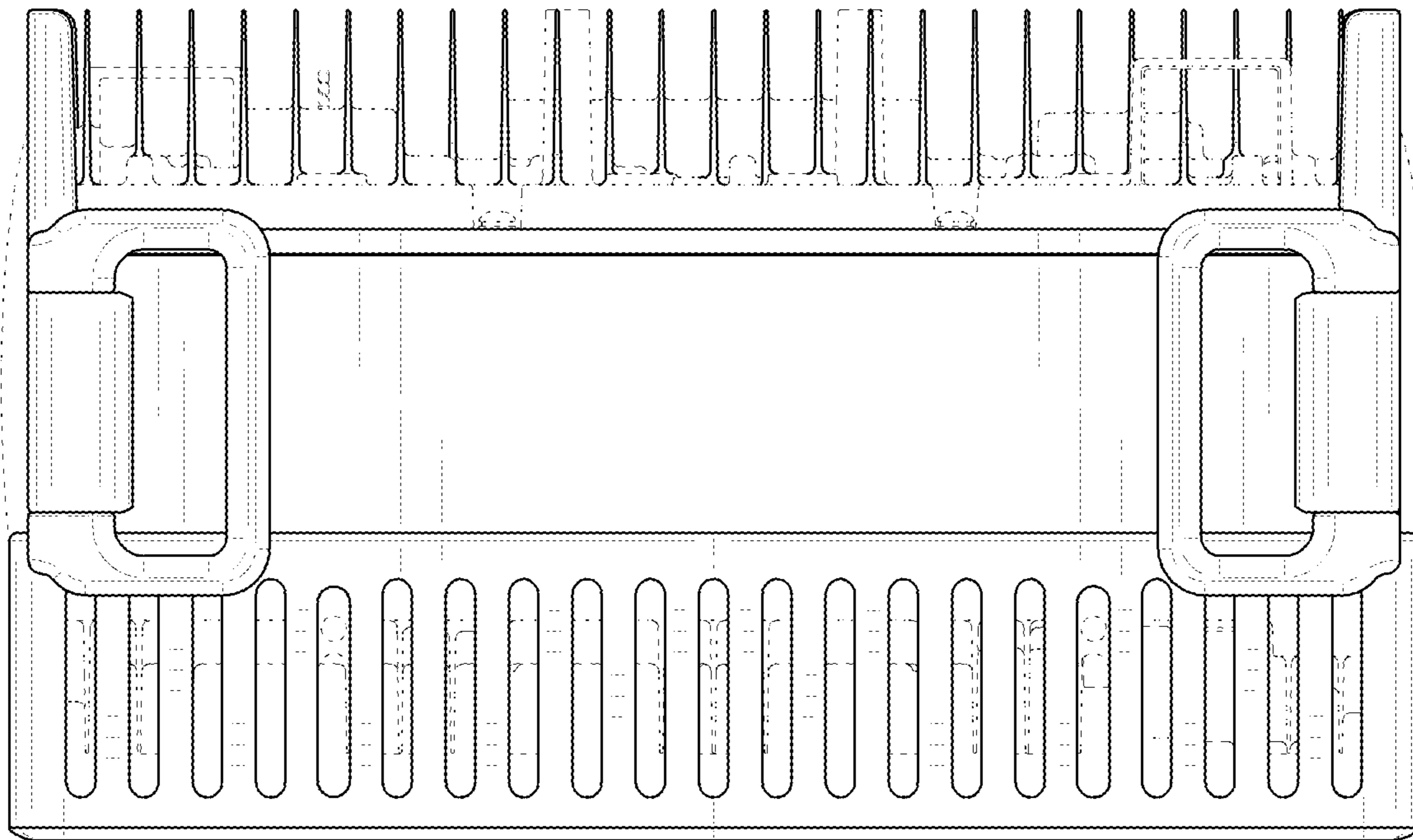


FIG. 7

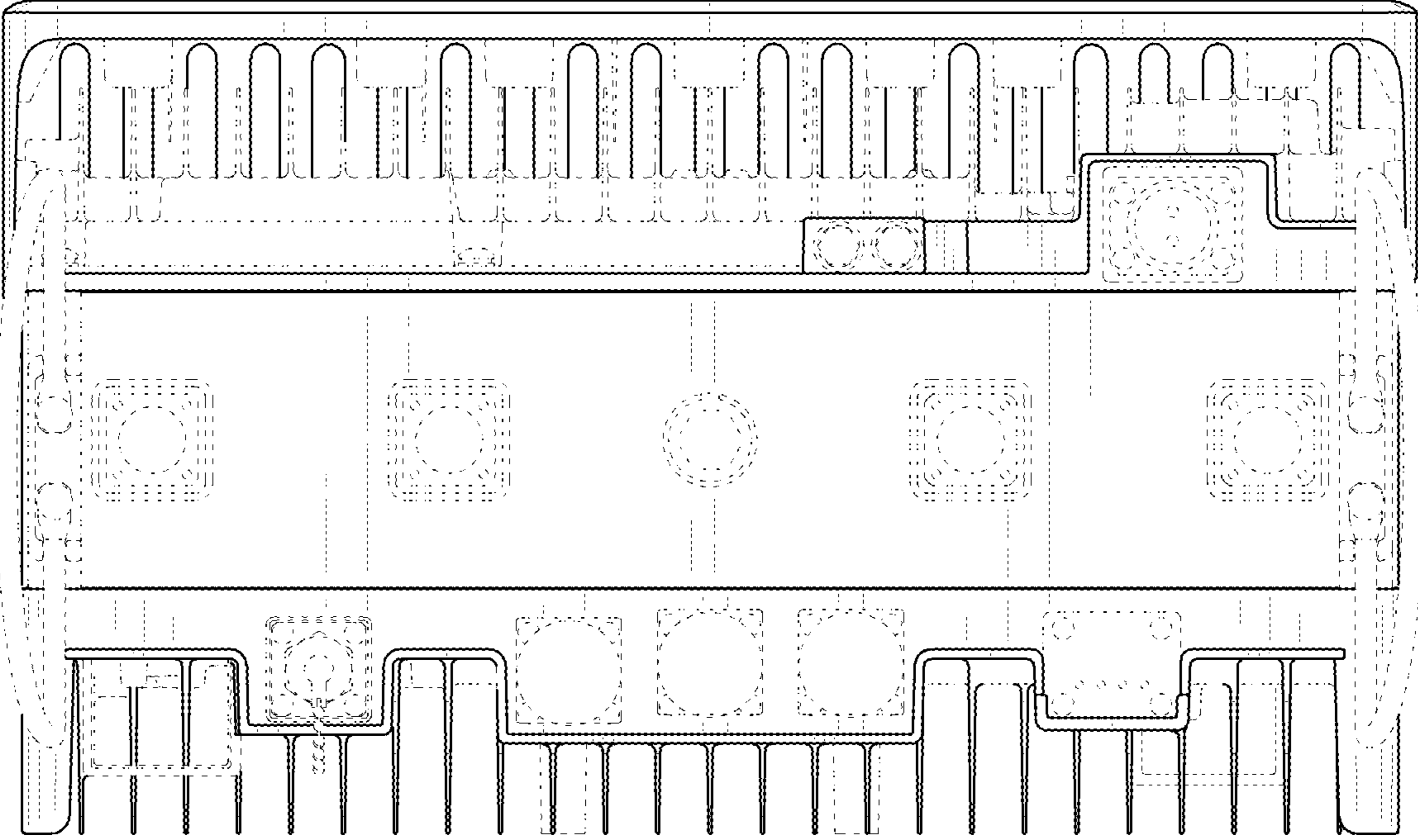




FIG. 8

