

US00D956028S

(12) **United States Design Patent**
Chen

(10) **Patent No.:** **US D956,028 S**

(45) **Date of Patent:** **** Jun. 28, 2022**

(54) **TELEPROMPTER**

(71) Applicant: **Shenzhen Bestview Electronic Co., Ltd**, Shenzhen Guangdong (CN)

(72) Inventor: **Qinyuan Chen**, Shenzhen Guangdong (CN)

(**) Term: **15 Years**

(21) Appl. No.: **29/729,849**

(22) Filed: **Mar. 31, 2020**

(30) **Foreign Application Priority Data**

Mar. 9, 2020 (CN) 202030076241.0

(51) **LOC (13) Cl.** **14-03**

(52) **U.S. Cl.**
USPC **D14/239**; D16/221

(58) **Field of Classification Search**
USPC D14/251, 253, 447; D16/232
CPC G03B 21/28; G02B 7/182; H04M 1/0272;
H04M 2250/54
See application file for complete search history.

(56) **References Cited**

U.S. PATENT DOCUMENTS

D614,613 S *	4/2010	Kim	D14/253
9,030,603 B1 *	5/2015	Vito	H04N 5/2252
				348/373
10,491,785 B1 *	11/2019	Arnot	H04N 5/2222
2002/0008774 A1 *	1/2002	Yata	H04N 5/2222
				348/375
2009/0256970 A1 *	10/2009	Bilbrey	H04N 5/2222
				348/722
2013/0329112 A1 *	12/2013	Dudkowski	H04N 5/2222
				348/333.08
2014/0016030 A1 *	1/2014	Vito	H04N 5/2252
				348/375
2014/0063469 A1 *	3/2014	Folcik	G03B 21/10
				353/79

2017/0064158 A1 *	3/2017	Arce	H04N 5/2254
2020/0014823 A1 *	1/2020	Chen	H04N 5/2222
2021/0278625 A1 *	9/2021	Chen	G02B 7/182

OTHER PUBLICATIONS

[Desview T2 Portable Teleprompter Review | 4K], announced in YouTube on Nov. 11, 2020 [online], [site visited Nov. 30, 2021], Available from the internet URL: <https://www.youtube.com/watch?v=rOg2jT1bifc> (Year: 2020).*

[Desview Authorized Desview T2 Phone Teleprompter], available in Amazon.com, date first available Jul. 6, 2020 [online], [site visited Nov. 23, 2021], Available from the internet URL: <https://www.amazon.com/Desview-T2-Teleprompter-Smartphone-Portable-Teleprompter-Control/dp/B08CDV95C9> (Year: 2020).*

* cited by examiner

Primary Examiner — Khawaja Anwar

Assistant Examiner — Megan Tiana Rakos

(57) **CLAIM**

The ornamental design for a teleprompter, as shown and described.

DESCRIPTION

FIG. 1 is a front and top perspective view of a teleprompter, showing my new design;

FIG. 2 is a rear and bottom perspective view thereof;

FIG. 3 is a front elevational view thereof;

FIG. 4 is a rear elevational view thereof;

FIG. 5 is a left side elevational view thereof;

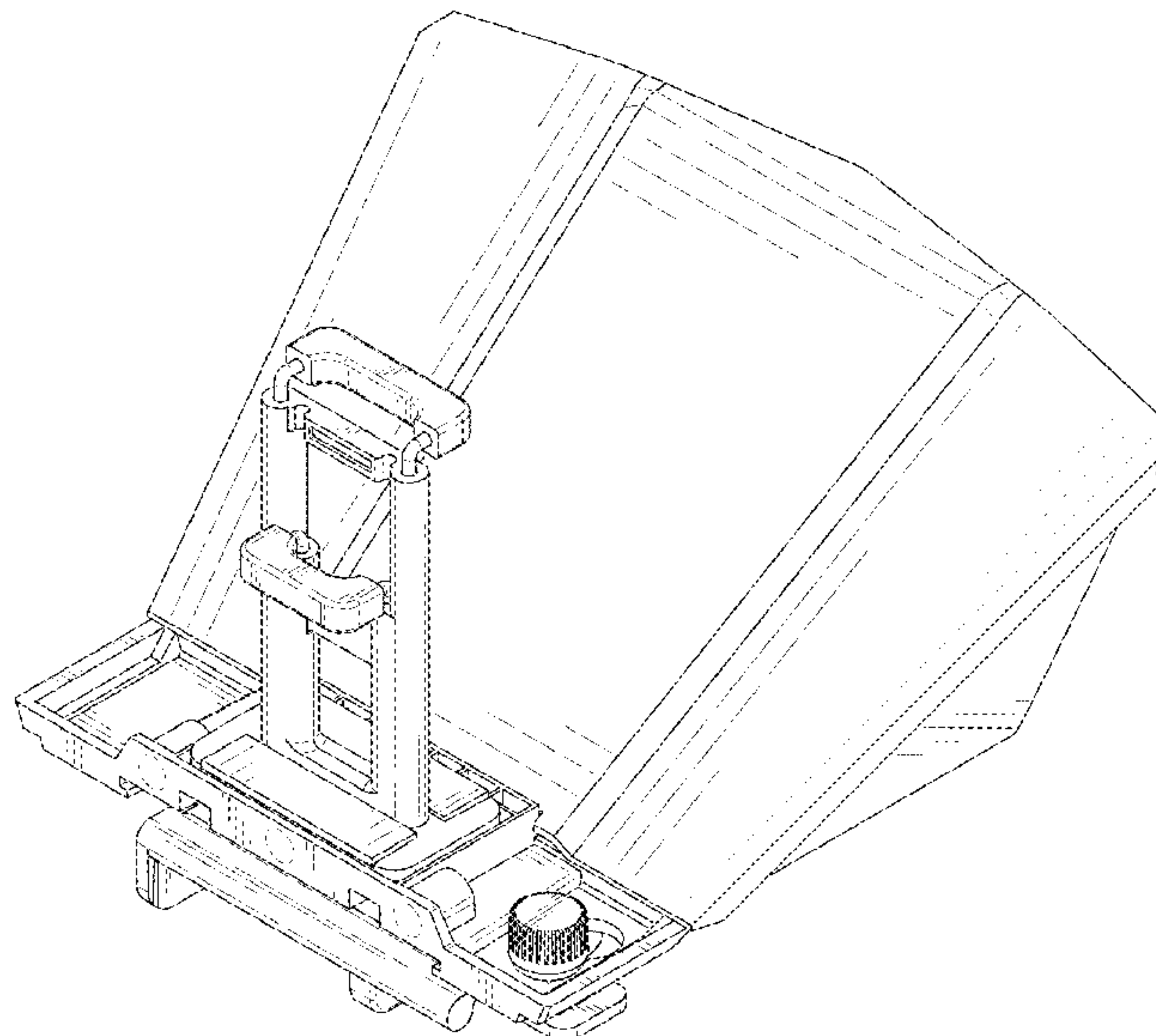
FIG. 6 is a right side elevational view thereof;

FIG. 7 is a top plan view thereof; and,

FIG. 8 is a bottom plan view thereof.

The broken lines in the figures illustrate portions of the teleprompter that form no part of the claimed design.

1 Claim, 8 Drawing Sheets



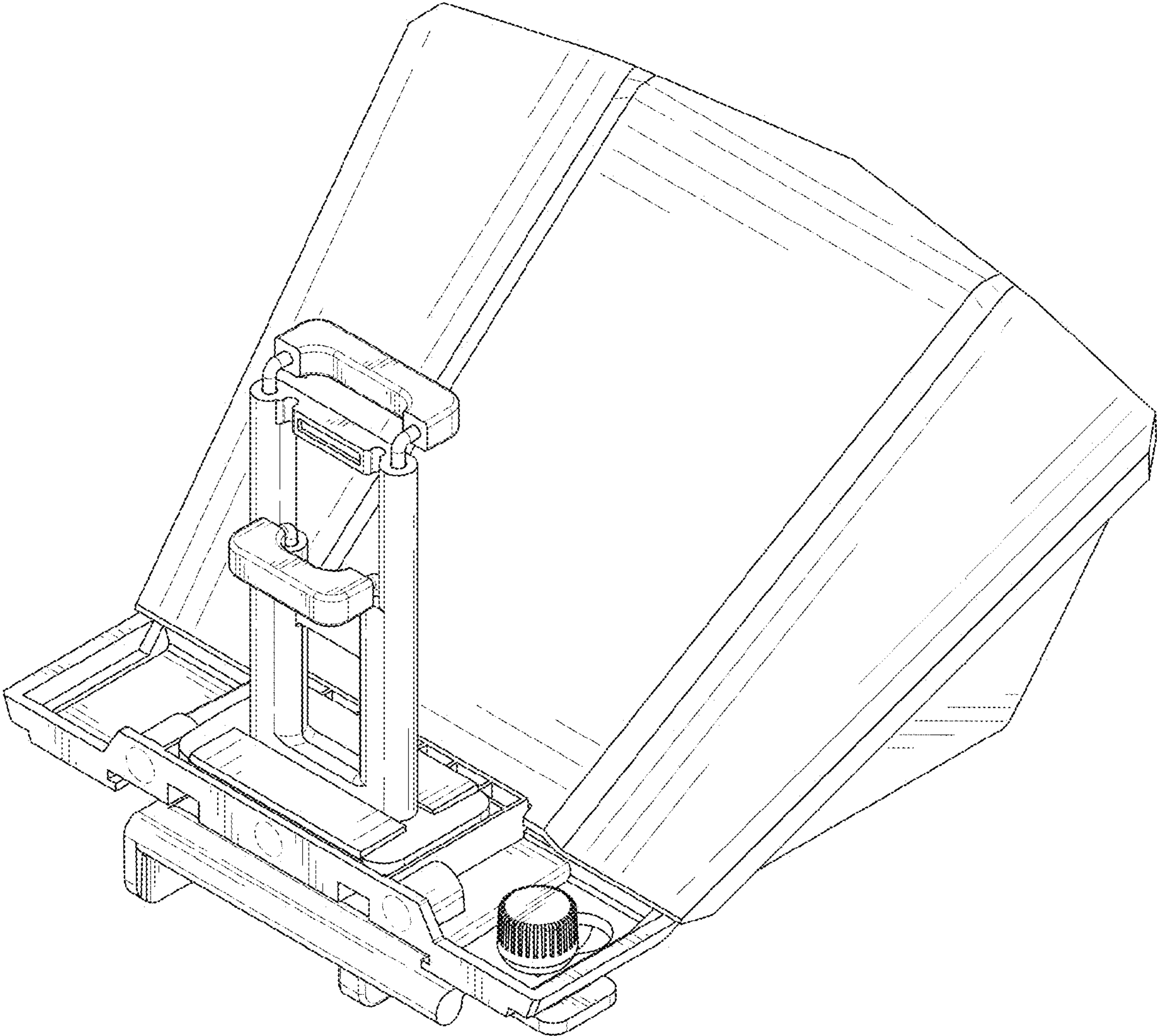


FIG. 1

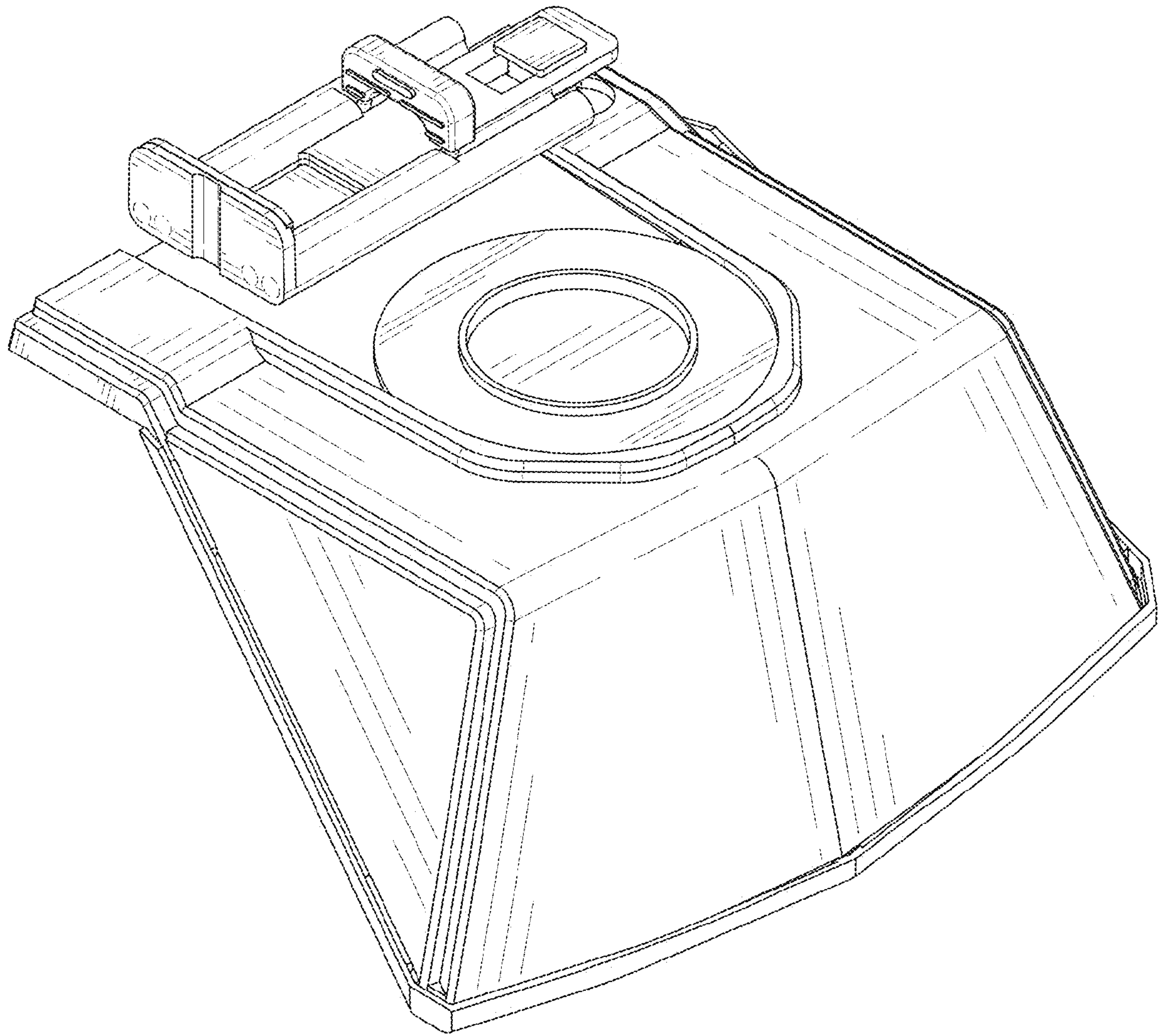


FIG. 2

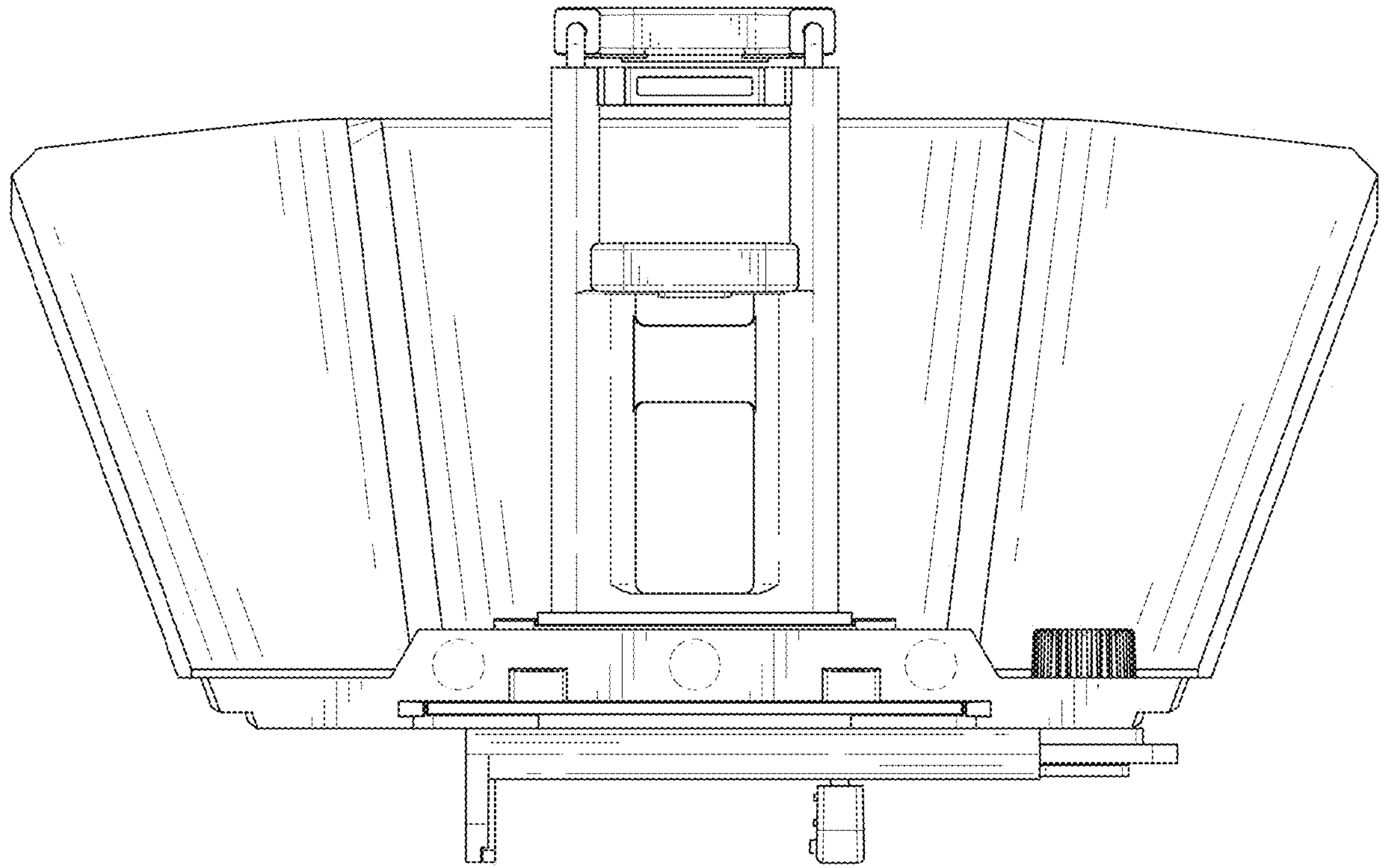


FIG. 3

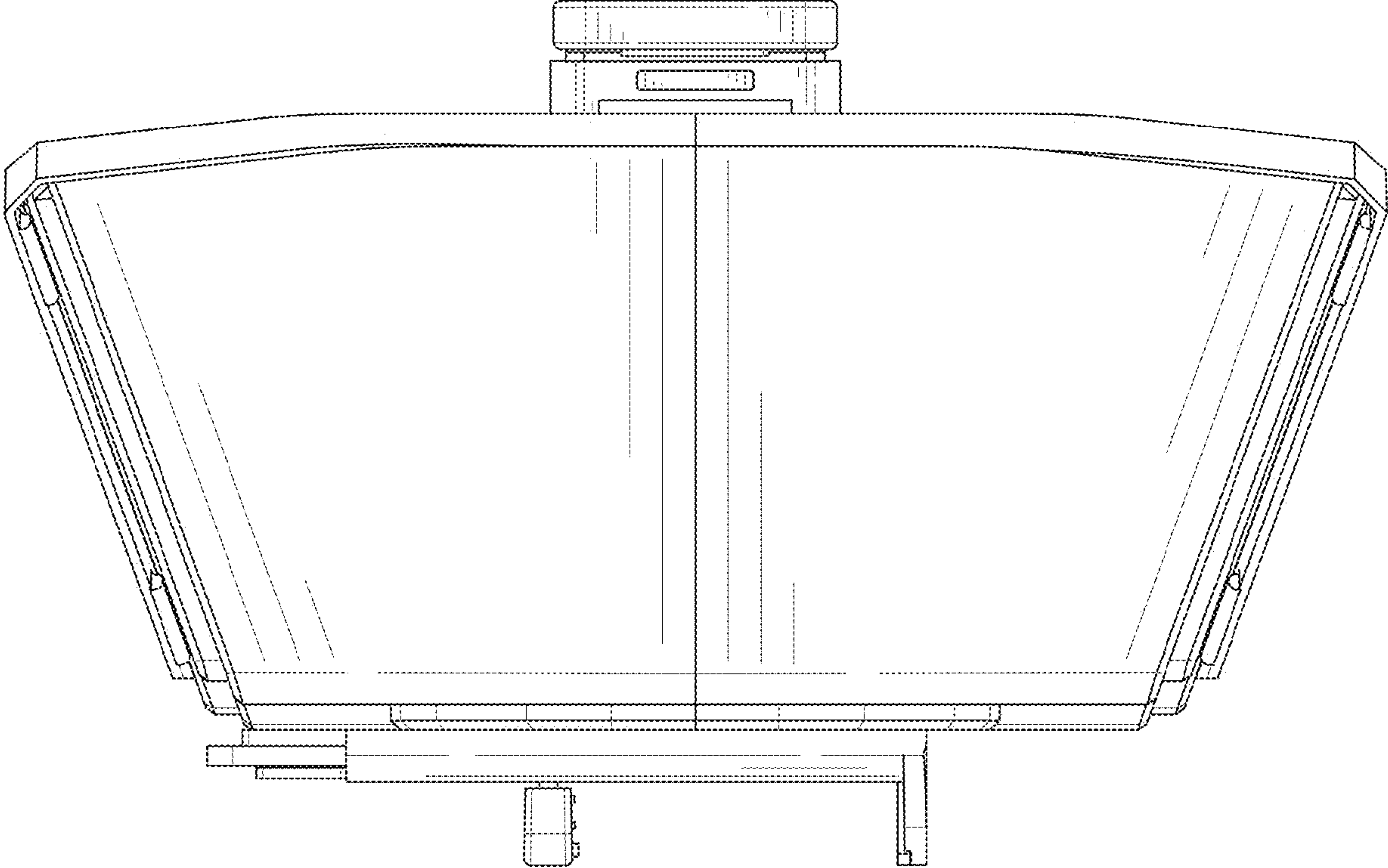


FIG. 4

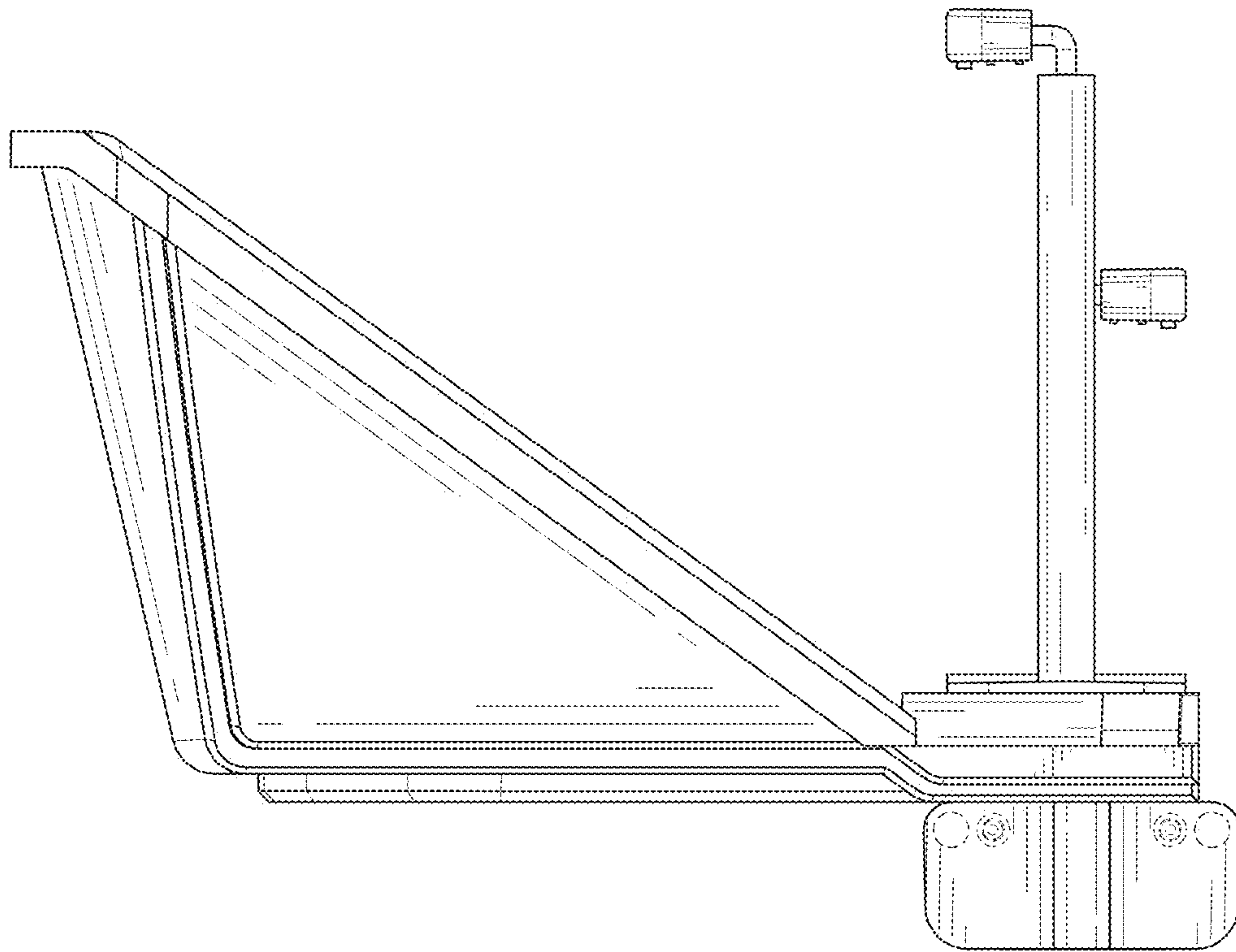


FIG. 5

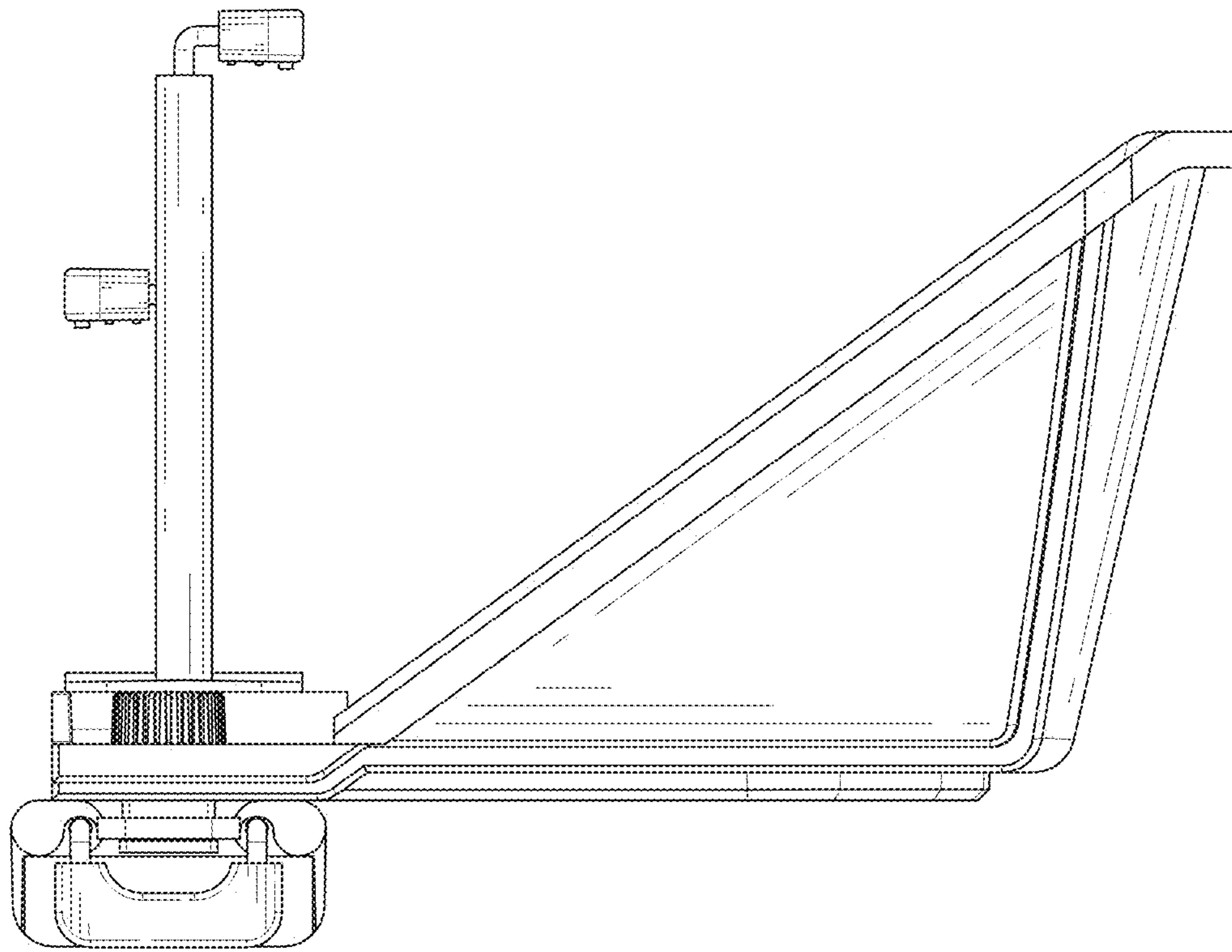


FIG. 6

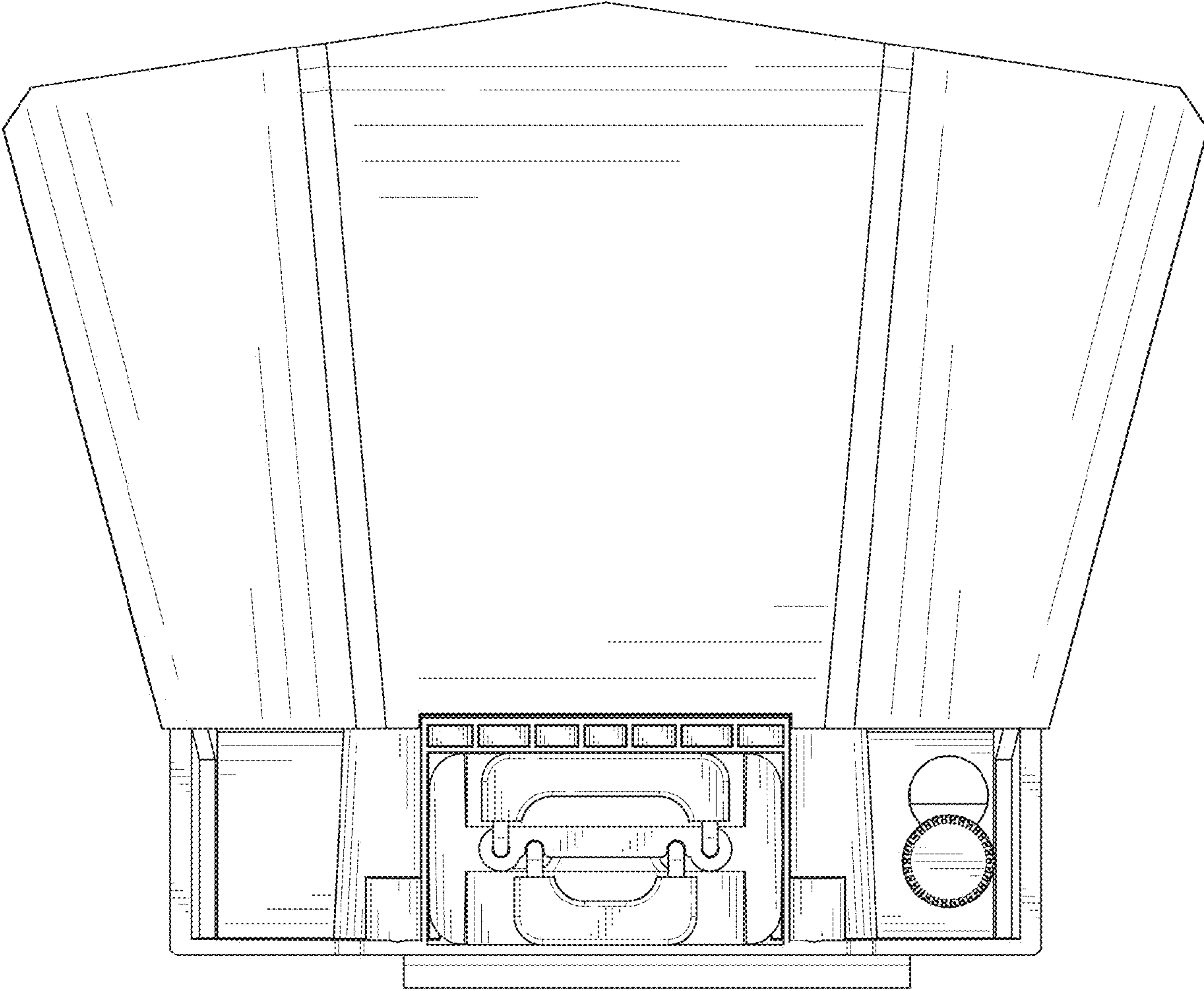


FIG. 7

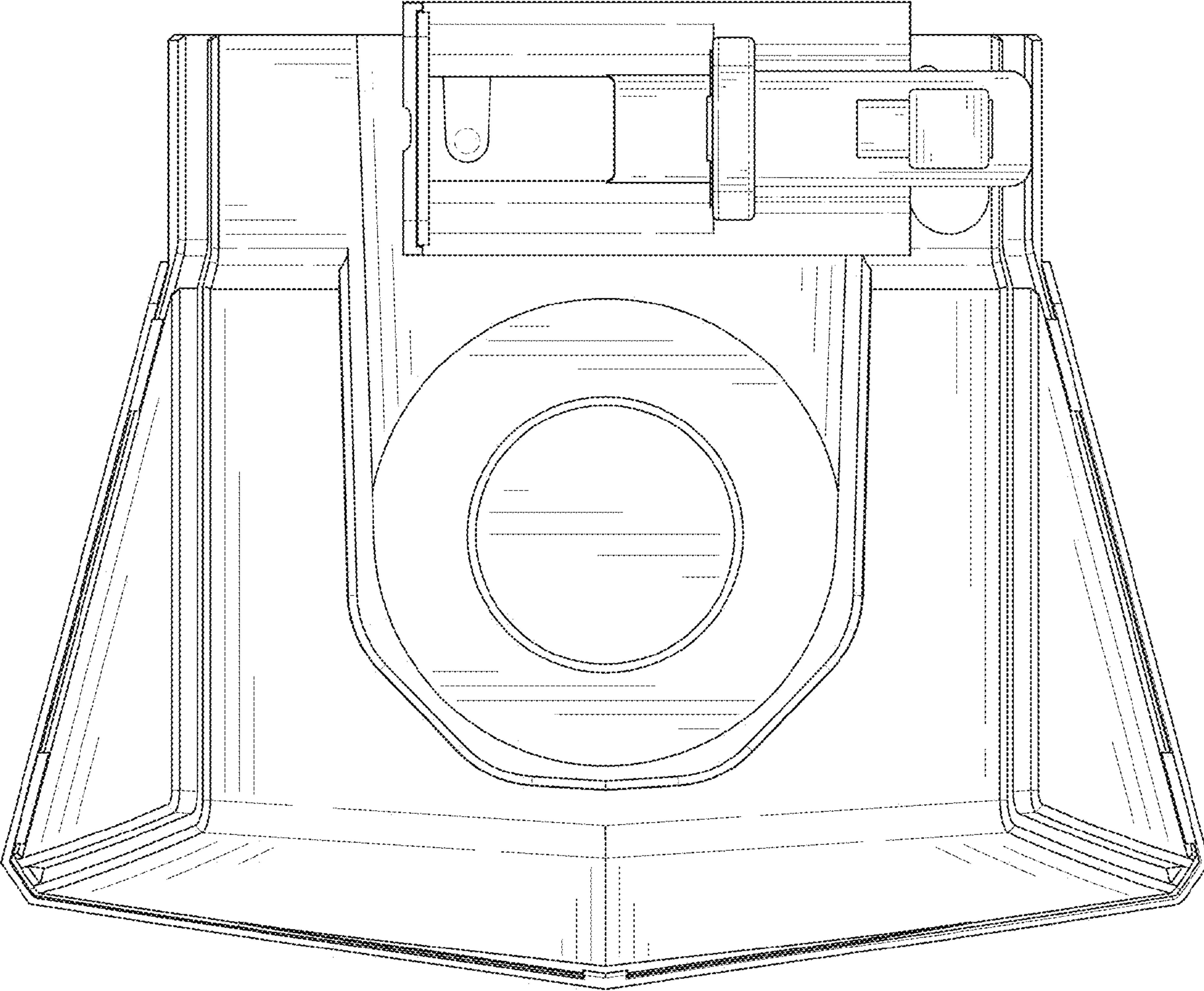


FIG. 8