



US00D956026S

(12) **United States Design Patent** (10) **Patent No.:** **US D956,026 S**  
**Kentley-Klay et al.** (45) **Date of Patent:** **\*\* Jun. 28, 2022**

(54) **VEHICLE ANTENNA**  
(71) Applicant: **Zoox, Inc.**, Foster City, CA (US)

D595,274 S \* 6/2009 Skottke ..... D14/230  
D602,921 S \* 10/2009 Skottke ..... D14/230  
D632,166 S \* 2/2011 Spadotto ..... D8/396  
(Continued)

(72) Inventors: **Timothy David Kentley-Klay**,  
Stanford, CA (US); **Nahuel Elias Battaglia**,  
Stanford, CA (US); **Herman Francisco Delos Santos**,  
Redwood City, CA (US); **Richard Luke Osellame**,  
Redwood City, CA (US); **Christopher John Stoffel**,  
San Carlos, CA (US)

FOREIGN PATENT DOCUMENTS

CN 304865005 \* 10/2018  
CN 306469629 \* 4/2021  
KR 300848713.0000 \* 4/2019

(73) Assignee: **Zoox, Inc.**, Foster City, CA (US)

(\*\*) Term: **15 Years**

OTHER PUBLICATIONS

Laird, Gar VFD69383X1NJN 2-Port Vehicular Antenna, available at te.com, date published Nov. 2021, site visited Mar. 10, 2022, Available at URL: <https://bit.ly/3J9pTbe> (Year: 2021).\*

(21) Appl. No.: **29/765,720**

(Continued)

(22) Filed: **Jan. 11, 2021**

*Primary Examiner* — Daniel J Domino

*Assistant Examiner* — Samina Vieth

(74) *Attorney, Agent, or Firm* — Lee & Hayes, P.C.

**Related U.S. Application Data**

(63) Continuation of application No. 29/655,146, filed on Jun. 29, 2018, now Pat. No. Des. 909,349.

(51) **LOC (13) Cl.** ..... **14-03**

(52) **U.S. Cl.**  
USPC ..... **D14/230**

(58) **Field of Classification Search**  
USPC ..... D14/239, 218, 155, 159, 223; D21/566;  
D10/56, 40, 71  
CPC ..... G06F 1/187; G06F 1/183; G06F 1/184;  
G06F 1/16; H05K 7/1424; H05K 7/1409;  
H05K 7/20; H05K 7/20727; H05K  
7/1425

See application file for complete search history.

(57) **CLAIM**

The ornamental design for a vehicle antenna, as shown and described.

**DESCRIPTION**

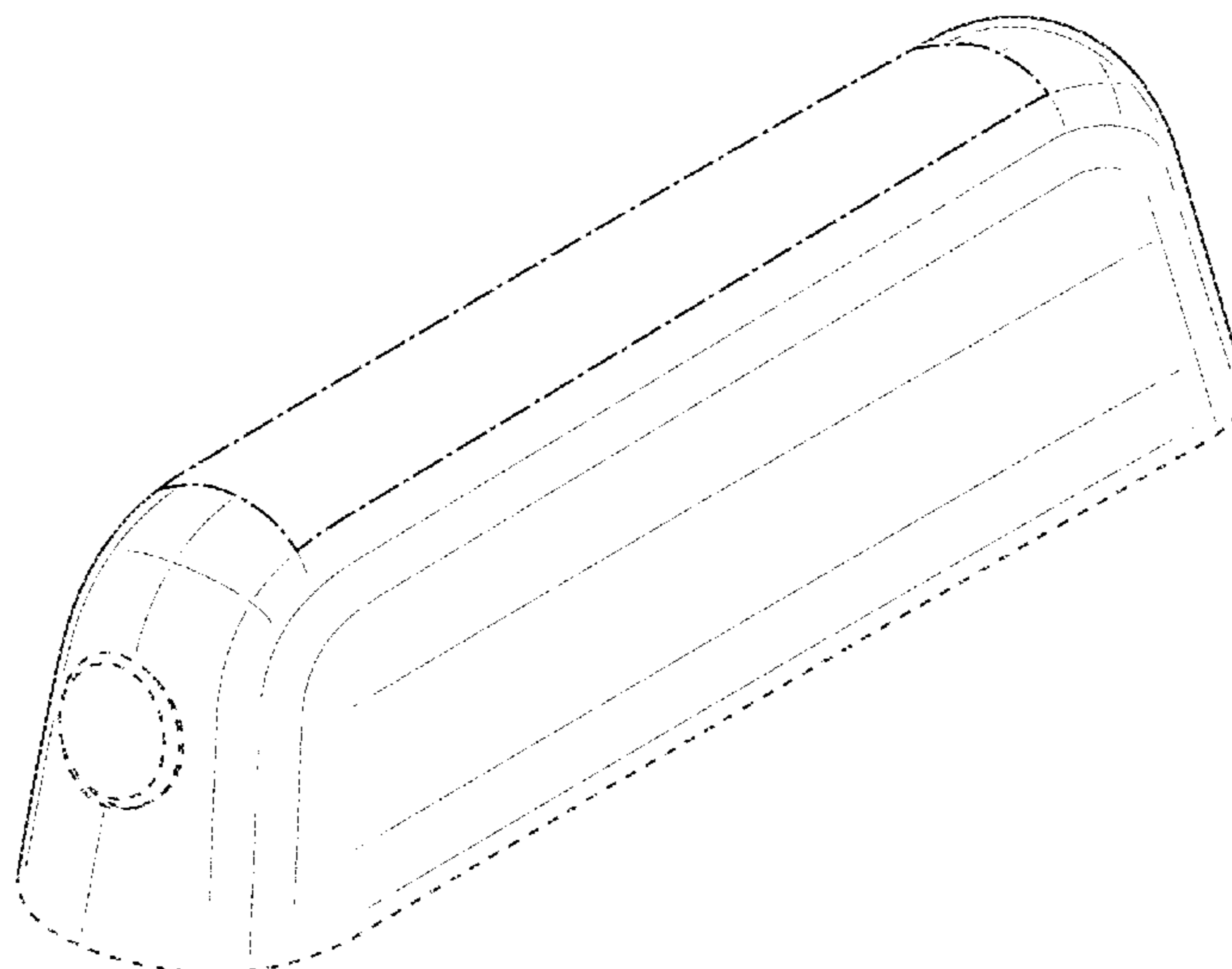
FIG. 1 is a front perspective view of a vehicle antenna;  
FIG. 2 is a front view thereof;  
FIG. 3 is a back view thereof;  
FIG. 4 is a right-side view thereof;  
FIG. 5 is a left-side view thereof;  
FIG. 6 is a top view thereof;  
FIG. 7 is a bottom view thereof; and,  
FIG. 8 is an alternative perspective view including dis-  
claimed environment of the vehicle antenna.  
The dashed broken lines depict portions of the vehicle  
antenna or environment of the vehicle antenna which form  
no part of the claimed design. The dot dashed broken lines  
represent boundaries of the claimed vehicle antenna and  
form no part of the claimed design.

(56) **References Cited**

U.S. PATENT DOCUMENTS

D211,028 S \* 5/1968 Zucconi ..... D14/230  
D531,996 S \* 11/2006 Cislo ..... D14/230  
D568,904 S \* 5/2008 Osumi ..... D15/4  
D581,909 S 12/2008 Jeong

**1 Claim, 8 Drawing Sheets**



(56)

**References Cited**

U.S. PATENT DOCUMENTS

D673,533	S	*	1/2013	Ennabli .....	D14/230
D675,601	S		2/2013	Huet	
D680,014	S	*	4/2013	Corso .....	D10/106.6
D681,018	S		4/2013	Hakamata	
D684,563	S	*	6/2013	Meek .....	D14/230
D799,454	S	*	10/2017	Lin .....	D14/230
D801,320	S	*	10/2017	Wechselberger .....	D14/230
D826,219	S	*	8/2018	Kobayashi .....	D14/230
D909,349	S	*	2/2021	Kentley-Klay .....	D14/230
D924,726	S	*	7/2021	Kentley-Klay .....	D12/84

OTHER PUBLICATIONS

Visland, Car Auto Shark Fin Roof Aerial . . . , available at walmart.com, oldest review date Dec. 14, 2021, site visited Mar. 10, 2022, Available at URL:<https://bit.ly/3pRqd6v> (Year: 2021).\*

Arcadian, GLPSF-UH6X1HB—Tooper Max Slender Sharkfin . . . , available at arcantenna.com, date published Jul. 2021, site visited 03/10/202, Available at URL: <https://bit.ly/3vVRnNz> (Year: 2021).\*

Chinese Office Action dated Apr. 7, 2020, for the Chinese Design Application No. 201830770318.7, a counterpart foreign application of the U.S. Appl. No. 29/655,146, 2 pages.

Chinese Office Action dated Jul. 22, 2019, for the Chinese Patent Application No. 201830770318.7, a counterpart foreign application of the U.S. Appl. No. 29/655,146.

\* cited by examiner

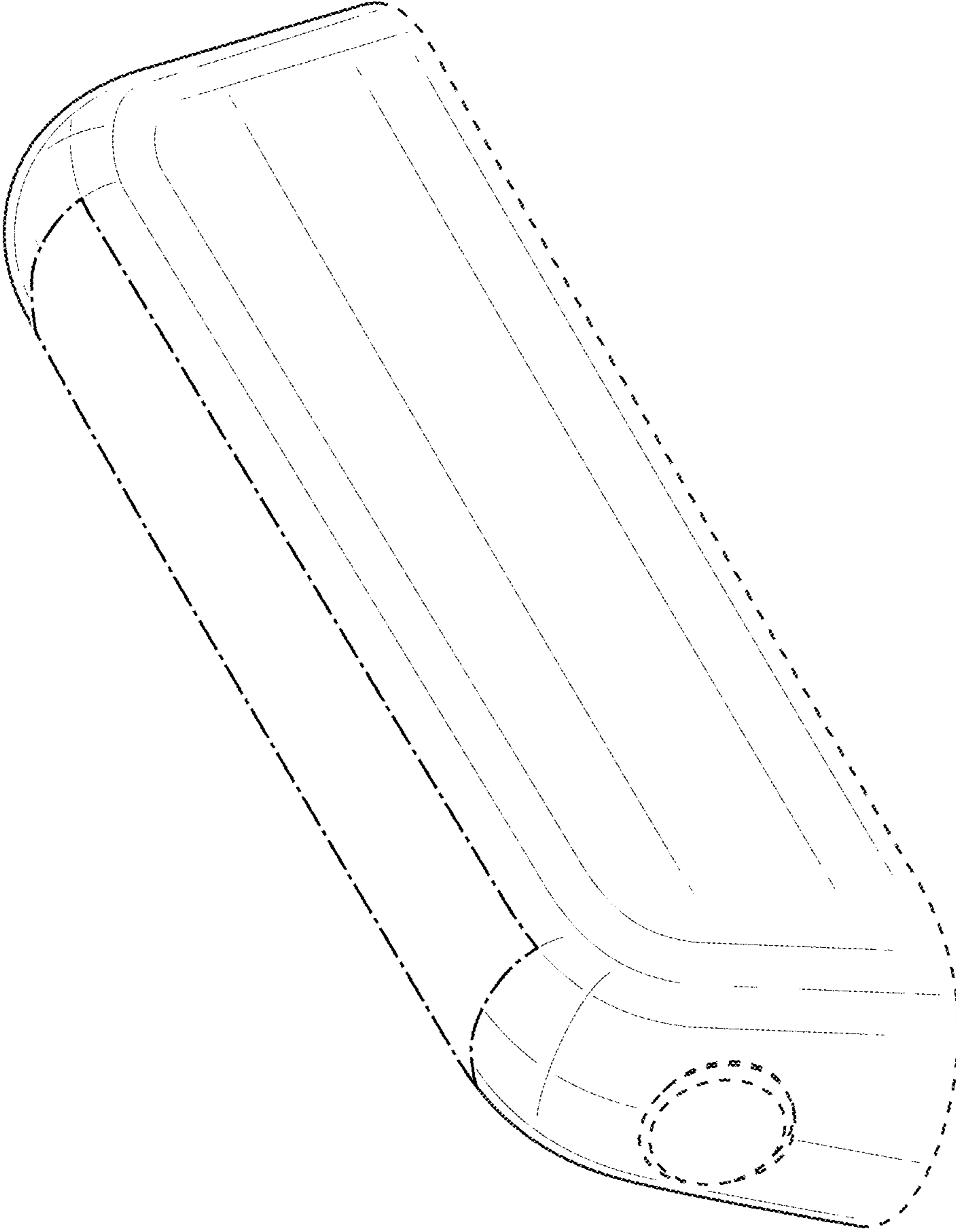


FIG. 1

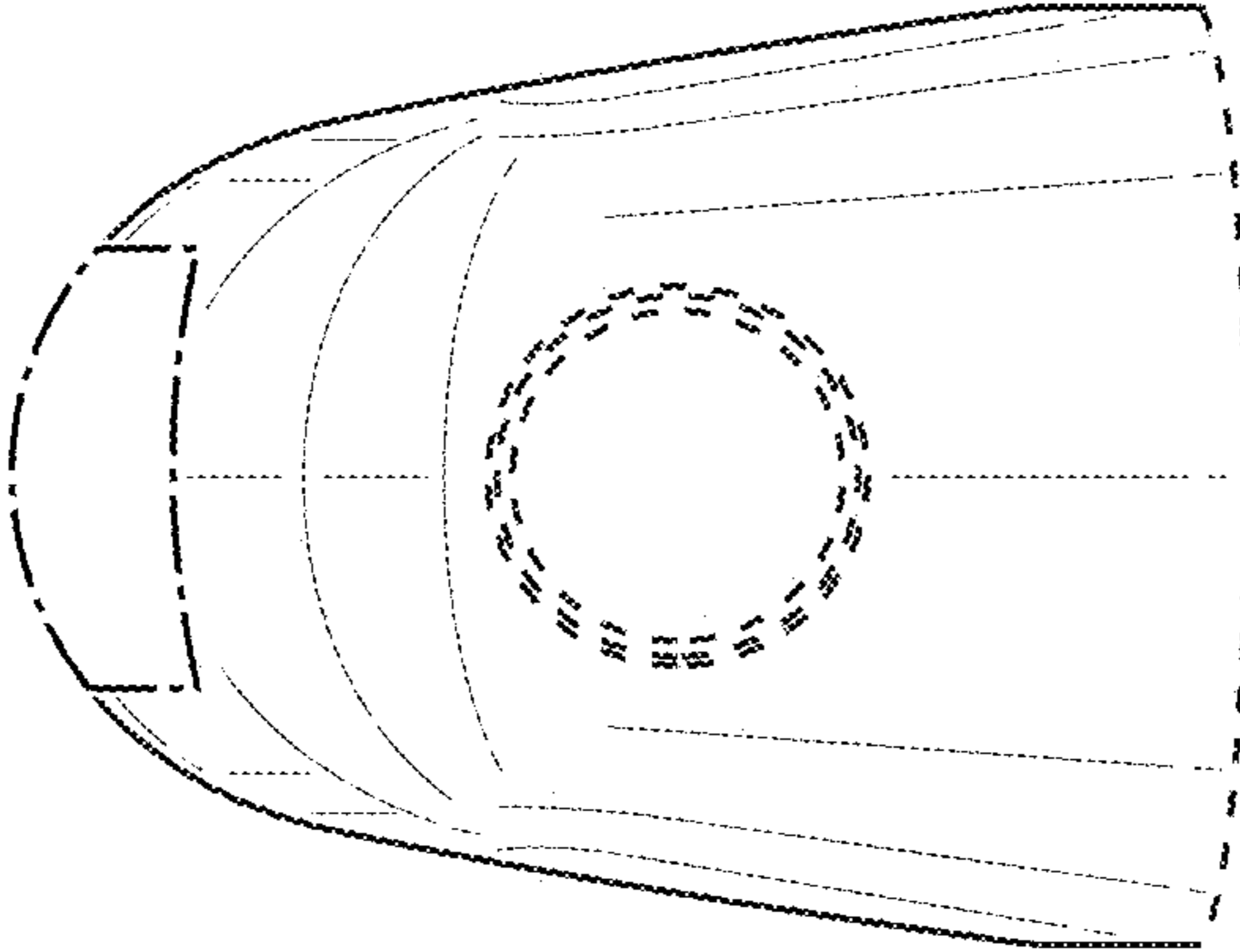


FIG. 2

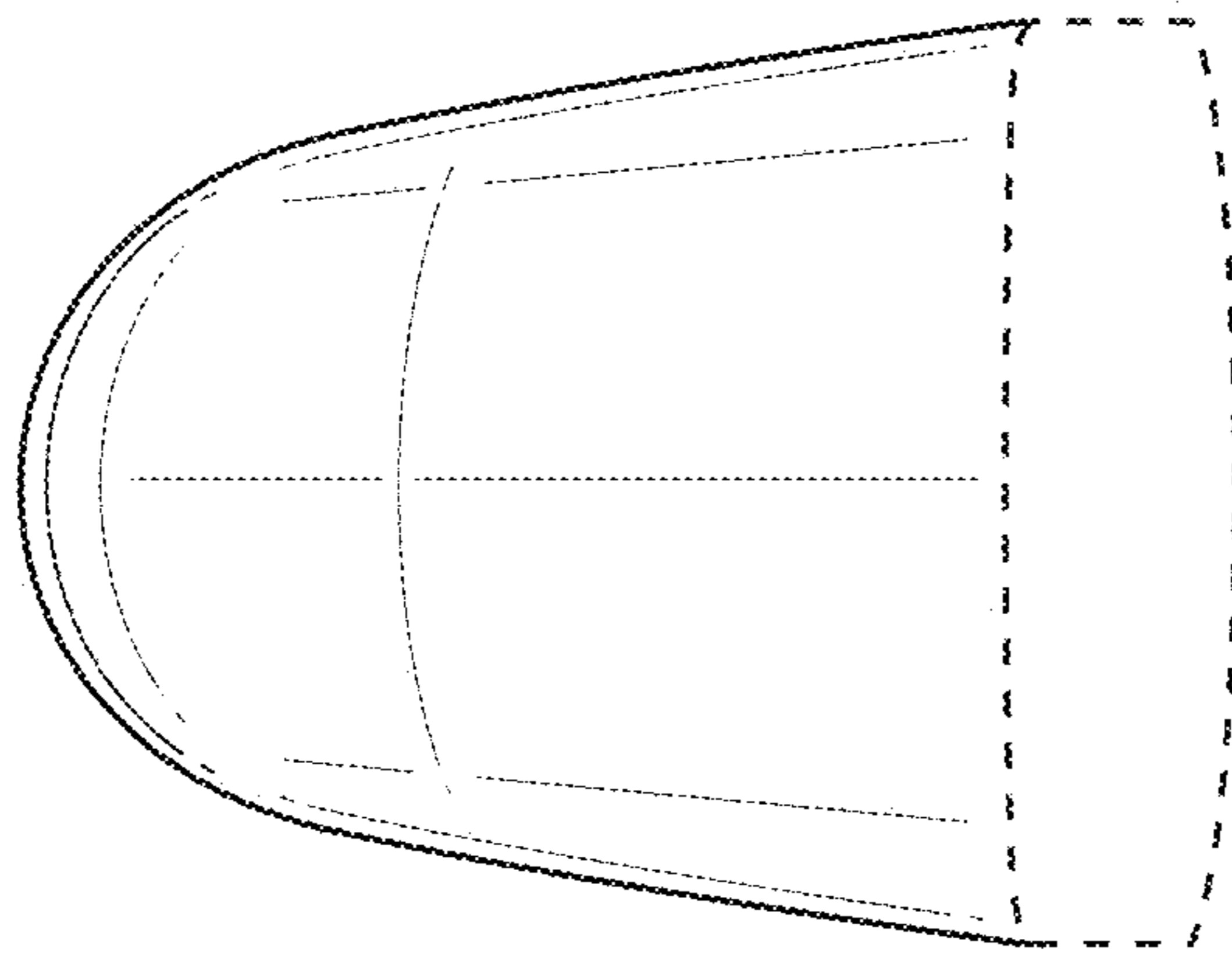


FIG. 3

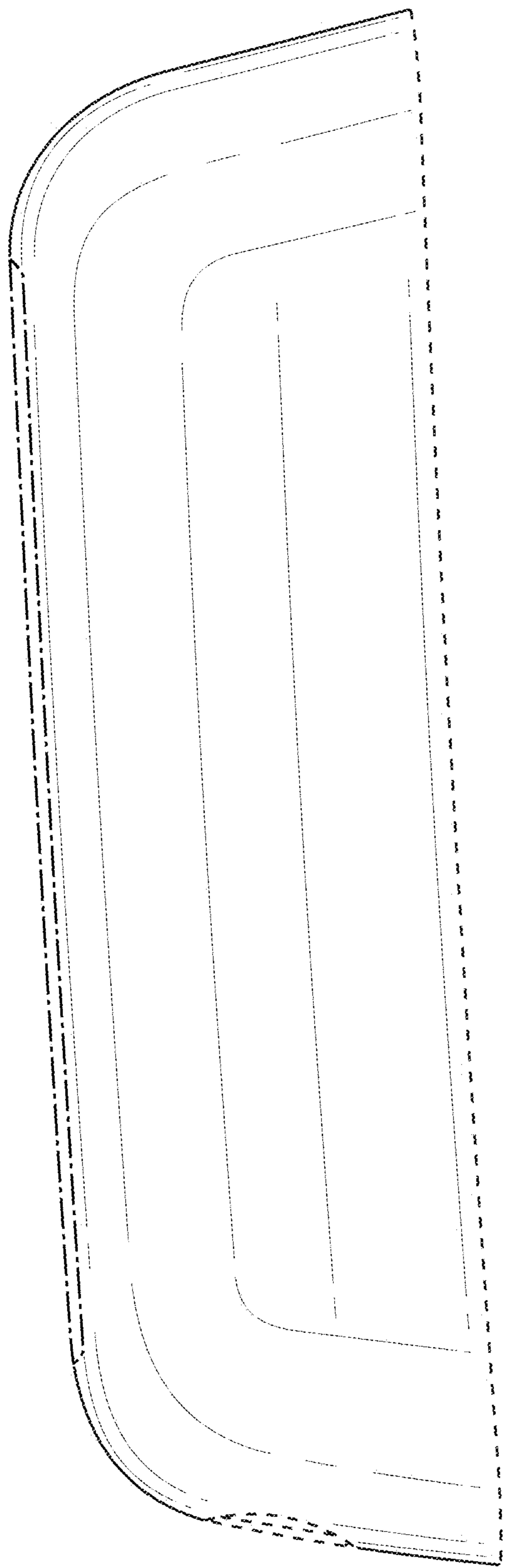


FIG. 4

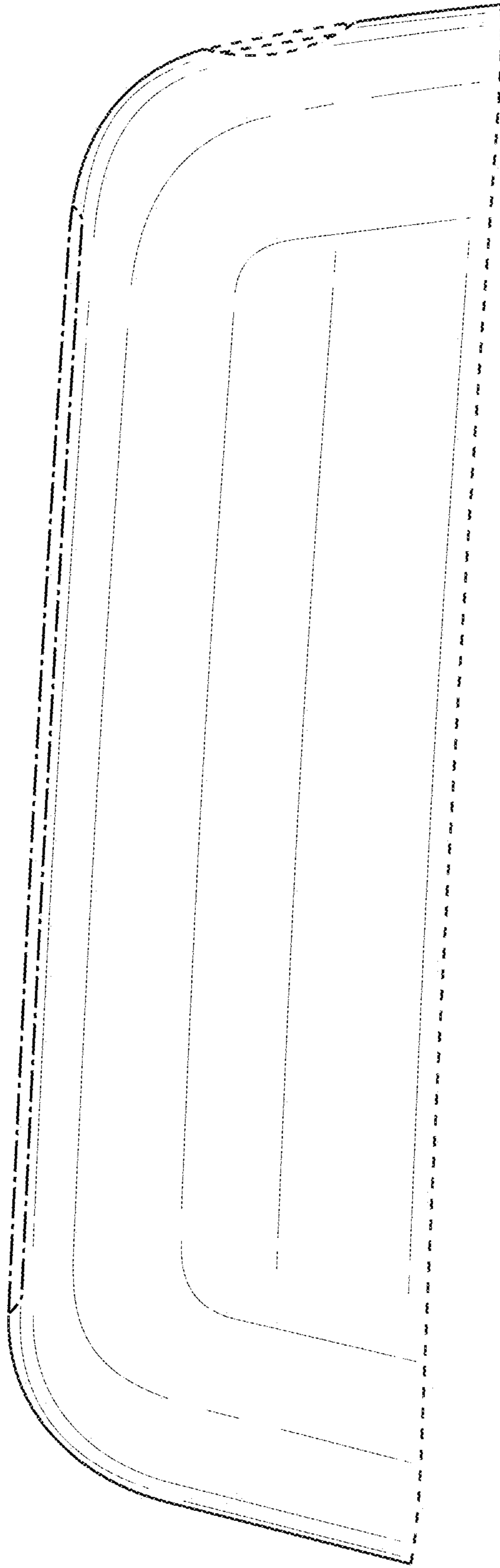


FIG. 5

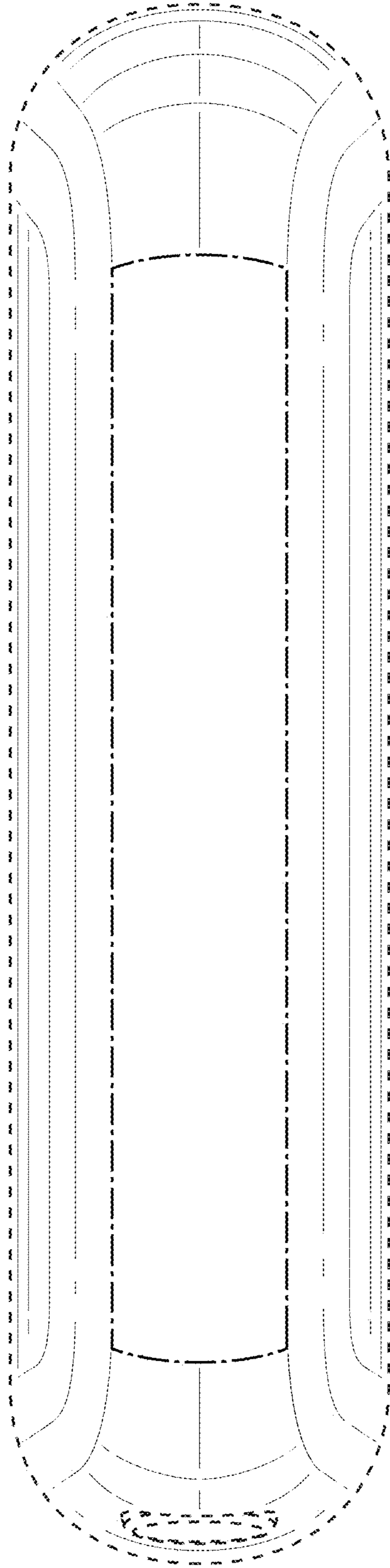


FIG. 6



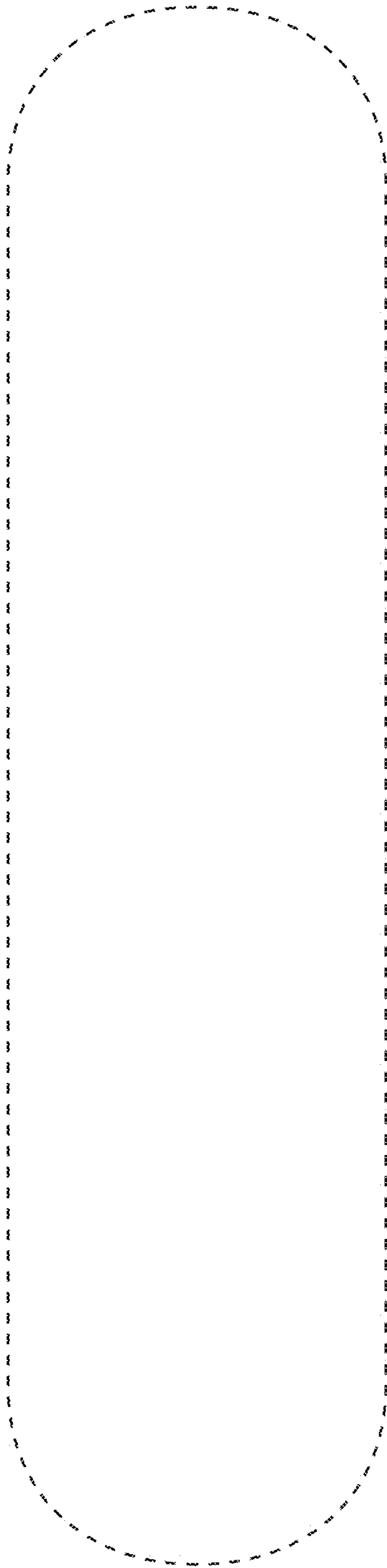


FIG. 7

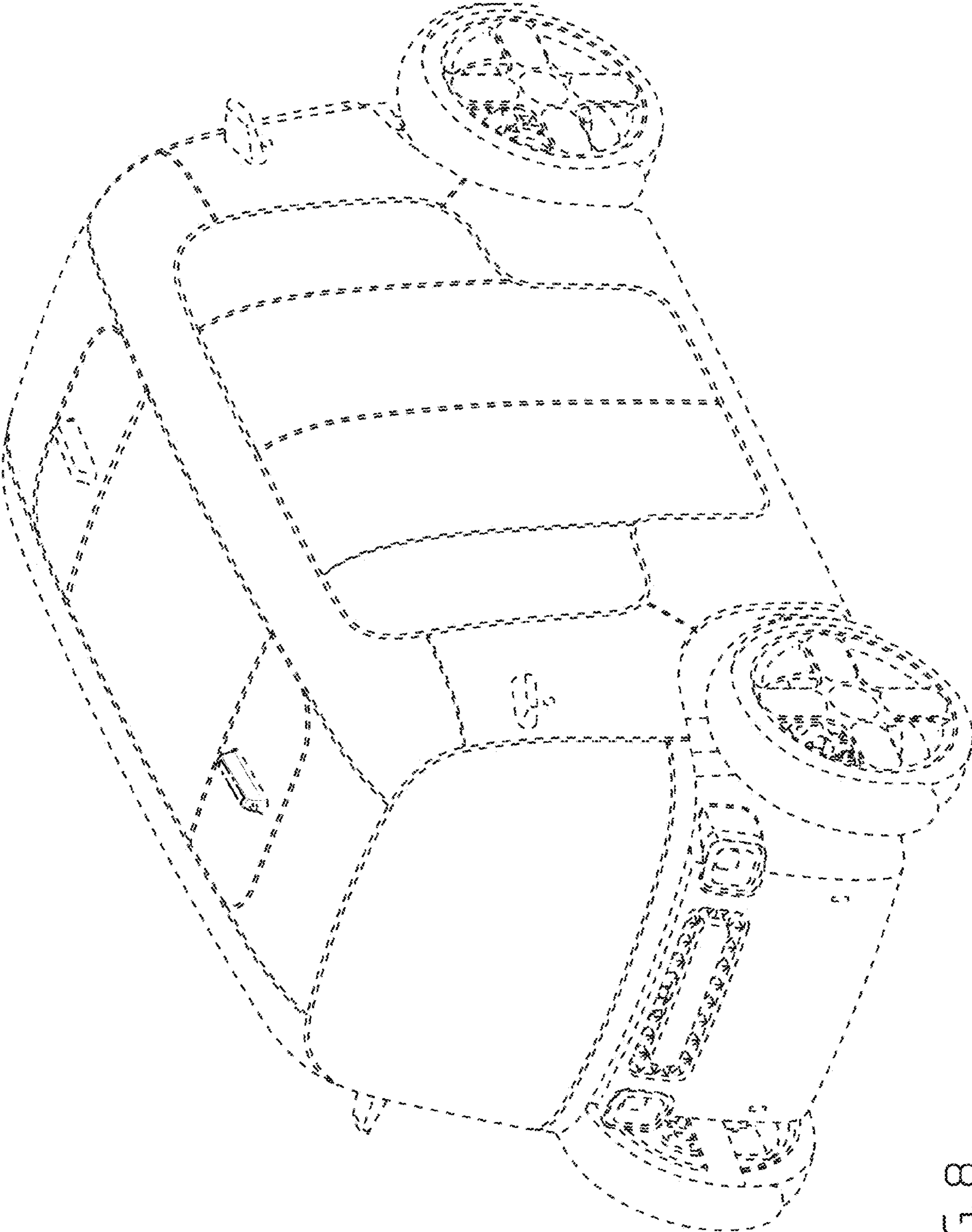


FIG. 8