



US00D956025S

(12) **United States Design Patent**
Deng et al.

(10) **Patent No.: US D956,025 S**
(45) **Date of Patent: ** Jun. 28, 2022**

(54) **WIRELESS MICROPHONE**

(71) Applicant: **Shenzhen Jiayz Photo Industrial, Ltd**, Shenzhen (CN)

(72) Inventors: **Gang Deng**, Shenzhen (CN); **Jinshu Hu**, Shenzhen (CN)

(**) Term: **15 Years**

(21) Appl. No.: **29/741,816**

(22) Filed: **Jul. 16, 2020**

(51) **LOC (13) Cl.** **14-01**

(52) **U.S. Cl.**
USPC **D14/225**

(58) **Field of Classification Search**
USPC ... D14/137, 138, 155, 159, 188, 192, 203.1,
D14/203.3, 217, 225, 226, 240, 242, 358,
D14/433; D13/103, 107, 168; D16/208;
D21/513

CPC Y02E 60/10; A45F 5/00
See application file for complete search history.

(56) **References Cited**

U.S. PATENT DOCUMENTS

D407,403 S *	3/1999	Lee	D14/198
D540,774 S *	4/2007	Alwicker	D14/155
D595,684 S *	7/2009	Ganley	D14/155
D616,901 S *	6/2010	Ward	D16/208
D641,330 S *	7/2011	DuBois	D14/137
D704,164 S *	5/2014	Green	D14/217
D883,969 S *	5/2020	Nogueira-Nine	D14/242
D931,826 S *	9/2021	Huang	D14/197
D933,050 S *	10/2021	Jia	D14/344
D943,187 S *	2/2022	Liu	D27/172

FOREIGN PATENT DOCUMENTS

CN	202030180078.2	*	10/2020
CN	202130143016.9	*	7/2021

OTHER PUBLICATIONS

[Saramonic Blink500 Pro B2 Mini Dual-Channel], available in Amazon.com, date first available Oct. 20, 2020 [online],[site visited Mar. 10, 2022], Available from the internet URL: https://www.amazon.com/Saramonic-Blink500-Pro-Dual-Channel-Smartphones/dp/B08LGLZTPV/ref=sr_1_1_sspa (Year: 2020).*
[Saramonic Blink 500 Pro System | Advanced Ultra-Compact 2.4 GHz Clip-On Wireless Microphone System], announced in YouTube on Nov. 1, 2020 [online], [site visited Mar. 10, 2022], Available from the internet URL: https://www.youtube.com/watch?v=CkW_V_tFbic&t=27s (Year: 2020).*

* cited by examiner

Primary Examiner — Khawaja Anwar
Assistant Examiner — Megan Tiana Rakos

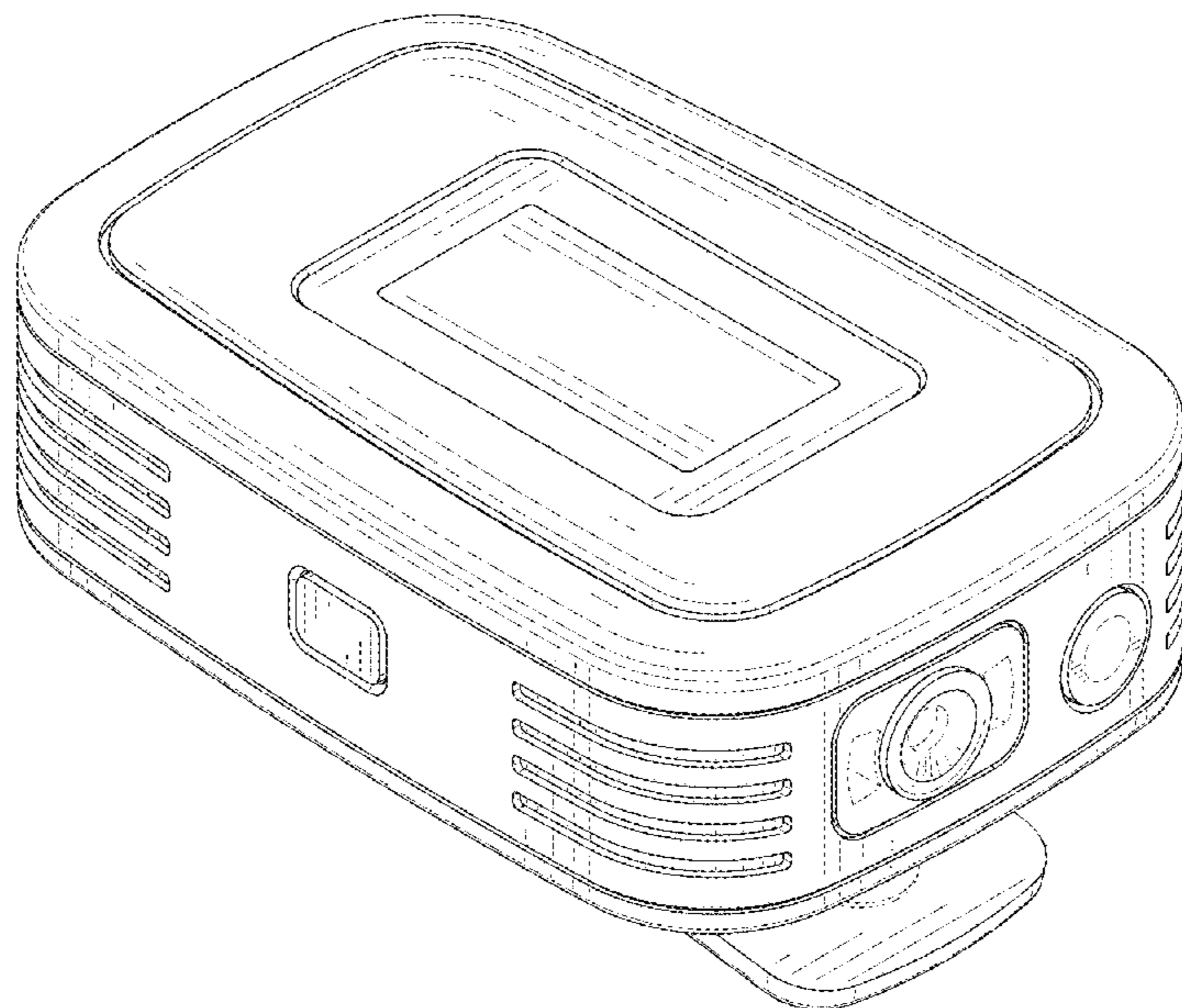
(57) **CLAIM**

The ornamental design for a wireless microphone, as shown and described.

DESCRIPTION

FIG. 1 is a front elevational view of a wireless microphone; showing our new design;
FIG. 2 is a rear elevational view thereof;
FIG. 3 is a left side elevational view thereof;
FIG. 4 is a right side elevational view thereof;
FIG. 5 is a top plan view thereof;
FIG. 5 is a bottom plan view thereof.
FIG. 7 is a front and top perspective view thereof; and,
FIG. 8 is a rear and bottom perspective view thereof.
The broken lines in the figures illustrate portions of the article that form no part of the claimed design.

1 Claim, 8 Drawing Sheets



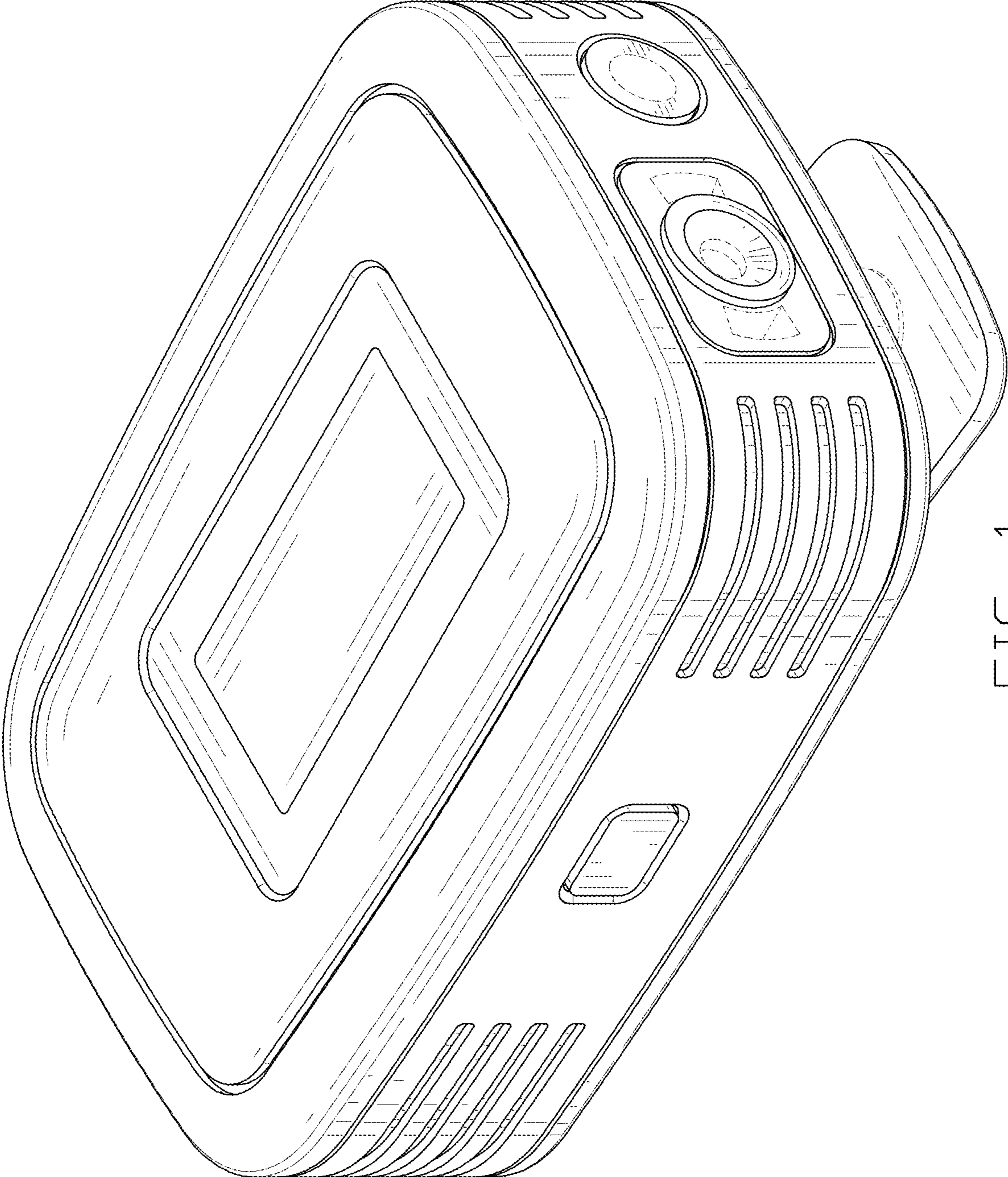


FIG. 1

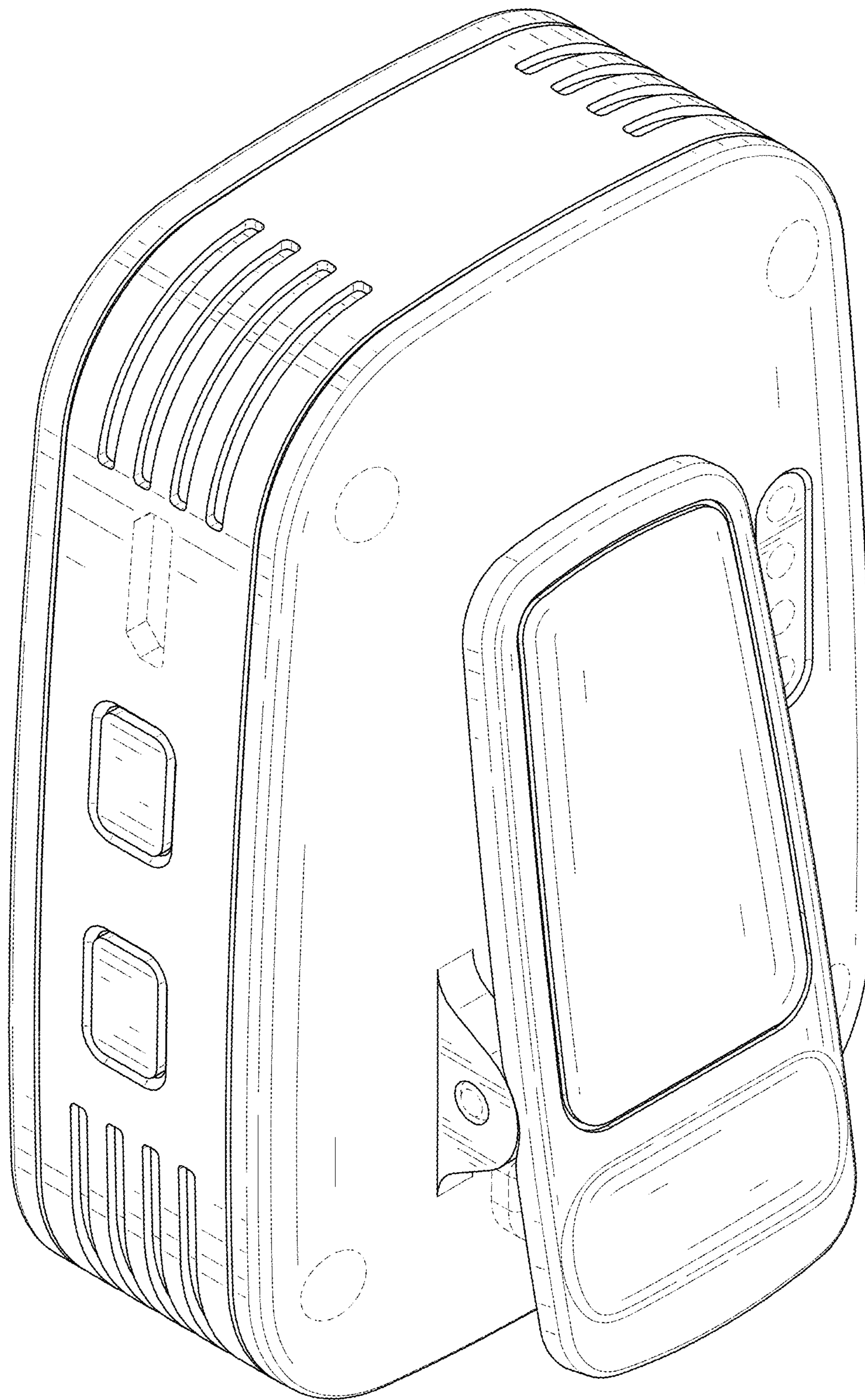


FIG. 2

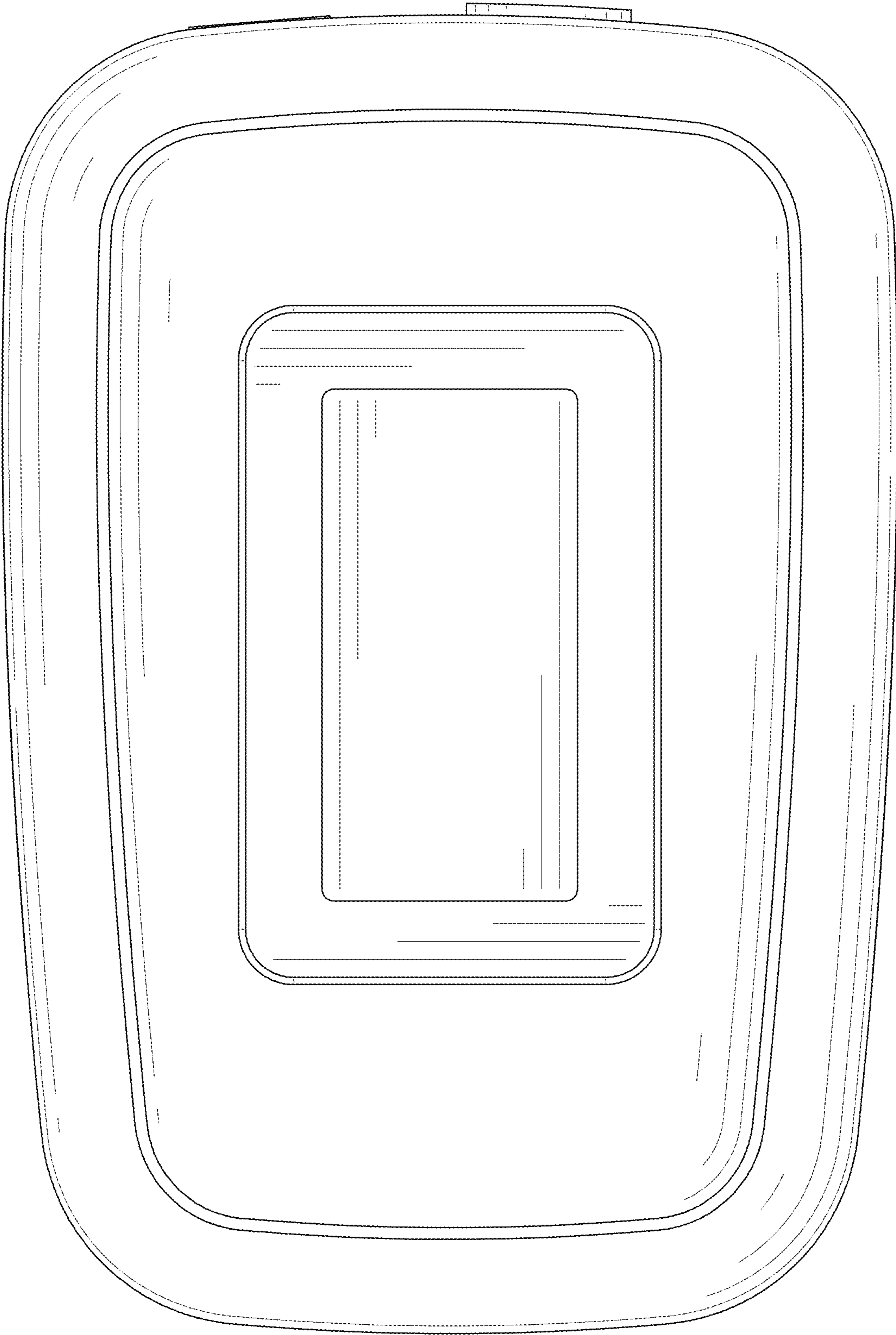


FIG. 3

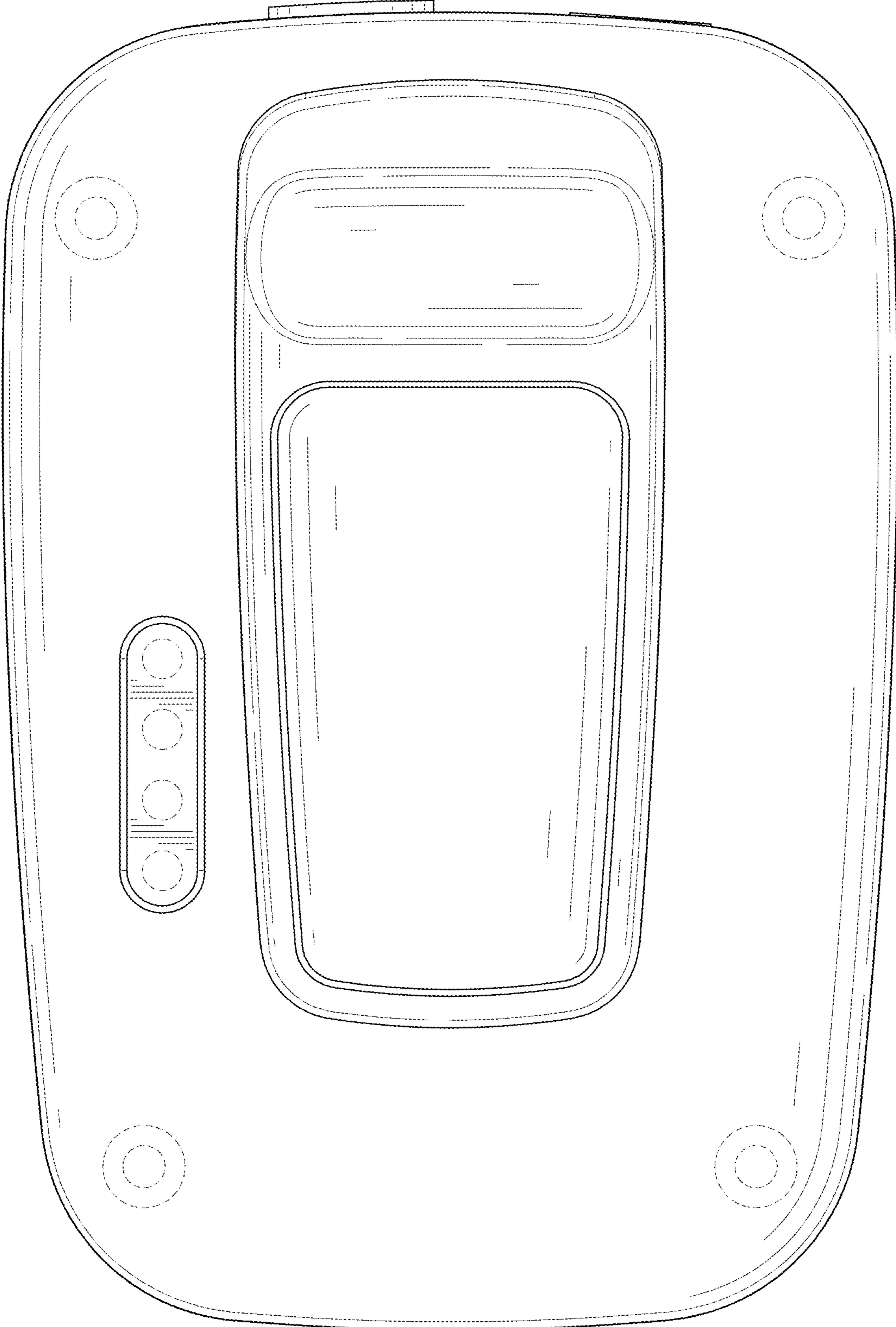


FIG. 4

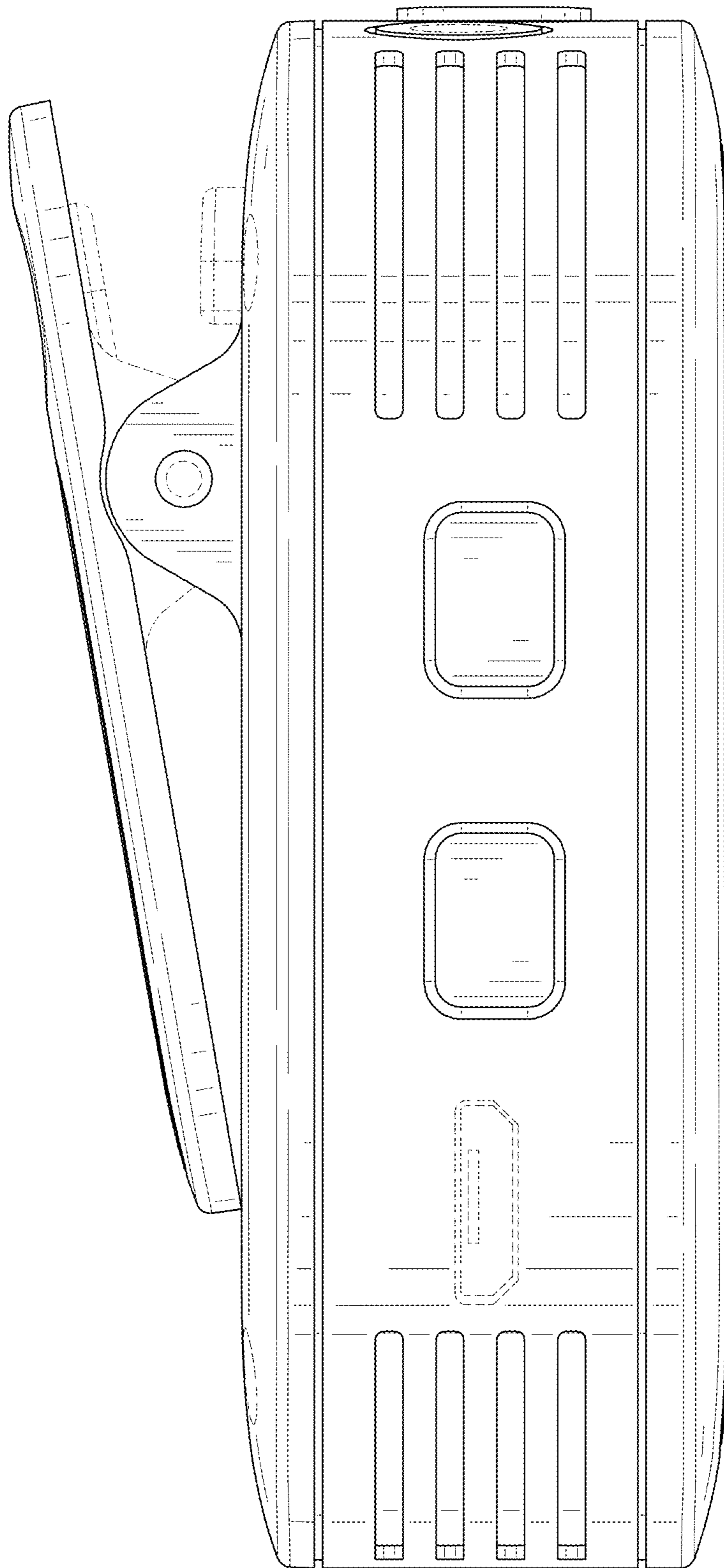


FIG. 5

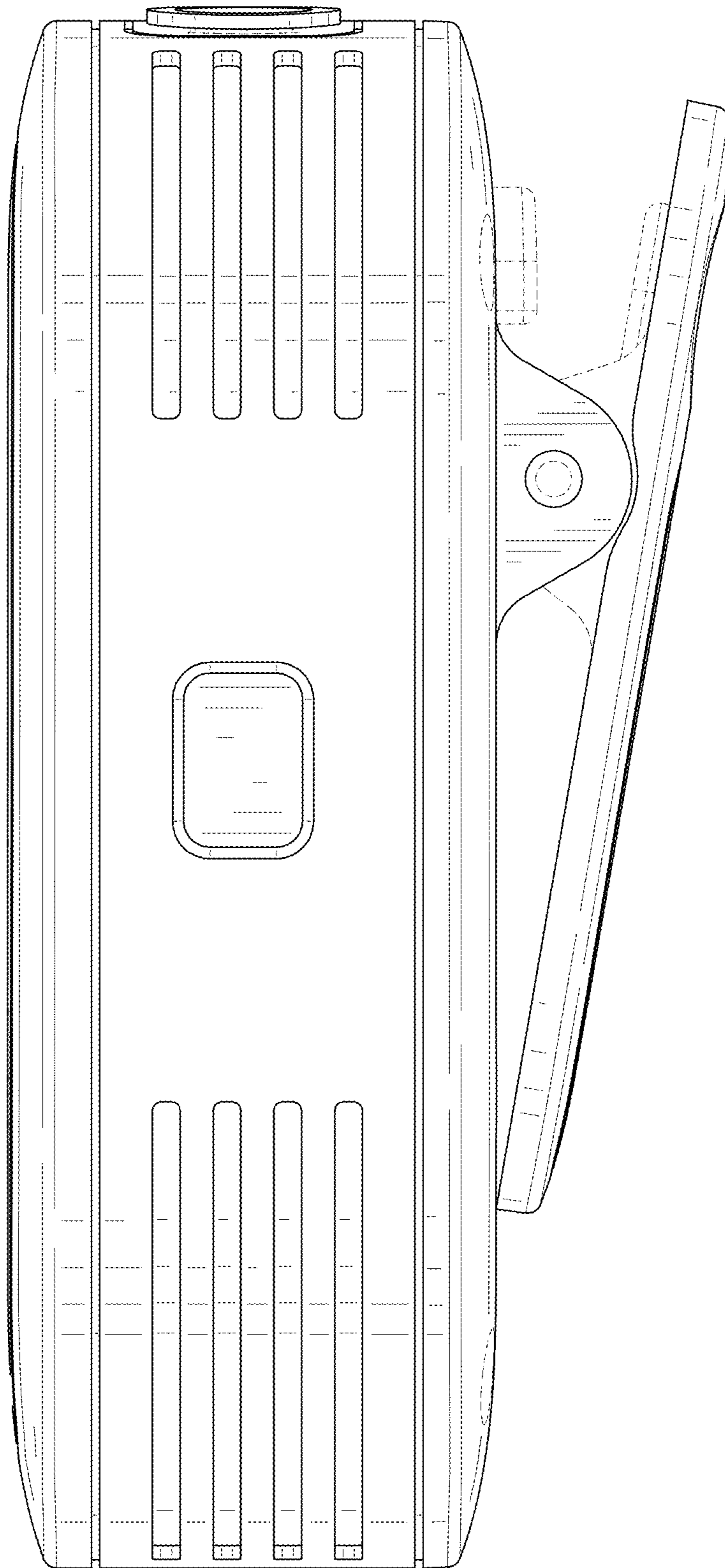


FIG. 6

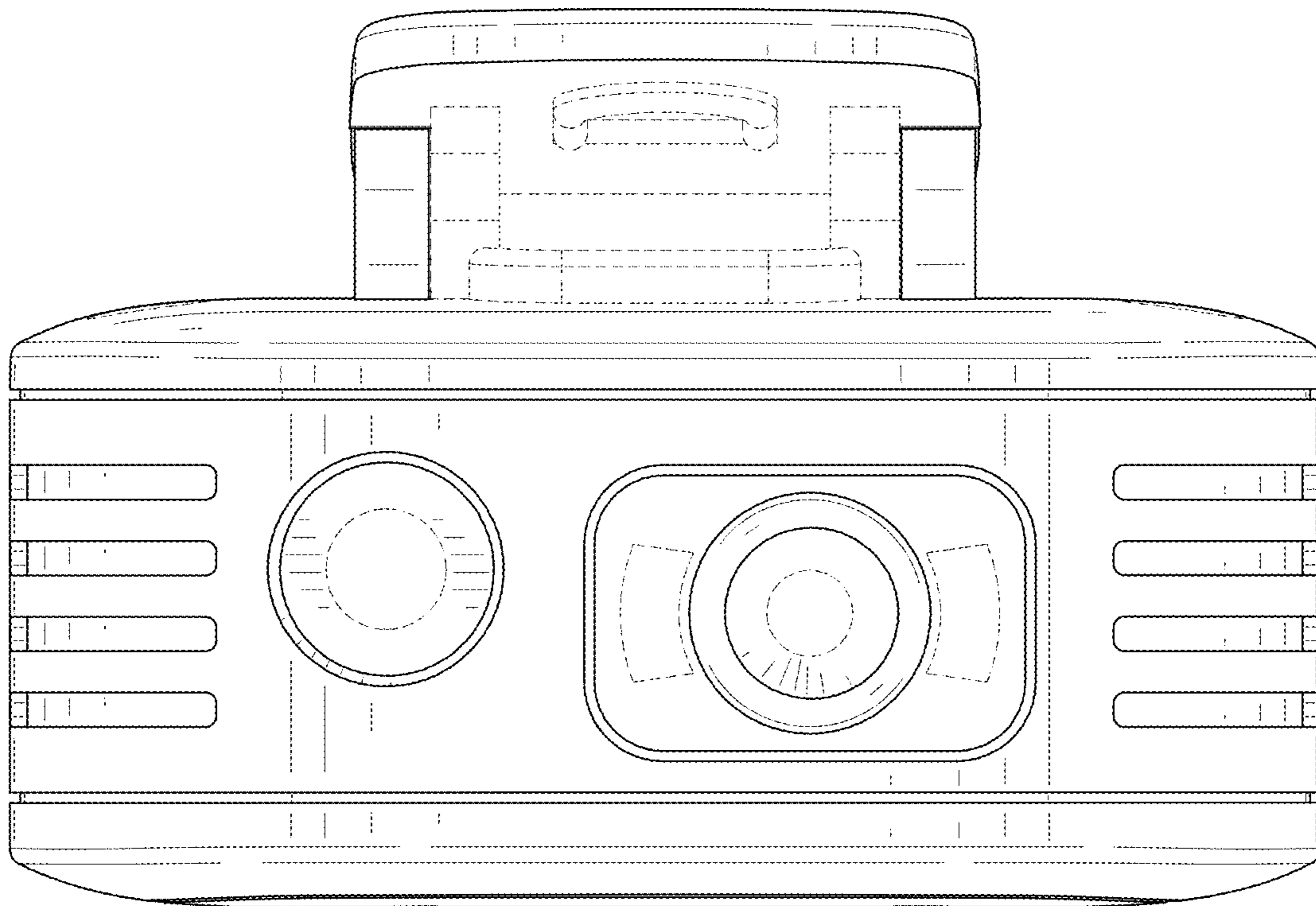


FIG. 7

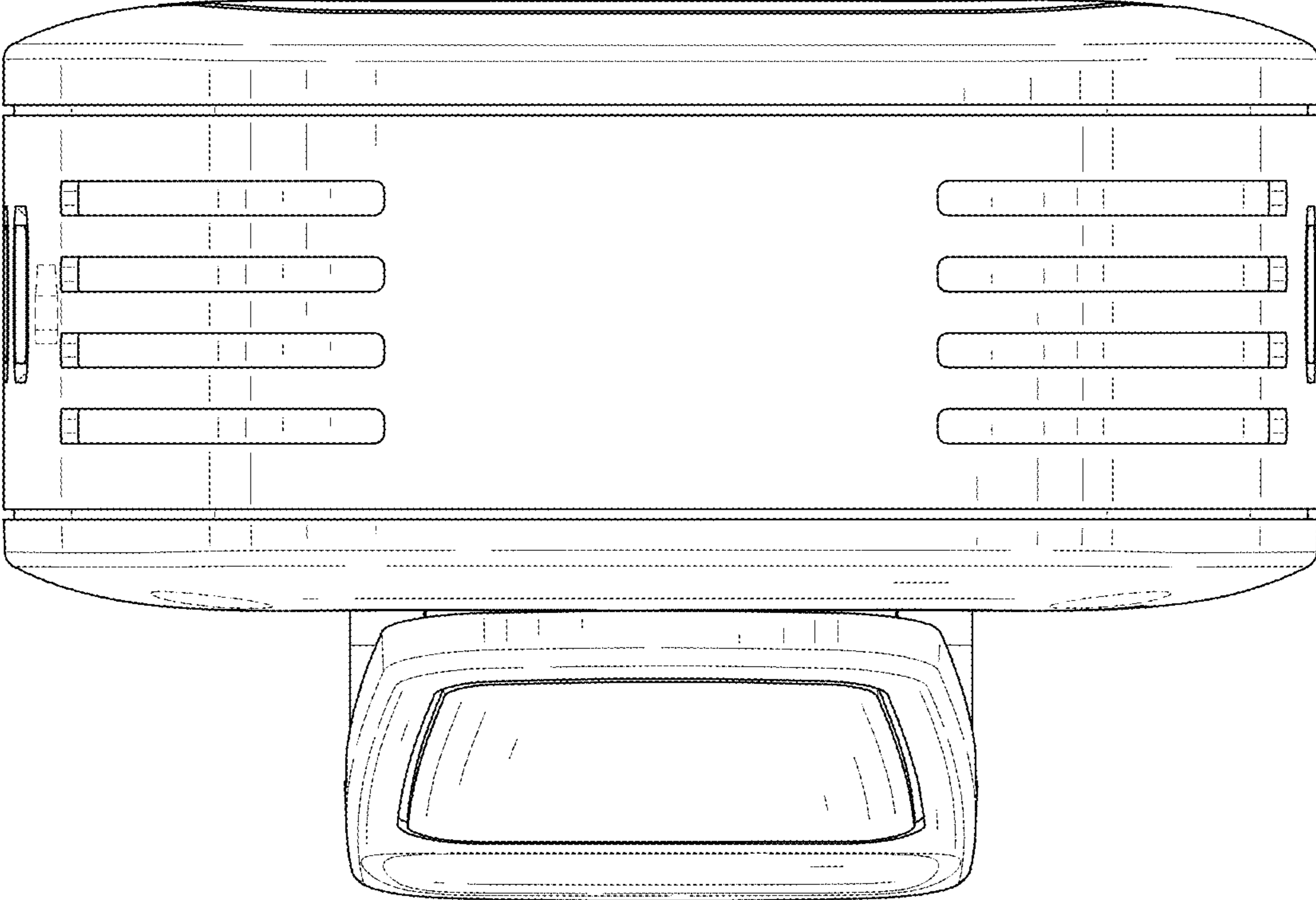


FIG. 8