



US00D956023S

(12) **United States Design Patent**
Deng et al.

(10) **Patent No.:** **US D956,023 S**
(45) **Date of Patent:** **** Jun. 28, 2022**

(54) **WIRELESS MICROPHONE**

(71) Applicant: **Shenzhen Jiayz Photo Industrial, Ltd**, Shenzhen (CN)

(72) Inventors: **Gang Deng**, Shenzhen (CN); **Jinshu Hu**, Shenzhen (CN)

(**) Term: **15 Years**

(21) Appl. No.: **29/739,689**

(22) Filed: **Jun. 29, 2020**

(30) **Foreign Application Priority Data**

Dec. 31, 2019 (CN) 201930746405.3

(51) **LOC (13) Cl.** **14-01**

(52) **U.S. Cl.**
USPC **D14/225**

(58) **Field of Classification Search**
USPC D14/221, 224, 225, 226, 227, 228, 229,
D14/248, 265, 137, 150, 154, 155, 157,
D14/158, 159, 172, 185
CPC H04R 19/04; H04R 19/00; H04R 1/406;
H04R 1/08; H04R 1/04; H04R 1/326;
H04R 29/004; H04R 2410/00; H04R
2410/01; H04R 2410/03; H04R 2410/05;
H04R 2410/07; H04R 2420/07; H04R
17/02

See application file for complete search history.

(56) **References Cited**

U.S. PATENT DOCUMENTS

D242,282 S	*	11/1976	Kawano	D14/137
D302,157 S	*	7/1989	Vories	D14/188
D437,311 S	*	2/2001	Nam	D14/227
D441,744 S	*	5/2001	Miyazaki	D14/137
D496,346 S	*	9/2004	Fuss	D14/188
D540,774 S	*	4/2007	Alwicker	D14/155
D569,358 S	*	5/2008	Devenish, III	D14/137
D587,708 S	*	3/2009	Yoshida	D14/358
D589,490 S	*	3/2009	Thusbass	D14/155
D595,684 S	*	7/2009	Ganley	D14/155

(Continued)

FOREIGN PATENT DOCUMENTS

CN 306098189 * 10/2020
CN 306956152 * 11/2021

(Continued)

OTHER PUBLICATIONS

Shenzhen Jiayz Photo Industrial Dual Wireless Lavalier Microphone System User Manual, announced Jan. 12, 2022 [online], retrieved Mar. 25, 2022, retrieved from internet, https://manuals.plus/shenzhen-jiayz-photo-industrial/sr-wm2100-2-4ghz-dual-wireless-lavalier-microphone-system-manual.*

(Continued)

Primary Examiner — Messina L Smith

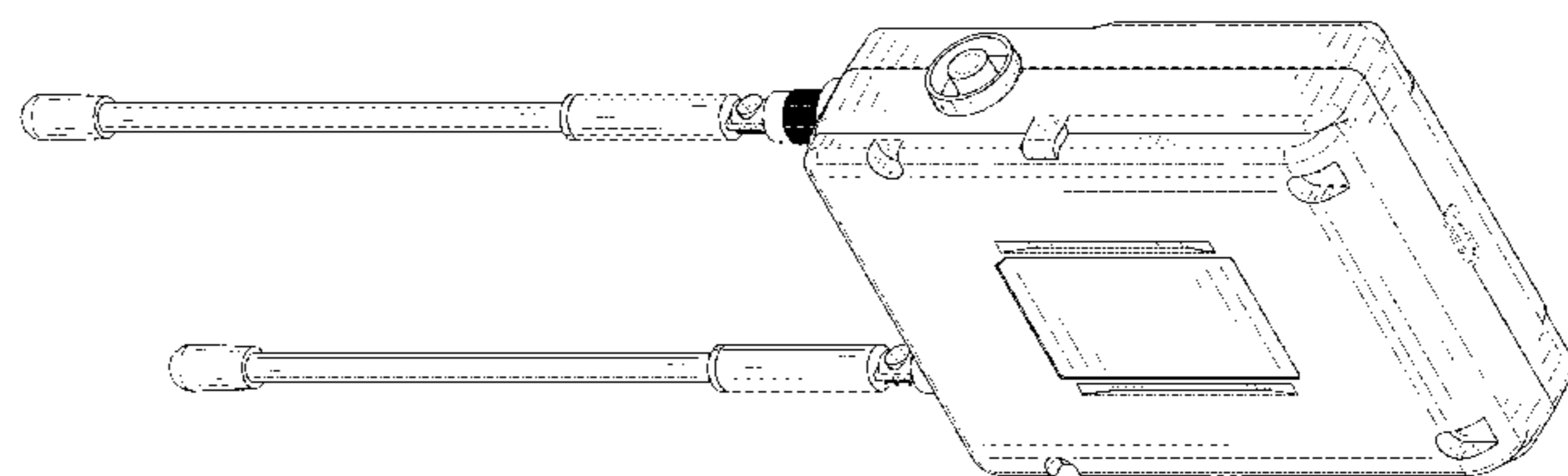
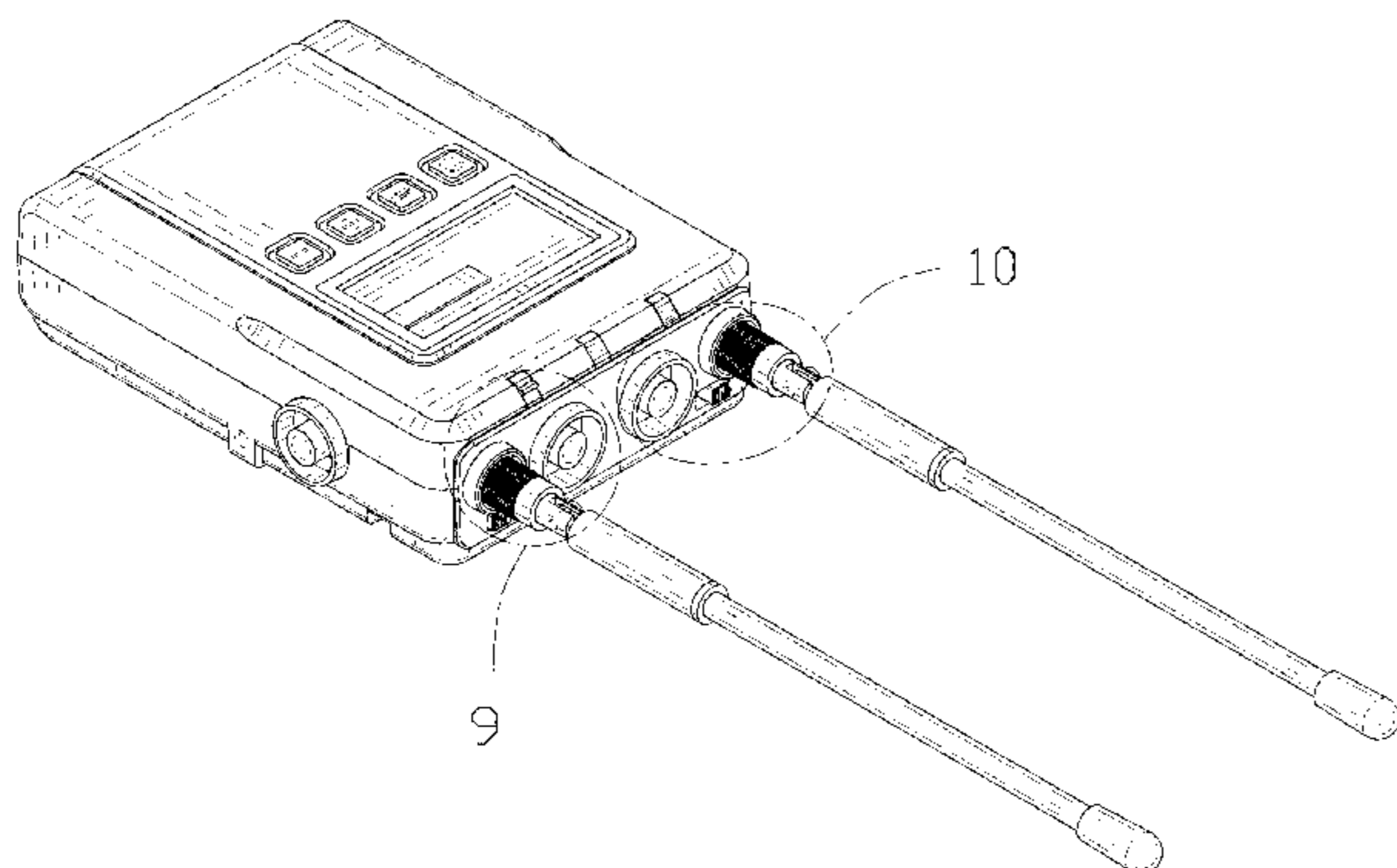
(57) **CLAIM**

The ornamental design for a wireless microphone, as shown and described.

DESCRIPTION

FIG. 1 is a front and top perspective view of a wireless microphone, showing our new design;
FIG. 2 is a rear and bottom perspective view thereof;
FIG. 3 is a front elevational view thereof;
FIG. 4 is a rear elevational view thereof;
FIG. 5 is a left side elevational view thereof;
FIG. 6 is a right side elevational view thereof;
FIG. 7 is a top plan view thereof;
FIG. 8 is a bottom plan view thereof.
FIG. 9 is an enlarged view of a portion indicated with numeric 9 in FIG. 1; and,
FIG. 10 is an enlarged view of a portion indicated with numeric 10 in FIG. 1.
The dashed broken lines in the figures illustrate portions of the wireless microphone that form no part of the claimed design.

1 Claim, 10 Drawing Sheets



(56)

References Cited

U.S. PATENT DOCUMENTS

D926,717 S *	8/2021	Hong	D14/137
D938,928 S *	12/2021	Thompson	D14/137
D940,092 S *	1/2022	Onoue	D14/137
2011/0081030 A1 *	4/2011	Chiang	H04B 1/0475 381/122

FOREIGN PATENT DOCUMENTS

CN	306972447	*	11/2021
CN	307112789	*	2/2022
EM	008652416-0001	*	8/2021
EM	008652416-0002	*	8/2021

OTHER PUBLICATIONS

Wireless Microphone, announced Dec. 6, 2018 [online], retrieved Mar. 25, 2022, retrieved from internet, <https://www.amazon.com/Microphone-PLUS-48-Channel-Professional-Smartphone/dp/B07L62WDH6>.*

Dual Wireless Lavalier Microphone System, announced Sep. 6, 2017 [online], retrieved Mar. 25, 2022, retrieved from internet, <https://www.amazon.com/dp/B075FM4ZYM>.*

Movo WMX-20 48-Channel UHF Wireless Lavalier Microphone System, announced Dec. 4, 2019 [online], retrieved Mar. 25, 2022, retrieved from internet, <https://www.amazon.com/Movo-WMX-20-48-Channel-Microphone-Transmitter/dp/B082BG2F7Q>.*

Sennheiser Wireless Microphone Combination System, announced © 2022 [online], retrieved Mar. 25, 2022, retrieved from internet, https://reverb.com/p/sennheiser-ew-100-eng-g4-camera-mount-combo-wireless-microphone-system-a-band-516-558-mhz?hfid=10646208&utm_source=google&utm_medium=cpc&utm_campaign=12293041867.*

Saramonic UwMic9S Mini UHF Wireless Microphone System User Manual, announced © 2000-2022 [online], retrieved Mar. 25, 2022, retrieved from internet, <https://manuals.plus/saramonic/uwmic9s-mini-uhf-wireless-microphone-system-manual>.*

Shure UR5 Body Pack Wireless Microphone System, announced Jan. 12, 2022 [online], retrieved Mar. 25, 2022, retrieved from internet, https://www.bhphotovideo.com/c/product/826860-REG/Shure_UR5_Body_Pack_Wireless.html.*

UWP-D bodypack and XLR plug-on wireless microphone package, announced © 2004-2022 [online], retrieved Mar. 25, 2022, retrieved from internet, https://pro.sony/en_CZ/products/broadcastaudiouwpdseriesmicpackages/uwp-d16.*

Bosch Wireless Belt Pack Mic, announced © 1996-2022 [online], retrieved Mar. 25, 2022, retrieved from internet, <https://www.indiamart.com/proddetail/bosch-wireless-belt-pack-mic-13804772748.html>.*

Wireless Microphone System, announced © 2022 [online], retrieved Mar. 25, 2022, retrieved from internet, <https://www.u-buy.com.tw/en/product/1R3T38KS-wireless-microphone-system-pro-audio-uhf-4-channel-2-handheld-mic-2-headset-2-lapel-mic-2-bodypack-n>.*

* cited by examiner

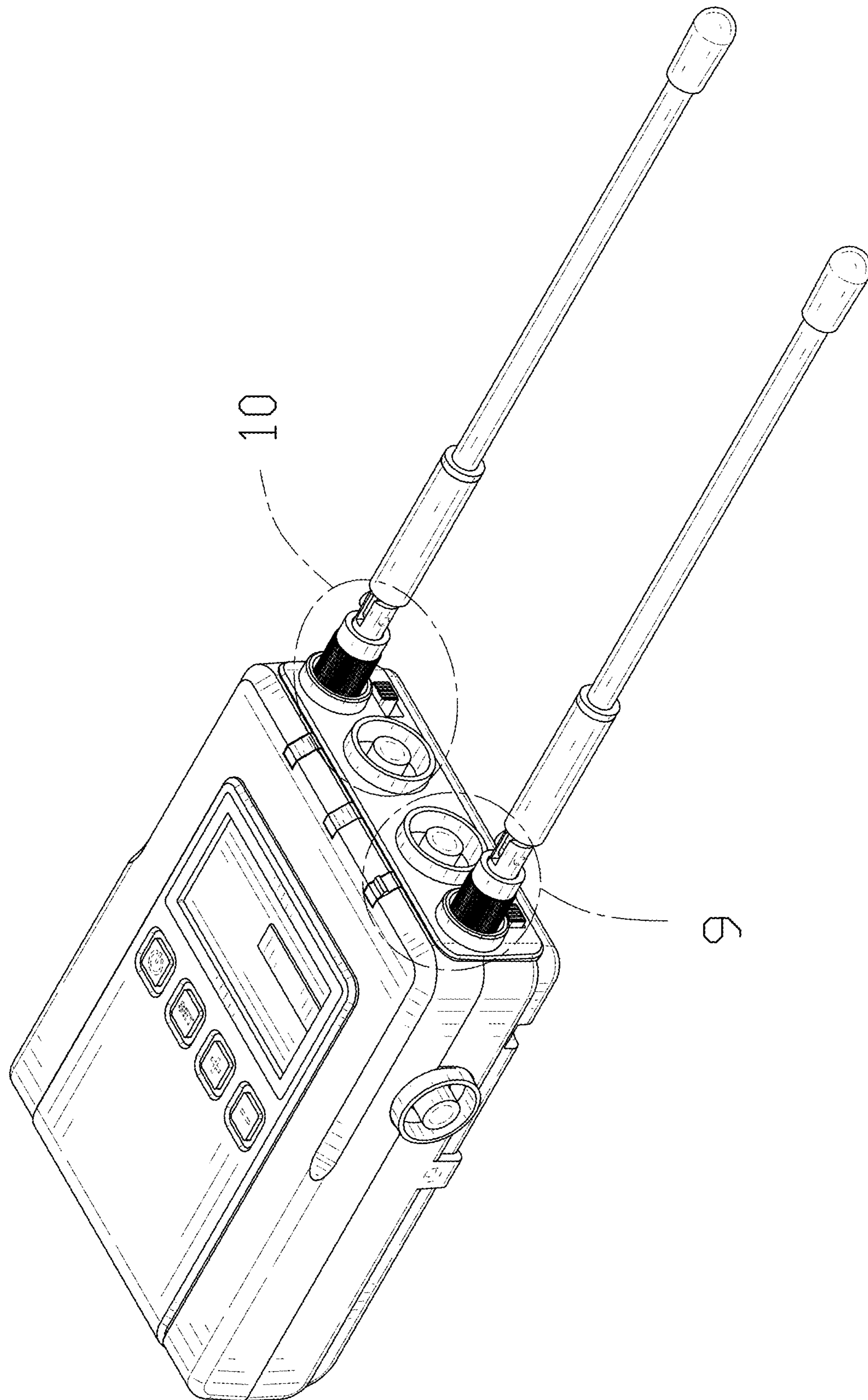


FIG. 1

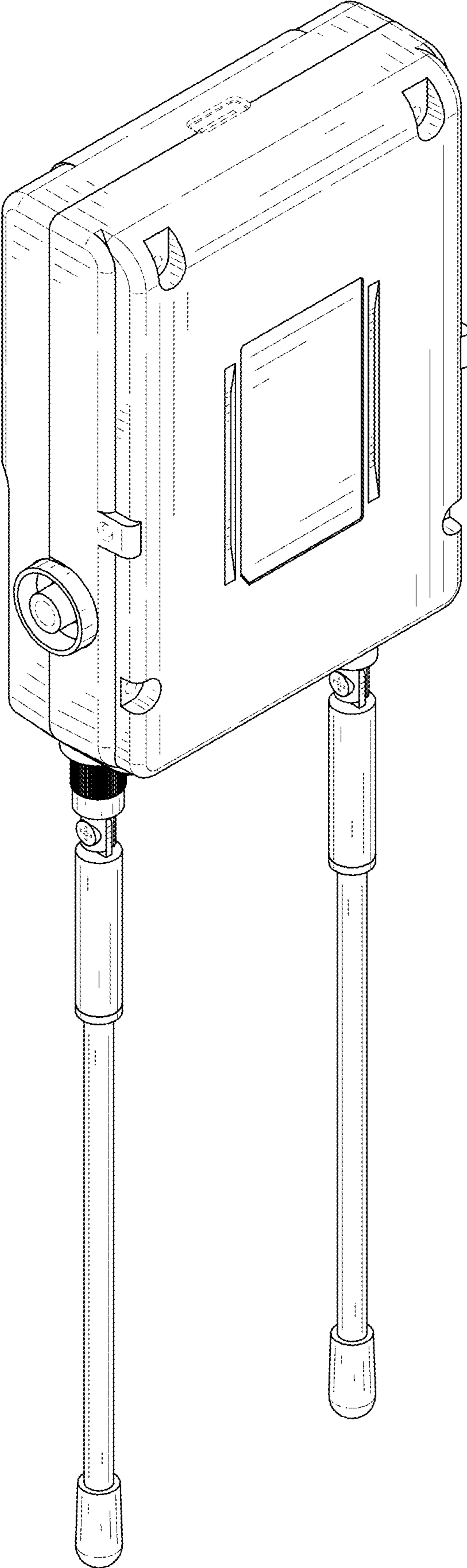


FIG. 2

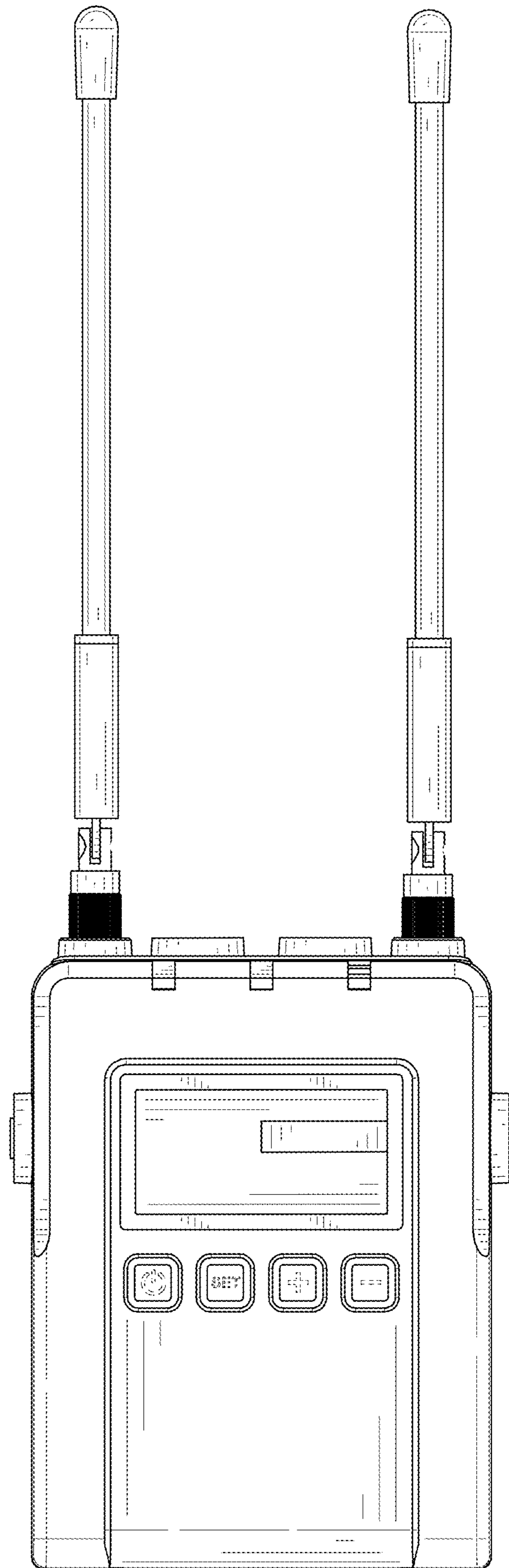


FIG. 3

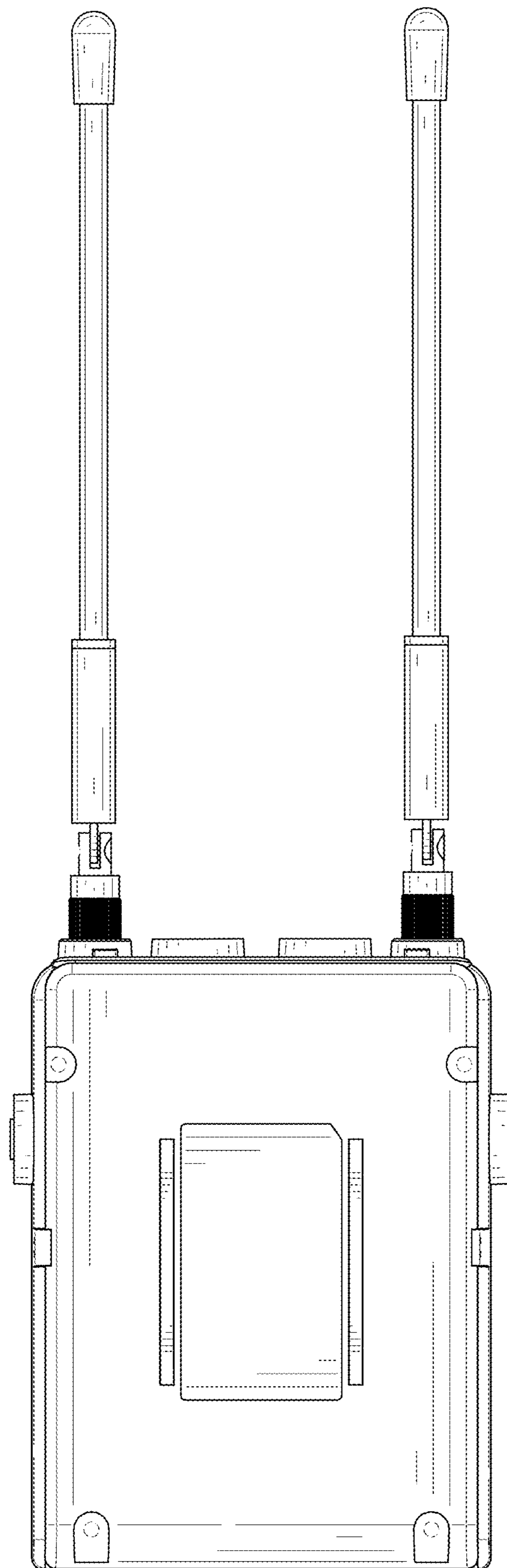


FIG. 4

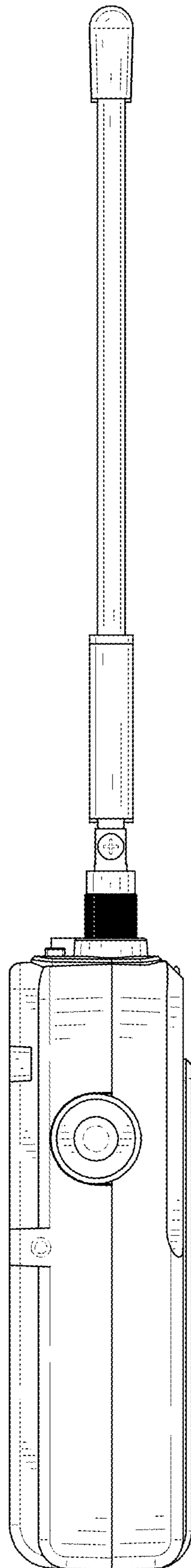


FIG. 5

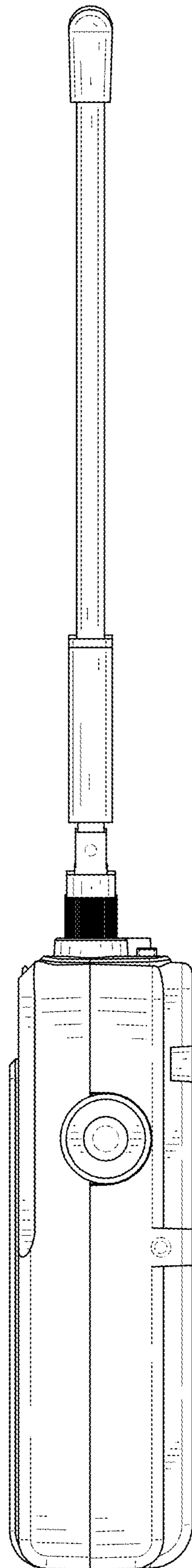


FIG. 6

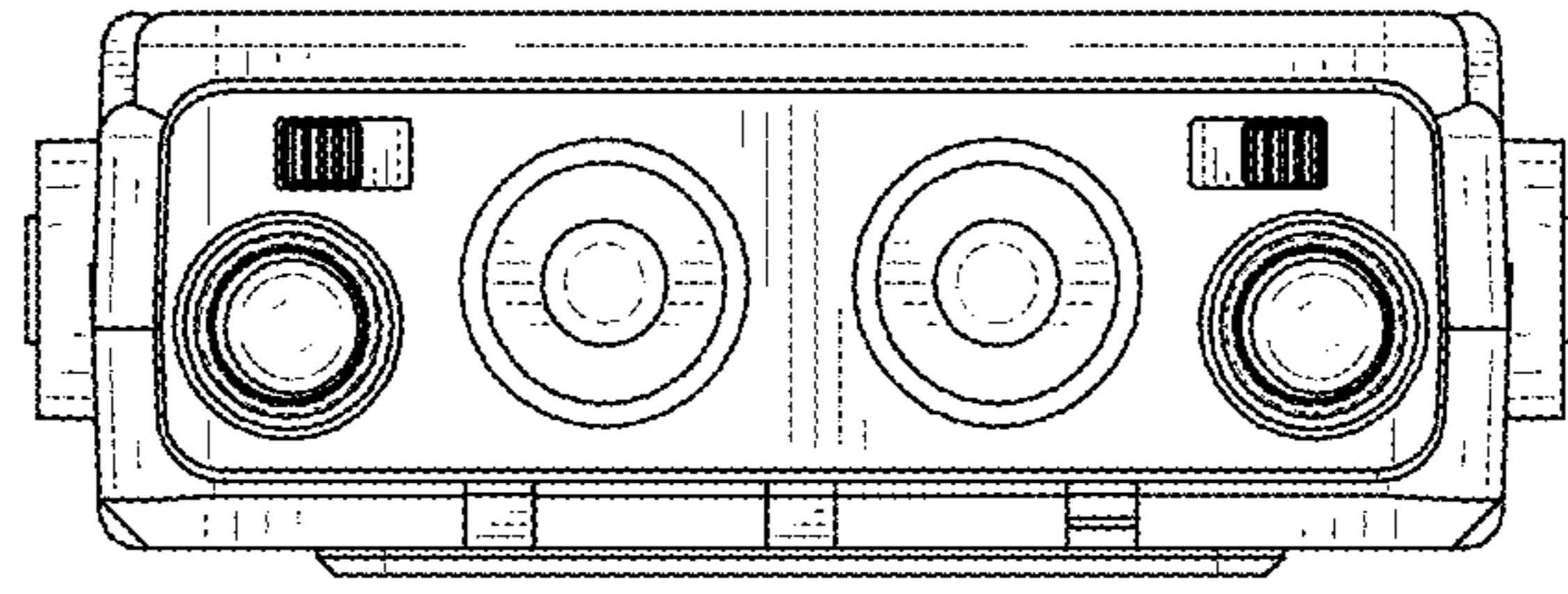


FIG. 7

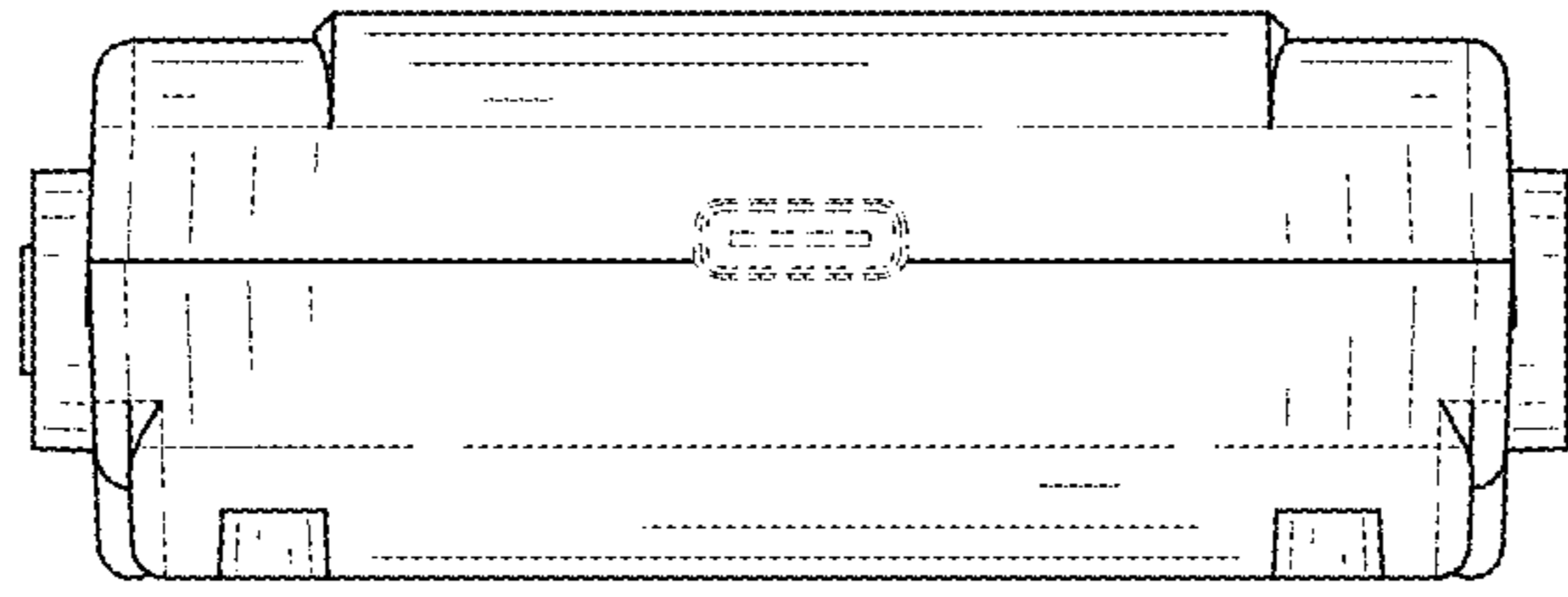


FIG. 8

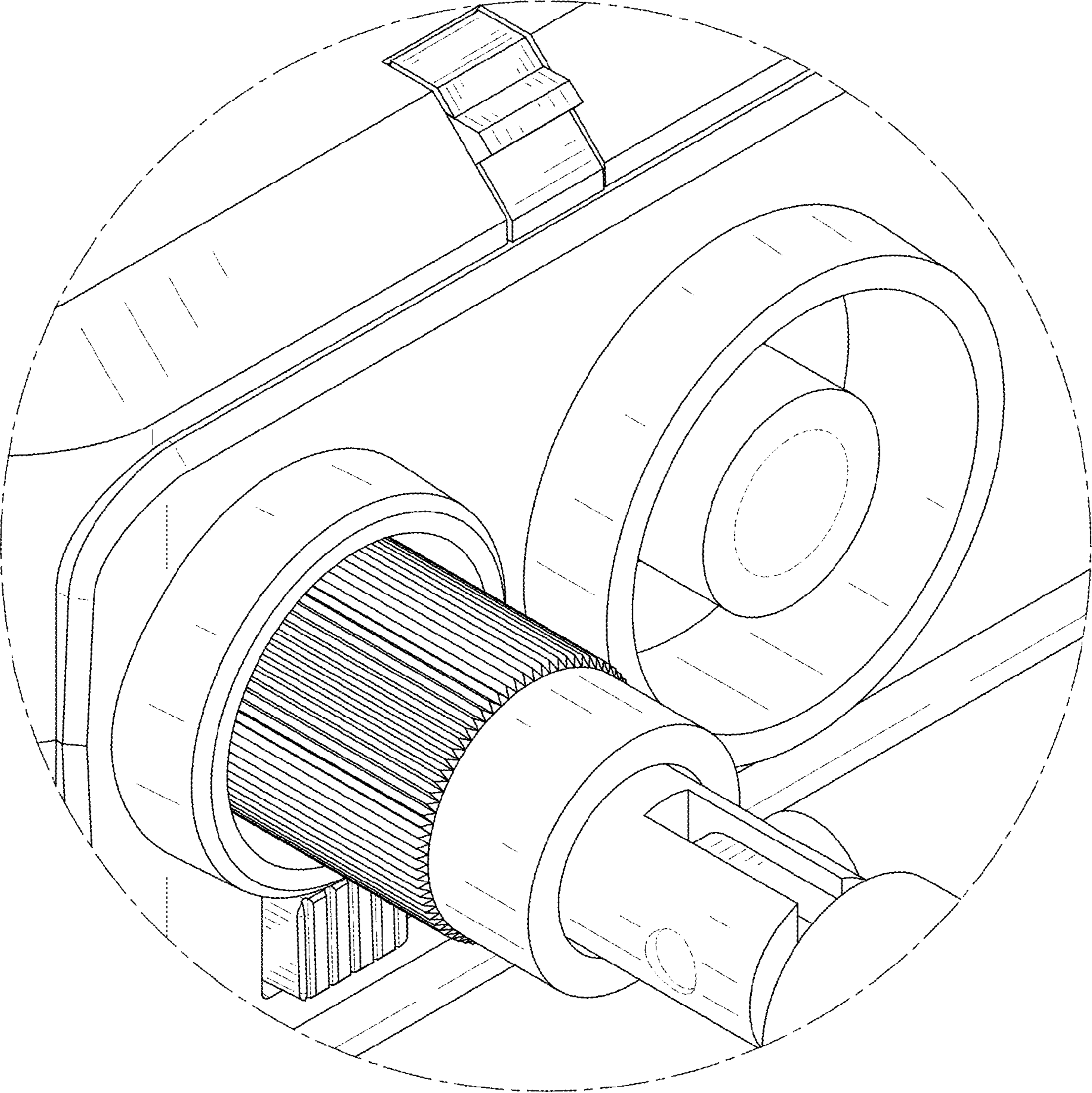


FIG. 9

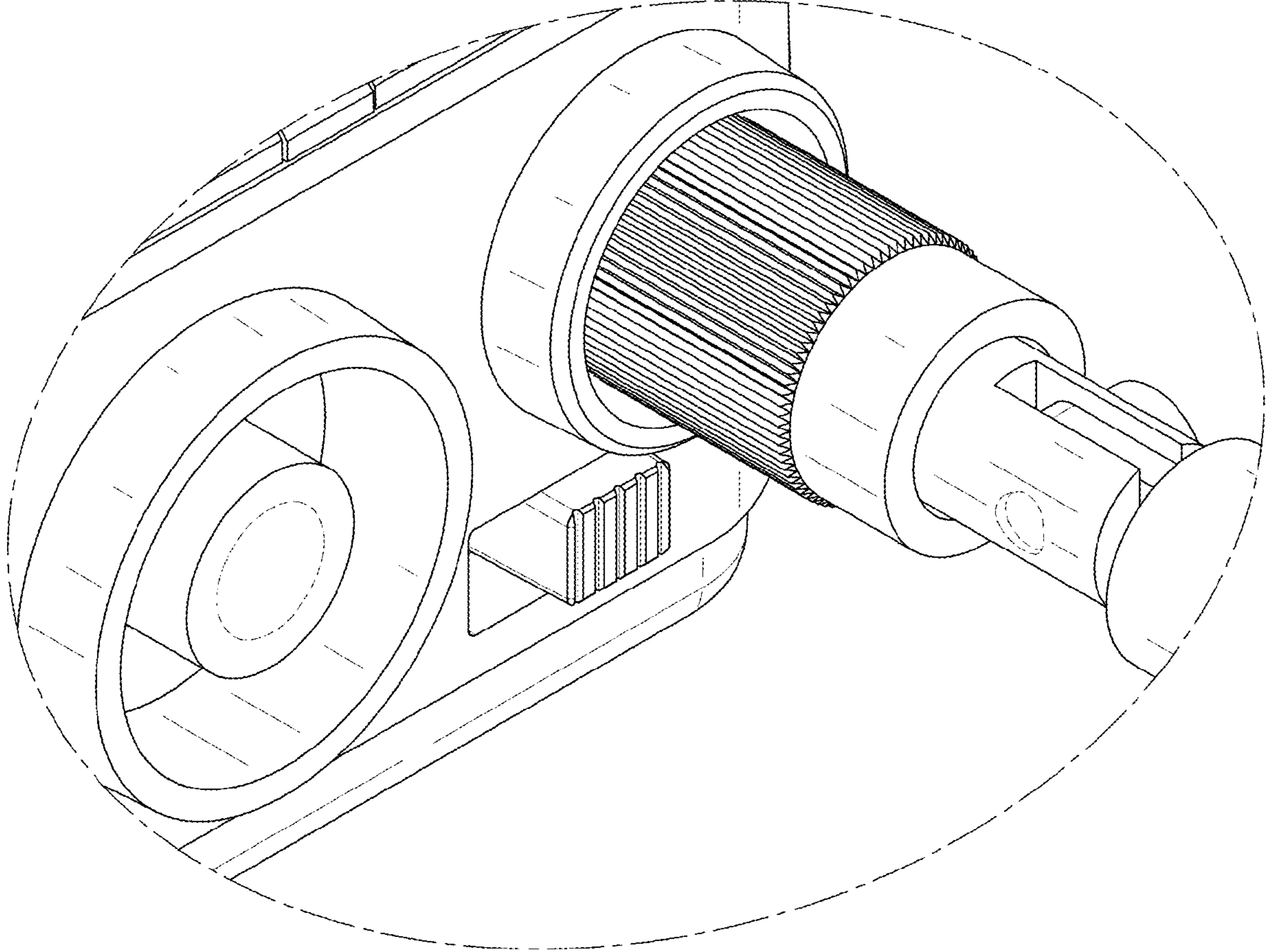


FIG. 10