



US00D956022S

(12) **United States Design Patent**
Turksu et al.

(10) **Patent No.: US D956,022 S**
(45) **Date of Patent: ** *Jun. 28, 2022**

- (54) **HEADPHONE STAND WITH CHARGER**
- (71) Applicant: **SARIANA, LLC**, San Diego, CA (US)
- (72) Inventors: **Alan Turksu**, San Diego, CA (US);
Mustafa Burak Guclu, San Diego, CA (US)
- (73) Assignee: **Sariana, LLC**, San Diego, CA (US)
- (*) Notice: This patent is subject to a terminal disclaimer.

D147,151 S	7/1947	Schinske	
2,436,292 A	2/1948	De Mott	
2,459,785 A *	1/1949	Allerton F16B 7/1427 248/412
2,629,023 A	2/1953	La Fitte	
2,772,056 A *	11/1956	Geisinger B65H 75/4473 242/405.1
2,878,324 A	3/1959	Guerrero	
2,987,585 A	6/1961	Abysalh	
3,071,253 A *	1/1963	Walsh A47G 25/0664 211/204
3,076,557 A *	2/1963	Husted A45F 3/44 211/196

(Continued)

- (**) Term: **15 Years**
- (21) Appl. No.: **29/768,277**
- (22) Filed: **Jan. 28, 2021**
- (51) **LOC (13) Cl.** **14-01**
- (52) **U.S. Cl.**
USPC **D14/224**
- (58) **Field of Classification Search**
USPC D14/224, 205, 223, 452, 451, 336;
D6/681.1, 681.2, 672, 683, 682; D20/19,
D20/41; 248/240.1, 183.2, 418, 181.1,
248/371, 920, 278.1, 183.1; 379/454;
455/90.3, 575.1, 569.1
CPC H04R 25/00; H04R 1/1025; H04R 1/105;
H04R 1/10; H04R 3/00; H04R 1/1091;
A47K 5/04
See application file for complete search history.

FOREIGN PATENT DOCUMENTS

TW 214909-0001 * 9/2020

Primary Examiner — Paula Allen Greene

(74) *Attorney, Agent, or Firm* — Wagenknecht IP Law Group PC

(57) **CLAIM**

The ornamental design for a headphone stand with charger, as shown and described.

DESCRIPTION

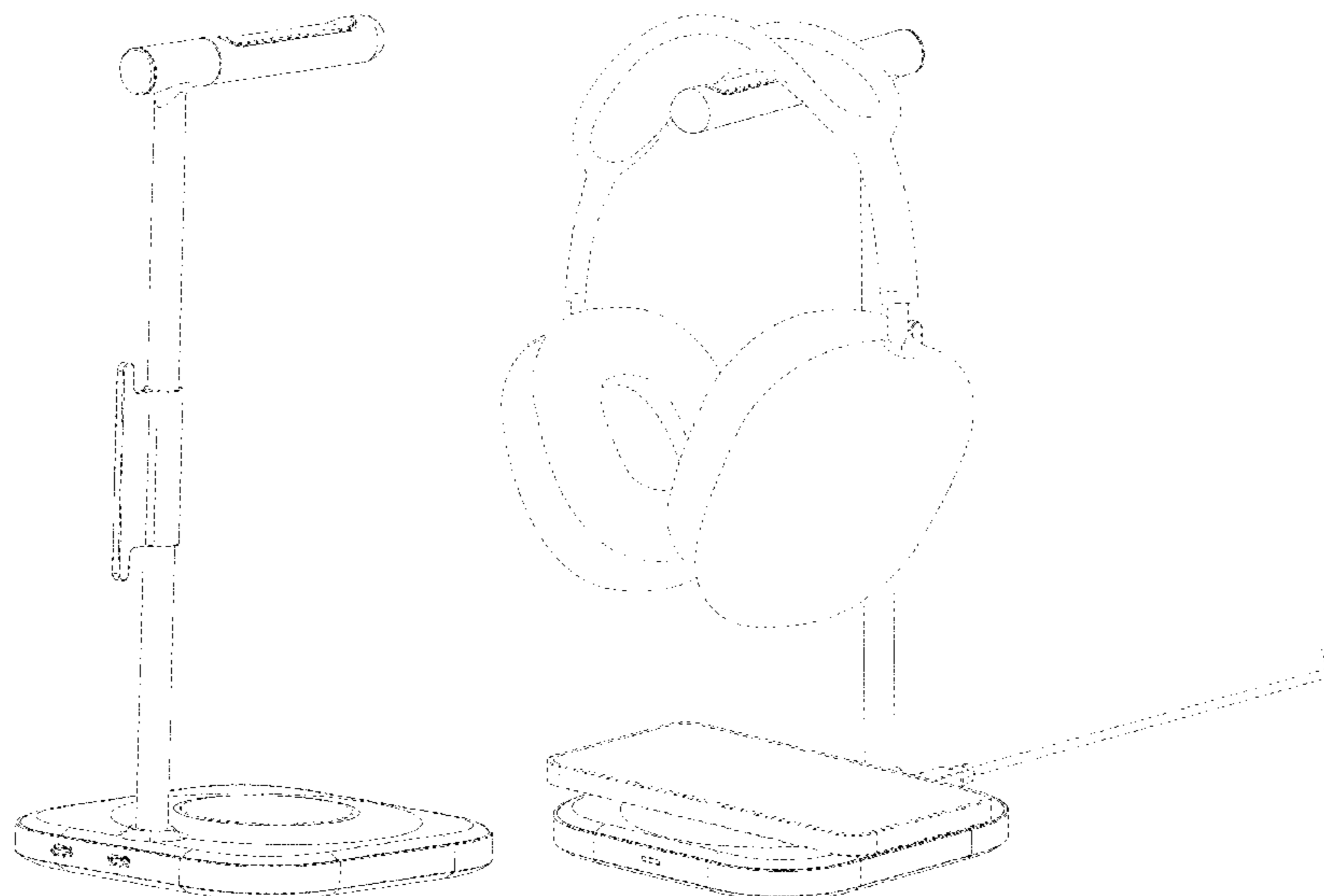
FIG. 1 is a top, front, and left perspective view of a headphone stand with charger showing our new design; FIG. 2 is a top, rear, and right perspective view thereof; FIG. 3 is a front elevational view thereof; FIG. 4 is a rear elevational view thereof; FIG. 5 is a left side elevational view thereof; FIG. 6 is a right side elevational view thereof; FIG. 7 is a top plan view thereof; FIG. 8 is a bottom plan view thereof; and, FIG. 9 is a top, front, and left perspective view thereof, showing the headphone stand with charger in use. The broken lines in the figures represent portions of the headphone stand with charger and the headphone and cell phone in FIG. 9, that form no part of the claimed design.

1 Claim, 9 Drawing Sheets

(56) **References Cited**

U.S. PATENT DOCUMENTS

1,165,840 A	12/1915	Brutus	
1,550,588 A	8/1922	Soldani	
1,646,562 A	8/1923	Snow	
1,475,605 A	11/1923	Smith	
1,671,862 A	5/1928	Heinz	
D131,623 S *	3/1942	Tachberry D6/681.1
D136,783 S *	12/1943	Le Veck D8/358
D137,618 S	4/1944	Rolfes	



(56)

References Cited

U.S. PATENT DOCUMENTS

3,224,644 A 12/1965 Davis
 3,313,425 A * 4/1967 Injeski A47G 25/0664
 211/204
 3,454,252 A * 7/1969 Pearson E04H 12/00
 248/511
 3,693,923 A * 9/1972 Ayoub A47K 5/04
 248/690
 3,695,568 A 10/1972 Hogrebe
 D227,117 S 6/1973 Bieger
 D230,014 S 1/1974 Edgell, Sr.
 4,060,697 A 11/1977 Neal
 4,285,477 A * 8/1981 Oxendahl B65H 75/406
 242/405.2
 4,527,018 A 7/1985 Offredi
 D286,636 S 11/1986 Cooke et al.
 D308,870 S 6/1990 Rioux, Jr.
 4,977,489 A * 12/1990 Fung F21L 4/025
 362/184
 D320,992 S 10/1991 Jondelius
 D323,753 S * 2/1992 Johnston D11/131
 5,095,382 A 3/1992 Abe
 D325,578 S 4/1992 Daido et al.
 D326,969 S * 6/1992 Eason D14/224
 D342,549 S * 12/1993 Hofman D20/41
 D350,620 S * 9/1994 Yuen D26/65
 5,367,570 A 11/1994 Figueroa
 D355,913 S 2/1995 Chong
 D357,016 S 4/1995 Li et al.
 D357,248 S 4/1995 Cheng
 D358,506 S * 5/1995 Lara D12/406
 5,601,193 A * 2/1997 Santoya G09F 1/103
 211/11
 D387,784 S 12/1997 Nakamura
 5,715,321 A * 2/1998 Andrea H04R 1/1083
 381/92
 D409,018 S * 5/1999 Deuschle D14/253
 D415,494 S * 10/1999 Curina D14/211
 5,984,224 A * 11/1999 Yang B65H 75/4473
 242/400.1
 D433,005 S 10/2000 McGugan
 D458,770 S * 6/2002 Walter D6/681.1
 D461,794 S 8/2002 Polito et al.
 6,612,534 B2 9/2003 Hennessey
 D482,674 S 11/2003 Rath et al.
 D488,803 S * 4/2004 Chin D14/211
 D496,029 S 9/2004 Skulley et al.
 7,048,222 B1 * 5/2006 Curtiss B65H 75/4476
 191/12.2 R
 D553,106 S 10/2007 Griffin
 D564,501 S 3/2008 Rath
 D593,103 S 5/2009 Richter et al.
 D593,998 S 6/2009 Bentley et al.
 D595,697 S 7/2009 Mao et al.

D598,217 S * 8/2009 Bode D6/681.2
 D599,331 S 9/2009 Bentley et al.
 D600,925 S 9/2009 Guffey et al.
 D602,008 S 10/2009 Bentley et al.
 D602,917 S 10/2009 Bentley
 7,845,612 B2 * 12/2010 Mase H05K 5/0204
 248/455
 D645,027 S 9/2011 Gougherty et al.
 D662,089 S 6/2012 Gougherty et al.
 D669,888 S 10/2012 Gougherty et al.
 D684,145 S 6/2013 Rath
 D685,806 S 7/2013 Kim et al.
 8,838,029 B2 9/2014 Goldman et al.
 9,004,357 B2 * 4/2015 Jackson H04R 1/1033
 235/383
 D737,606 S * 9/2015 King D6/682
 D743,371 S * 11/2015 Nardin D14/209.1
 D760,647 S * 7/2016 Chen D13/103
 D765,623 S 9/2016 Yang et al.
 D780,490 S * 3/2017 James D6/682
 D783,000 S * 4/2017 Koo D14/209.1
 D785,380 S * 5/2017 King D6/681
 D788,080 S * 5/2017 Turksu D14/224
 D793,996 S * 8/2017 Katz D14/224
 D813,850 S * 3/2018 Young, III D14/224
 D818,434 S * 5/2018 Doiron D13/108
 9,973,844 B1 * 5/2018 Young H04R 1/1091
 D821,787 S * 7/2018 Wang D6/682
 D850,421 S * 6/2019 Tong D14/224
 D852,738 S * 7/2019 Backett D13/108
 D860,694 S * 9/2019 Wilke D6/680.2
 10,425,715 B2 * 9/2019 Green H04R 1/1025
 D865,667 S * 11/2019 Roberts D13/108
 D866,553 S * 11/2019 Miura D14/388
 D868,753 S * 12/2019 Kolton D14/224
 D871,892 S * 1/2020 Erickson D8/349
 D872,725 S * 1/2020 Lindof D14/253
 D879,075 S * 3/2020 Xu D14/224
 D884,623 S * 5/2020 Zheng D13/108
 D890,327 S * 7/2020 Gao D23/403
 D907,013 S * 1/2021 Lu D14/224
 D911,955 S * 3/2021 Turksu D13/108
 D916,686 S * 4/2021 Xie D14/224
 D922,361 S * 6/2021 Jin D14/224
 D936,572 S * 11/2021 Turksu D13/108
 2002/0003875 A1 1/2002 Stewart et al.
 2003/0213761 A1 * 11/2003 Sparkowski A47F 13/085
 211/85.3
 2005/0103957 A1 * 5/2005 Chang F16M 11/22
 248/127
 2013/0223640 A1 * 8/2013 Urano H04R 3/00
 381/74
 2016/0066076 A1 * 3/2016 Schatt H04R 1/1033
 24/122.3
 2017/0251293 A1 * 8/2017 Green H02J 7/0045
 2019/0222916 A1 * 7/2019 Kim H04R 1/1025

* cited by examiner

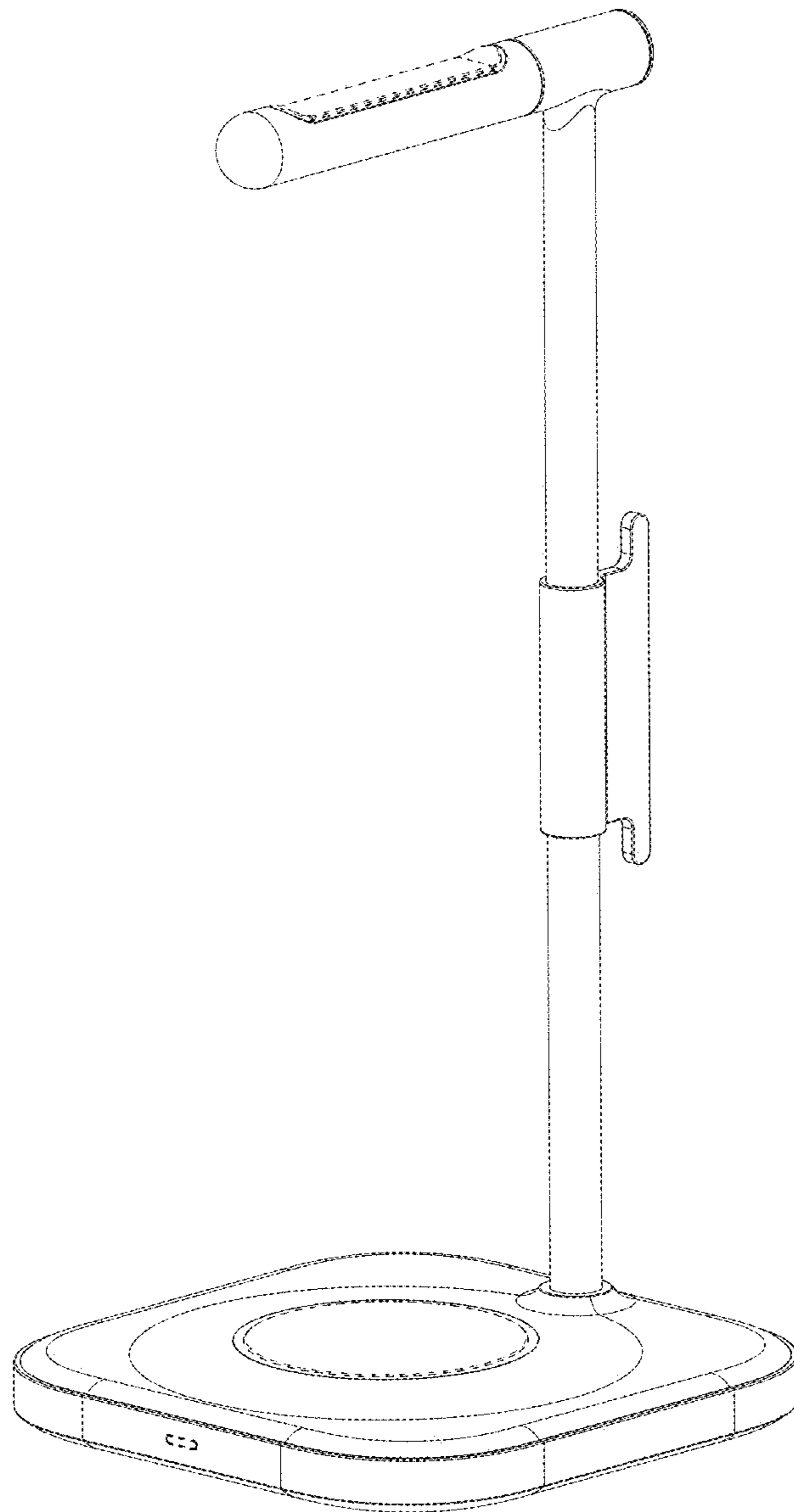


FIG. 1

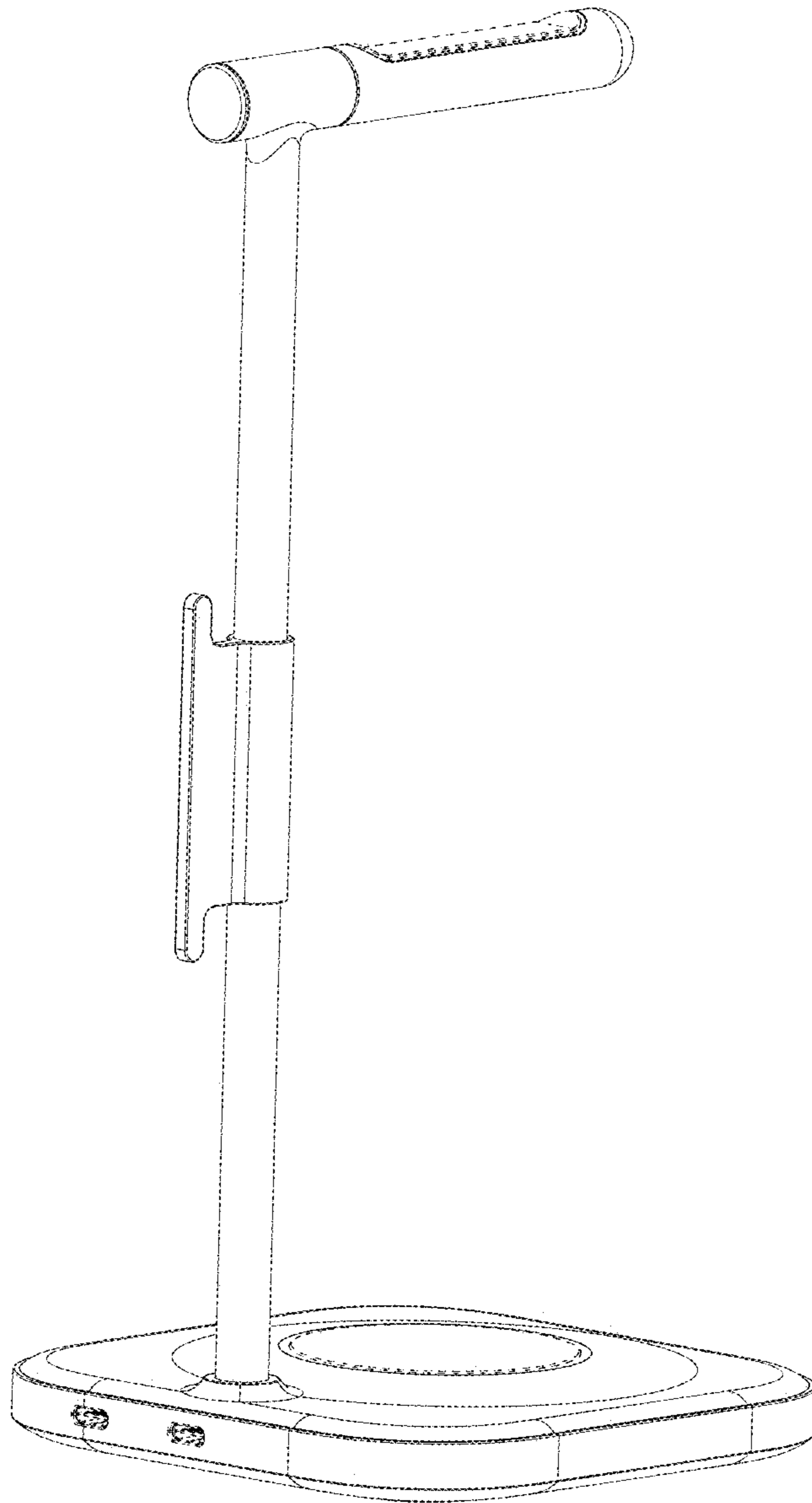


FIG. 2

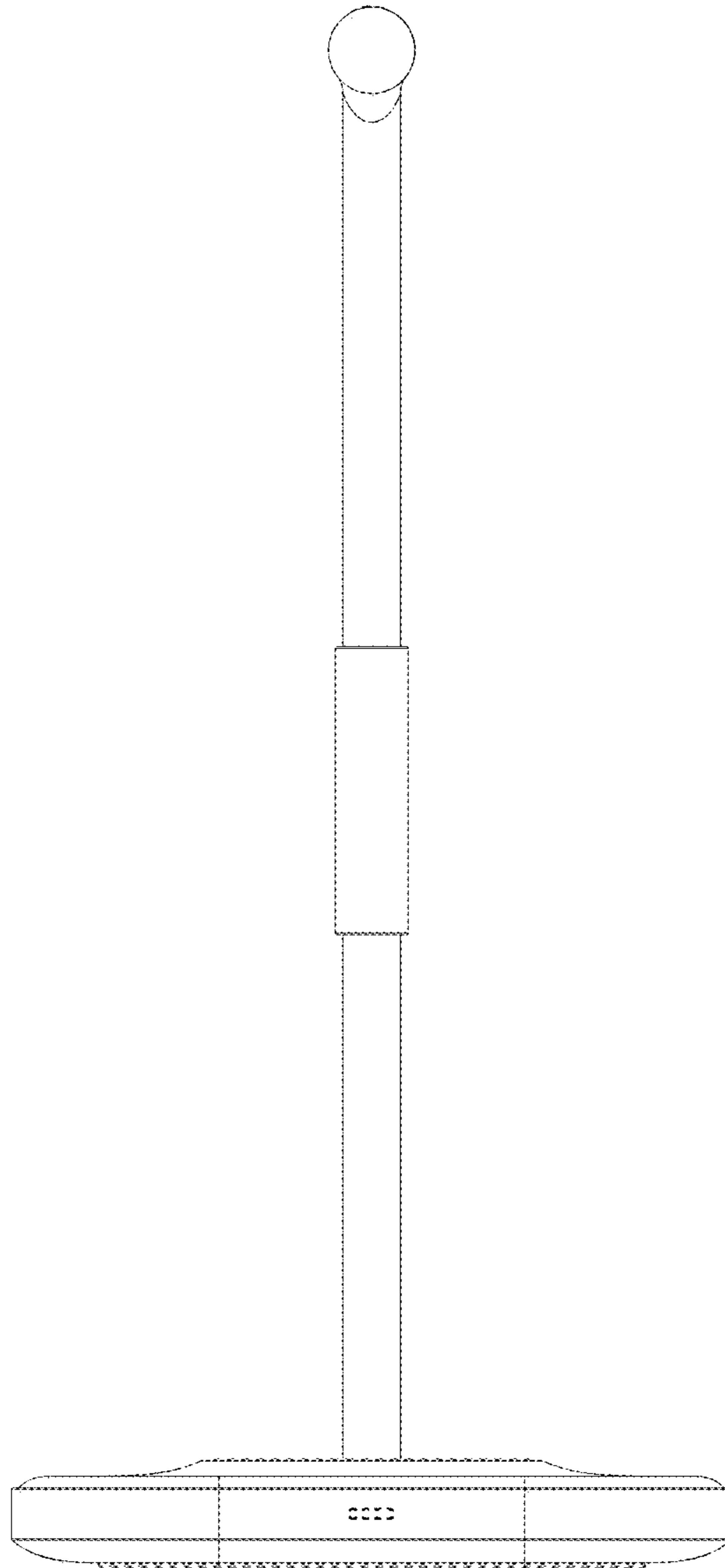


FIG. 3

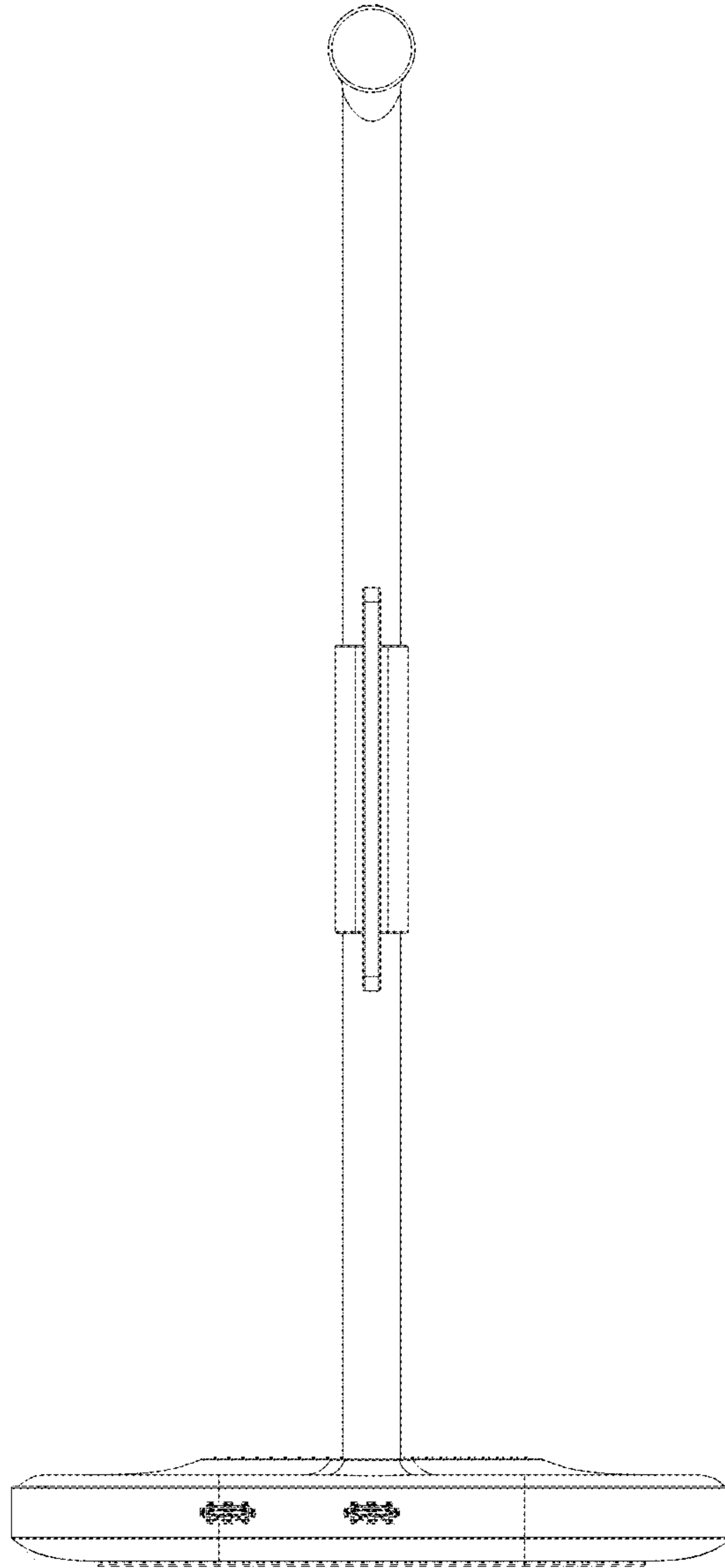


FIG. 4

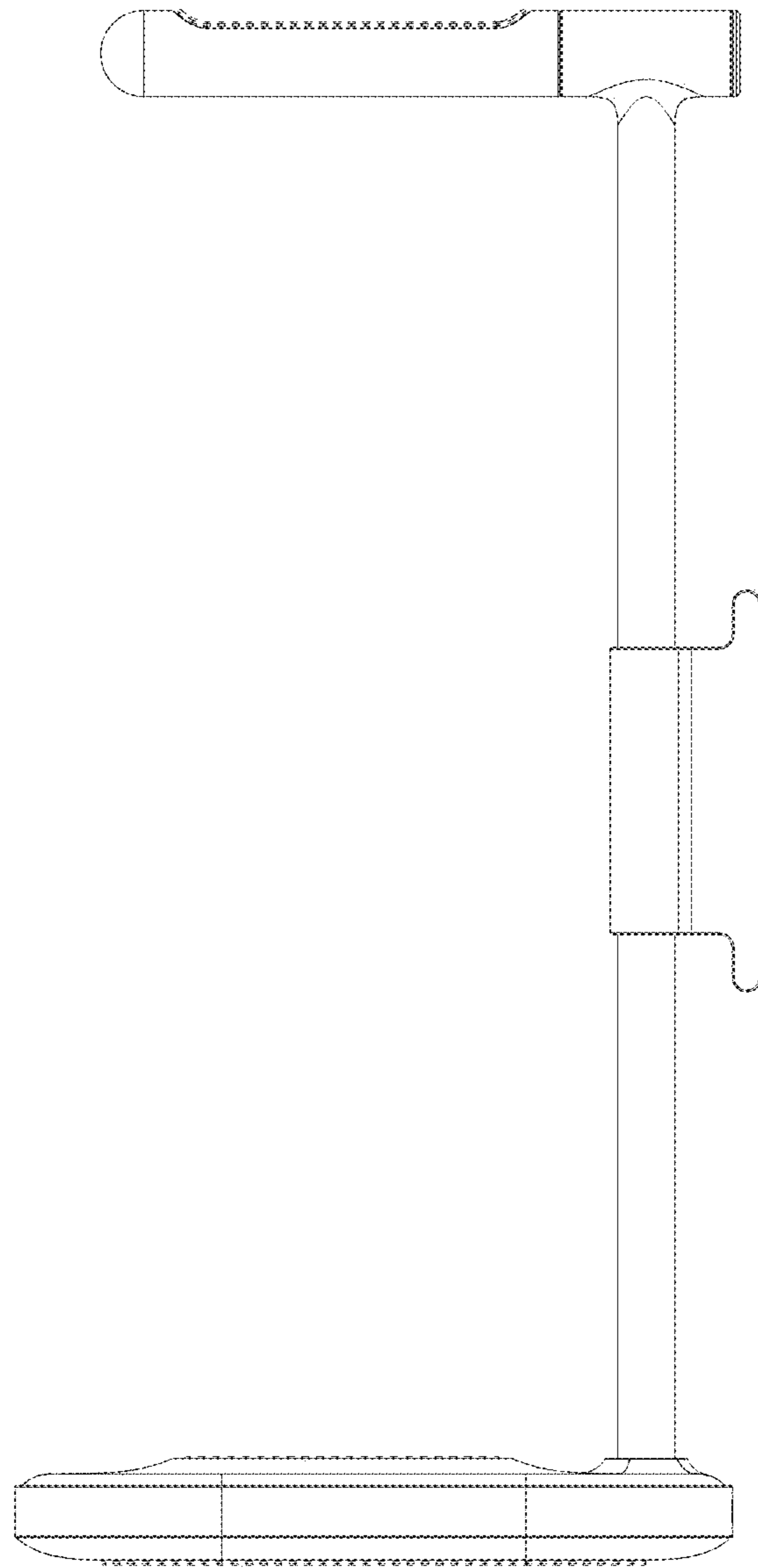


FIG. 5

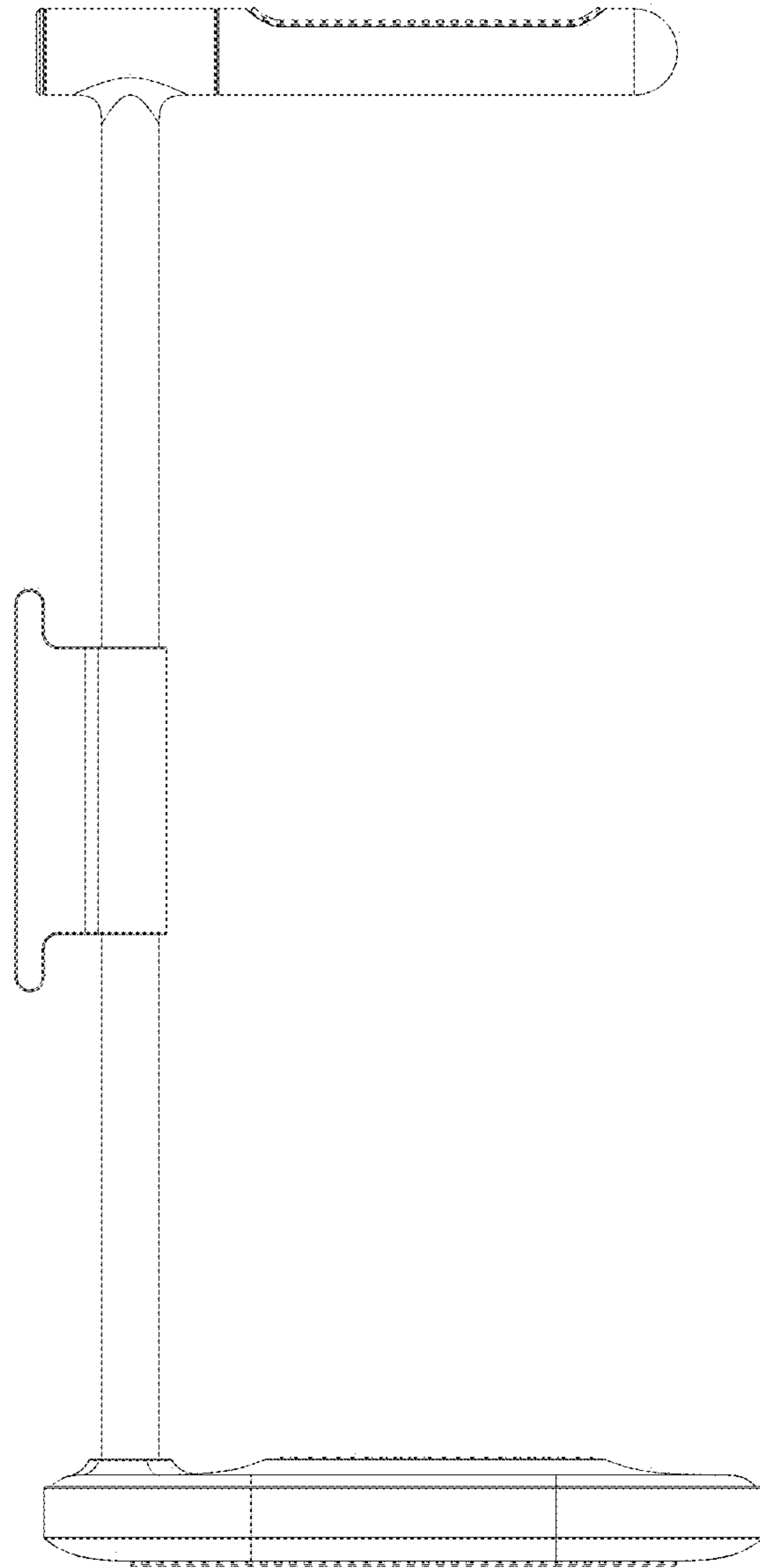


FIG. 6

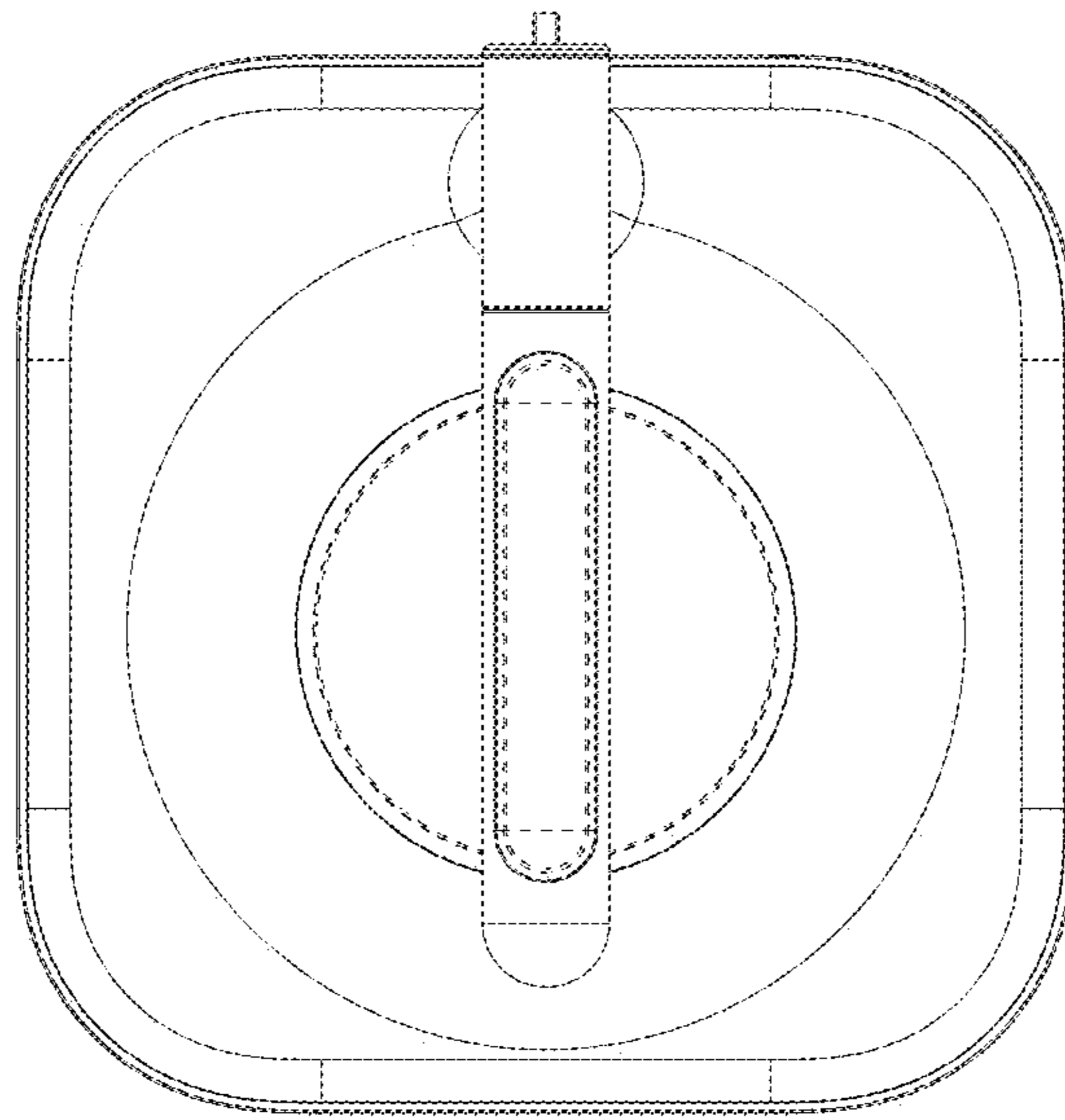


FIG. 7

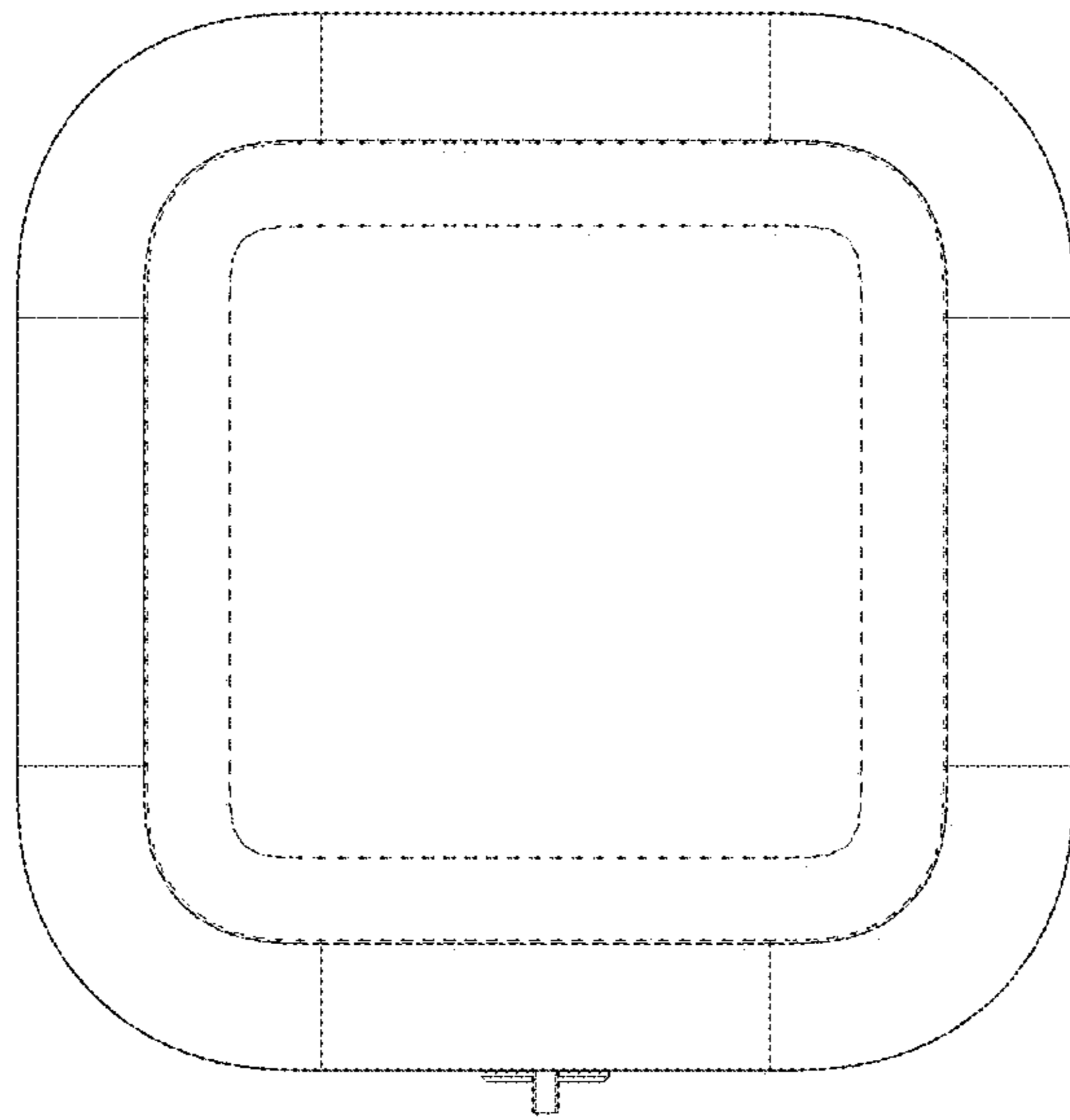


FIG. 8

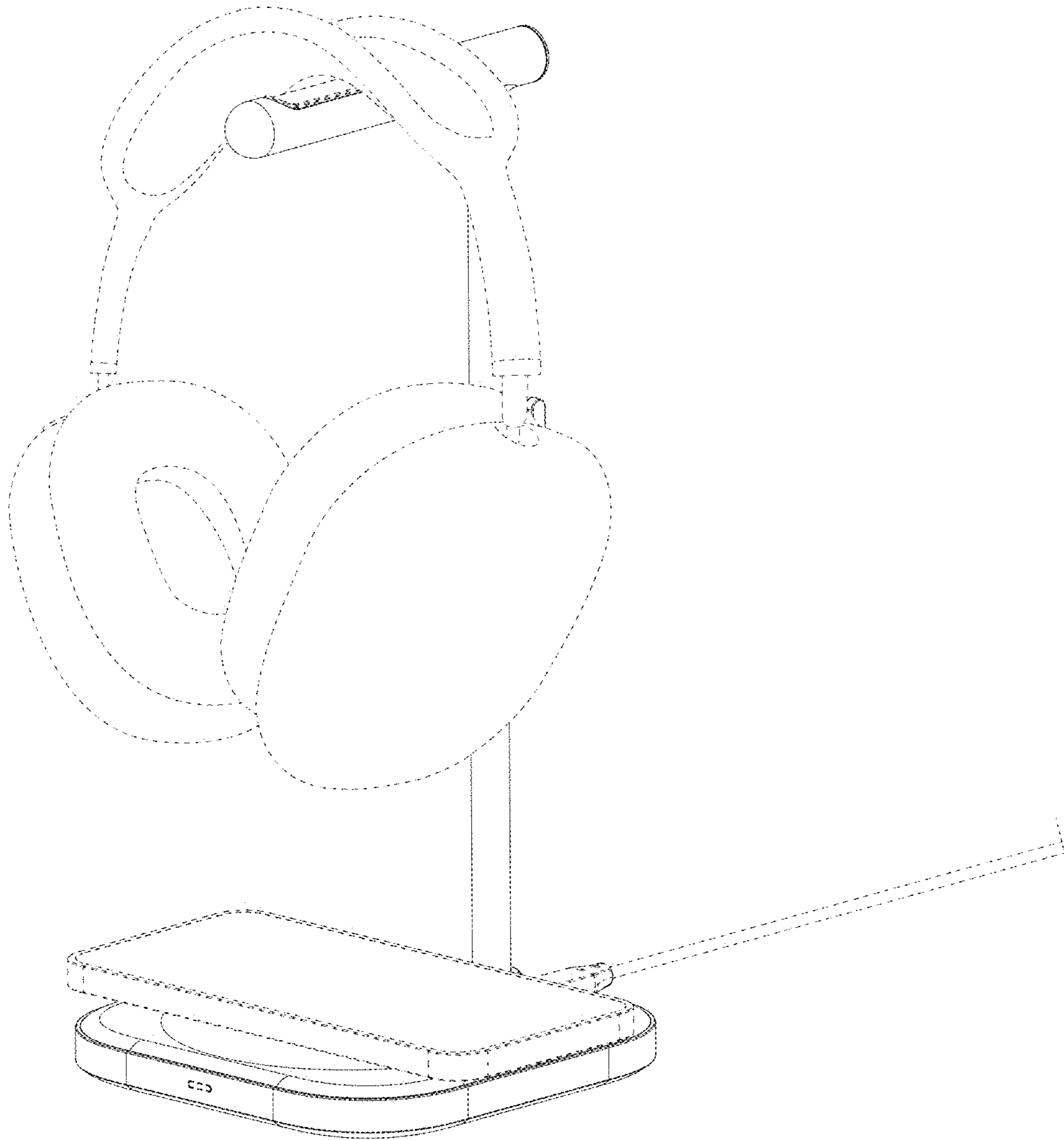


FIG. 9