



US00D956021S

(12) **United States Design Patent**  
**Loidl**

(10) **Patent No.:** **US D956,021 S**

(45) **Date of Patent:** **\*\* Jun. 28, 2022**

(54) **SPIKE FOR A LOUDSPEAKER**

(71) Applicant: **VIABLUE GMBH**, Malsch (DE)

(72) Inventor: **Joerg Loidl**, Malsch (DE)

(73) Assignee: **VIABLUE GMBH**, Malsch (DE)

(\*\*) Term: **15 Years**

(21) Appl. No.: **29/699,363**

(22) Filed: **Jul. 24, 2019**

**Related U.S. Application Data**

(62) Division of application No. 35/503,997, filed on Mar. 26, 2018 (U.S. filing date under 35 U.S.C. 384), and having an international filing date of Mar. 26, 2018, now Pat. No. Des. 864,170.

(51) **LOC (13) Cl.** ..... **14-01**

(52) **U.S. Cl.**  
USPC ..... **D14/224**; D14/217

(58) **Field of Classification Search**  
USPC ... D14/224, 217, 172, 204, 209.1, 194, 221;  
D2/962, 963, 966, 968; D11/164;  
D8/360, 364, 385, 387, 349, 388, 391,  
D8/393, 399, 397, 294, 382; D10/130,  
D10/131; D7/392.1; D26/89; D23/261,  
D23/549, 260; 248/508, 504, 156;  
381/386, 389, 86; 181/141; 137/625.41;  
411/180; 47/78  
CPC ..... H04R 1/00; H04R 1/02; H04R 1/1026;  
H04R 1/16; H04R 2400/00; H05K 5/00  
See application file for complete search history.

(56) **References Cited**

**U.S. PATENT DOCUMENTS**

D15,490 S \* 10/1884 Mundy ..... D8/382  
1,431,162 A \* 10/1922 Keplinger ..... E05B 37/00  
70/306  
1,438,681 A \* 12/1922 Bath ..... G01B 3/34  
33/555.2

(Continued)

**OTHER PUBLICATIONS**

DM/101076—Parent application as published under Hague Agreement Concerning the International Deposit of Industrial Designs—published May 25, 2018.

*Primary Examiner* — Paula Allen Greene

(74) *Attorney, Agent, or Firm* — Alexander R. Schlee;  
Pascal A. Schlee; Schlee IP International, PC

(57) **CLAIM**

The ornamental design for a spike for a loudspeaker, as shown and described.

**DESCRIPTION**

FIG. 1 is a side view of a spike for loudspeaker showing the new design including the bottom part and a top part placed adjacent to the bottom part; the front, back, right, and left side views being identical;

FIG. 2 is a top perspective view of a second configuration with the top part being vertically separate from the bottom part;

FIG. 3 is a top perspective view of the first configuration; FIG. 4 is a bottom view of the bottom of the spike in either one of the first or second configurations;

FIG. 5 is a bottom view of the top part of the spike in the second configuration;

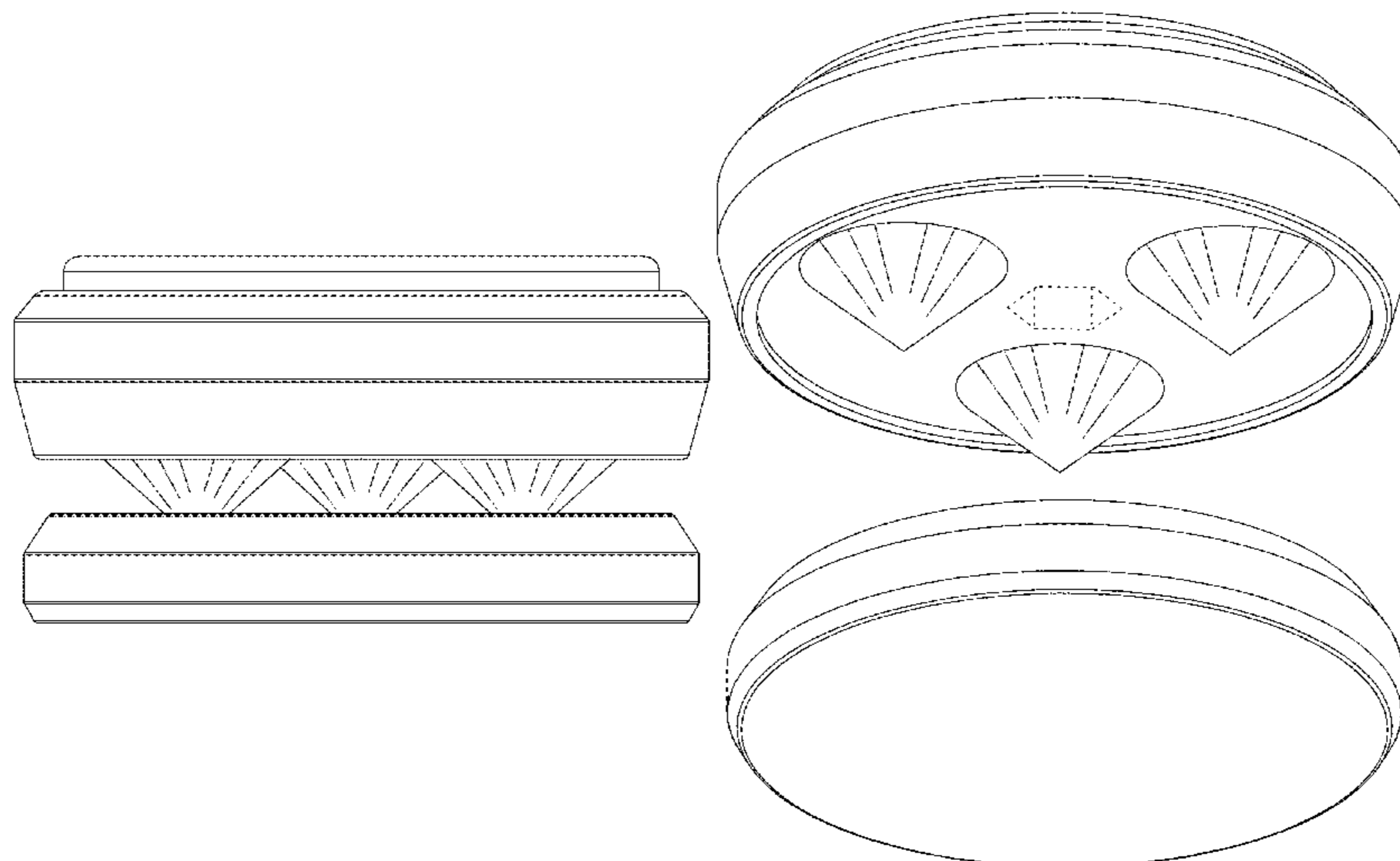
FIG. 6 is a side view of the spike for a loudspeaker in the second configuration showing the new design, the front, back, right and left side views being identical;

FIG. 7 is a top view of either one of the first or second configurations;

FIG. 8 is a bottom perspective view of the second configuration; and,

FIG. 9 is a bottom perspective view of the first configuration. The broken lines are directed to environment and form no part of the claimed design.

**1 Claim, 9 Drawing Sheets**







(56)

**References Cited**

U.S. PATENT DOCUMENTS

D864,170 S \* 10/2019 Loidl ..... D14/224  
D866,525 S \* 11/2019 Chen ..... D14/217  
D894,343 S \* 8/2020 Hay ..... D23/259  
D897,824 S \* 10/2020 Lewis ..... D8/356  
D898,653 S \* 10/2020 Wells ..... D12/345  
D912,783 S \* 3/2021 McCauley ..... D23/260  
D932,679 S \* 10/2021 Johnson ..... D26/89  
2005/0047604 A1 \* 3/2005 Wright ..... H04R 1/025  
381/12  
2005/0247353 A1 \* 11/2005 Kao ..... F16K 11/074  
137/625.41  
2008/0137899 A1 \* 6/2008 Campbell Jr. .... H04R 1/025  
381/386  
2017/0303024 A1 \* 10/2017 Sato ..... H04R 1/06

\* cited by examiner

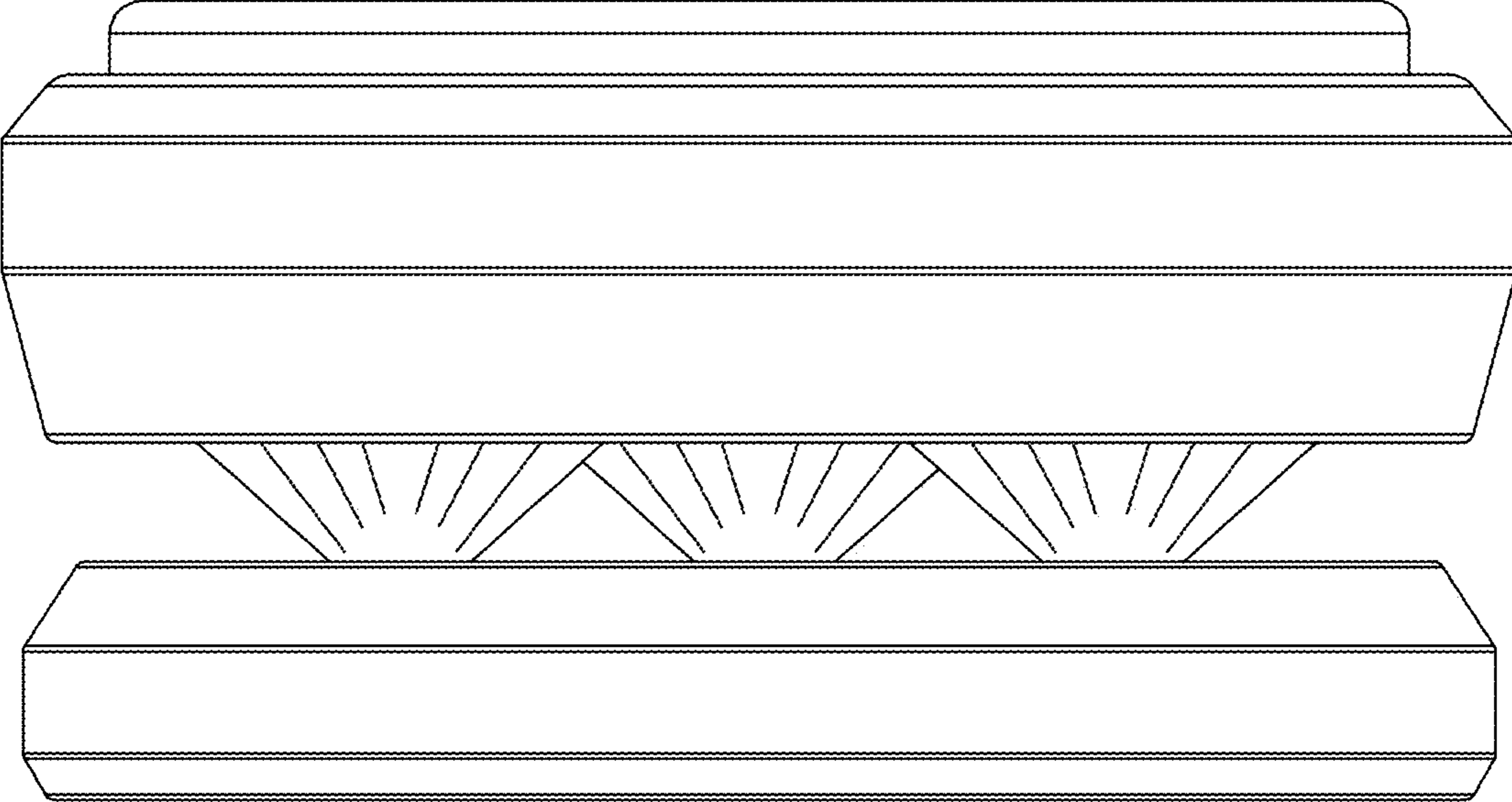


FIG. 1



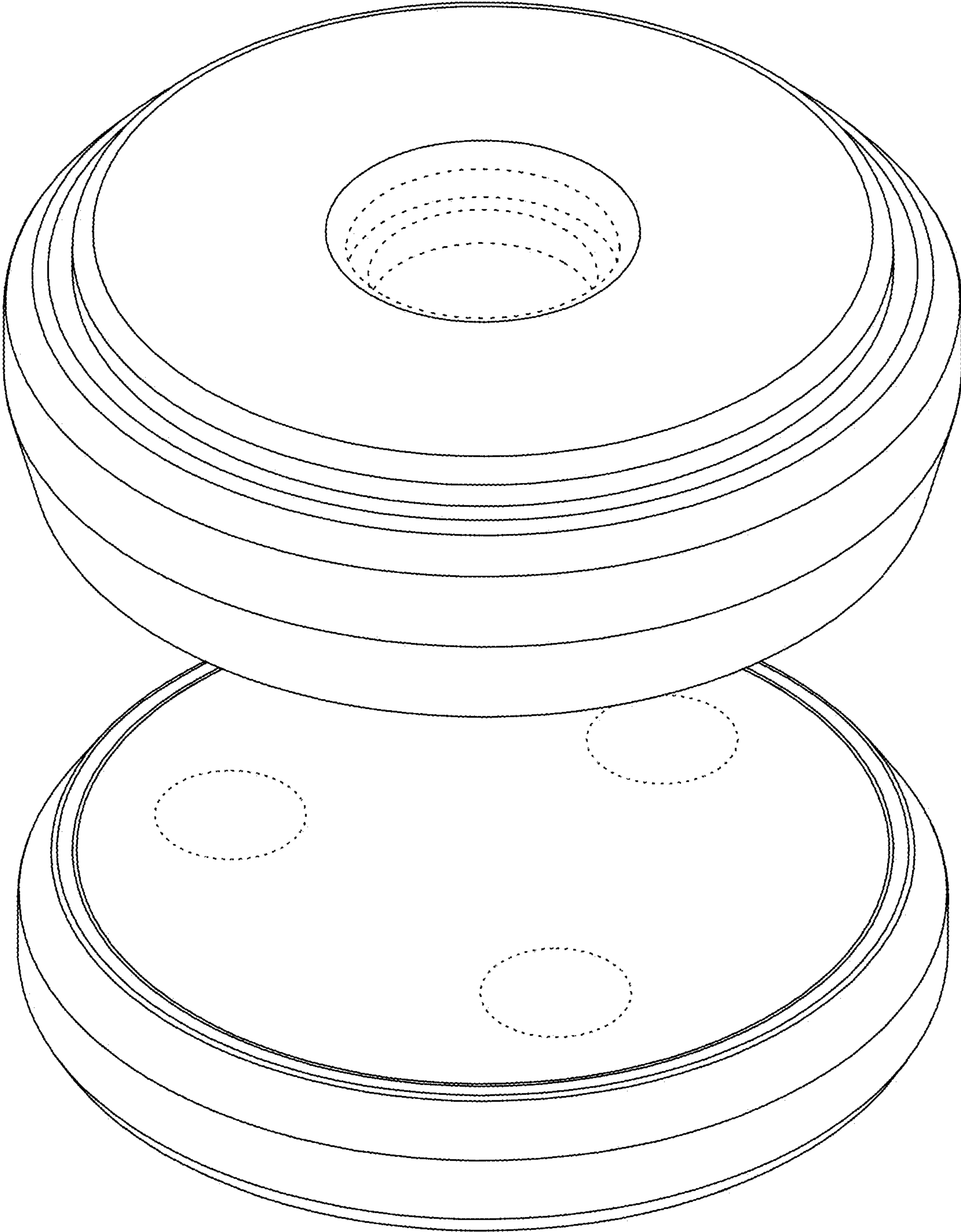


FIG. 2

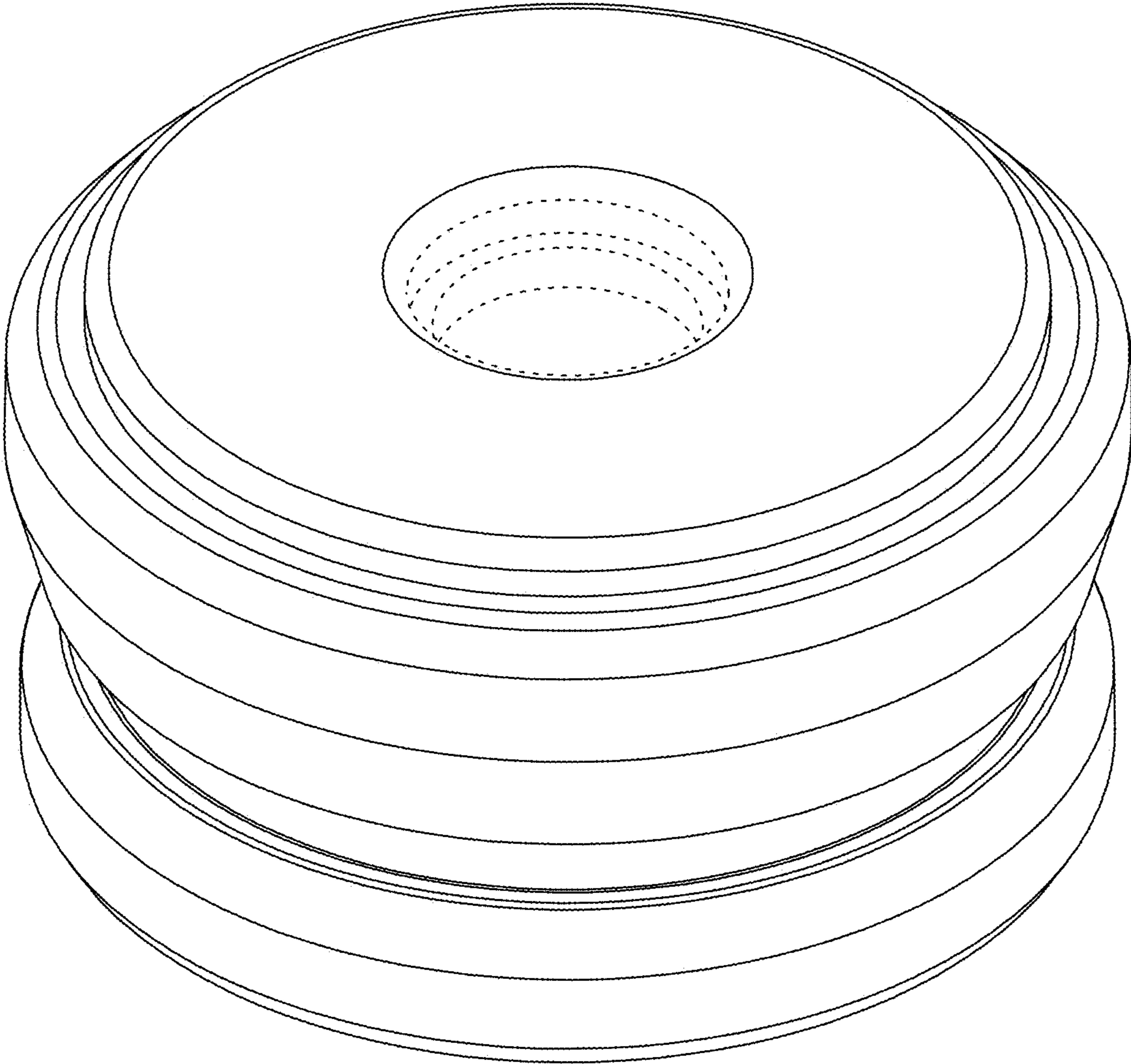


FIG. 3

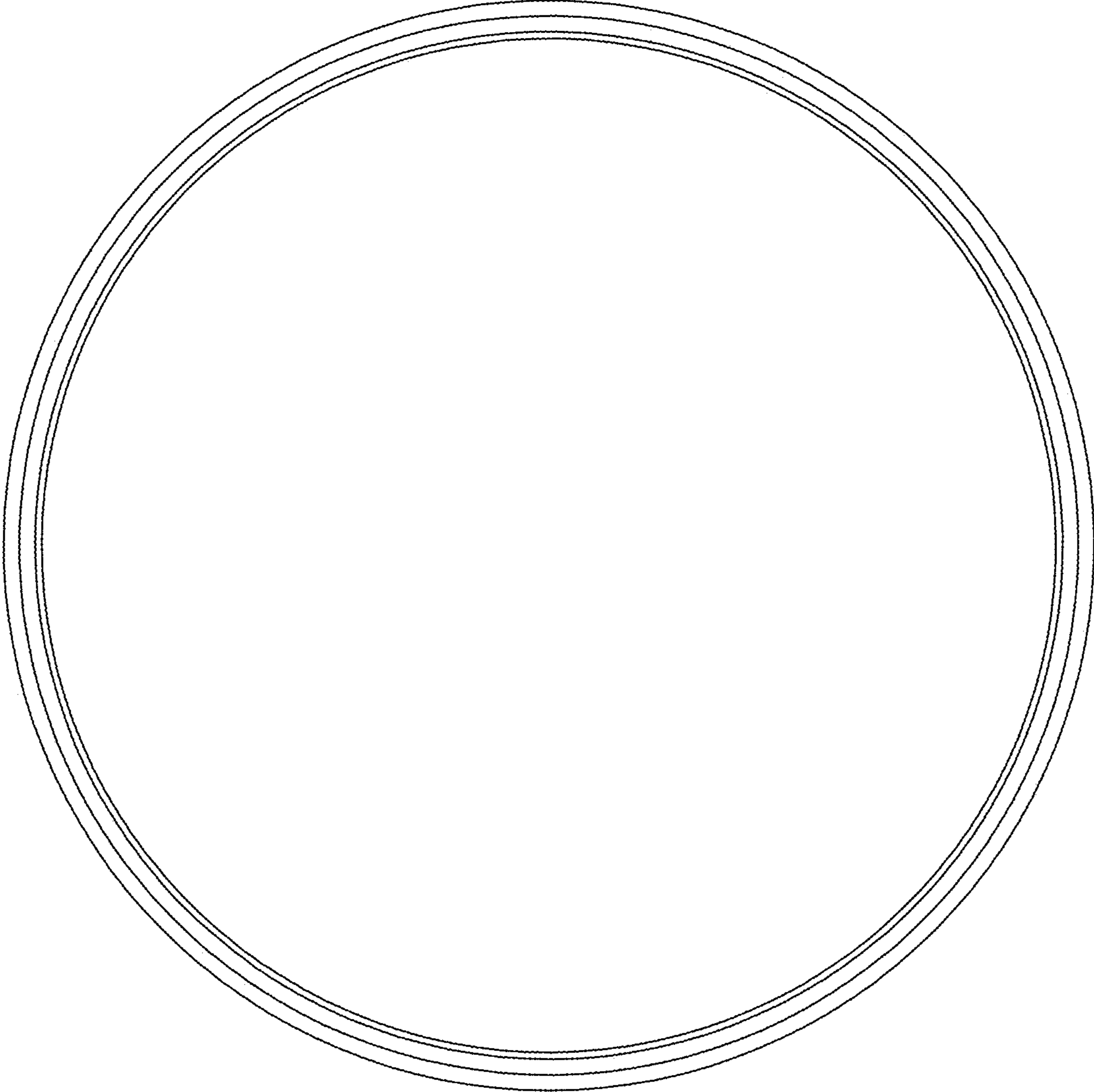


FIG. 4

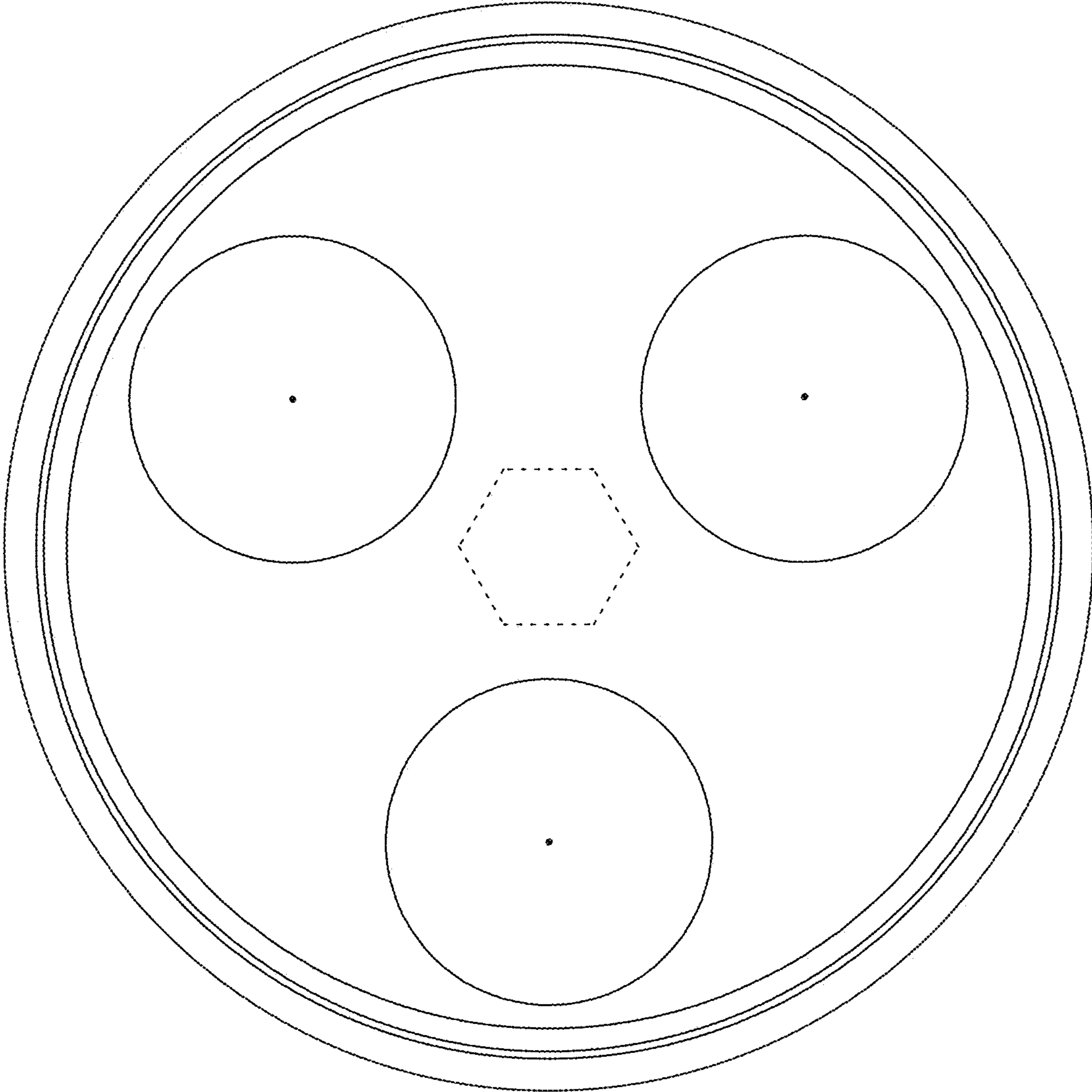


FIG. 5



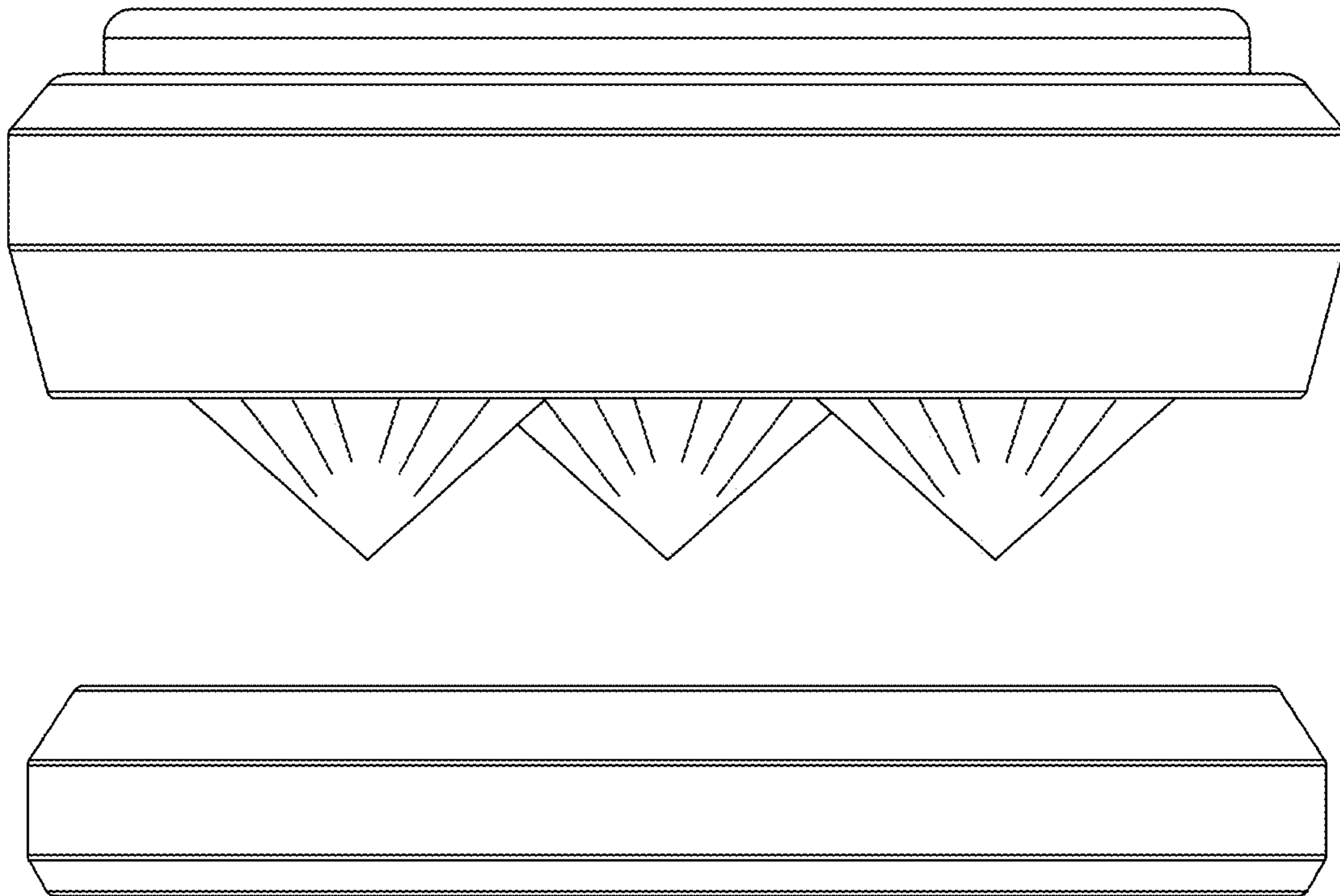


FIG. 6

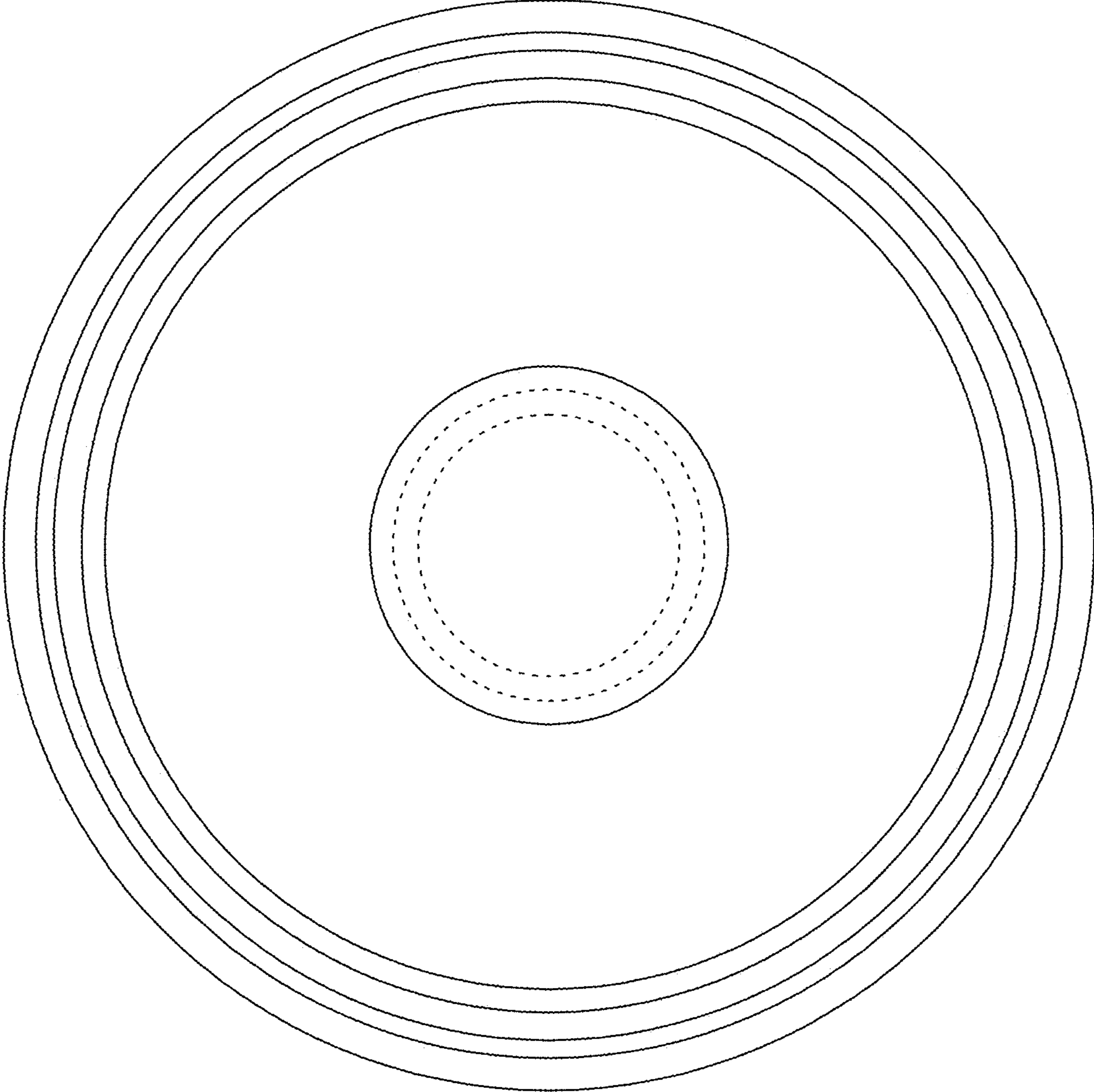


FIG. 7

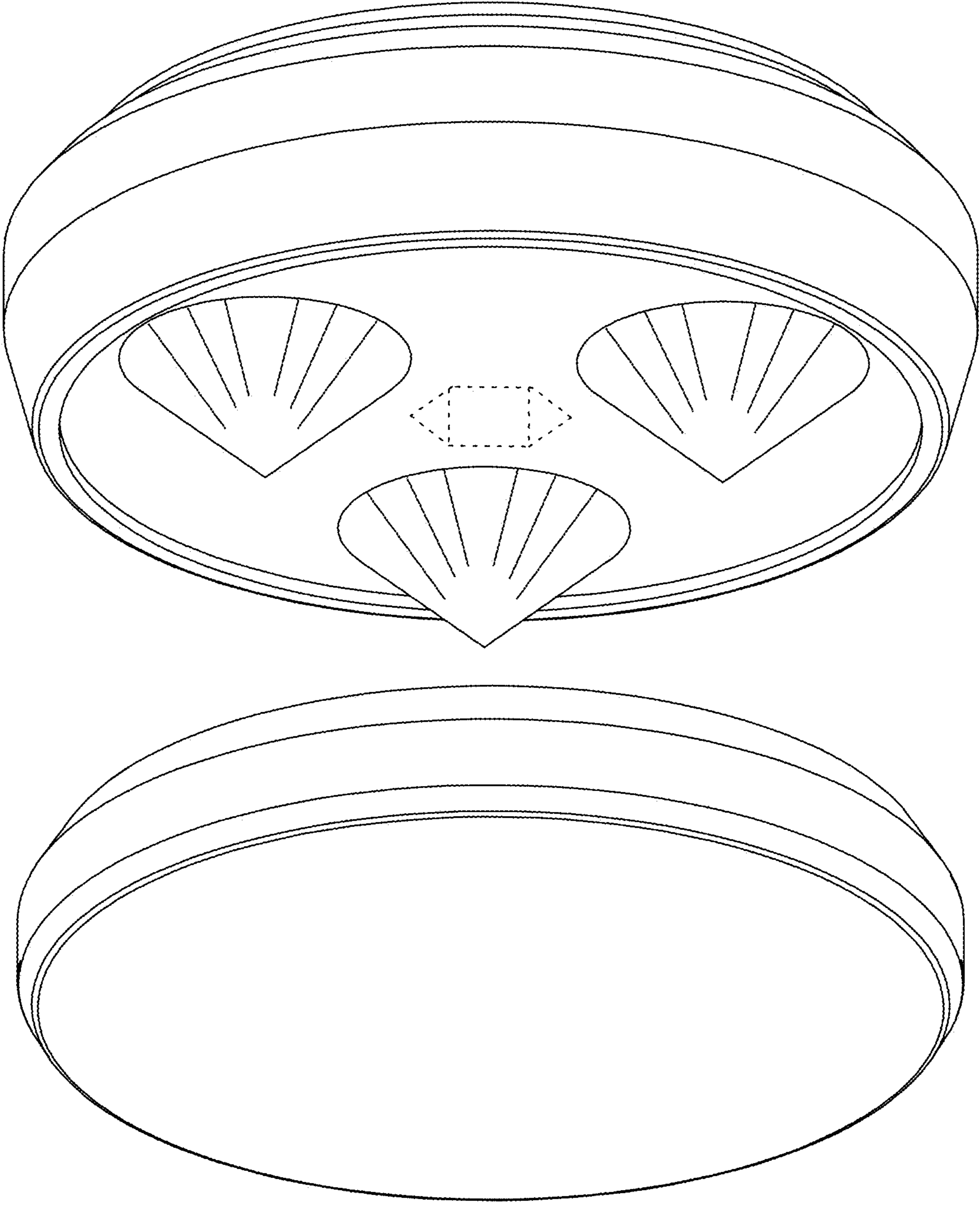


FIG. 8

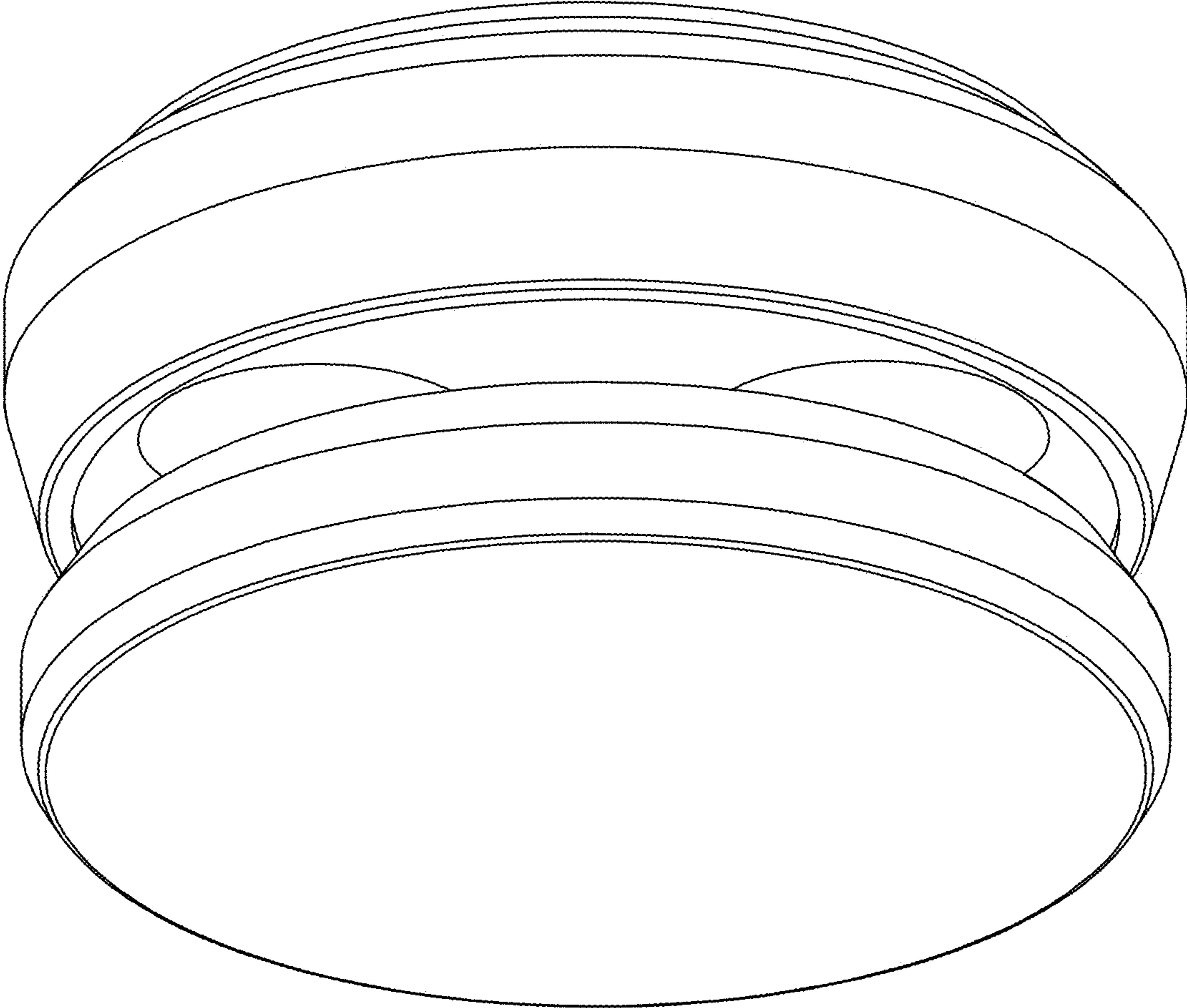


FIG. 9