



US00D956017S

(12) **United States Design Patent**
Su et al.

(10) **Patent No.: US D956,017 S**
(45) **Date of Patent: ** Jun. 28, 2022**

(54) **CASSETTE ADAPTER**

FOREIGN PATENT DOCUMENTS

(71) Applicant: **Guangdong XIAOSHUJIAN Technology Co., Ltd**, Foshan (CN)

CN 305774599 * 5/2020

(72) Inventors: **Kaizan Su**, Guangzhou (CN); **Bin Miao**, Guangdong Province (CN)

OTHER PUBLICATIONS

(**) Term: **15 Years**

Arsvita Car Audio Bluetooth Cassette Receiver—Cassette Aux Adapter, (online) 8 pgs. Available Apr. 16, 2019. [Retrieved Oct. 1, 2021] https://www.amazon.com/Arsvita-Bluetooth-Cassette-Receiver-Adapter/dp/B07QSW6KNY?ref_ast_sto_dp.*

(21) Appl. No.: **29/713,320**

(Continued)

(22) Filed: **Nov. 15, 2019**

(51) **LOC (13) Cl.** **14-03**

Primary Examiner — Marie D. Fast Horse

(52) **U.S. Cl.**

(74) *Attorney, Agent, or Firm* — Xiaofang Zhong; Law Office of Xiaofang Zhong, PLLC

USPC **D14/217**; D14/155; D14/476

(58) **Field of Classification Search**

USPC D14/432, 433, 357, 496, 160, 161, 164, D14/166, 217, 238.1, 299, 474, 475, 476, D14/477, 473, 155, 435.1, 188, 189; D13/147, 153, 154, 156
CPC G03B 21/323; G06F 3/0682; H04N 1/00668; H04N 1/0083; H04N 2201/0049; G11B 7/24097; G11B 23/02; G11B 23/049; G11B 33/005; G11B 33/122; G11B 33/126; G11B 25/066; G11B 31/02; H01R 13/72; H01R 31/06

See application file for complete search history.

(57) **CLAIM**

The ornamental design for a cassette adapter, as shown and described.

DESCRIPTION

FIG. 1 is a front and top perspective view of a cassette adapter, showing our new design; FIG. 2 is a rear and bottom perspective view thereof; FIG. 3 is a front elevational view thereof; FIG. 4 is a rear elevational view thereof; FIG. 5 is a left side elevational view thereof; FIG. 6 is a right side elevational view thereof; FIG. 7 is a top plan view thereof; FIG. 8 is a bottom plan view thereof; FIG. 9 is an enlarged view of a portion indicated in FIG. 1; FIG. 10 is an enlarged view of a portion indicated in FIG. 2; and, FIG. 11 is an enlarged view of a portion indicated in FIG. 6. The broken lines in the figures illustrate portions of the cassette adapter that form no part of the claimed design.

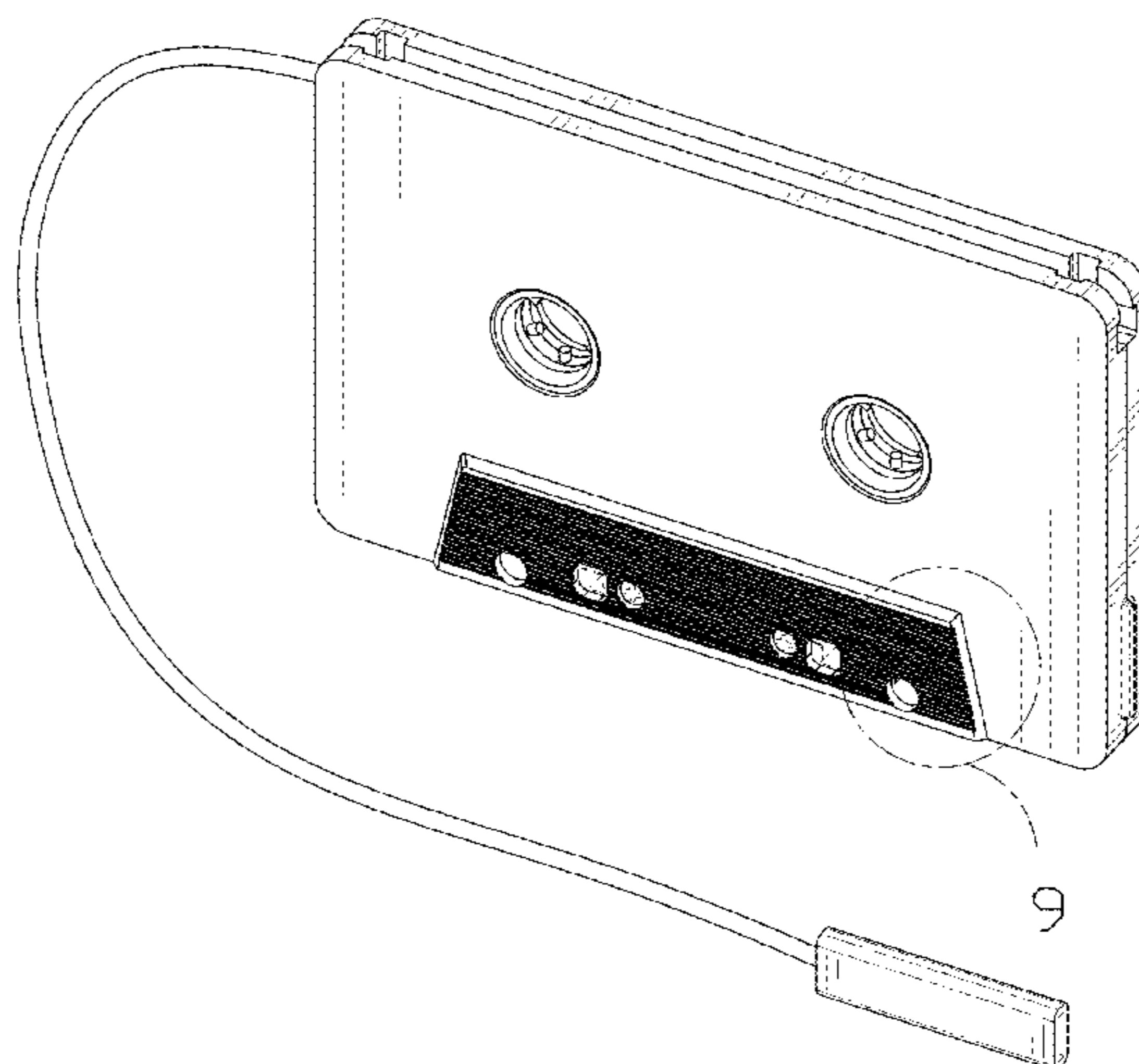
(56) **References Cited**

U.S. PATENT DOCUMENTS

D206,719 S * 1/1967 Dietrich D14/476
D222,911 S * 2/1972 Weiss et al. D14/476
D223,029 S * 2/1972 Weiss et al. D14/476
D236,502 S * 8/1975 Saito D14/476
3,946,156 A * 3/1976 Budrose G11B 23/049
369/1
3,964,099 A * 6/1976 Sato G11B 25/066
360/94
3,978,524 A * 8/1976 Gordon G11B 31/00
369/1
RE29,058 E * 11/1976 Bolick, Jr. G11B 25/066
360/94

(Continued)

1 Claim, 11 Drawing Sheets



(56)

References Cited

U.S. PATENT DOCUMENTS

D244,868 S * 6/1977 Hattori D14/433
 D258,585 S * 3/1981 Yoshizawa D14/476
 D262,369 S * 12/1981 Hatakeyama D14/476
 D262,876 S * 2/1982 Yoshizawa D14/476
 D262,877 S * 2/1982 Yoshizawa D14/476
 D271,198 S * 11/1983 Shimizu D14/476
 D274,055 S * 5/1984 Wester D14/476
 D275,750 S * 10/1984 Shimizu D14/476
 D276,910 S * 12/1984 Lohrer D14/476
 D280,815 S * 10/1985 Gelardi D14/476
 4,566,653 A * 1/1986 Bettinger G11B 23/0875
 220/4.21
 D284,077 S * 6/1986 Kikuchi D14/476
 D286,631 S * 11/1986 Hashimoto D14/476
 4,713,712 A * 12/1987 Chou G11B 23/049
 360/128
 4,734,897 A * 3/1988 Schotz G11B 23/049
 369/2
 4,736,903 A * 4/1988 Landry G11B 23/08721
 242/338.3
 D302,603 S * 8/1989 Whiton D14/476
 D304,031 S * 10/1989 Nishiyama D14/477
 D308,866 S * 6/1990 Kinoshita D14/476
 D311,736 S * 10/1990 Perelli D14/476
 D313,234 S * 12/1990 Liao D14/476
 D316,256 S * 4/1991 Yonehara D14/476
 D316,257 S * 4/1991 Yonehara D14/476
 D316,258 S * 4/1991 Yonehara D14/476
 D316,259 S * 4/1991 Yonehara D14/476
 D316,406 S * 4/1991 Yonehara D14/476
 D317,155 S * 5/1991 Hashimoto D14/476
 D320,201 S * 9/1991 Isozaki D14/476
 D320,202 S * 9/1991 Eng D14/476
 D329,855 S * 9/1992 Horikiri D14/476
 D330,894 S * 11/1992 Horikiri D14/476
 D331,234 S * 11/1992 Horikiri D14/476
 D331,236 S * 11/1992 Grasso D14/476
 D331,237 S * 11/1992 Grasso D14/476
 D331,926 S * 12/1992 Urano D14/476
 D336,085 S * 6/1993 Ogawa D14/476
 D336,086 S * 6/1993 Ogawa D14/476
 D337,324 S * 7/1993 Wolf D14/476
 D337,325 S * 7/1993 Nakamaru D14/476
 5,307,326 A * 4/1994 Osawa G11B 23/049
 369/2
 D348,262 S * 6/1994 Schoettle D14/476
 D349,895 S * 8/1994 Gramuglia D14/476
 D350,952 S * 9/1994 Katayama D14/476
 5,438,189 A * 8/1995 Von Heck G11B 23/08707
 242/347
 5,444,675 A * 8/1995 De Bie G11B 23/049
 174/666

D363,929 S * 11/1995 Tanaka D14/476
 D364,156 S * 11/1995 Tanaka D14/476
 D365,344 S * 12/1995 Schoettle D14/476
 D369,794 S * 5/1996 Matsuki D14/476
 5,586,090 A * 12/1996 Otte G11B 23/049
 369/1
 D384,055 S * 9/1997 Luo D14/476
 5,910,866 A * 6/1999 Shiomoto G11B 23/049
 360/241
 6,011,756 A * 1/2000 Lee G11B 23/049
 369/2
 6,058,319 A * 5/2000 Sadler H04M 1/6083
 455/569.2
 6,091,672 A * 7/2000 Oh G11B 23/049
 369/2
 D438,871 S * 3/2001 Luo D14/476
 D478,057 S * 8/2003 Cohen D14/155
 D531,991 S * 11/2006 Chau D14/217
 D560,649 S * 1/2008 Hsu D14/155
 D581,920 S * 12/2008 O'Brien D14/299
 D646,667 S * 10/2011 Donegain D14/217
 D709,504 S * 7/2014 Breines D14/433
 D733,685 S * 7/2015 Izen D14/217
 D815,600 S * 4/2018 Matsuoka D13/147
 D817,889 S * 5/2018 Akana D13/147
 D853,982 S * 7/2019 Lu D14/155
 D885,369 S * 5/2020 Chen D14/433
 2005/0245191 A1 * 11/2005 Falcon G11B 23/049
 455/3.06
 2005/0266801 A1 * 12/2005 Mathews H04B 1/38
 455/66.1
 2006/0256475 A1 * 11/2006 Lindsay G11B 31/02
 360/137
 2008/0273429 A1 * 11/2008 Dayan G11B 31/02
 369/2
 2008/0291786 A1 * 11/2008 Bruns G11B 23/049
 369/2
 2008/0291787 A1 * 11/2008 Bruns G11B 23/049
 369/2

OTHER PUBLICATIONS

Arsvita Car Audio Cassette to Aux Adapter, (online) 10 pgs. Available Jan. 23, 2019. [Retrieved Oct. 5, 2021] https://www.amazon.com/Arsvita-Audio-Cassette-Adapter-Auxillary/dp/B07N2KPTGW?ref_ast_sto_dp.
 Cassette tape MP3 converters. (Design—© Questel) orbit.com. [online PDF of Foreign references] 13 pgs. Print Dates range May 12, 2020-Nov. 20, 2020. [Retrieved Oct. 6, 2021] <https://www.orbit.com/export/QPTUJ214/pdf2/2205ba44-ef20-46bc-a423-e9c35594f2da-184046.pdf>.

* cited by examiner

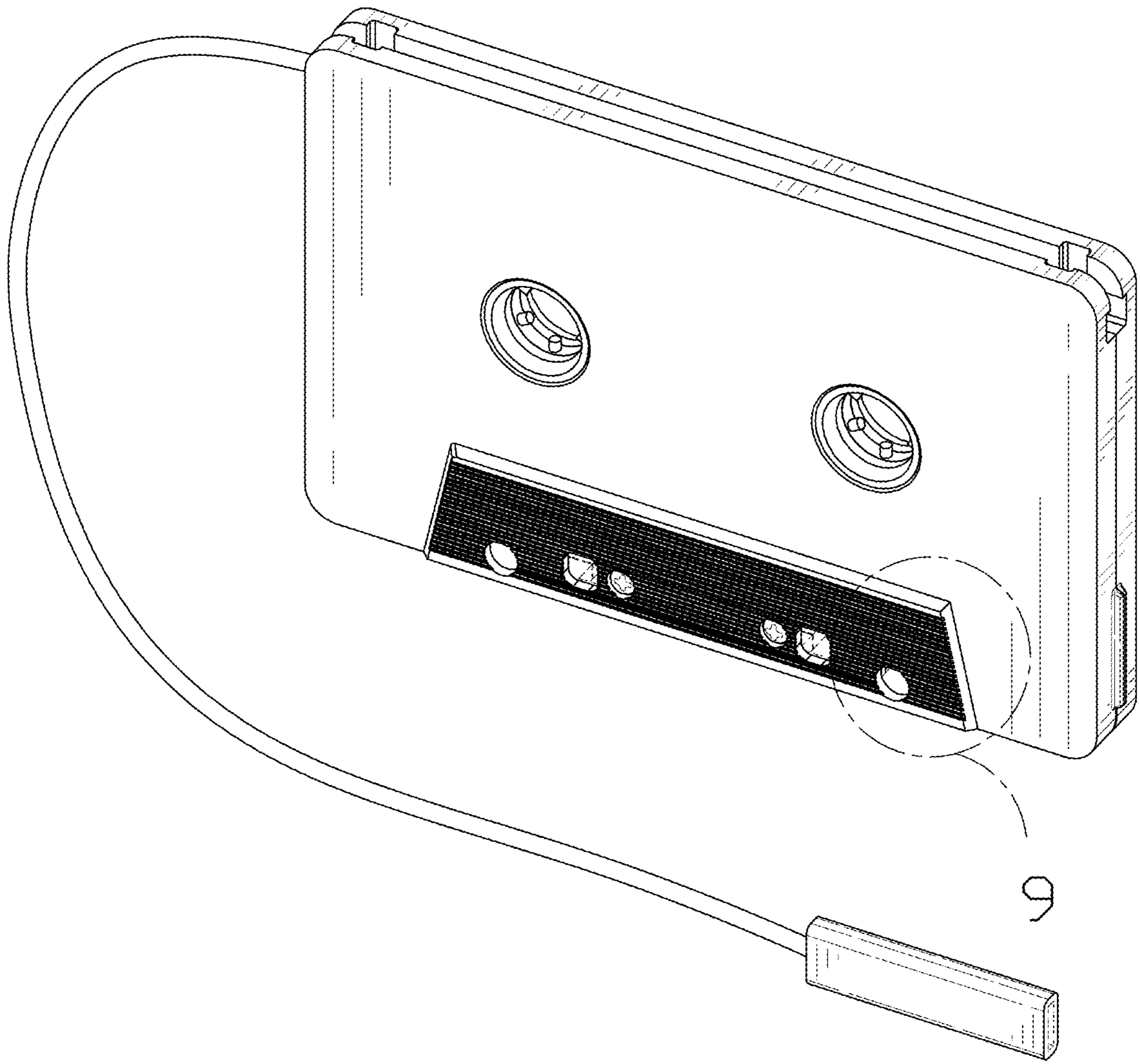


FIG. 1

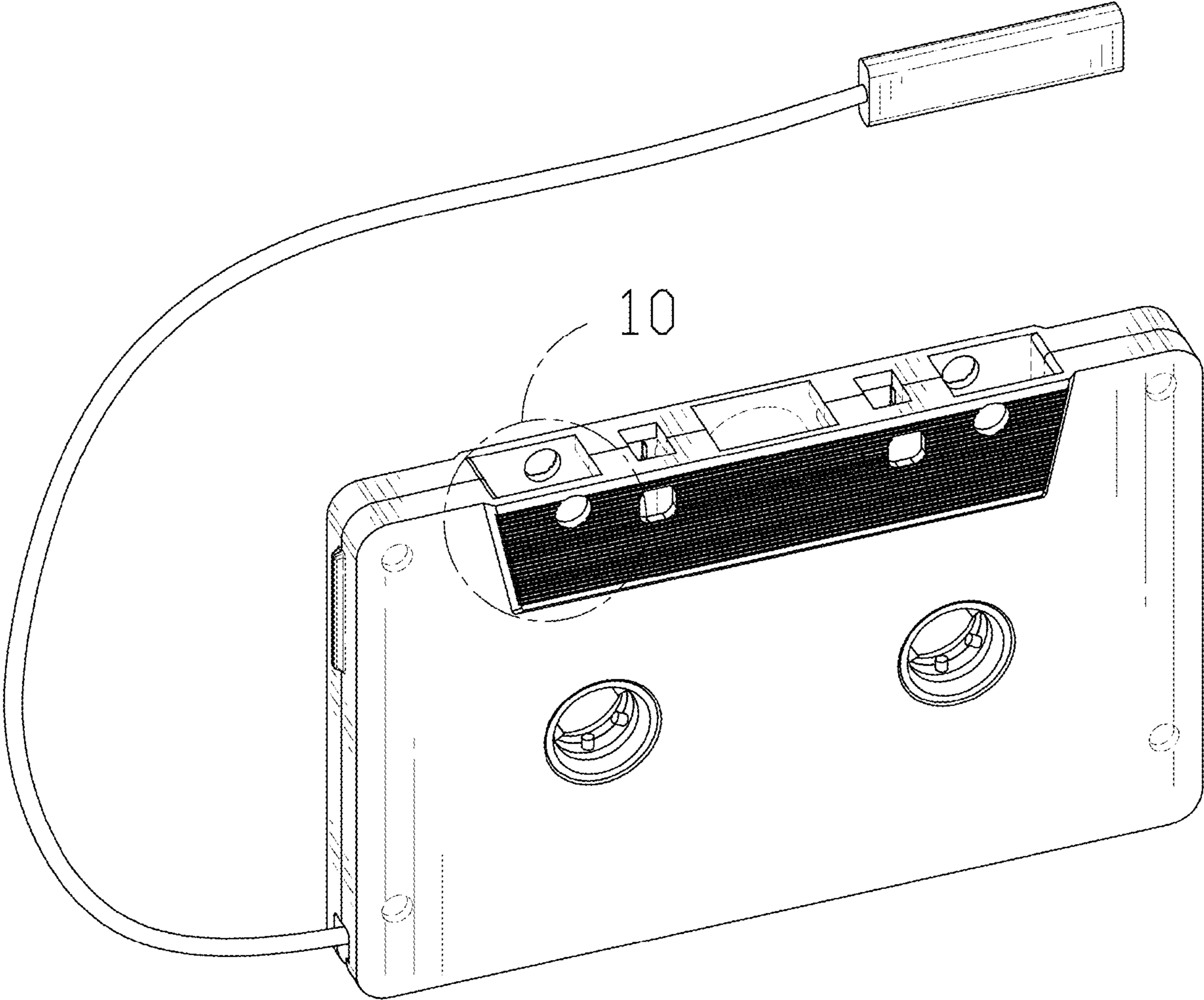


FIG. 2

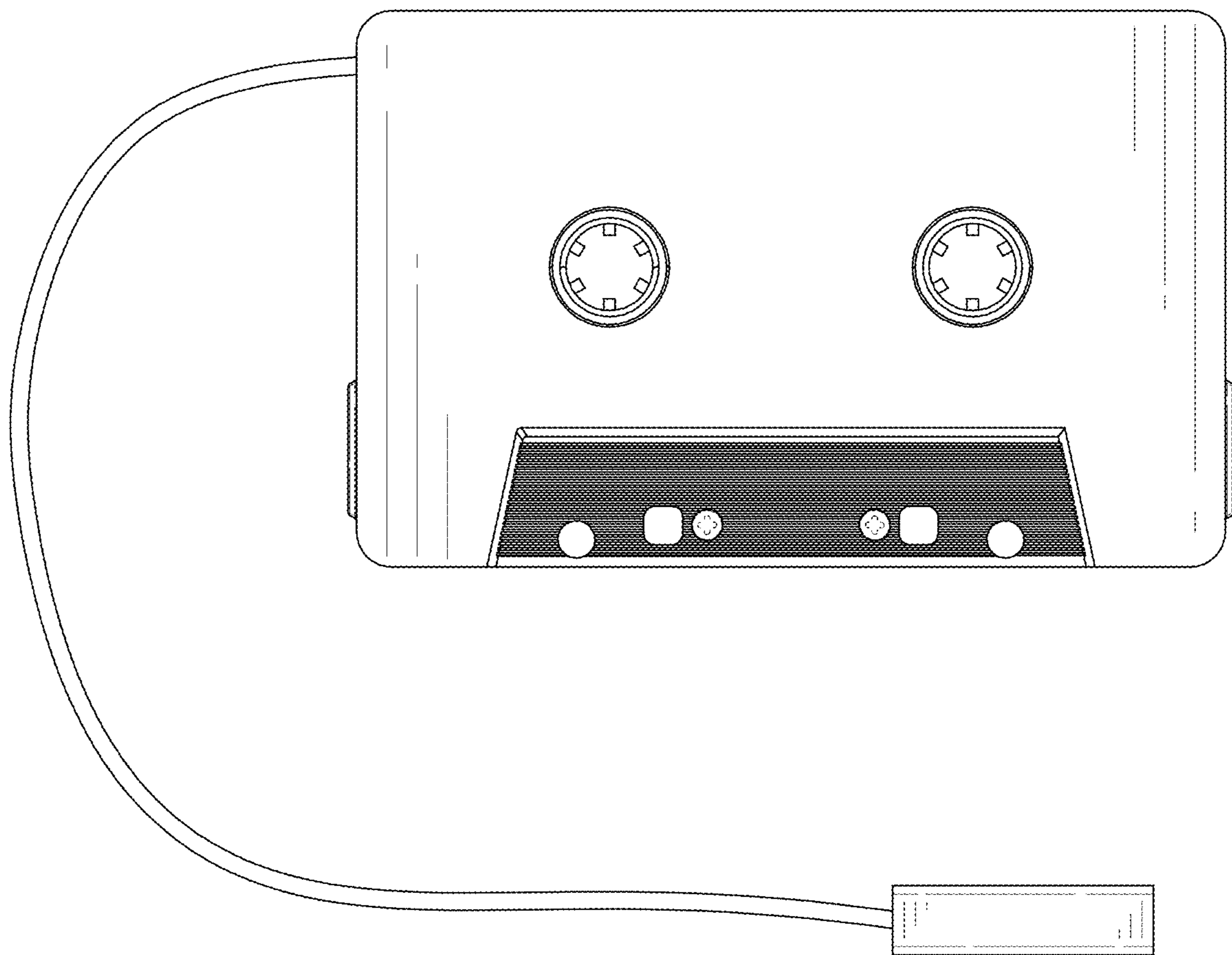


FIG. 3

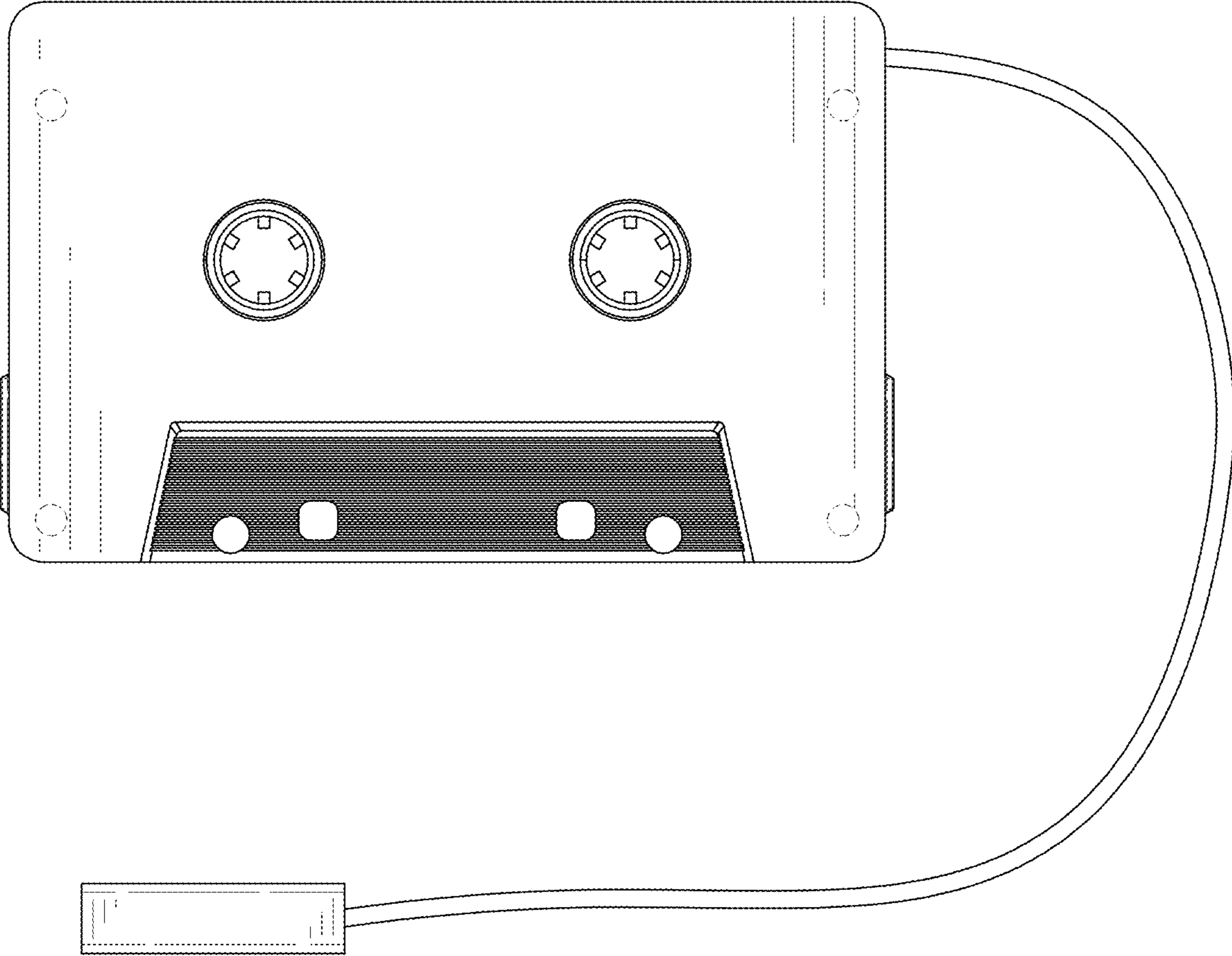


FIG. 4

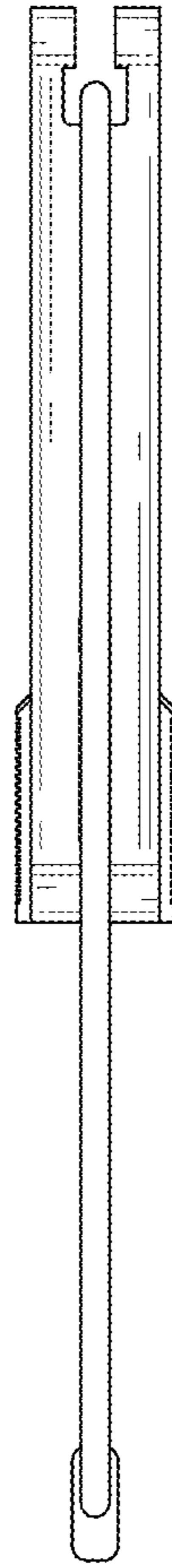


FIG. 5

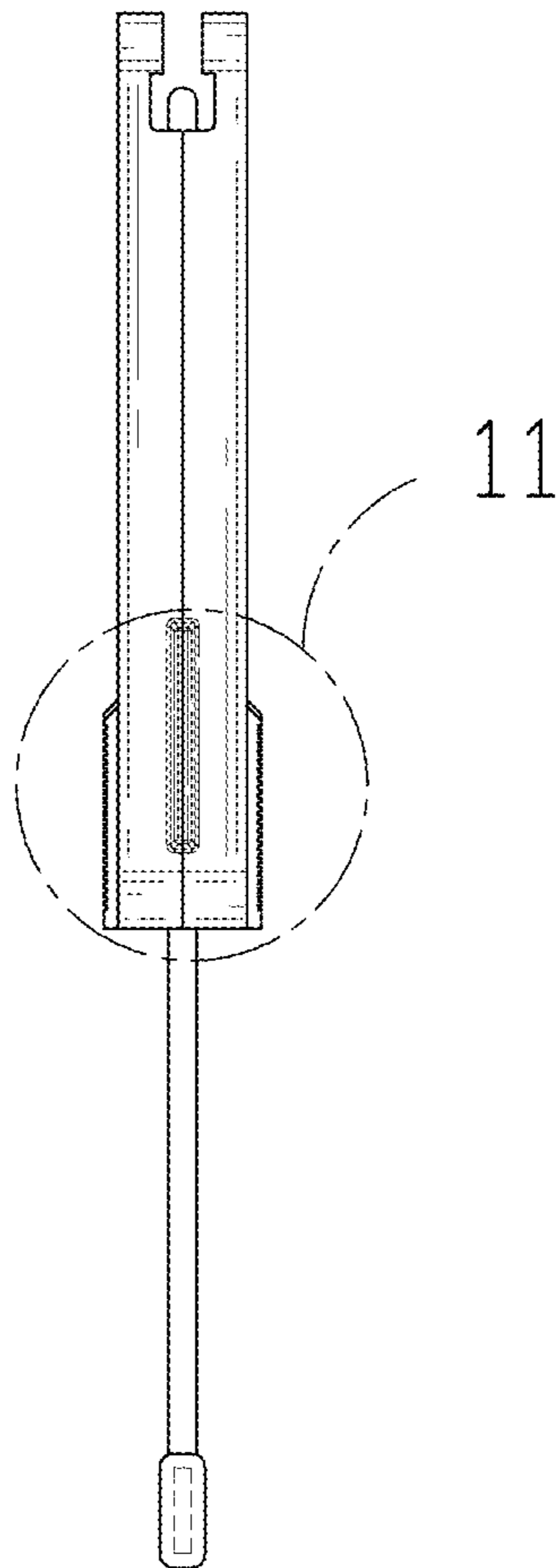


FIG. 6

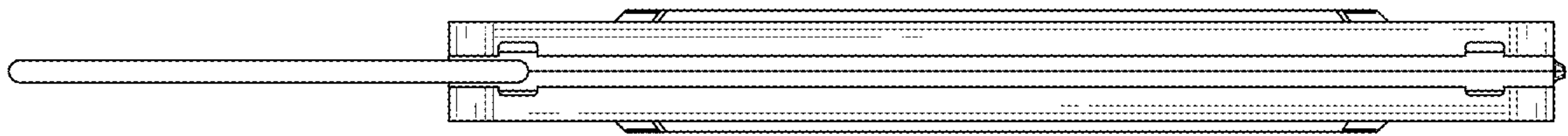


FIG. 7

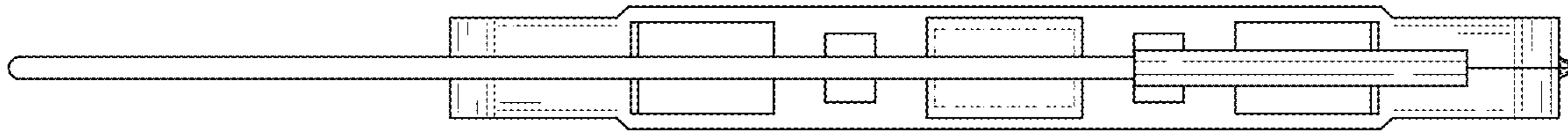


FIG. 8

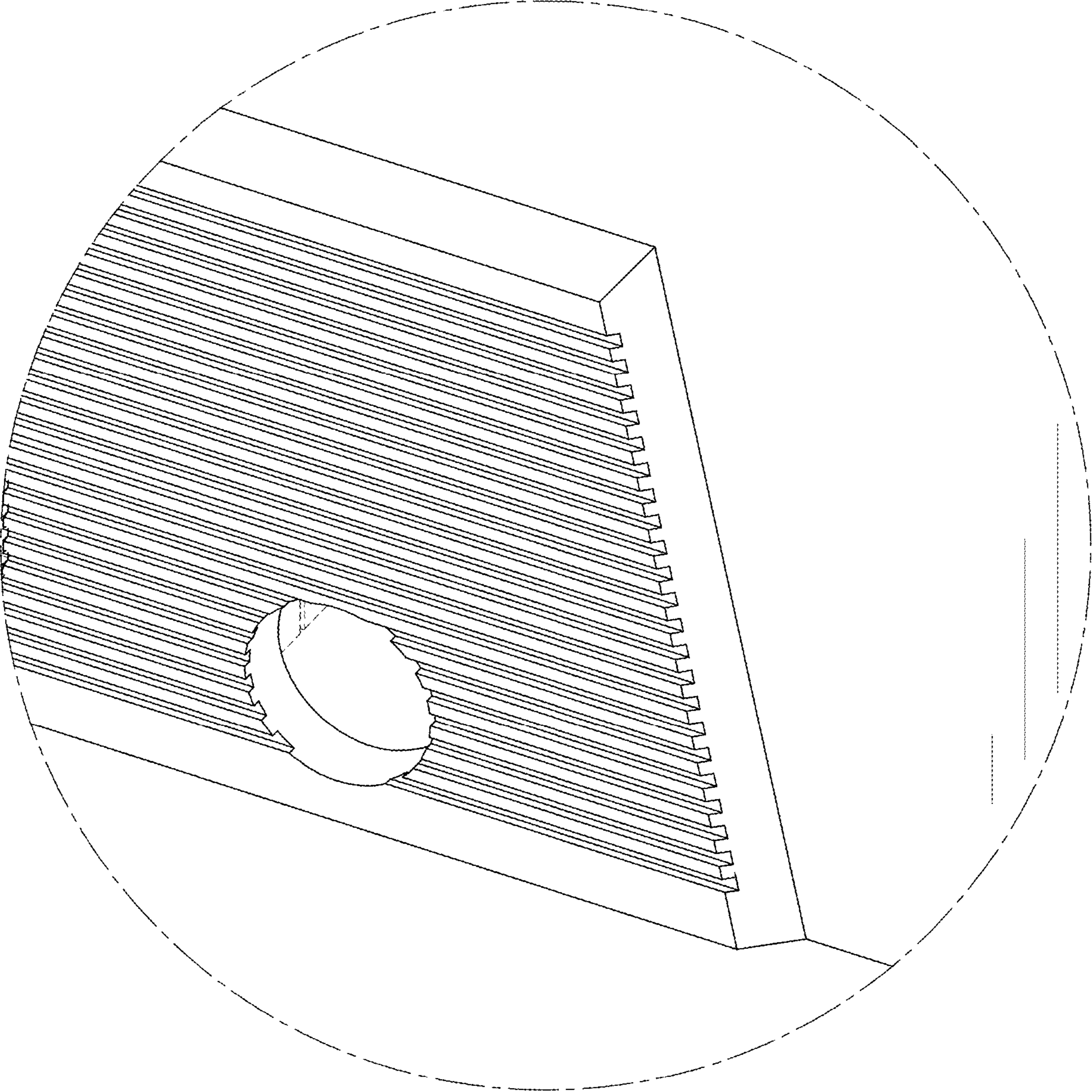


FIG. 9

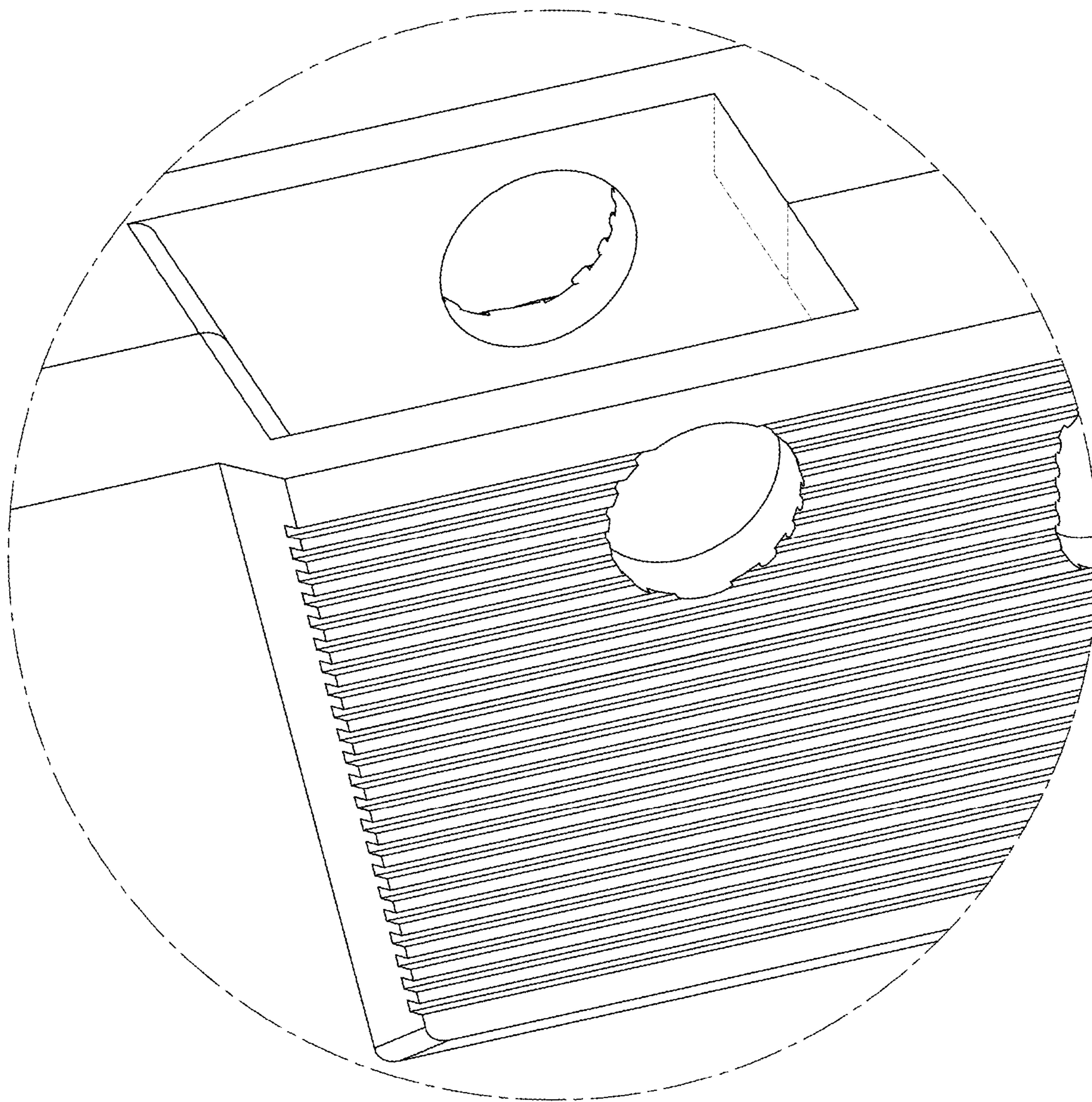


FIG. 10

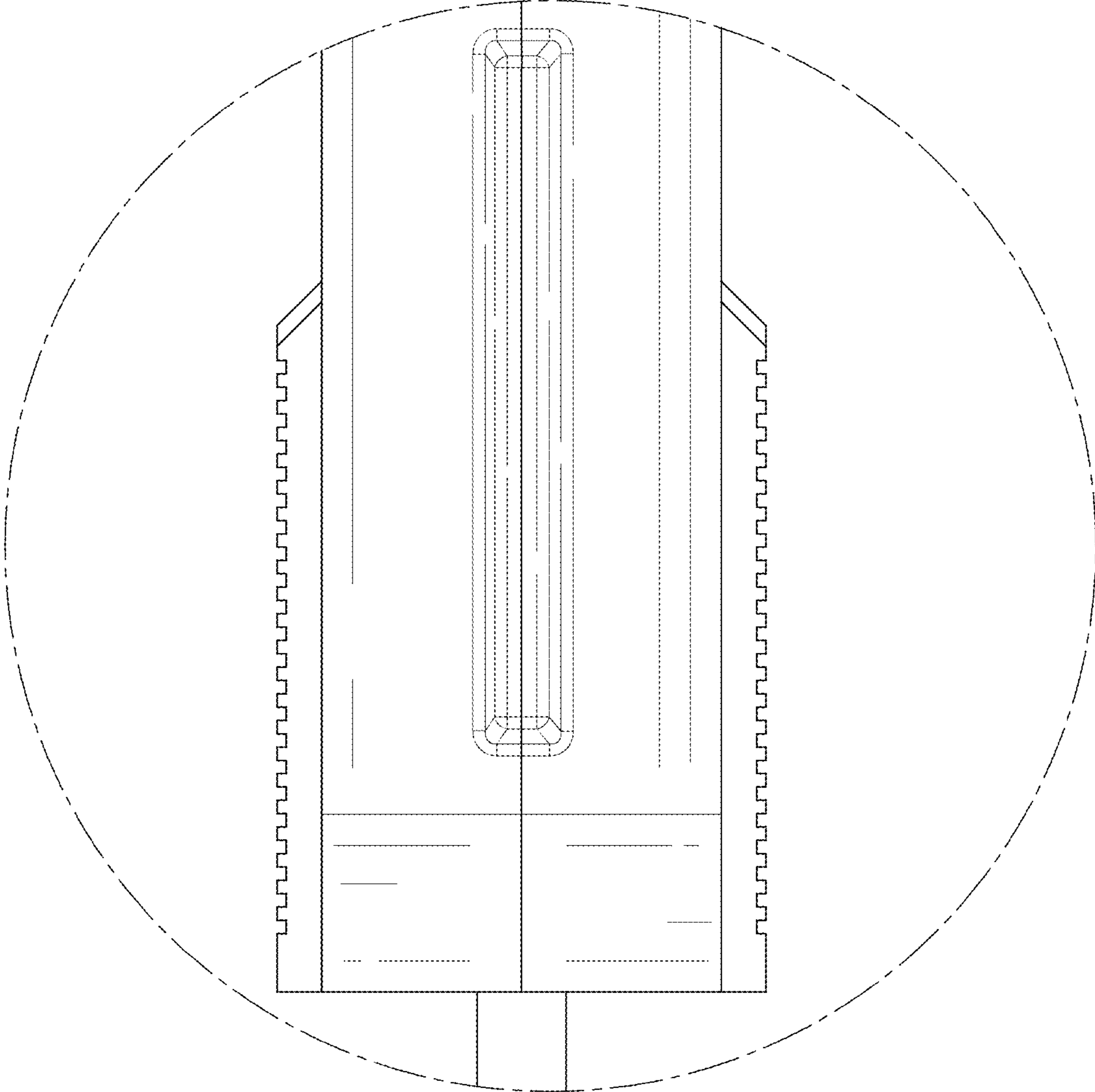


FIG. 11