



US00D956014S

(12) **United States Design Patent** (10) **Patent No.:** **US D956,014 S**
Batson et al. (45) **Date of Patent:** **** Jun. 28, 2022**

(54) **HEADSET**

(71) Applicant: **GN AUDIO A/S**, Ballerup (DK)

(72) Inventors: **Kevin A. Batson**, Dover, NH (US);
William J. Blank, Jr., Hampton, NH
(US); **David Alden Jaques**, Durham,
NH (US); **Thomas F. Terrien, Jr.**,
Portsmouth, NH (US)

D327,888 S 7/1992 Fitzgerald
D330,522 S 10/1992 Mokhtarian
D333,305 S 2/1993 West
D337,116 S 7/1993 Hattori
D342,947 S 1/1994 Totsuka
D344,730 S 3/1994 Gattey
D346,380 S 4/1994 Fitzgerald
D352,036 S 11/1994 Sekita
D364,617 S 11/1995 Fitzgerald
D369,167 S 4/1996 Hanson

(Continued)

(73) Assignee: **GN AUDIO A/S**, Ballerup (DK)

(**) Term: **15 Years**

(21) Appl. No.: **29/746,387**

(22) Filed: **Aug. 13, 2020**

(51) **LOC (13) Cl.** **14-01**

(52) **U.S. Cl.**
USPC **D14/206**; D14/226

(58) **Field of Classification Search**
USPC D14/206, 226, 188, 192, 225; D29/112;
2/209; 381/380, 381, 374; 455/90.3,
455/575.1, 569.1
CPC H04R 25/00; H04R 25/02; H04R 19/04;
H04R 11/04; H04R 1/1016; H04R
1/1066; H04R 5/033; H04R 5/0335;
H04R 1/1008; G09G 5/00; G02B 27/017
See application file for complete search history.

(56) **References Cited**

U.S. PATENT DOCUMENTS

4,175,217 A 11/1979 Williams
D299,337 S 1/1989 Wiegel
4,882,745 A 11/1989 Silver
D305,759 S 1/1990 Balbuena
4,930,148 A 5/1990 Lee
D309,890 S 8/1990 Cheng
5,003,589 A 3/1991 Chen
5,113,428 A 5/1992 Fitzgerald

FOREIGN PATENT DOCUMENTS

CA 98026 12/2002
CN 305326706 * 8/2019

(Continued)

Primary Examiner — Paula Allen Greene

(74) *Attorney, Agent, or Firm* — Hamre, Schumann,
Mueller & Larson, P.C.

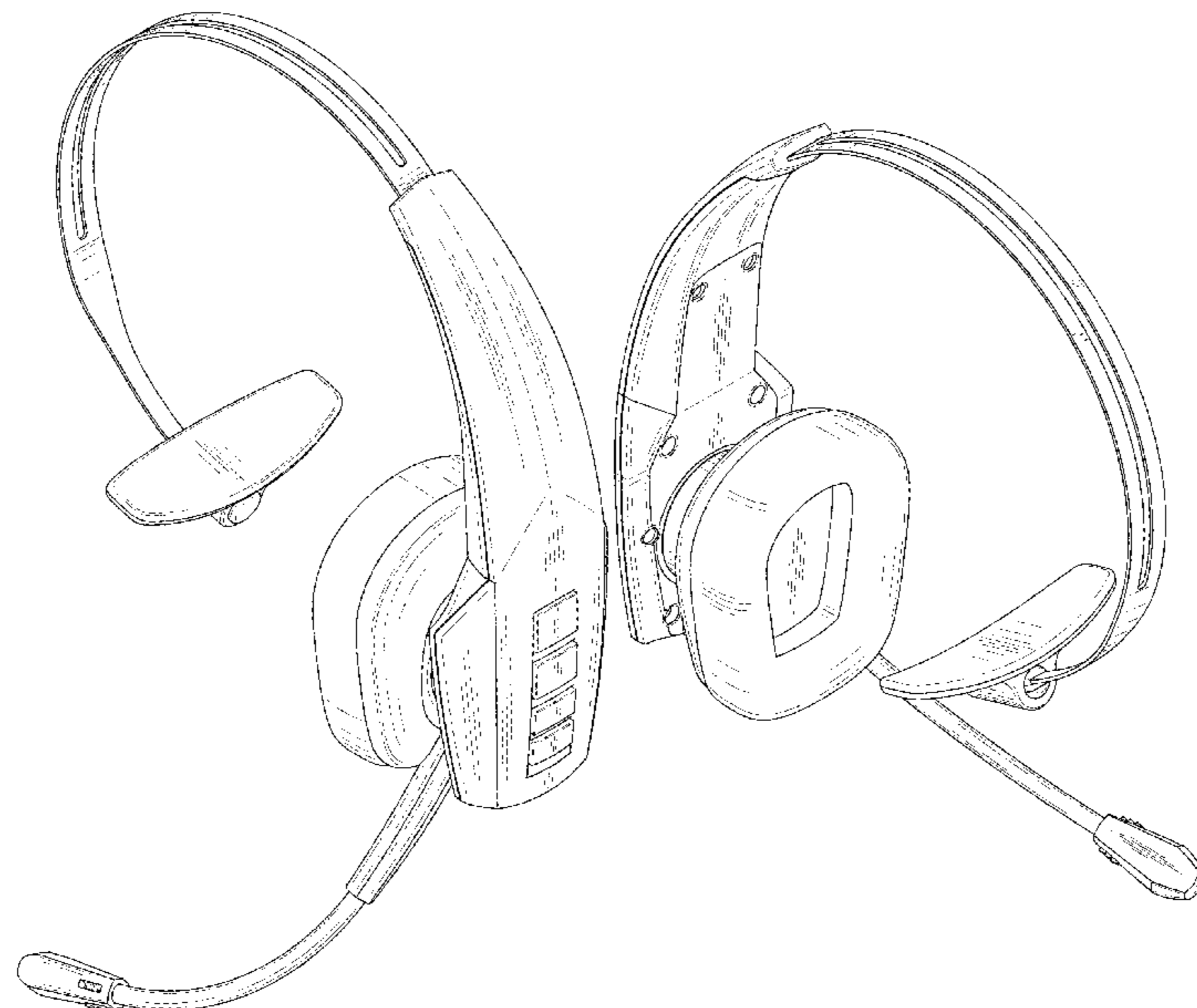
(57) **CLAIM**

The ornamental design for headset, as shown and described.

DESCRIPTION

FIG. 1 is a perspective top view of the headset.
FIG. 2 is a perspective bottom view thereof.
FIG. 3 is a front view thereof.
FIG. 4 is a rear view thereof.
FIG. 5 is a right view thereof.
FIG. 6 is a left view thereof.
FIG. 7 is a top view thereof; and,
FIG. 8 is a bottom view thereof.
The features shown in broken lines depict environmental
subject matter only and form no part of the claimed design.
Broken lines around circles in FIGS. 2 and 5 are boundary
lines disclaiming portions enclosed therein. Broken lines
around the USB connector in FIG. 8 are boundary lines
disclaiming portions enclosed therein.

1 Claim, 7 Drawing Sheets



(56)

References Cited

U.S. PATENT DOCUMENTS

5,721,775 A 2/1998 Leifer
 D394,058 S 5/1998 Fitzgerald
 D394,436 S 5/1998 Hall
 D402,575 S 12/1998 Jones
 D405,786 S 2/1999 Leifer
 6,055,312 A 4/2000 Pralus
 D429,229 S 8/2000 Fitzgerald
 6,154,539 A 11/2000 Pitel
 D436,348 S * 1/2001 McGugan D14/206
 D441,734 S 5/2001 Fitzgerald
 D443,870 S * 6/2001 Carpenter D14/206
 D449,290 S 10/2001 Taylor
 D456,379 S 4/2002 Fitzgerald
 6,622,029 B1 * 9/2003 Skulley H04M 1/05
 379/430
 D482,019 S * 11/2003 Petersen D14/206
 D488,146 S * 4/2004 Minto D14/206
 D491,917 S 6/2004 Asai
 6,754,361 B1 6/2004 Hall
 D497,357 S 10/2004 Allum
 D502,908 S 3/2005 Mahachanh
 D504,419 S 4/2005 Bey
 D504,887 S 5/2005 Skulley
 D505,413 S 5/2005 Skulley
 6,952,481 B2 10/2005 Larsen
 6,965,681 B2 11/2005 Almqvist
 D515,954 S 2/2006 Crosby et al.
 D517,528 S 3/2006 Skulley
 D518,479 S 4/2006 Skulley
 7,031,475 B2 4/2006 Kuraoka
 D519,990 S 5/2006 Lazor
 D529,900 S 10/2006 Skulley
 D530,702 S * 10/2006 Pritchard D14/206
 D535,980 S 1/2007 Bentley
 D537,815 S 3/2007 Bentley
 D539,788 S 4/2007 Thompson
 D539,789 S 4/2007 Rausch
 D540,303 S 4/2007 Rausch
 D540,313 S 4/2007 Rausch
 D540,778 S * 4/2007 Thompson D14/206
 7,245,737 B2 * 7/2007 Amae H04R 1/1066
 381/374
 7,391,863 B2 6/2008 Viduya
 D587,684 S * 3/2009 Ham D14/205
 7,519,196 B2 4/2009 Bech
 D601,543 S * 10/2009 Bentley D14/206
 D602,002 S 10/2009 Asai
 D617,781 S 6/2010 Kallas

D628,189 S * 11/2010 Rath D14/206
 D638,000 S * 5/2011 Hoggarth D14/206
 D638,397 S 5/2011 McManigal
 D641,337 S * 7/2011 Brandis D14/206
 D654,471 S 2/2012 Fischer
 8,181,607 B2 5/2012 Kim
 D667,814 S 9/2012 Abell
 D668,240 S * 10/2012 Brandis D14/206
 D673,524 S * 1/2013 Brennwald D14/206
 D691,110 S * 10/2013 Ham D14/205
 D712,875 S 9/2014 Katori
 D716,258 S * 10/2014 Awiszus D14/206
 D716,259 S * 10/2014 Awiszus D14/206
 D732,002 S * 6/2015 Goransson D14/206
 D747,557 S 1/2016 Bonney
 9,398,361 B1 * 7/2016 Jaques H04R 1/08
 D763,228 S * 8/2016 Carr D14/206
 9,429,958 B2 8/2016 Asai
 D786,826 S 5/2017 Esses
 9,729,958 B2 * 8/2017 Jaques H04R 1/1041
 D806,676 S * 1/2018 Fuglsang D14/206
 D820,812 S * 6/2018 Bidwell D14/206
 D824,362 S 7/2018 Probst
 D847,781 S 5/2019 Chen
 D851,628 S 6/2019 Wernblad
 D851,629 S 6/2019 Summerson
 D868,607 S 12/2019 Li
 D878,332 S * 3/2020 Tsubone D14/206
 D880,448 S * 4/2020 Jaques D14/205
 D882,544 S * 4/2020 Paterson D14/205
 D883,829 S 5/2020 Nytko et al.
 D896,203 S 9/2020 Tong
 D898,701 S * 10/2020 Zhong D14/206
 D918,172 S * 5/2021 Jaques D14/206
 D926,151 S * 7/2021 Zhong D14/206
 D927,456 S * 8/2021 Paterson D14/206
 2002/0003889 A1 1/2002 Fischer
 2005/0201569 A1 9/2005 Kuraoka
 2011/0135134 A1 * 6/2011 Essabar H04R 1/1033
 381/374
 2012/0163616 A1 6/2012 Birch
 2013/0329905 A1 12/2013 Awiszus

FOREIGN PATENT DOCUMENTS

CN 306992069 * 12/2021
 CN 307034689 * 12/2021
 CN 307034701 * 12/2021
 KR 300677721.0000 1/2013

* cited by examiner

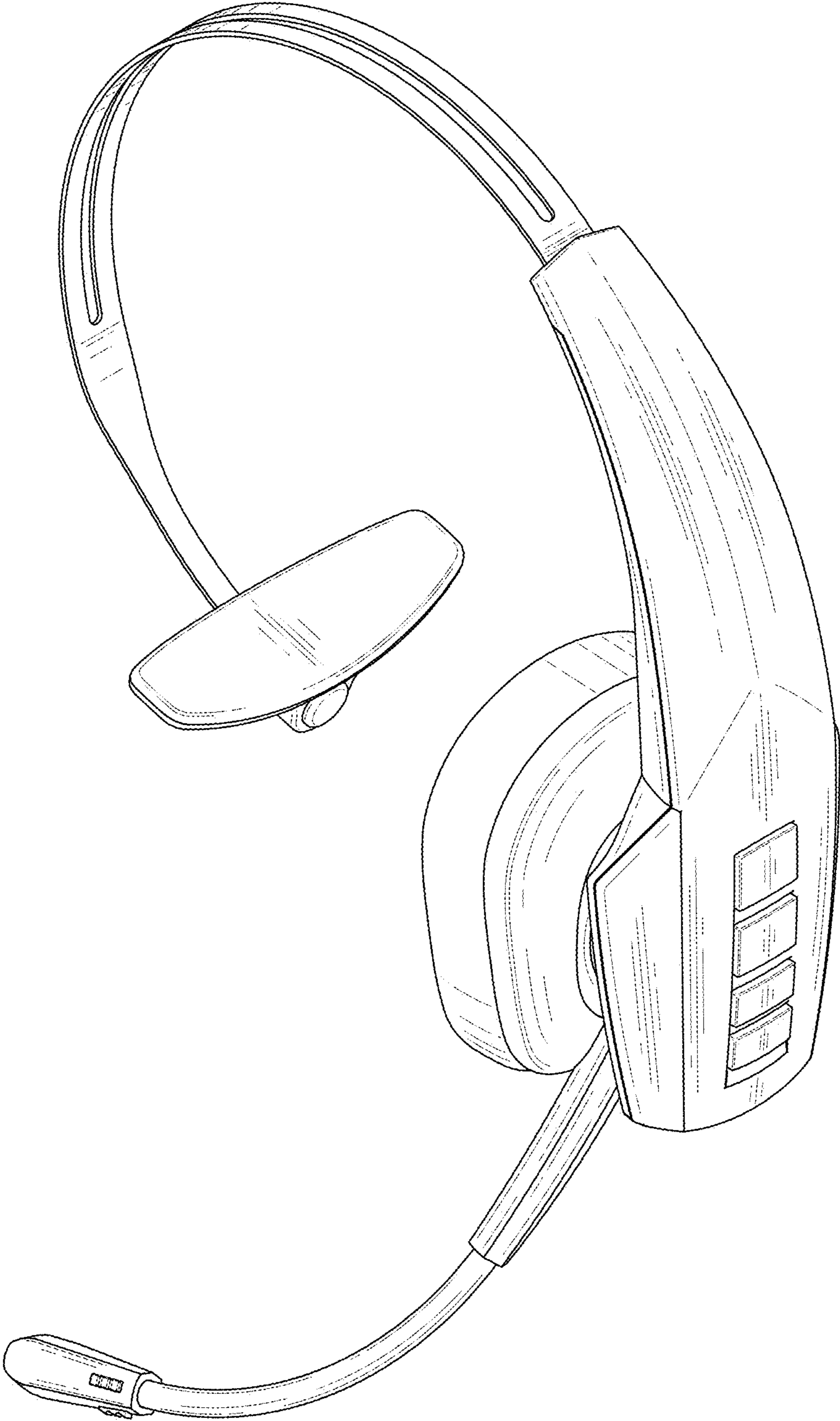


FIG. 1

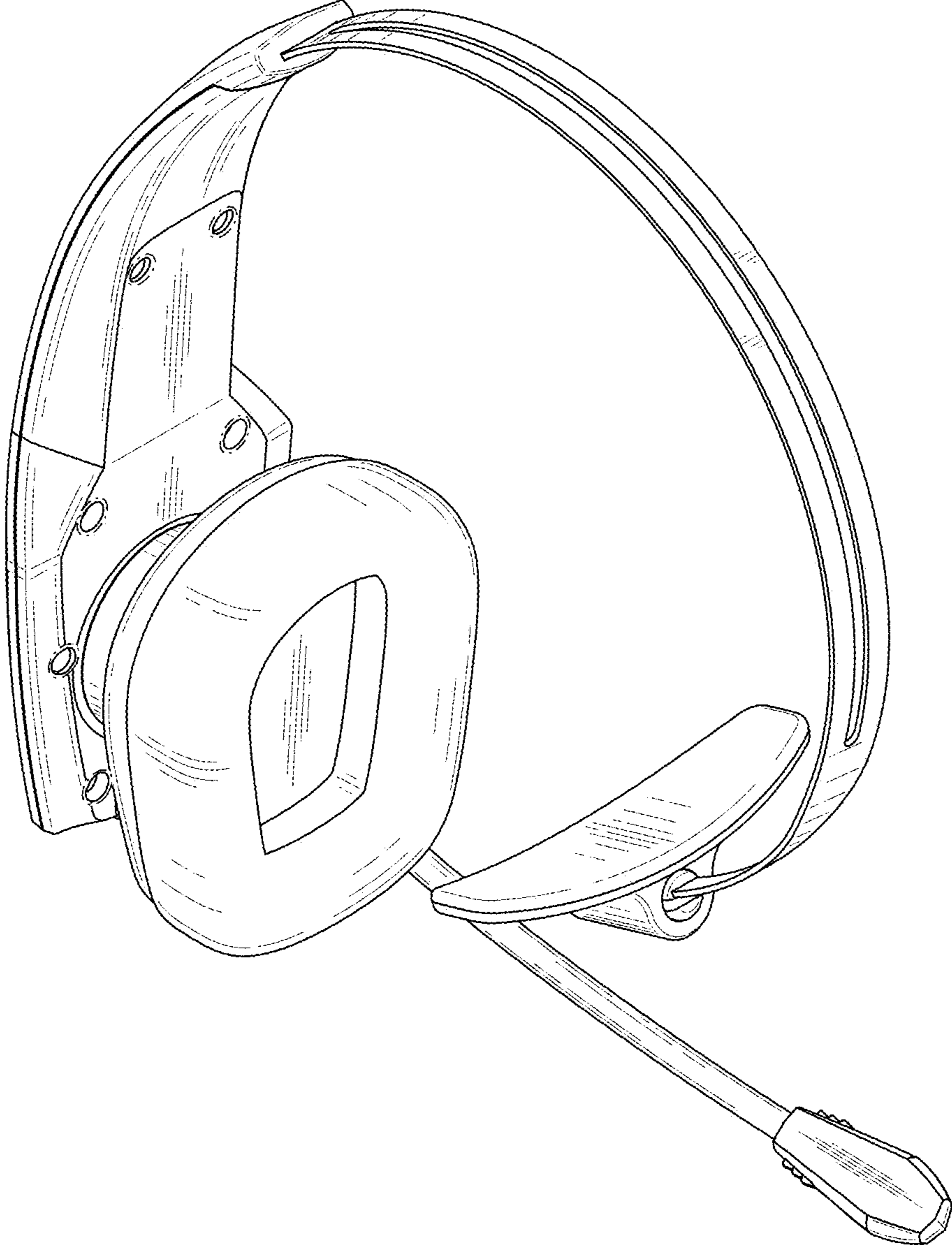


FIG. 2

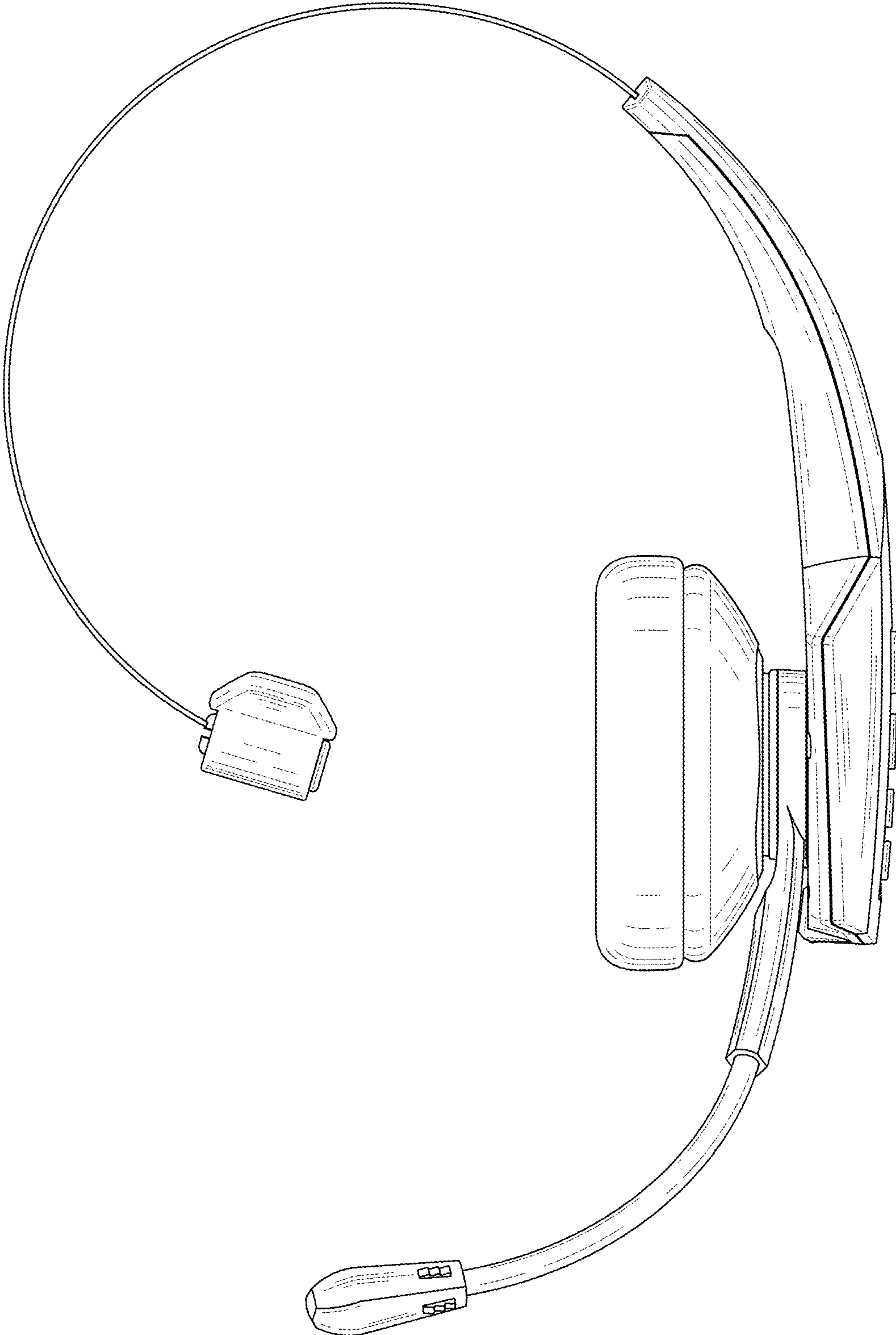


FIG. 3

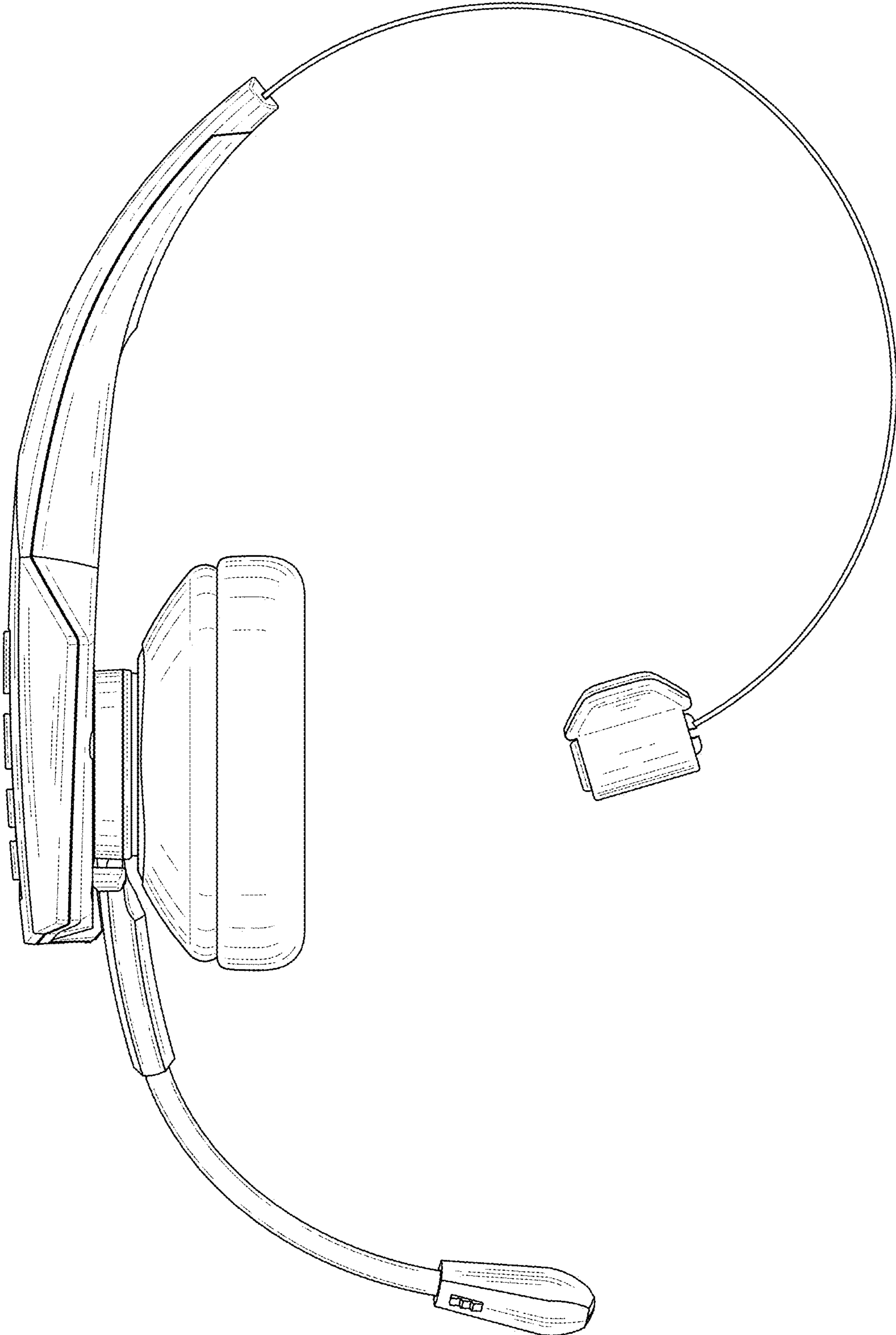


FIG. 4

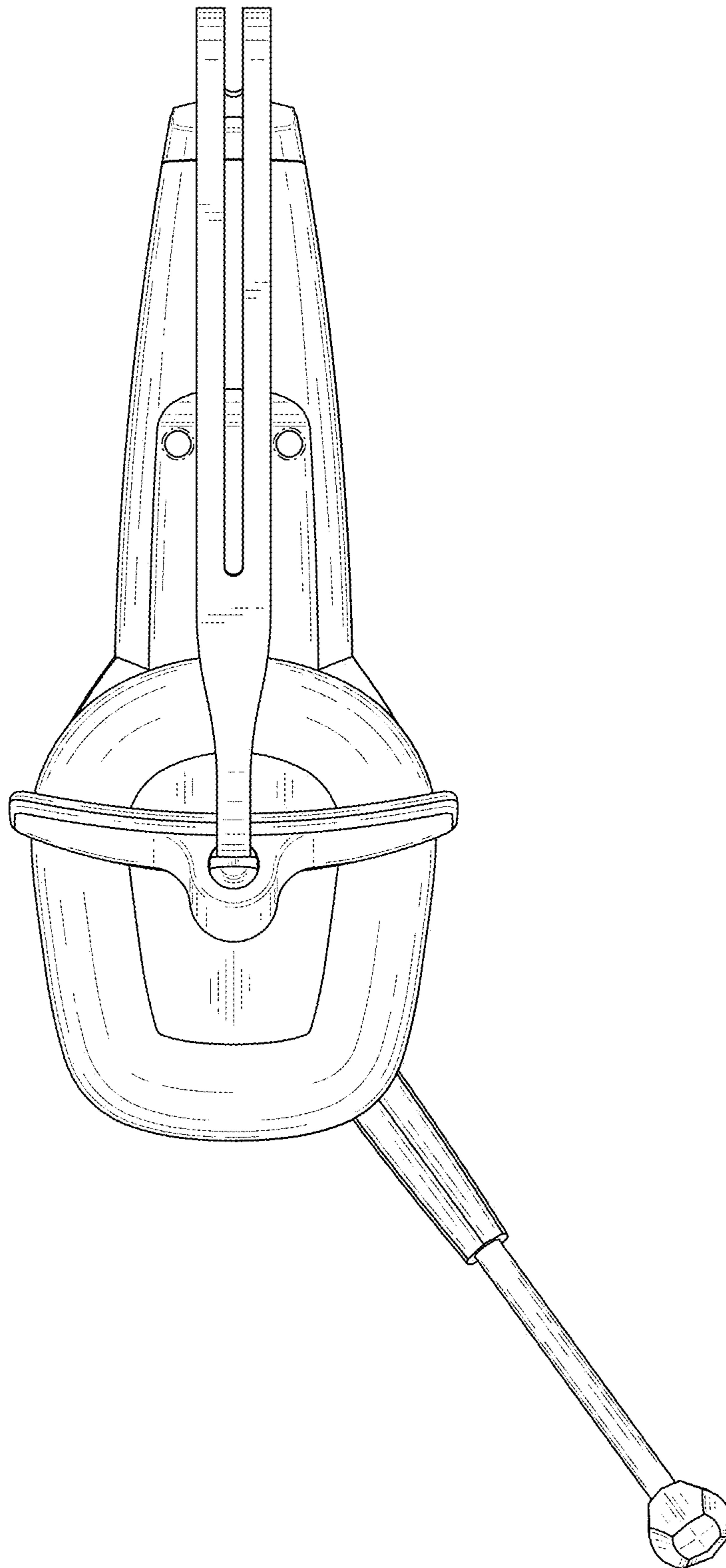


FIG. 5

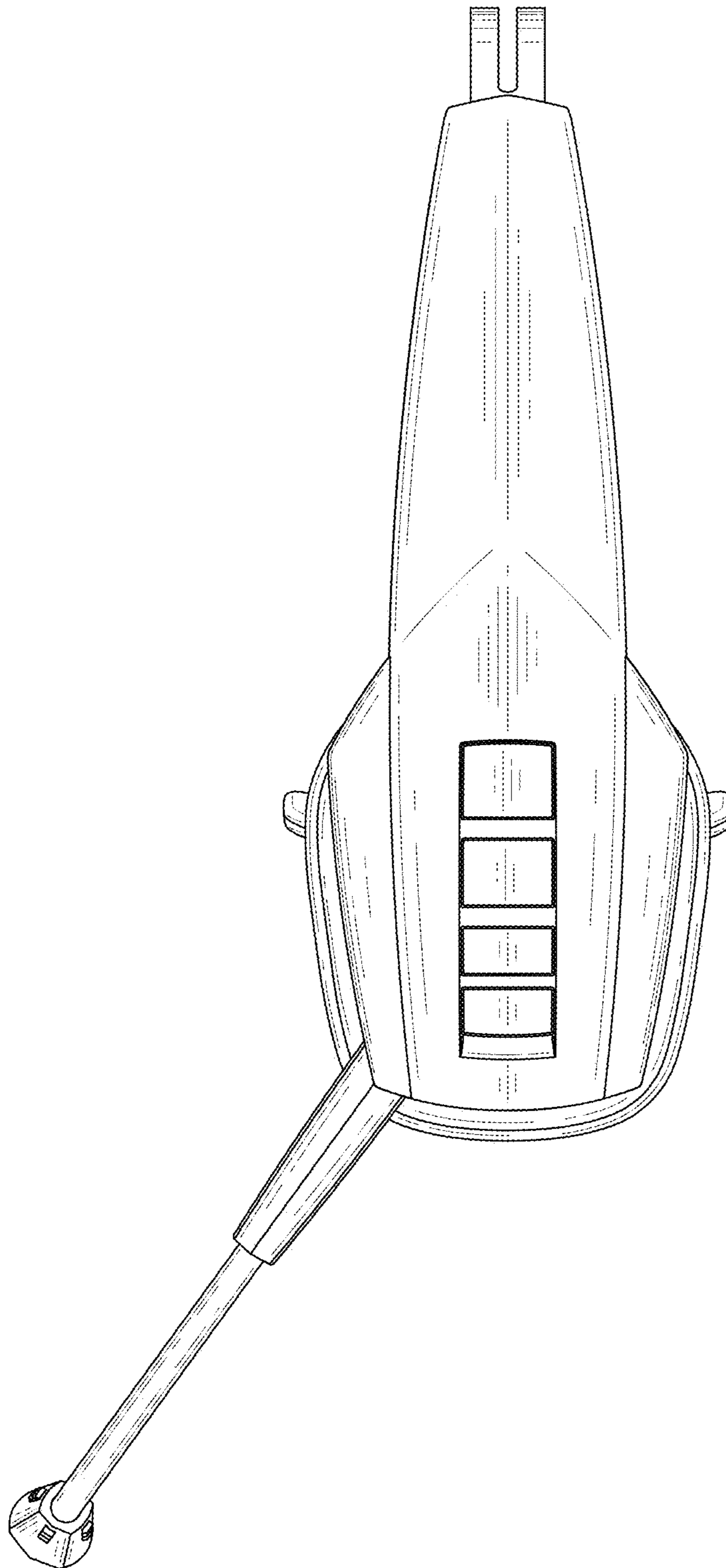


FIG. 6

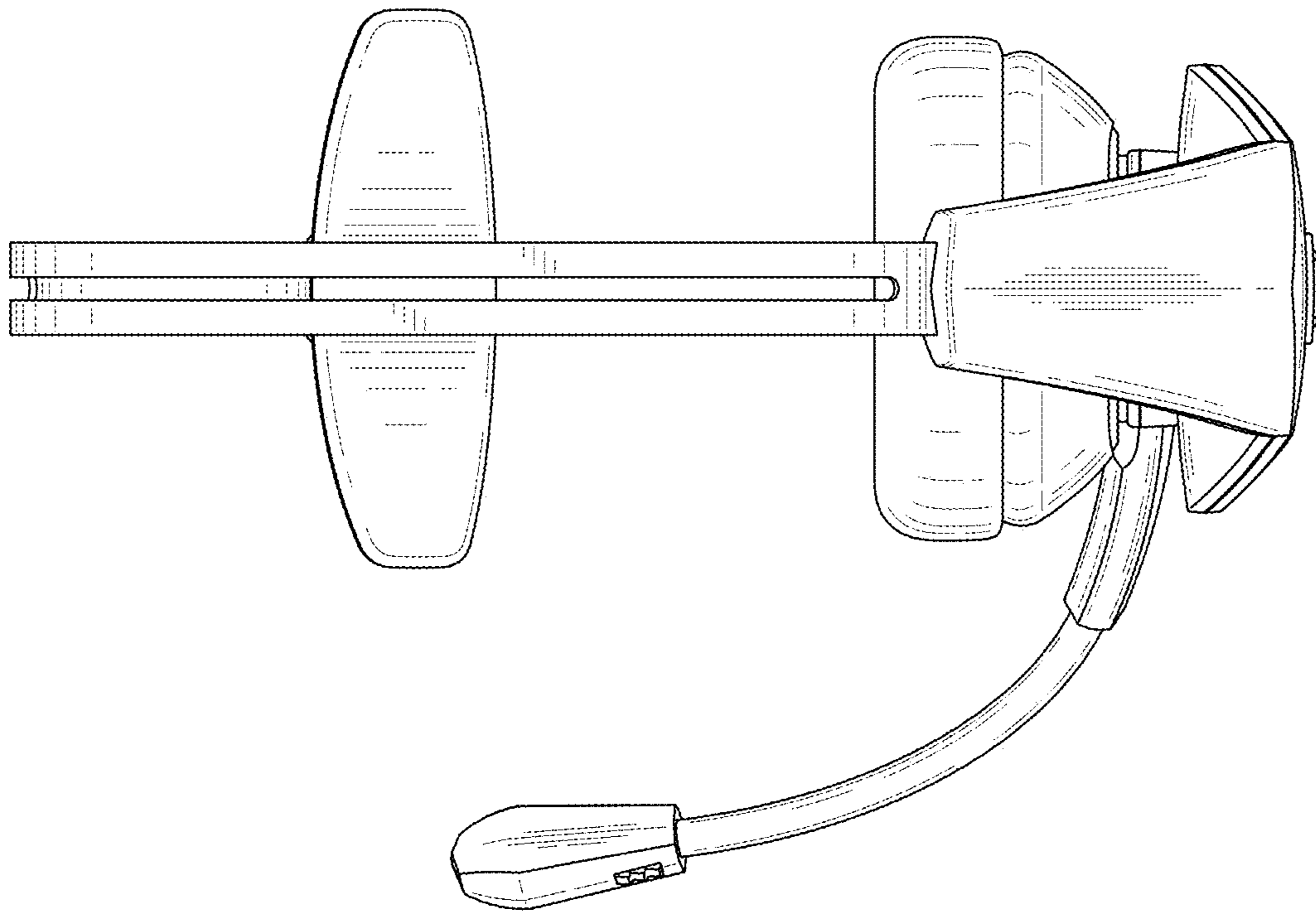


FIG. 7

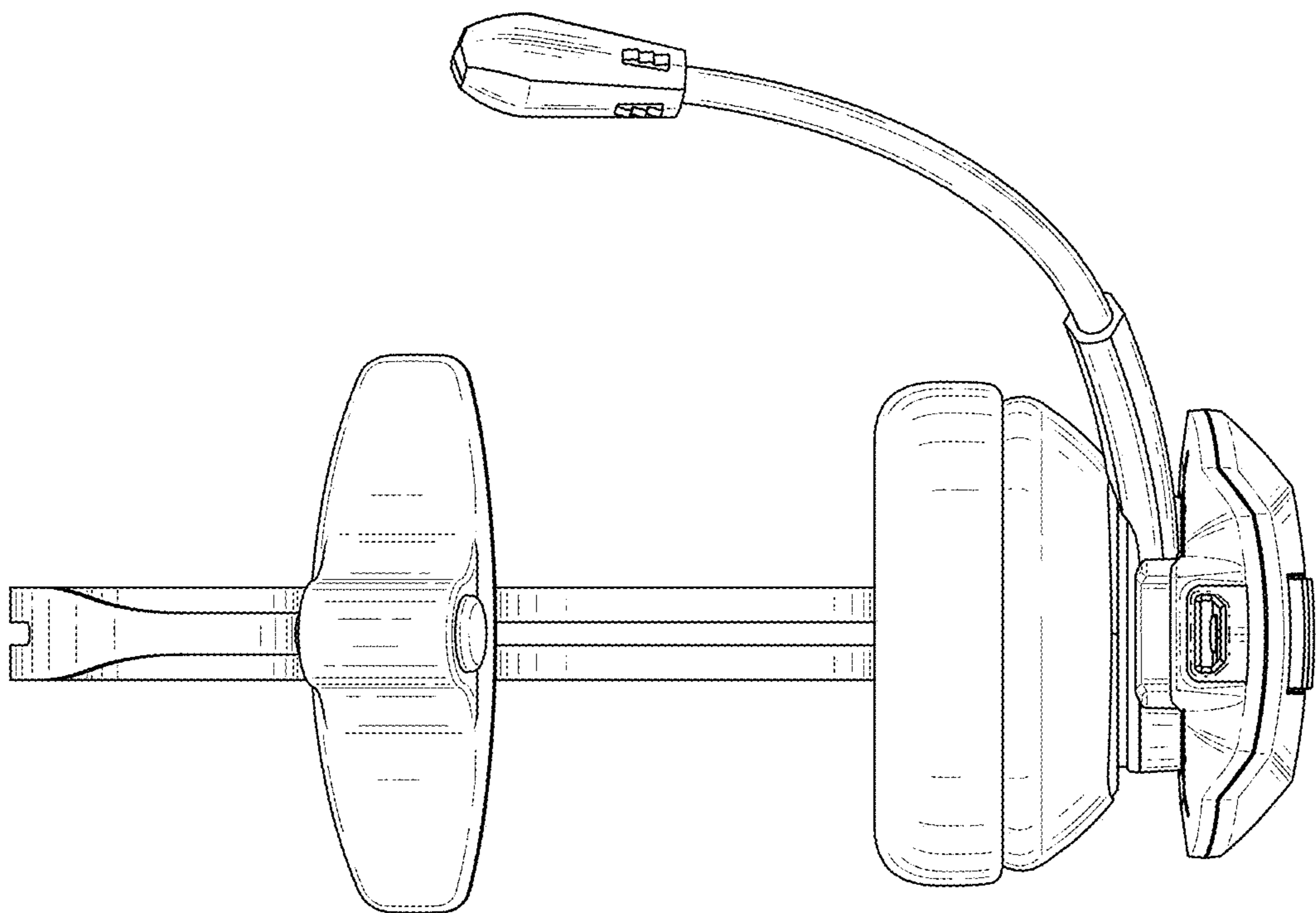


FIG. 8