

US00D956013S

(12) **United States Design Patent**
Bellham et al.

(10) **Patent No.:** **US D956,013 S**
(45) **Date of Patent:** **** *Jun. 28, 2022**

(54) **HEADPHONES**
(71) Applicant: **GN AUDIO A/S**, Ballerup (DK)
(72) Inventors: **Philip Bellham**, Ballerup (DK);
Rasmus Trudslev Pedersen, Ballerup
(DK); **Bill Zeng**, Ballerup (DK)
(73) Assignee: **GN Audio A/S**, Ballerup (DK)
(*) Notice: This patent is subject to a terminal dis-
claimer.
(**) Term: **15 Years**

D518,479 S * 4/2006 Skulley D14/225
D530,307 S * 10/2006 Rath D14/206
D531,165 S * 10/2006 Rath D14/206
7,172,052 B2 * 2/2007 Lenhard-Backhaus
H04R 1/1066
181/129
D549,688 S * 8/2007 Suzuki D14/205
D601,543 S * 10/2009 Bentley D14/206
D602,001 S * 10/2009 Bentley D14/206
D603,370 S * 11/2009 Suzuki D14/205
D628,189 S * 11/2010 Rath D14/206
D634,732 S * 3/2011 Kondo D14/205
D643,405 S * 8/2011 Rath D14/206
D653,649 S * 2/2012 Yang D14/206
D654,471 S * 2/2012 Fischer D14/206
D654,472 S * 2/2012 Fischer D14/206

(Continued)

(21) Appl. No.: **29/738,537**
(22) Filed: **Jun. 18, 2020**
(30) **Foreign Application Priority Data**

Dec. 19, 2019 (EM) 007433701

(51) **LOC (13) Cl.** **14-01**
(52) **U.S. Cl.**
USPC **D14/206; D14/226**

(58) **Field of Classification Search**
USPC D14/206, 205, 226, 225, 188, 192;
D29/112; 2/209; 381/380, 381, 370, 74,
381/374; 455/90.3, 575.1, 569.1
CPC H04R 25/00; H04R 25/02; H04R 19/04;
H04R 1/10; H04R 1/1066; H04R 1/1016;
H04R 5/033; H04R 5/0335; H04R 1/105;
H04R 1/1091

See application file for complete search history.

(56) **References Cited**

U.S. PATENT DOCUMENTS

D299,337 S * 1/1989 Wiegel D14/206
6,560,346 B2 * 5/2003 Ohta H04R 1/083
381/382
6,970,572 B2 * 11/2005 Murozaki H04R 1/105
381/381
D517,528 S * 3/2006 Skulley D14/206

FOREIGN PATENT DOCUMENTS

EM 006884623-0001 * 9/2019
EM 008207286-0001 * 10/2020

(Continued)

Primary Examiner — Paula Allen Greene

(74) *Attorney, Agent, or Firm* — Hamre, Schumann,
Mueller & Larson, P.C.

(57) **CLAIM**

The ornamental design for a headphones, as shown and
described.

DESCRIPTION

FIG. 1 is a front perspective view of headphones showing
the new design.

FIG. 2 is a front view thereof.

FIG. 3 is a rear view thereof.

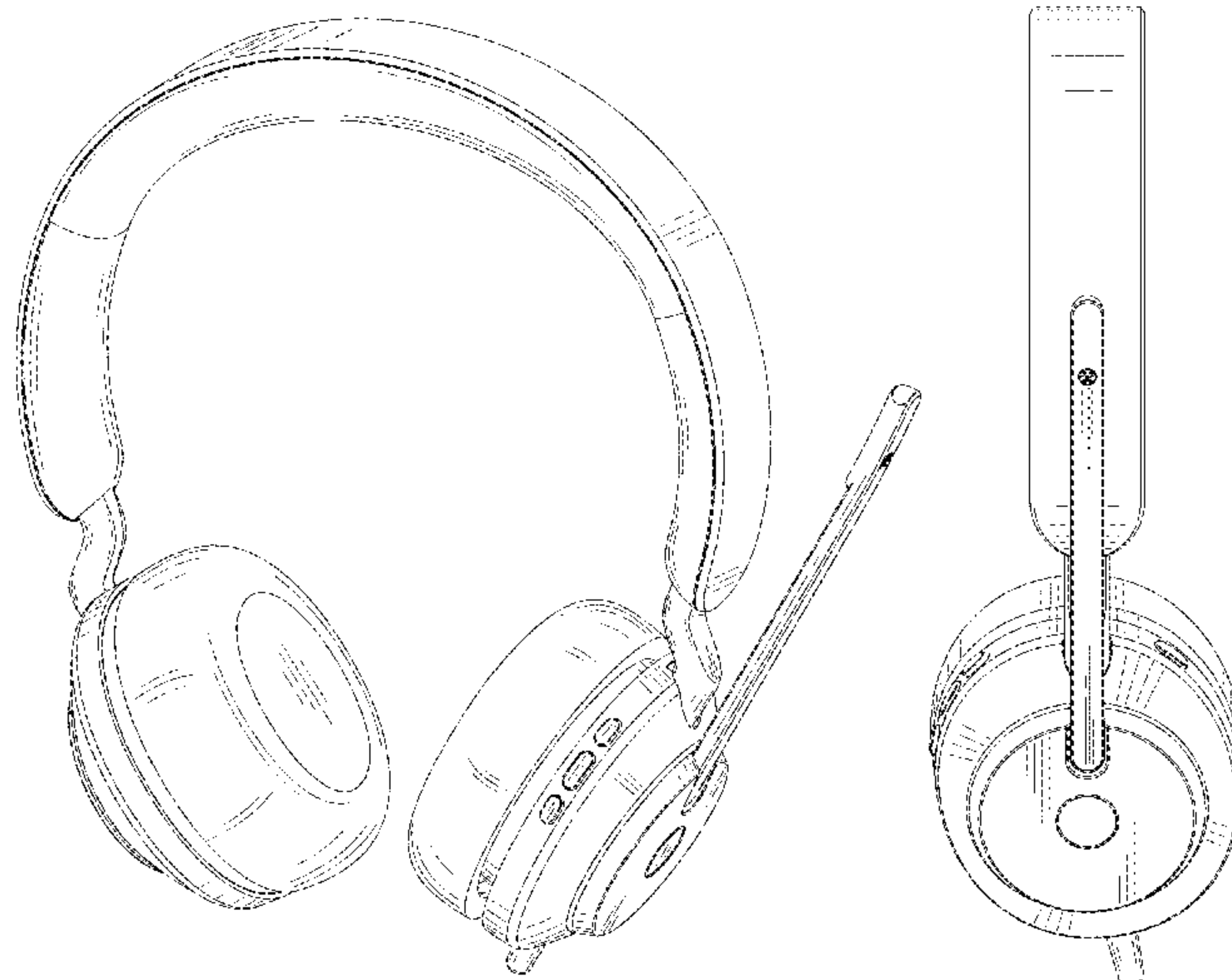
FIG. 4 is a right view thereof.

FIG. 5 is a left view thereof.

FIG. 6 is a top view thereof; and,

FIG. 7 is a bottom view thereof.

1 Claim, 6 Drawing Sheets



(56)

References Cited

U.S. PATENT DOCUMENTS

D662,080 S * 6/2012 Carr D14/205
 D666,168 S * 8/2012 Rath D14/206
 D667,388 S * 9/2012 Kelley D14/206
 D691,113 S * 10/2013 Gougherty D14/206
 D707,655 S * 6/2014 Porter H04M 1/05
 D709,860 S * 7/2014 Brunner H04R 1/1008
 D711,348 S * 8/2014 Yang D14/205
 D715,762 S * 10/2014 Chong D14/195
 D716,258 S * 10/2014 Awiszus D14/206
 D716,259 S * 10/2014 Awiszus D14/206
 D716,760 S * 11/2014 Brunner D14/206
 D725,074 S * 3/2015 Boeckel D14/205
 D725,628 S * 3/2015 Tompkin D14/205
 D728,512 S * 5/2015 Nakagawa D14/205
 9,036,849 B2 * 5/2015 Thompson H04R 1/083
 D732,503 S * 6/2015 Brunner H04R 1/1008
 D764,435 S * 8/2016 Brunner D14/205
 9,426,554 B2 * 8/2016 Dai H04M 1/6058
 D775,104 S * 12/2016 Lee D14/205
 D778,874 S * 2/2017 Lin D14/205

D782,999 S * 4/2017 Spio D14/206
 9,706,281 B2 * 7/2017 Hernandez Vazquez
 H04R 1/08
 D838,687 S * 1/2019 Wu D14/205
 D843,349 S * 3/2019 Burgess D14/206
 D864,156 S * 10/2019 Liu D14/206
 D875,073 S * 2/2020 Pedersen D14/206
 D881,843 S * 4/2020 Hu D14/206
 D913,988 S * 3/2021 Bellham D14/205
 D942,414 S 2/2022 Liu
 2005/0238189 A1 * 10/2005 Tsai H04R 1/1075
 381/309
 2009/0238397 A1 * 9/2009 Reiss H04R 1/1083
 381/375
 2010/0040252 A1 * 2/2010 Thompson H04R 1/083
 381/375
 2011/0194721 A1 * 8/2011 Schmidt H04M 1/05
 381/370
 2012/0328119 A1 * 12/2012 Heise H04R 1/1066
 381/74
 2020/0389719 A1 * 12/2020 Morris H04R 1/1066

FOREIGN PATENT DOCUMENTS

EM 008274146-0001 * 11/2020
 GB 6102171 * 9/2020

* cited by examiner



FIG. 1



FIG. 2



FIG. 3

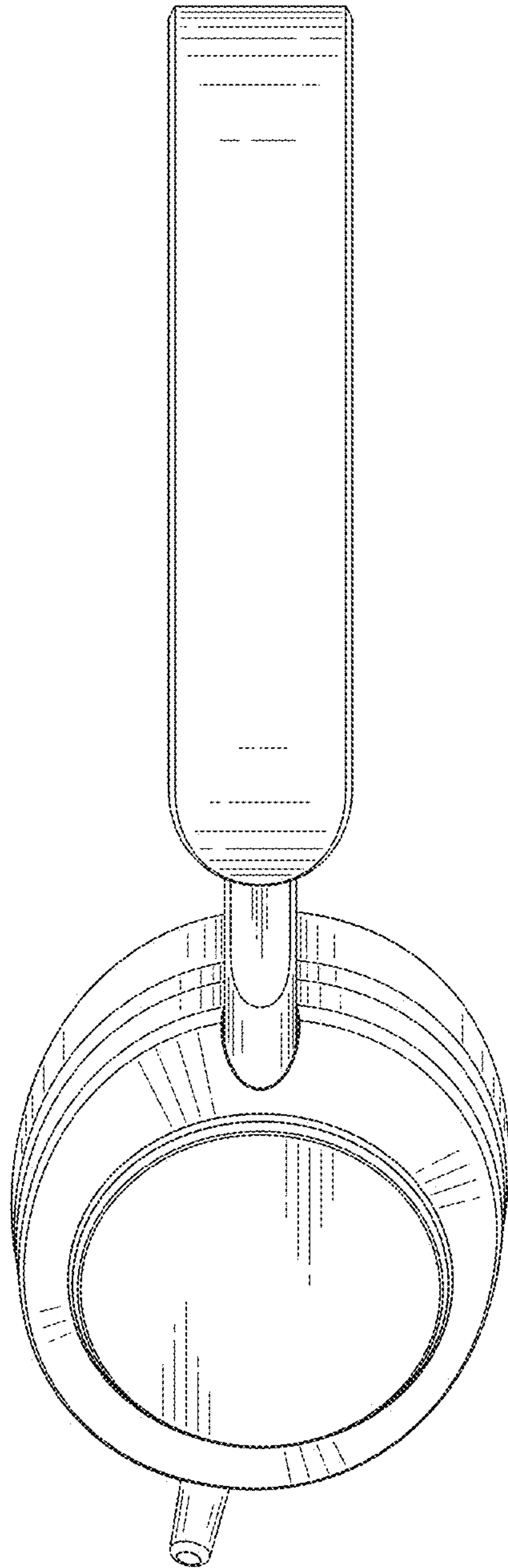


FIG. 4

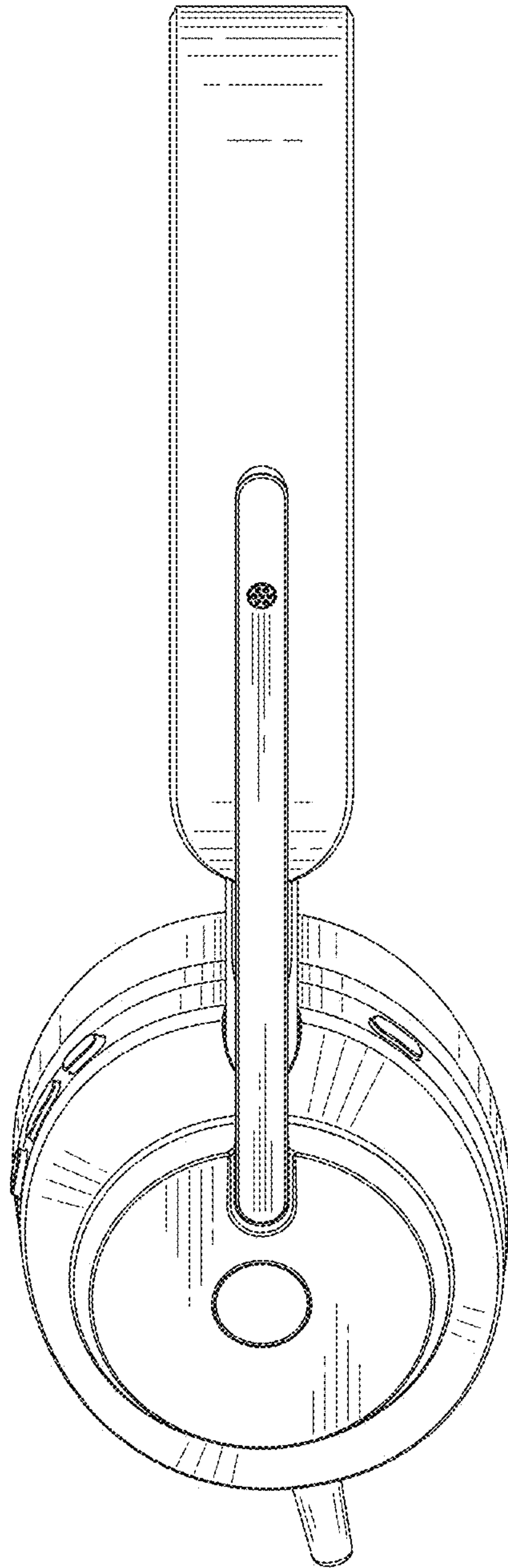


FIG. 5

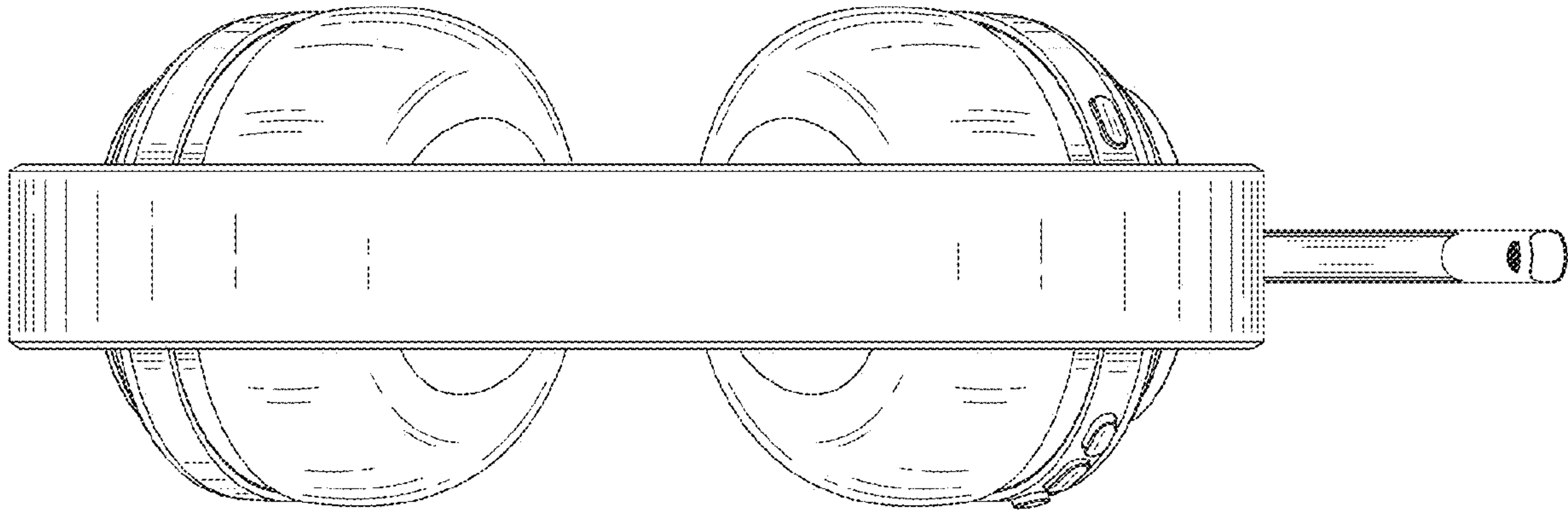


FIG. 6

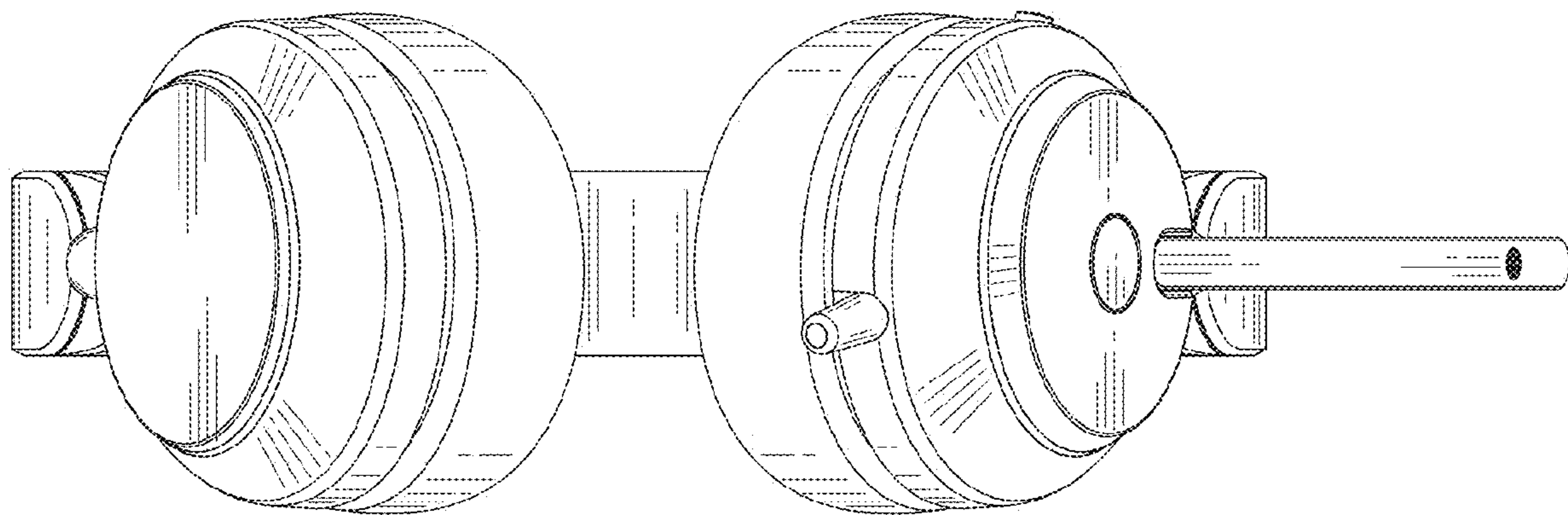


FIG. 7