



US00D956011S

(12) **United States Design Patent**
He et al.

(10) **Patent No.: US D956,011 S**
(45) **Date of Patent: ** *Jun. 28, 2022**

- (54) **KID HEADPHONES**
- (71) Applicant: **SHENZHEN THOUSANDSHORES TECHNOLOGY CO., LTD.**, Shenzhen (CN)
- (72) Inventors: **Ding He**, Shenzhen (CN); **Zhi Liu**, Shenzhen (CN); **Jinying Zhao**, Shenzhen (CN); **Hailong Zhou**, Shenzhen (CN)
- (*) Notice: This patent is subject to a terminal disclaimer.
- (**) Term: **15 Years**

5,018,599 A *	5/1991	Dohi	H04R 1/1008
			181/129
5,951,141 A *	9/1999	Bradley	F21V 21/084
			362/105
D431,550 S *	10/2000	Yoneda	D14/205
D484,485 S *	12/2003	Matsuoka	D14/205
D491,163 S *	6/2004	Green	D14/205
6,918,678 B2 *	7/2005	McClanahan	F21V 33/0052
			362/105
D520,492 S *	5/2006	Chen	D14/205
D531,165 S *	10/2006	Rath	D14/206
D534,155 S *	12/2006	Obata	D14/205
D541,255 S *	4/2007	Taylor	D14/205
D600,674 S *	9/2009	Brennwald	D14/205
D657,344 S *	4/2012	Brunner	D14/205
D662,490 S *	6/2012	McSweyn	D14/205

(Continued)

- (21) Appl. No.: **29/761,769**
- (22) Filed: **Dec. 11, 2020**
- (51) **LOC (13) Cl.** **14-01**
- (52) **U.S. Cl.**
USPC **D14/205**
- (58) **Field of Classification Search**
USPC D14/205, 188, 192; D29/112; 2/209;
362/105; 381/380, 381, 374; 455/90.3,
455/575.1, 569.1
CPC F21V 21/084; F21V 33/00; H04R 1/1066;
H04R 1/1016; H04R 5/033; H04R
5/0225; H04R 1/008; H04R 25/00; H04R
25/02; H04R 1/1091
See application file for complete search history.

FOREIGN PATENT DOCUMENTS

EM	008319362-0001	*	12/2020
EM	008591523-0001	*	6/2021

(Continued)

Primary Examiner — Paula Allen Greene

(56) **References Cited**
U.S. PATENT DOCUMENTS

3,488,457 A *	1/1970	Lahti	H04R 1/1008
			381/371
D223,256 S *	4/1972	Thomson	D14/205
4,409,442 A *	10/1983	Kamimura	H04R 5/0335
			381/370
D272,904 S *	3/1984	Kawano	D14/205
4,829,571 A *	5/1989	Kakiuchi	H04R 5/04
			381/309

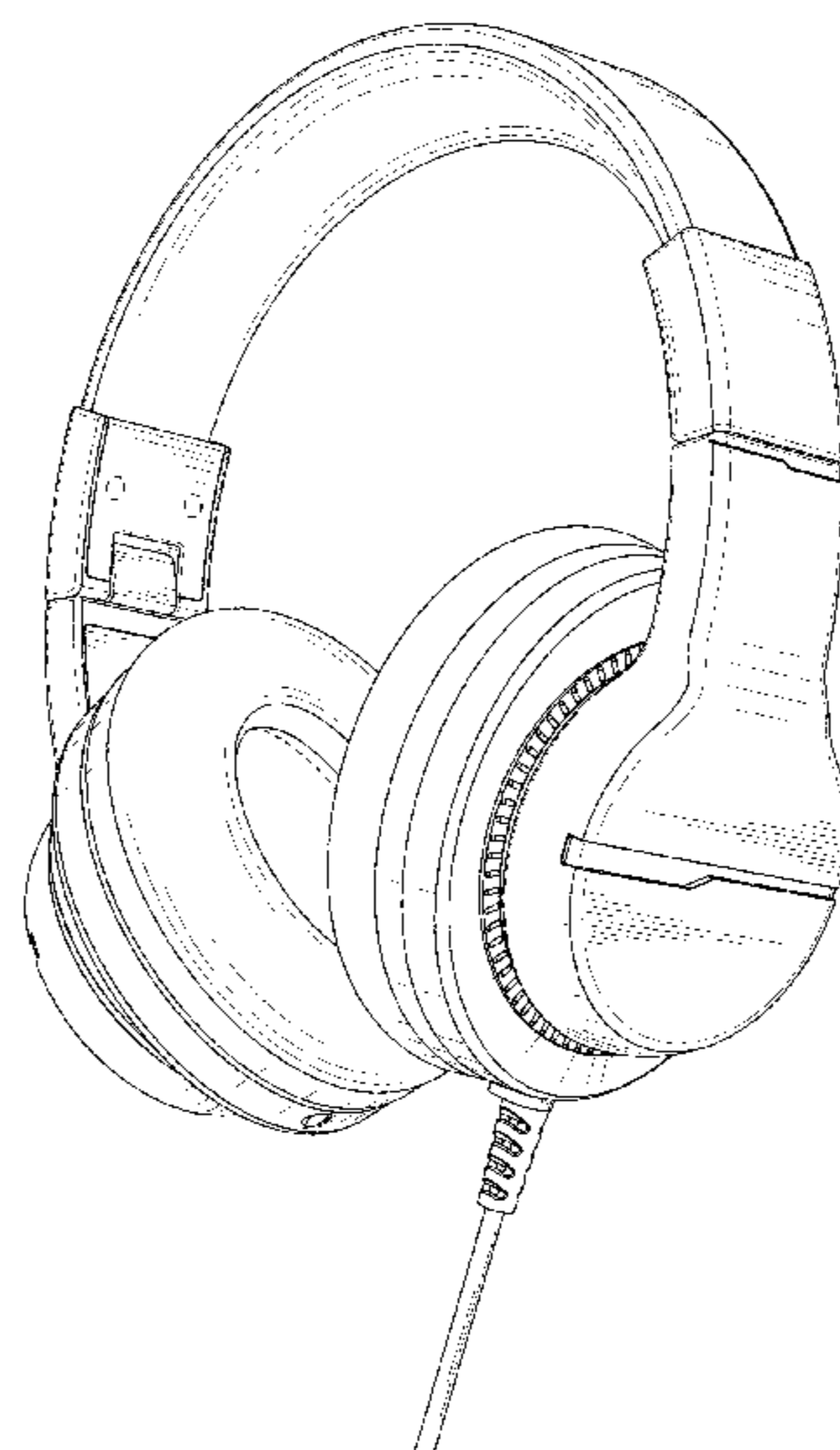
(57) **CLAIM**

The ornamental design for a kid headphones, as shown and described.

DESCRIPTION

FIG. 1 is a perspective view of a kid headphones showing my new design;
 FIG. 2 is a front view thereof;
 FIG. 3 is a rear view thereof;
 FIG. 4 is a left side view thereof;
 FIG. 5 is a right side view thereof;
 FIG. 6 is a top plan view thereof; and,
 FIG. 7 is a bottom plan view thereof.
 The broken lines in the figures illustrate portions of the kid headphones that form no part of the claimed design.

1 Claim, 6 Drawing Sheets



(56)

References Cited

U.S. PATENT DOCUMENTS

D663,716 S * 7/2012 Hardi D14/205
 D672,744 S * 12/2012 Scarpa D14/205
 D673,136 S * 12/2012 Kelly D14/205
 D689,464 S * 9/2013 Bonahoom D14/206
 D691,111 S * 10/2013 Lee D14/206
 D720,721 S * 1/2015 Lu D14/205
 D723,509 S * 3/2015 Garland D14/205
 D725,636 S * 3/2015 McNamara D14/223
 D739,843 S * 9/2015 Daniel D14/205
 D769,219 S * 10/2016 Ohmachi D14/205
 D811,364 S * 2/2018 Park D14/205
 D845,927 S * 4/2019 Wang D14/206
 D852,776 S * 7/2019 Zhu D14/205
 D858,483 S * 9/2019 Hu D14/205
 D870,698 S * 12/2019 Long D14/206
 D871,367 S * 12/2019 Zhijun D14/205
 D876,392 S * 2/2020 Zhou D14/206
 D886,078 S * 6/2020 He D14/206
 D888,008 S * 6/2020 Yook D14/205
 D890,131 S * 7/2020 Shen D14/206

D893,452 S * 8/2020 Yook D14/205
 D894,867 S * 9/2020 Choe D14/205
 D894,869 S * 9/2020 Tang D14/206
 D904,339 S * 12/2020 Wang D14/205
 D914,637 S * 3/2021 Shen D14/206
 D916,681 S * 4/2021 He D14/205
 D929,364 S * 8/2021 Futo D14/205
 D931,831 S * 9/2021 Liu D14/206
 D935,441 S * 11/2021 Liu D14/206
 2008/0226114 A1* 9/2008 Thompson H04R 1/1016
 381/380
 2018/0058681 A1* 3/2018 Arave F21V 21/084
 2019/0189106 A1* 6/2019 Hull H04R 1/1008
 2019/0379962 A1* 12/2019 Navid H04R 1/38
 2020/0288234 A1* 9/2020 Fletcher H04R 1/1008

FOREIGN PATENT DOCUMENTS

EM 008634927-0001 * 7/2021
 EM 008731046-0001 * 10/2021
 GB 6109991 * 12/2020

* cited by examiner



FIG. 1



FIG. 2



FIG. 3

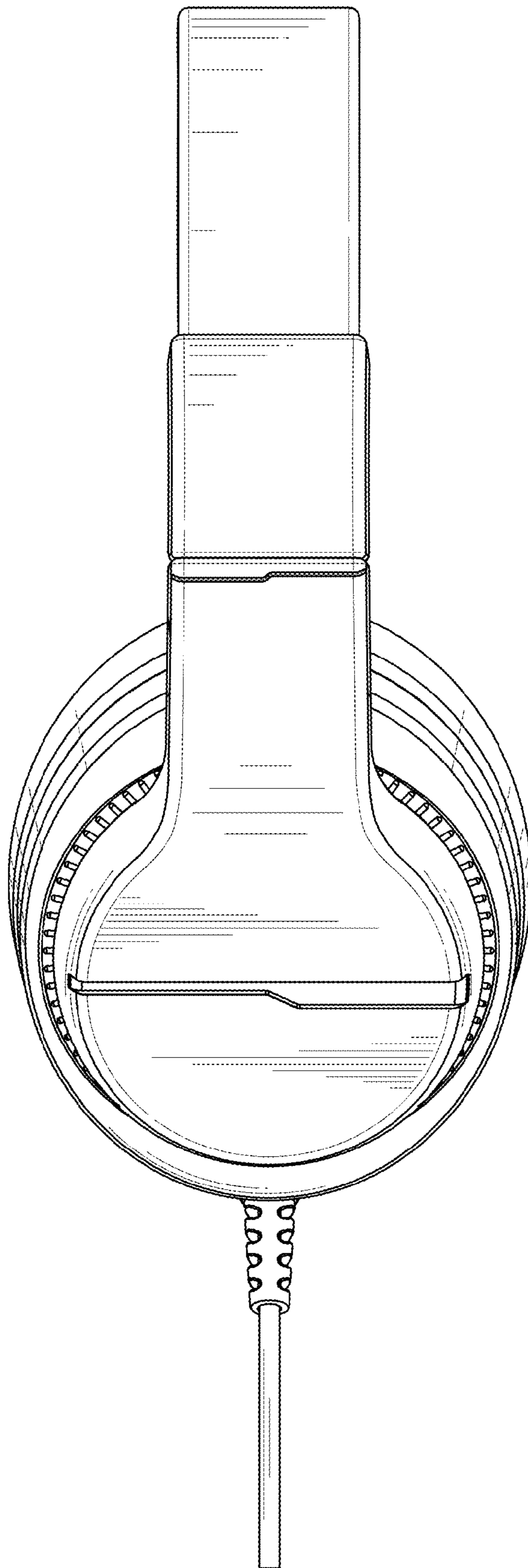


FIG. 4

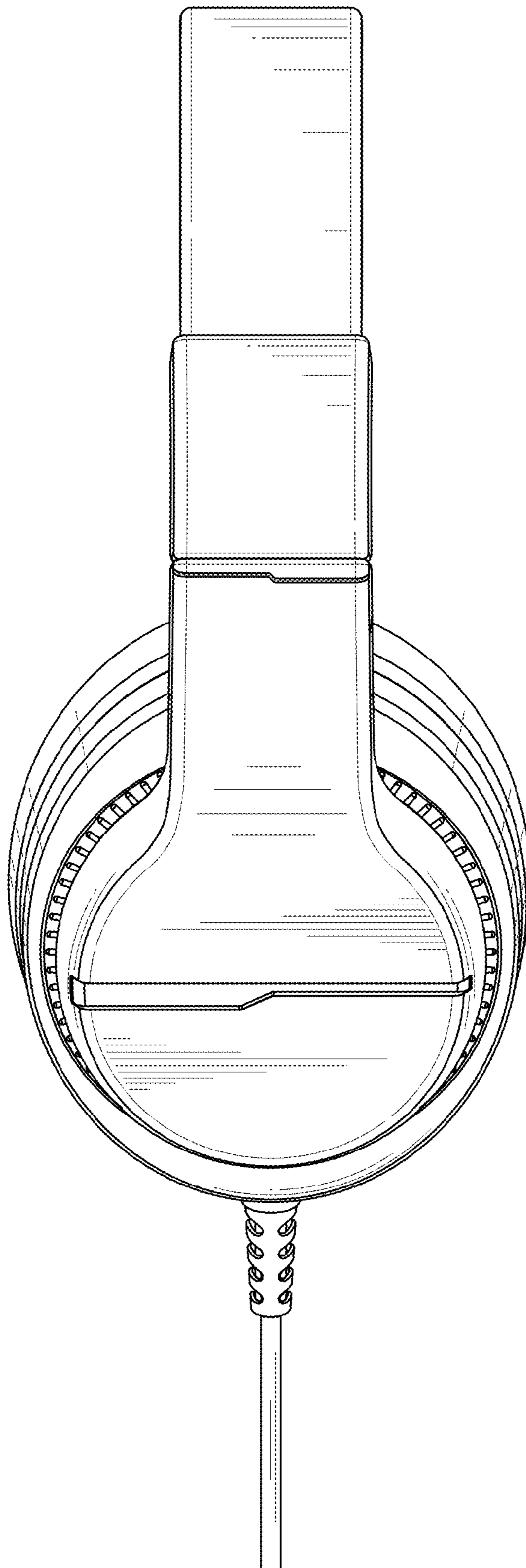


FIG. 5

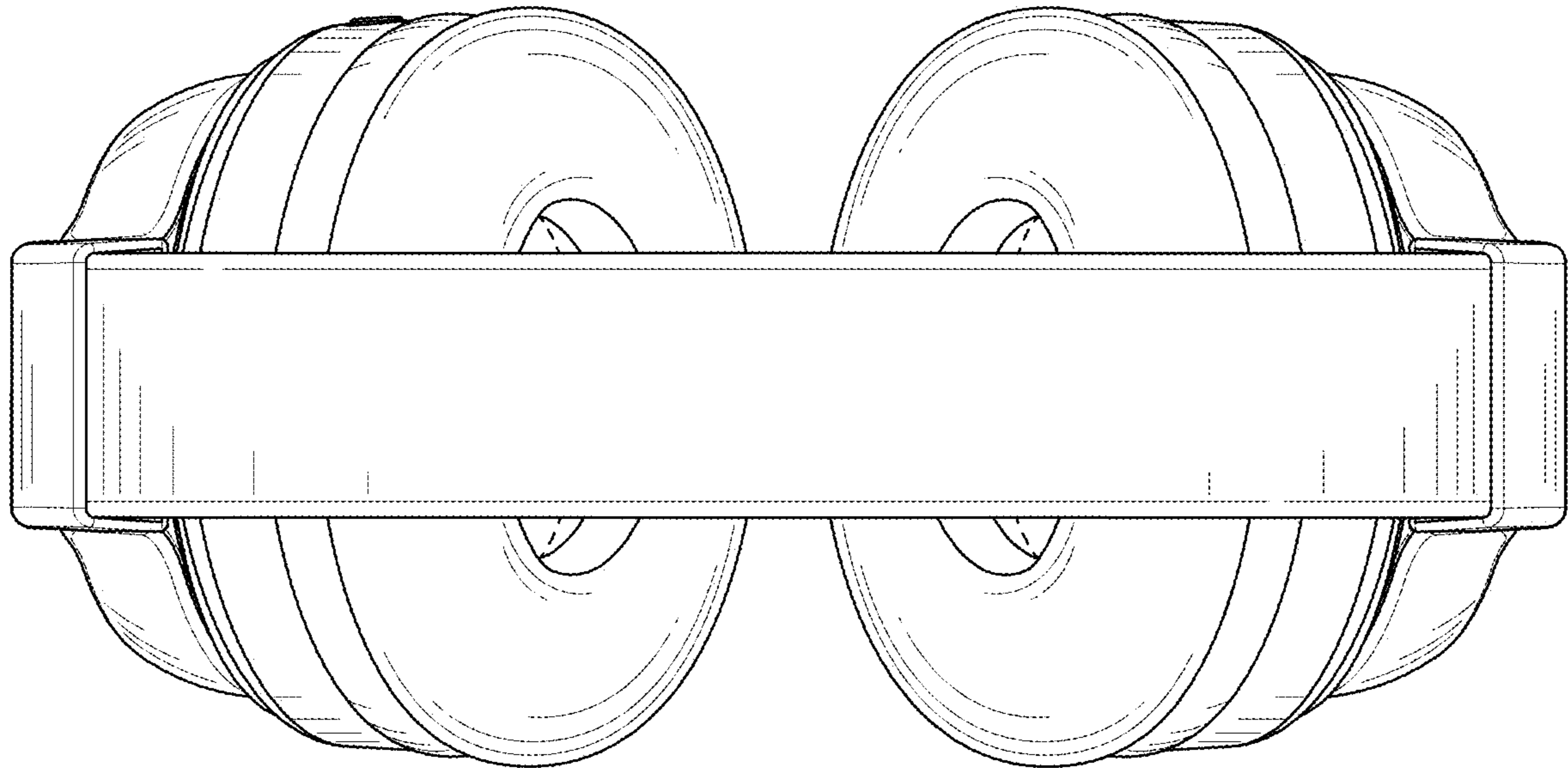


FIG. 6

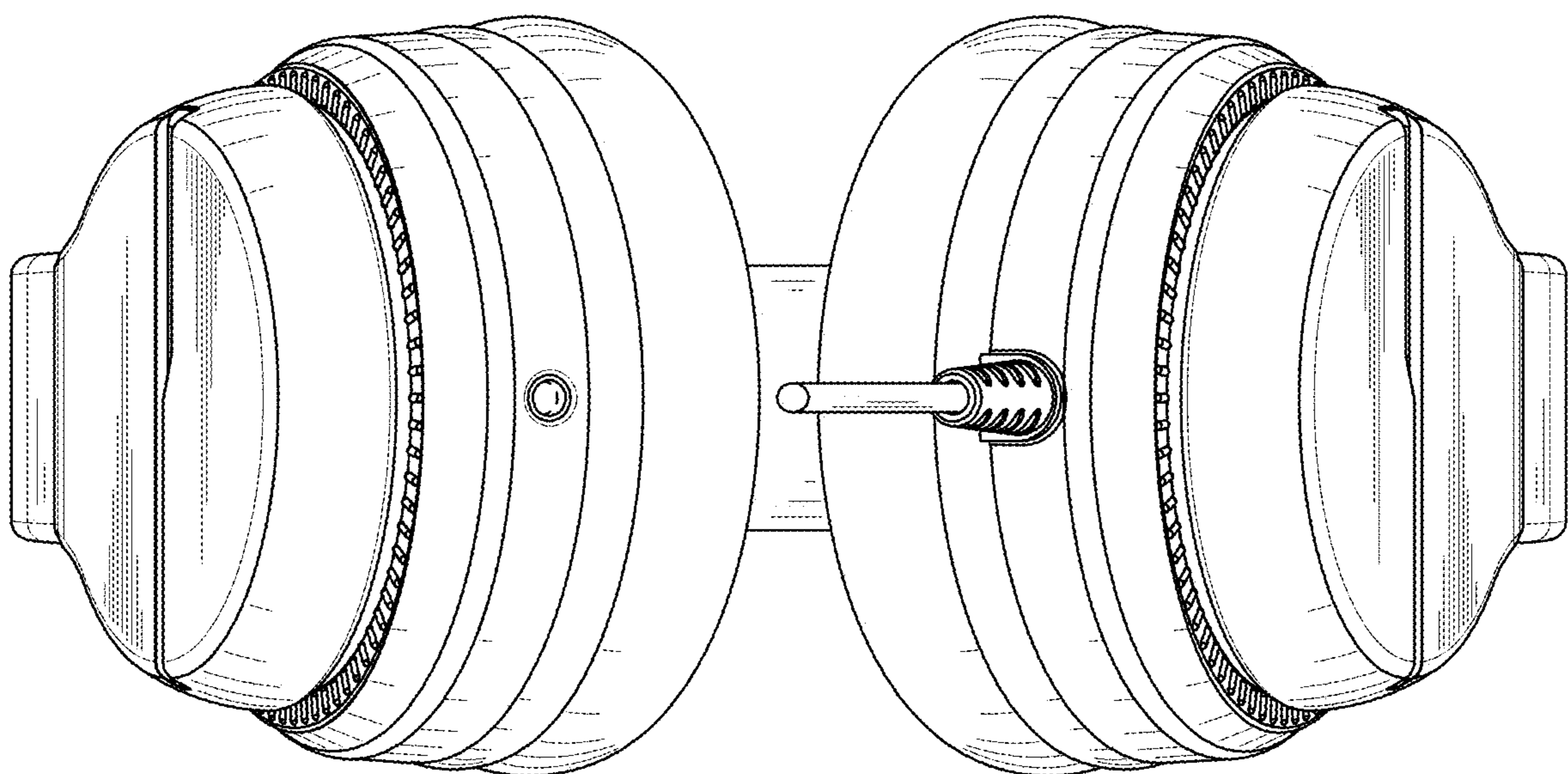


FIG. 7