



US00D956010S

(12) **United States Design Patent**
Han

(10) **Patent No.:** **US D956,010 S**

(45) **Date of Patent:** **** Jun. 28, 2022**

(54) **DRIVING RECORDER**

(71) Applicant: **Shenzhen Chuangyisheng Technology Co., Ltd.**, Shenzhen (CN)

(72) Inventor: **Ruijiang Han**, Zhanjiang (CN)

(73) Assignee: **Shenzhen Chuangyisheng Technology Co., Ltd.**, Shenzhen (CN)

(**) Term: **15 Years**

(21) Appl. No.: **29/766,151**

(22) Filed: **Jan. 13, 2021**

(51) **LOC (13) Cl.** **14-01**

(52) **U.S. Cl.**
USPC **D14/167**

(58) **Field of Classification Search**
USPC D14/167, 154, 168, 188, 496, 156, 160, D14/161, 162, 163, 164, 165, 158, 203.1, D14/341, 346, 342, 345, 225, 226, 228, D14/227, 214; 455/351, 350; D19/60, D19/62; D21/330; 369/44.14, 44.32; 700/94; D16/202
CPC H04N 13/004; H04N 5/85; H04N 9/8227; H04N 13/0055; H04N 19/597; H04N 19/61; H04N 21/42646; H04N 21/4325; H04N 1/234327; G11B 27/034; G11B 27/11

See application file for complete search history.

(56) **References Cited**

U.S. PATENT DOCUMENTS

D486,469 S *	2/2004	Morita	D16/208
D548,220 S *	8/2007	Takagi	D16/208
D580,908 S *	11/2008	Nakamura	D14/167
D624,524 S *	9/2010	Terzigni	D14/167
D630,193 S *	1/2011	Bennett	D14/167
D718,734 S *	12/2014	Lockenwitz	D14/155
D913,261 S *	3/2021	Chen	D14/167
D937,240 S *	11/2021	Chen	D14/167

* cited by examiner

Primary Examiner — Austin Murphy

(74) *Attorney, Agent, or Firm* — Georgi Korobanov

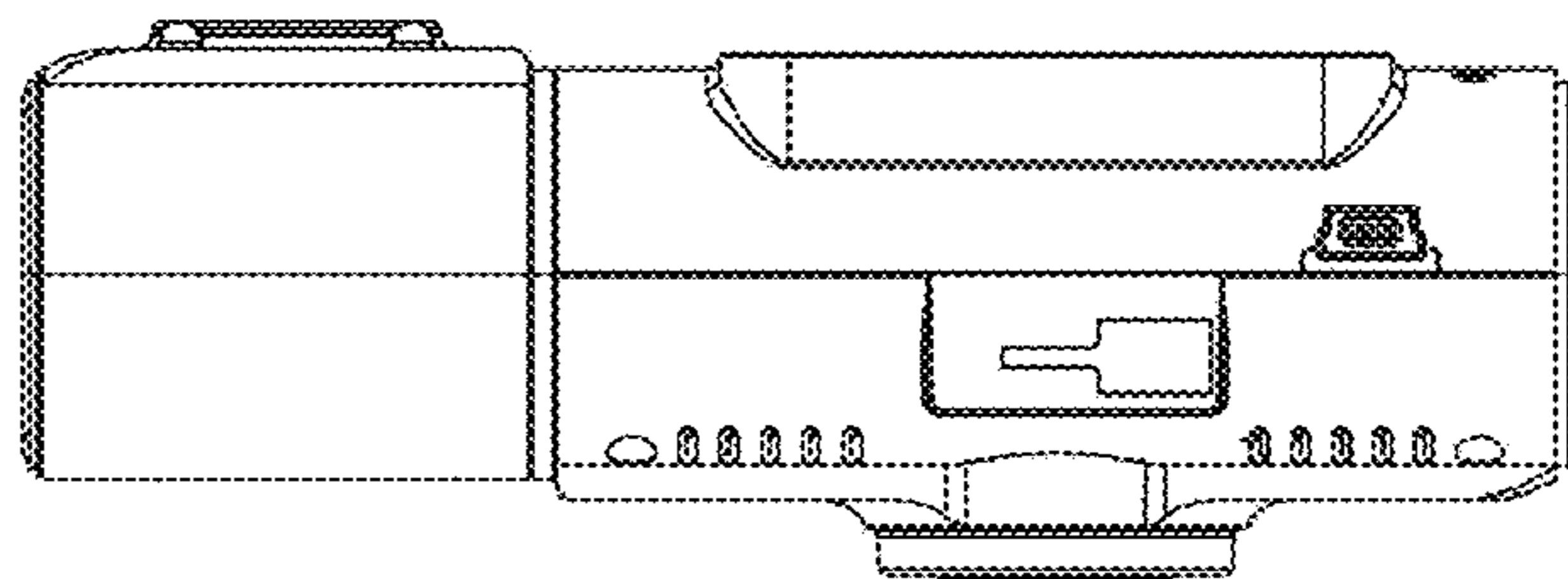
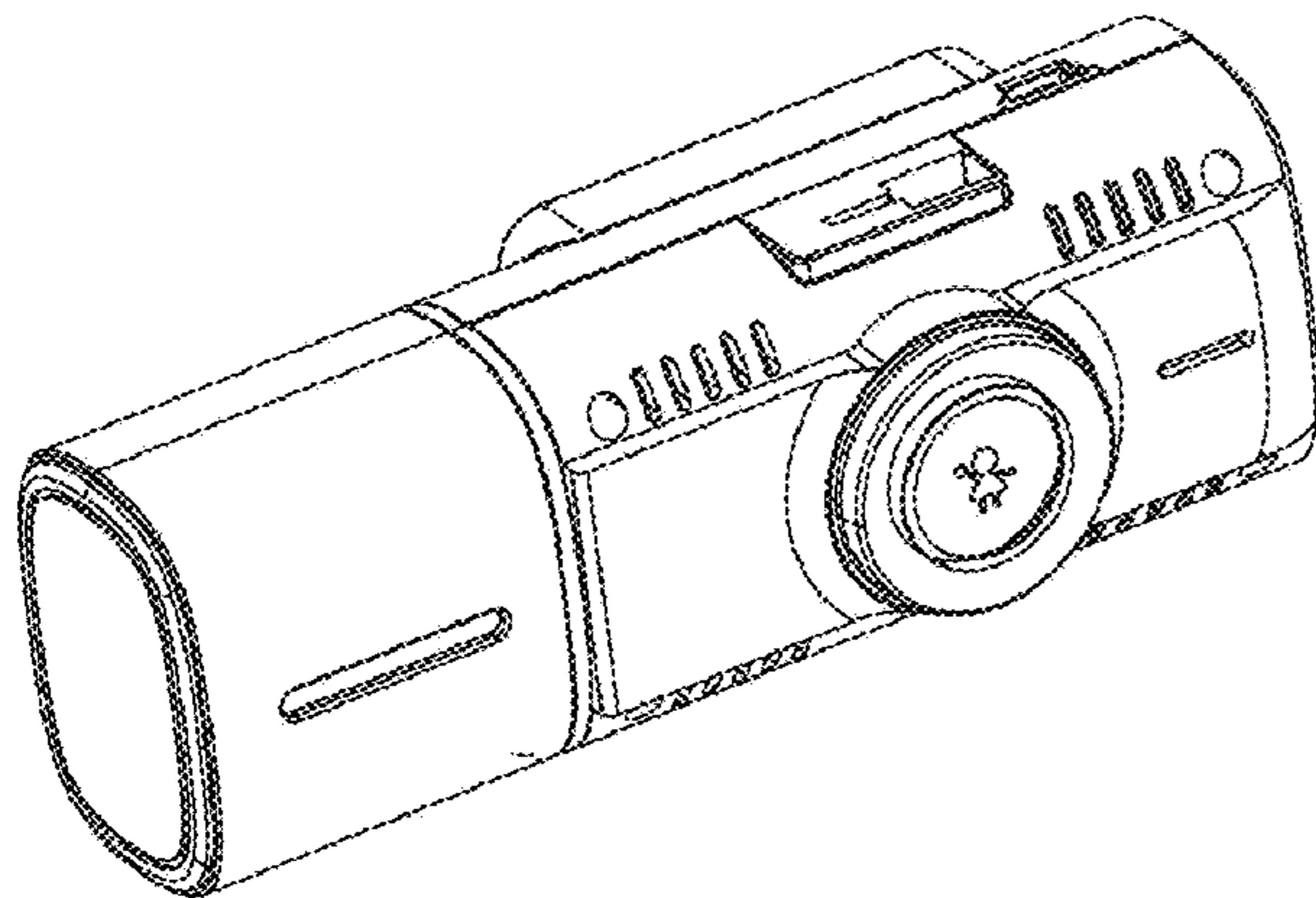
(57) **CLAIM**

The ornamental design for a driving recorder, as shown and described.

DESCRIPTION

FIG. 1 is a perspective view of a driving recorder showing my new design;
FIG. 2 is a front view thereof;
FIG. 3 is a rear view thereof;
FIG. 4 is a left side view thereof;
FIG. 5 is a right side view thereof;
FIG. 6 is a top plan view thereof;
FIG. 7 is a bottom plan view thereof; and,
FIG. 8 is another perspective view thereof.

1 Claim, 8 Drawing Sheets



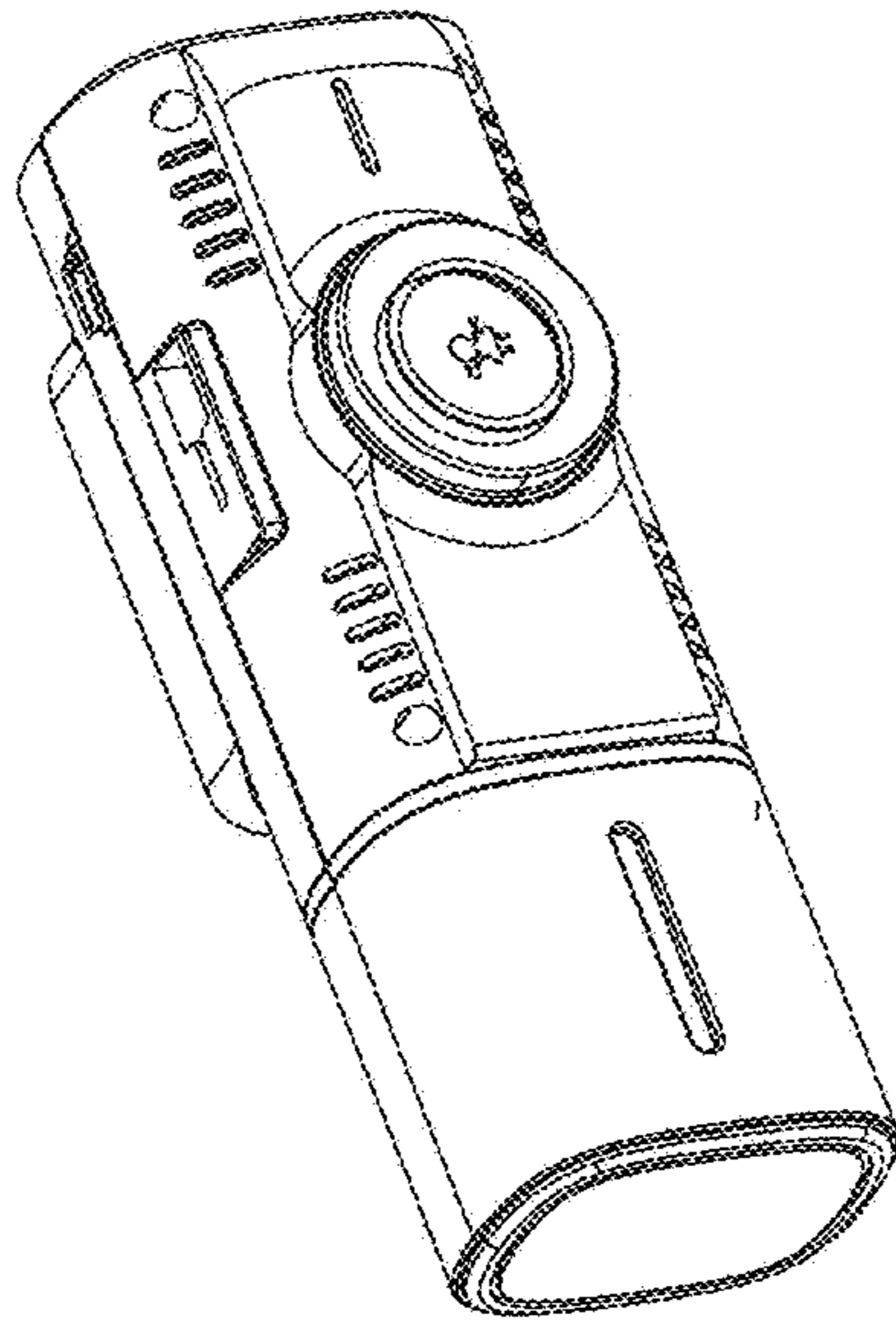


FIG.1

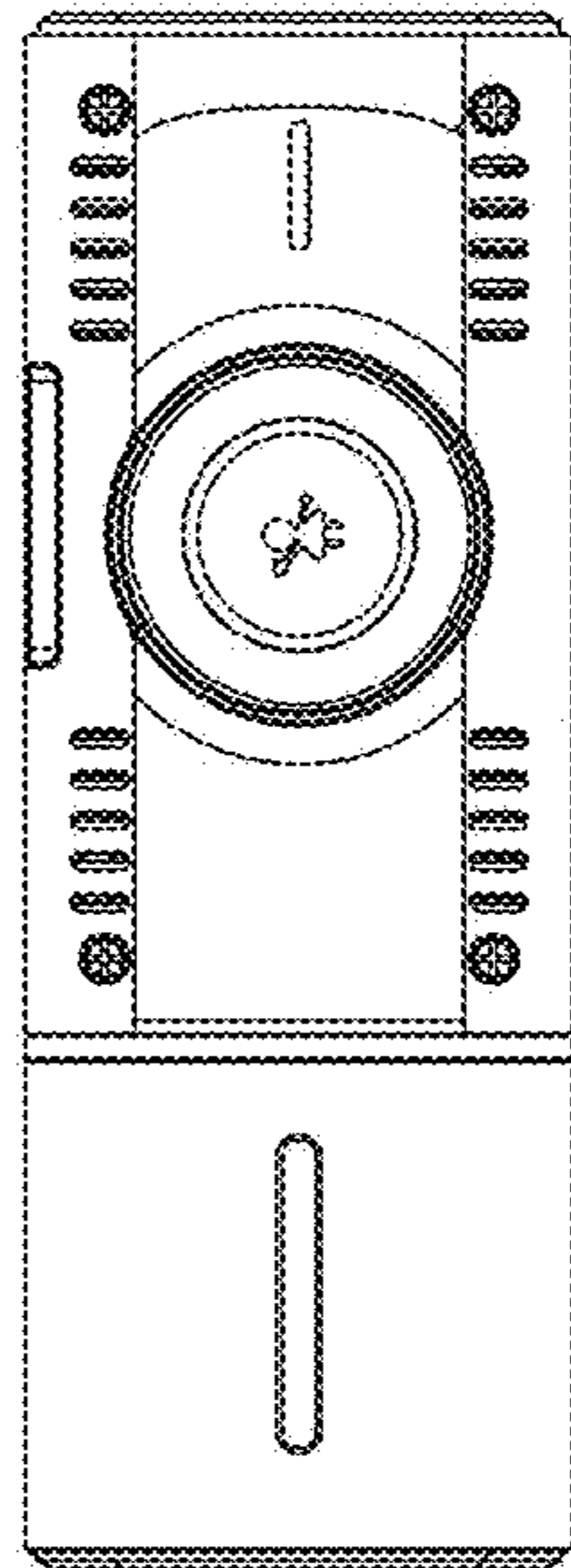


FIG. 2

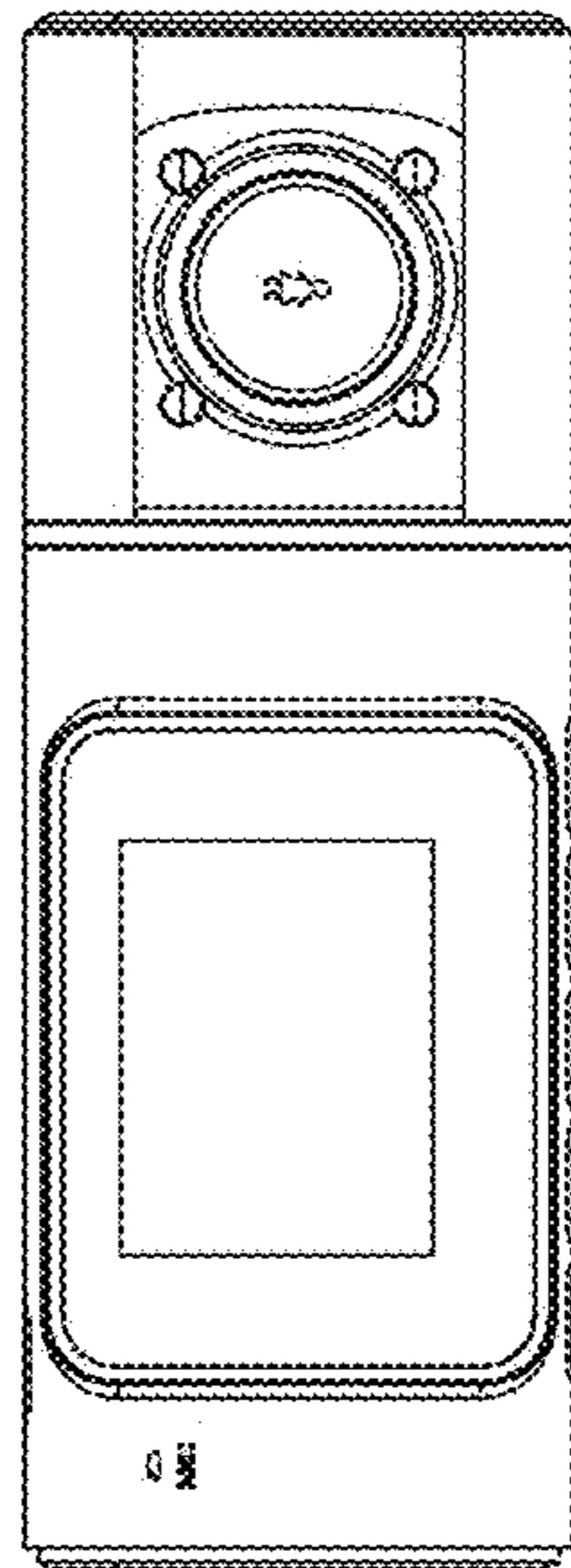


FIG.3

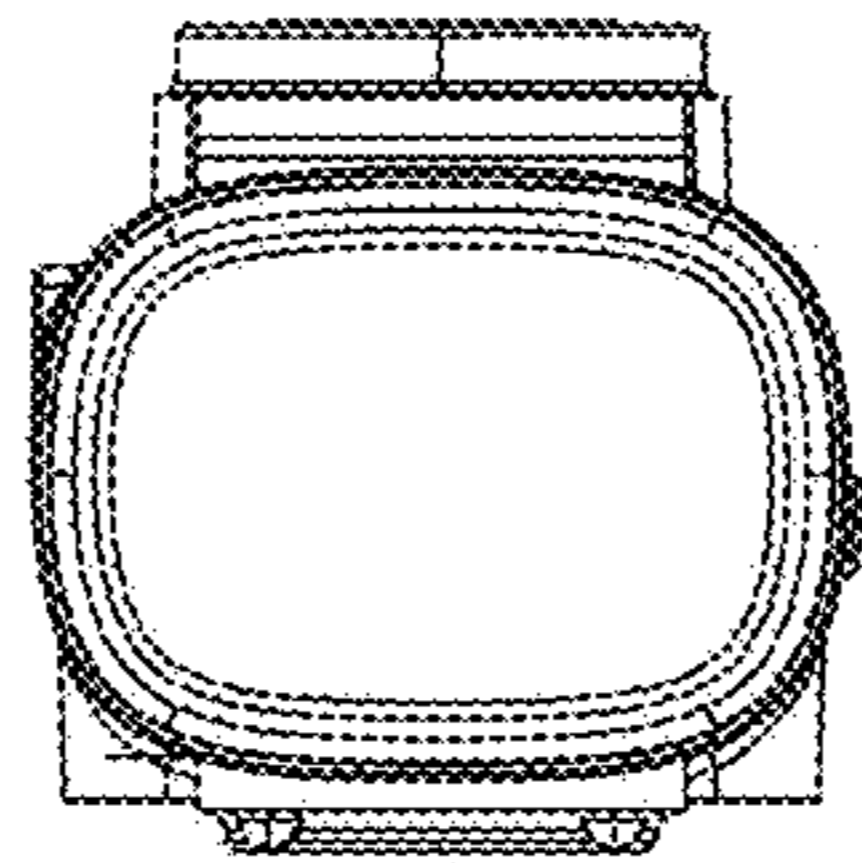


FIG.4

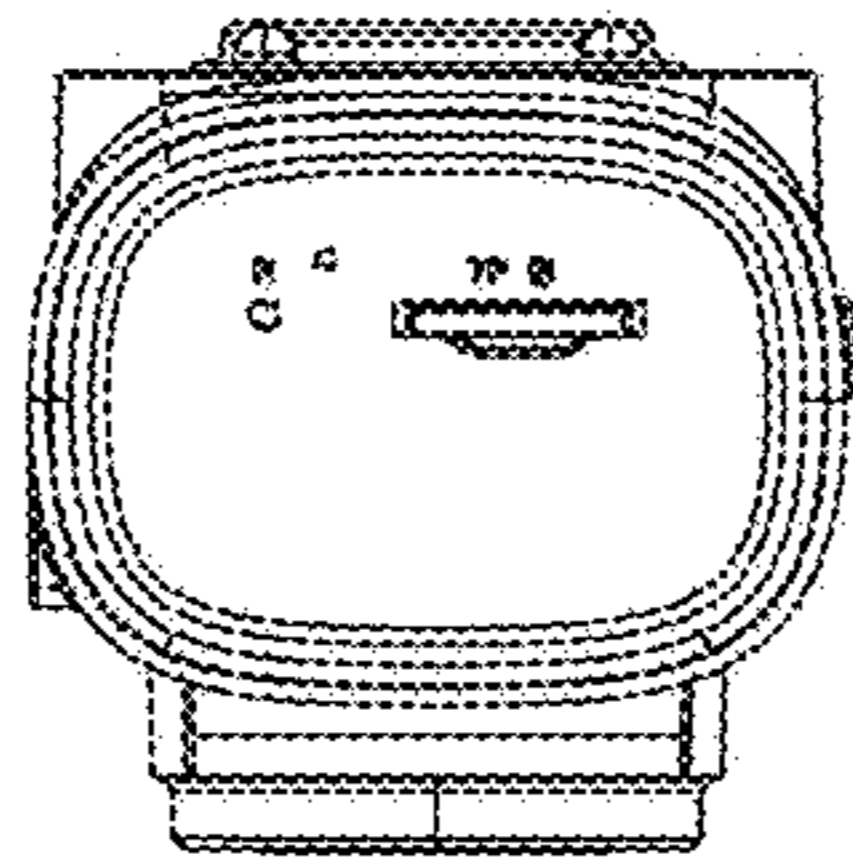


FIG. 5

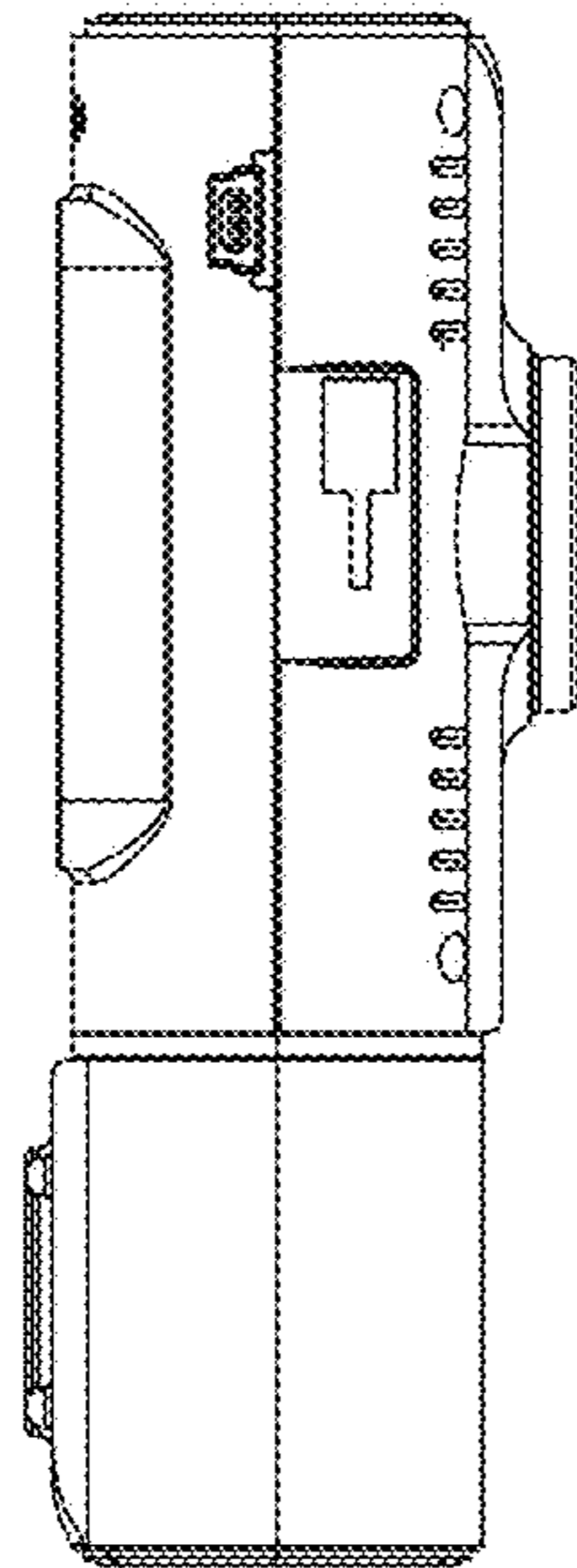


FIG. 6

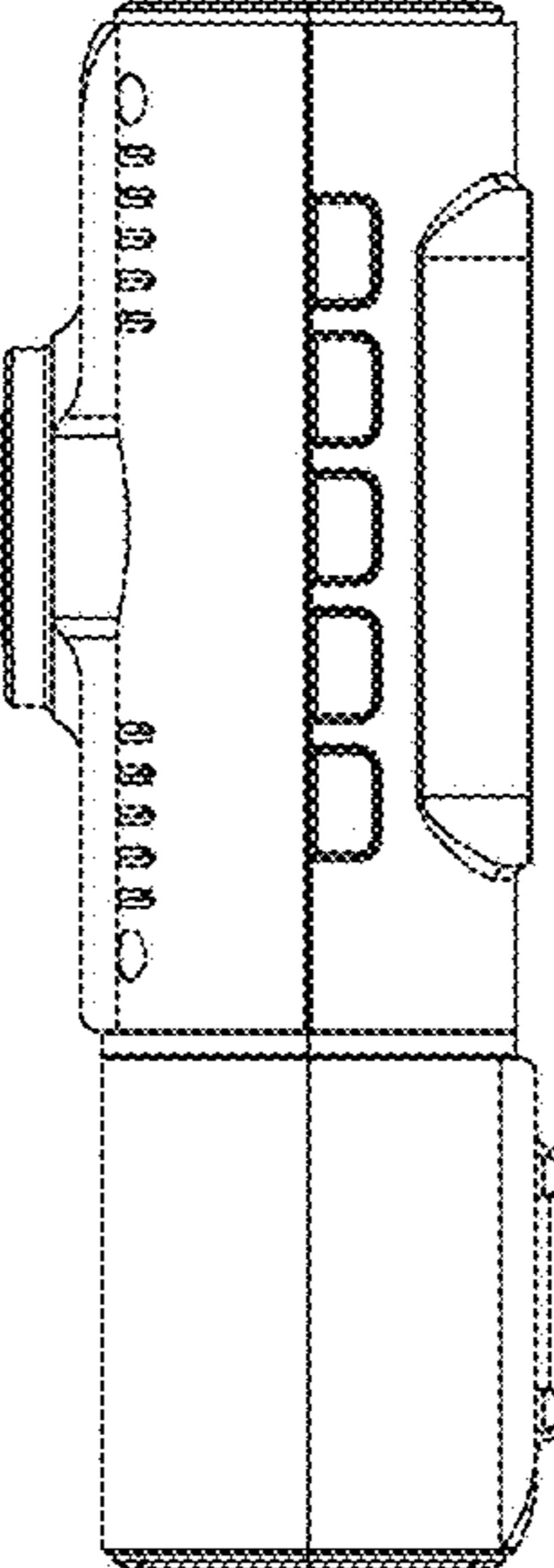


FIG.7

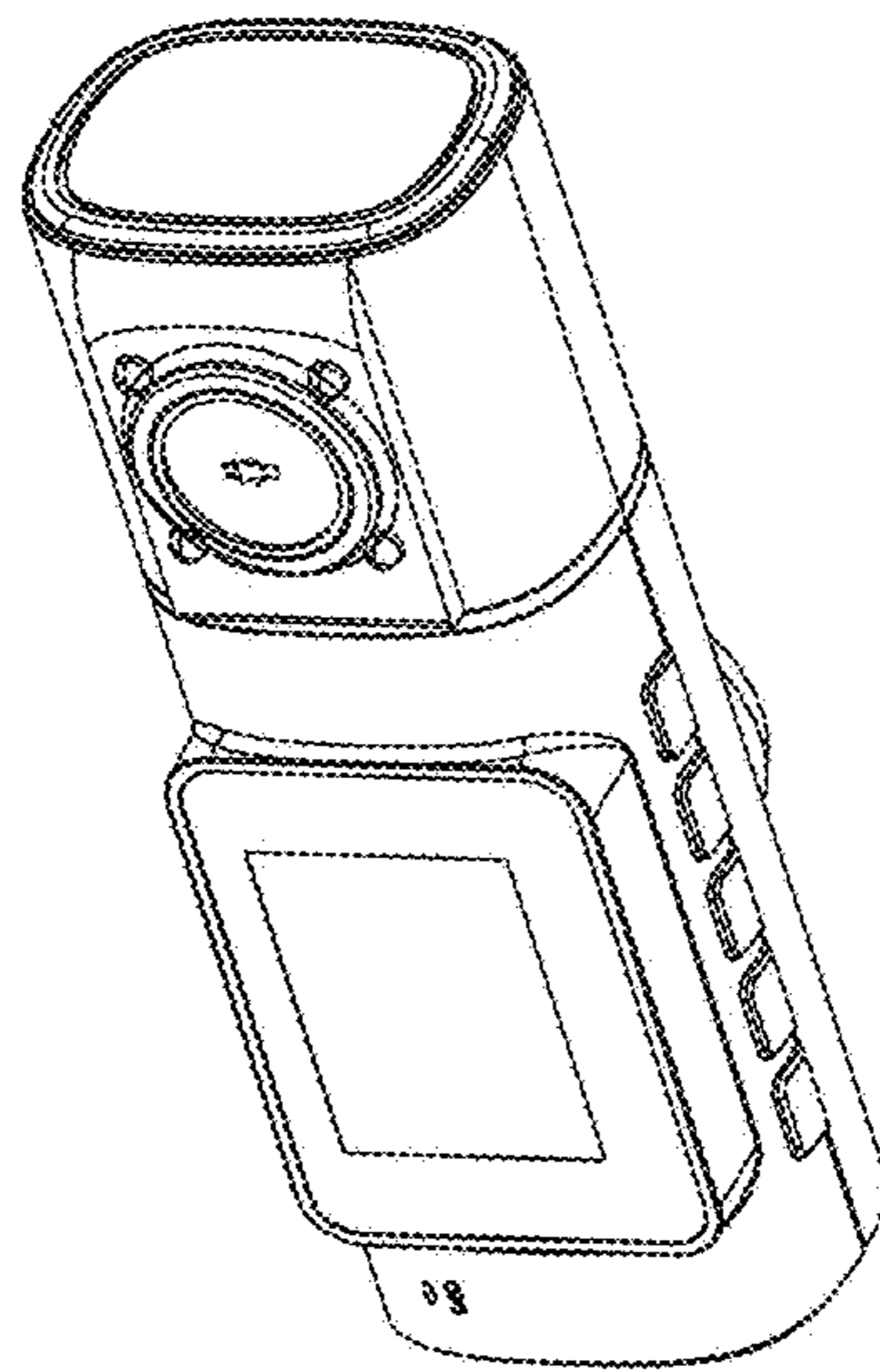


FIG. 8