



US00D956006S

(12) **United States Design Patent**  
**Mattila et al.**

(10) **Patent No.:** **US D956,006 S**  
(45) **Date of Patent:** **\*\* Jun. 28, 2022**

(54) **ELECTRICAL CABINET**

- (71) Applicant: **Ensto Oy**, Porvoo (FI)
- (72) Inventors: **Reijo Mattila**, Vantaa (FI); **Marjo Kurri**, Helsinki (FI); **Turkka Heiska**, Helsinki (FI); **Markus Niemi**, Nurmijärvi (FI)
- (73) Assignee: **Ensto Building Systems Oy**, Porvoo (FI)
- (\*\*) Term: **15 Years**
- (21) Appl. No.: **29/758,355**
- (22) Filed: **Nov. 13, 2020**

**Related U.S. Application Data**

- (62) Division of application No. 29/646,904, filed on May 8, 2018.

**Foreign Application Priority Data**

- Nov. 8, 2017 (EM) ..... 001462188
- (51) **LOC (13) Cl.** ..... **13-03**
- (52) **U.S. Cl.**  
USPC ..... **D13/184**
- (58) **Field of Classification Search**  
USPC ..... D13/102-106, 118, 199, 184, 110  
CPC ..... Y02E 60/12; Y02E 60/122; Y02E 60/124;  
Y02E 60/50; H01M 2/02; H01M 2/022;  
H01M 2/0207; H01M 2/0212; H01M  
2/1061; H01M 2/1022; H01M 2/1055;  
H01M 2/1066; H01M 2/105; H01M  
2/204; H01M 10/4257; H01M 10/0436;  
H01M 10/48; H02B 1/40; H02B 1/36;  
H02B 1/056

See application file for complete search history.

(56) **References Cited**

U.S. PATENT DOCUMENTS

5,067,043	A *	11/1991	Markowski .....	H02B 1/06 361/650
D363,669	S †	10/1995	Pennoyer, Jr. ....	D3/292
D379,004	S †	4/1997	Keijser .....	D13/184
D423,464	S †	4/2000	Witte .....	D13/184
D425,476	S †	5/2000	Campbell .....	D13/103
6,229,692	B1 *	5/2001	Stendardo .....	H02B 1/04 174/68.2
D451,278	S †	12/2001	Cooper .....	D3/294
D499,070	S †	11/2004	Lavington .....	D13/119
D507,241	S †	7/2005	Koessler .....	D13/152

(Continued)

*Primary Examiner* — Christy Nemeth

(74) *Attorney, Agent, or Firm* — Banner & Witcoff, Ltd.

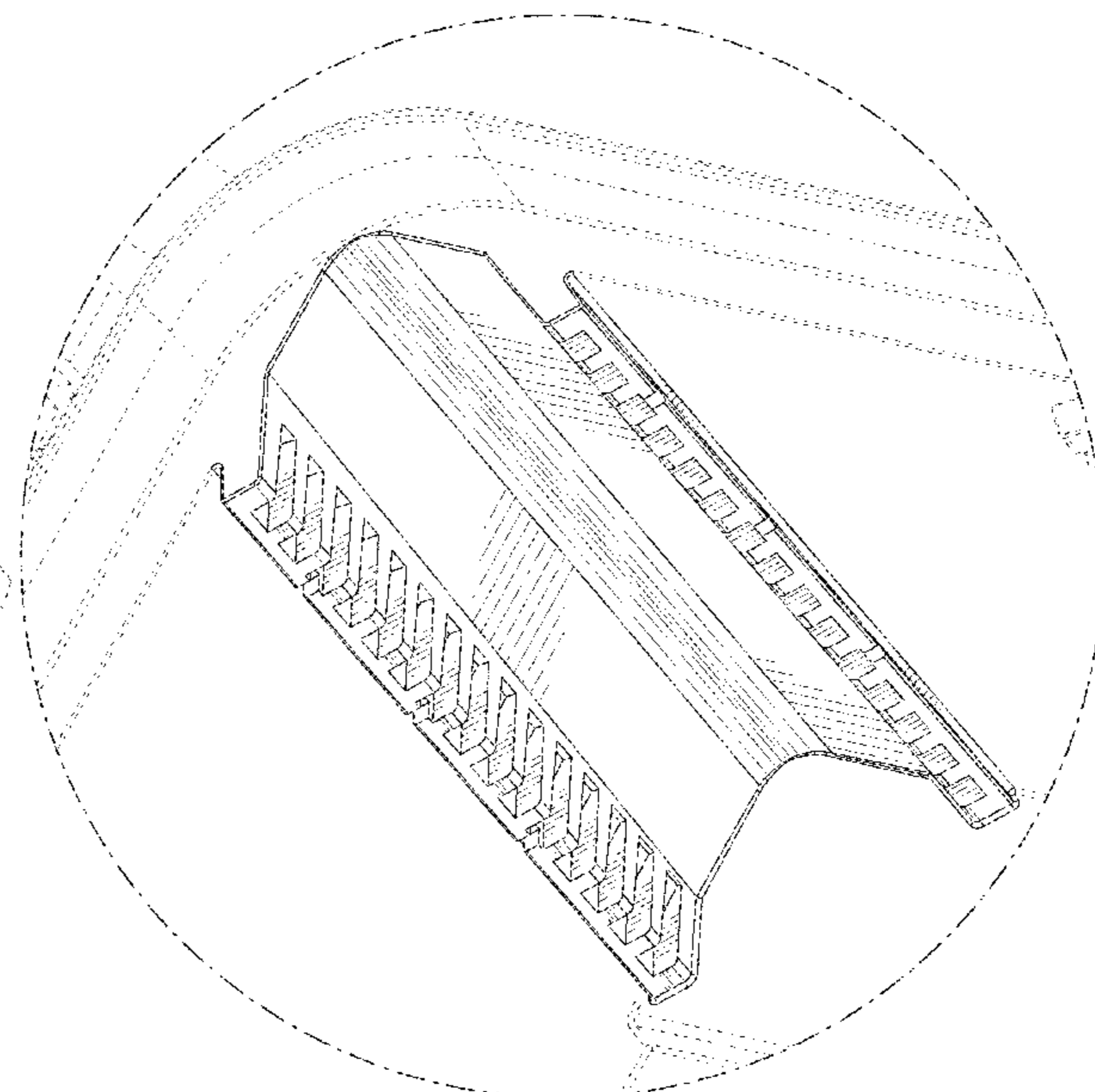
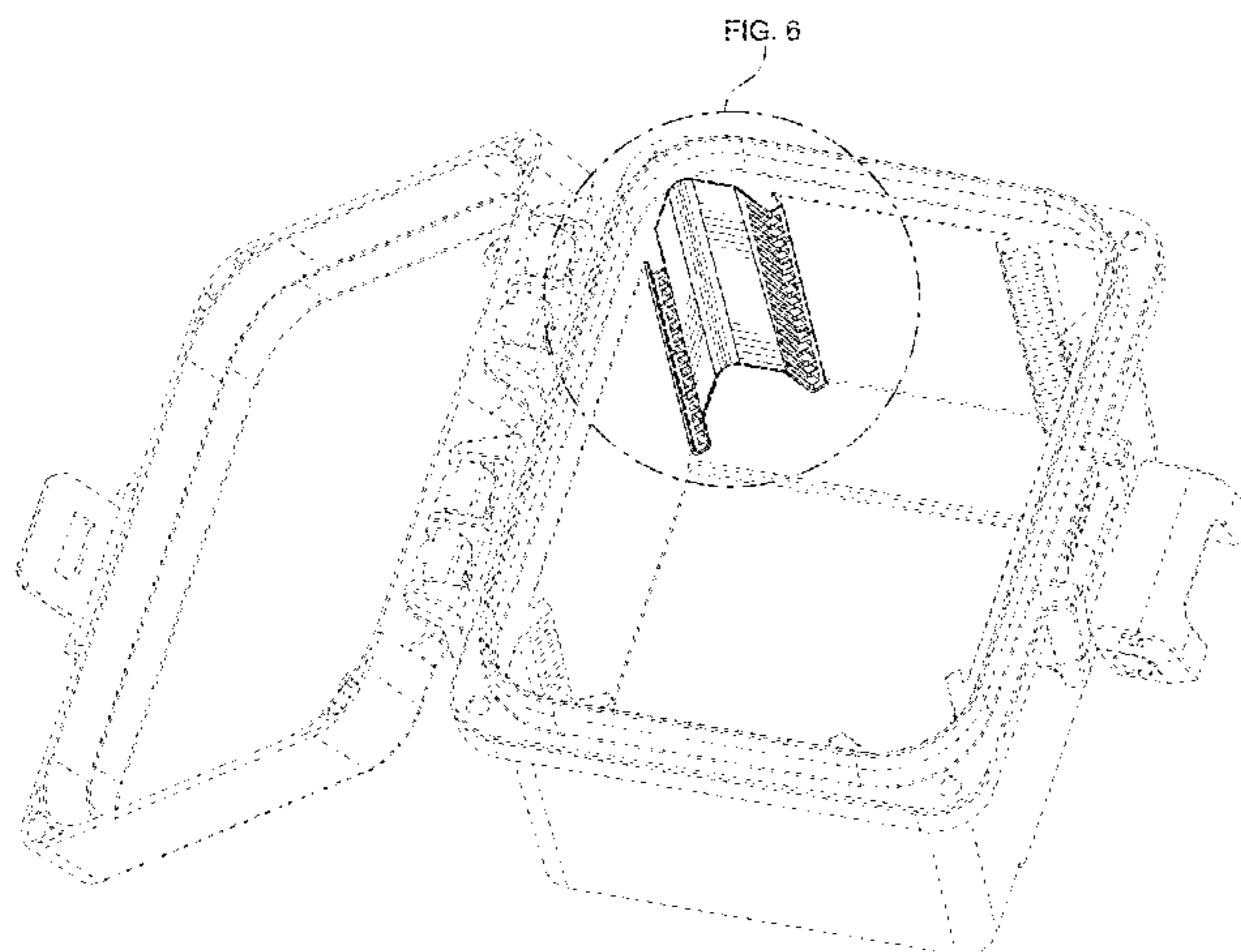
(57) **CLAIM**

The ornamental design for an electrical cabinet, as shown and described.

**DESCRIPTION**

FIG. 1 is a first front perspective view of an electrical cabinet showing our new design;  
 FIG. 2 is a second front perspective view thereof;  
 FIG. 3 is a front elevation view thereof;  
 FIG. 4 is a front perspective view thereof, shown with the lid in a closed position;  
 FIG. 5 is a rear perspective view thereof, shown with the lid in a closed position;  
 FIG. 6 is an enlarged partial view of the area shown encircled in FIG. 1; and,  
 FIG. 7 is an enlarged partial view of the area shown encircled in FIG. 2.  
 The dashed broken lines in the drawings illustrate environmental subject matter that forms on part of the claimed design. The dash-dot broken lines in the drawings illustrate the boundaries of the encircled area and form no part of the claimed design.

**1 Claim, 7 Drawing Sheets**



(56)

References Cited

U.S. PATENT DOCUMENTS

D517,479 S ‡	3/2006	Schemm	.....	D13/103	D886,045 S ‡	6/2020	Deng	.....	D13/103
D517,987 S ‡	3/2006	Castagnola	.....	D13/103	D886,738 S ‡	6/2020	Huang	.....	D13/119
D517,988 S ‡	3/2006	Ihde	.....	D13/103	D891,362 S *	7/2020	Milroy	.....	D13/103
D562,128 S ‡	2/2008	van de Velde	.....	D9/420	D896,179 S ‡	9/2020	Yang	.....	D13/119
D660,261 S ‡	5/2012	Huang	.....	D13/184	D910,548 S *	2/2021	Dong	.....	D13/106
D692,748 S ‡	11/2013	Short	.....	D9/420	D920,938 S *	6/2021	Matti	.....	D13/184
D702,198 S ‡	4/2014	Gretz	.....	D13/184	2009/0302034 A1 *	12/2009	Makela	.....	H02G 3/088 220/3.8
D748,068 S *	1/2016	Weber	.....	D13/184	2012/0132657 A1 ‡	5/2012	Seiders	.....	B65D 81/3816 220/592.2
D757,435 S ‡	5/2016	Damberg	.....	B25H 3/021 D3/284	2014/0125271 A1 ‡	5/2014	Wang	.....	G06F 1/1632 320/107
D765,029 S *	8/2016	Buller	.....	D13/119	2015/0352711 A1 ‡	12/2015	Brunner	.....	B65D 25/18 206/349
D785,567 S ‡	5/2017	Abena	.....	D13/119	2017/0197765 A1 ‡	7/2017	Hu	.....	B65D 25/2852
D789,899 S ‡	6/2017	von der Lippe	.....	D13/184	2017/0233155 A1 ‡	8/2017	Daws, II	.....	E05B 63/244 220/324
D805,026 S *	12/2017	Anderson	.....	D13/102	2018/0172413 A1 ‡	6/2018	Luis y Prado	.....	B65D 25/108
D821,968 S ‡	7/2018	Zhao	.....	D13/103	2018/0186550 A1 ‡	7/2018	Morine	.....	F25D 3/08
D823,788 S ‡	7/2018	Wei	.....	D13/103	2019/0316834 A1 ‡	10/2019	Hixon	.....	F25D 23/12
D825,464 S ‡	8/2018	Xie	.....	D13/119	2020/0148428 A1 ‡	5/2020	Georgiadis	.....	B65D 43/0256
D825,465 S ‡	8/2018	Deng	.....	D13/119	2020/0295580 A1 ‡	9/2020	Bishop	.....	H02J 7/025
D853,320 S ‡	7/2019	Guo	.....	D13/103	2020/0324943 A1 *	10/2020	Matti	.....	B65D 43/22
D861,606 S ‡	10/2019	Yang	.....	D13/119	2020/0407133 A1 ‡	12/2020	Morris, Jr.	.....	B65D 55/06
D881,812 S ‡	4/2020	Yang	.....	D13/119					
D883,196 S ‡	5/2020	Chen	.....	D13/103					
D885,326 S ‡	5/2020	Zhang	.....	D13/103					

\* cited by examiner

‡ imported from a related application

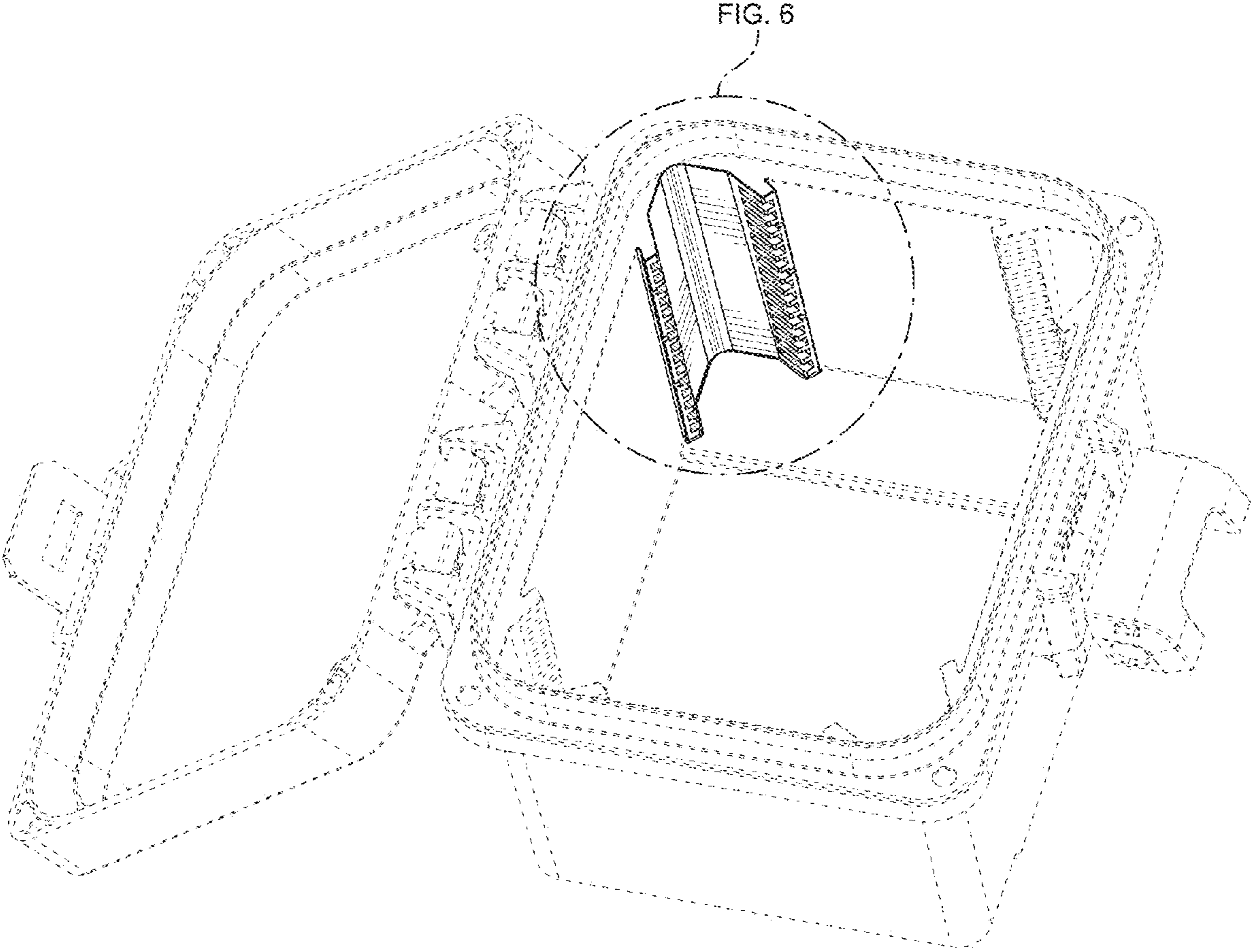
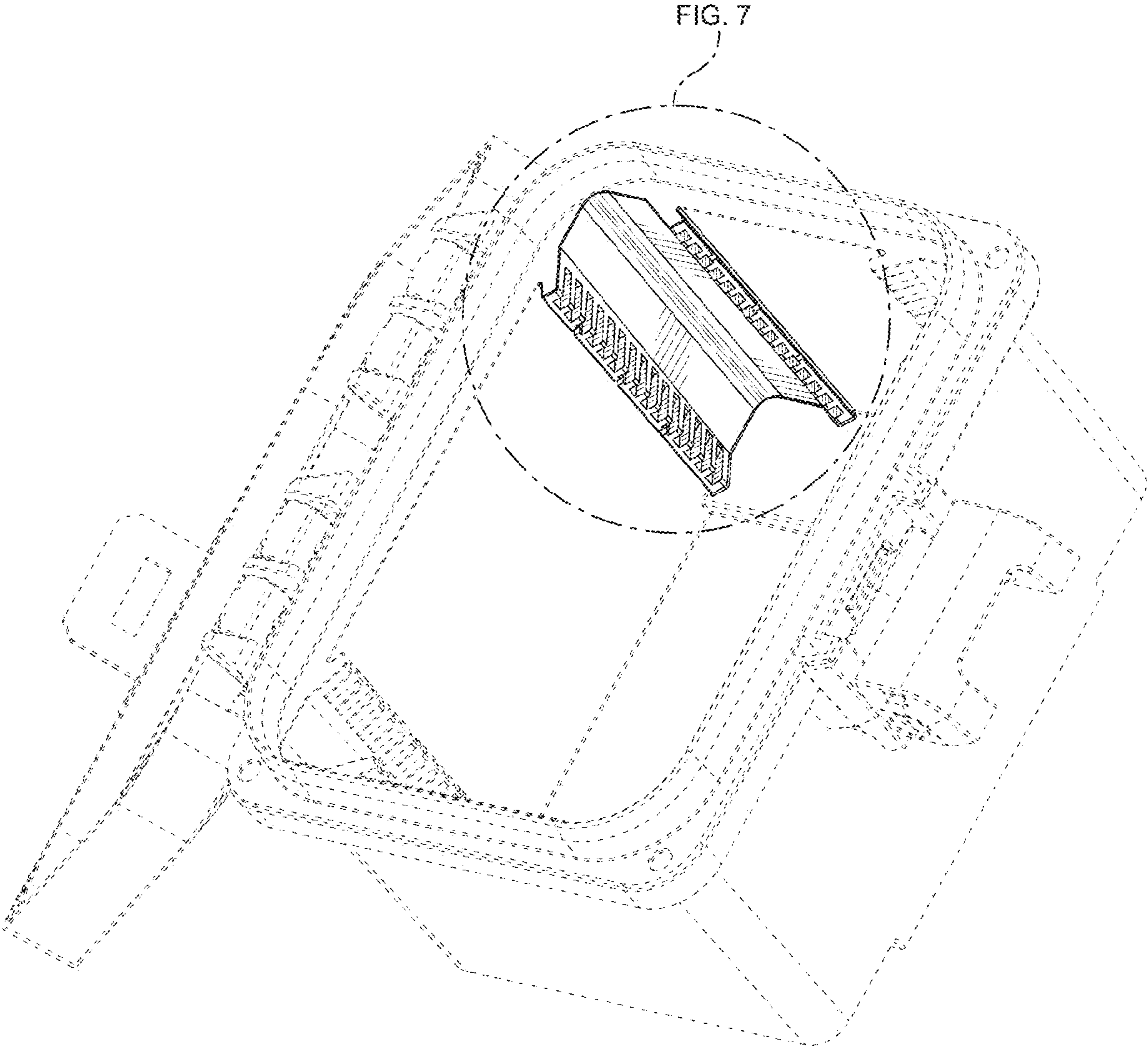


FIG. 1





**FIG. 2**

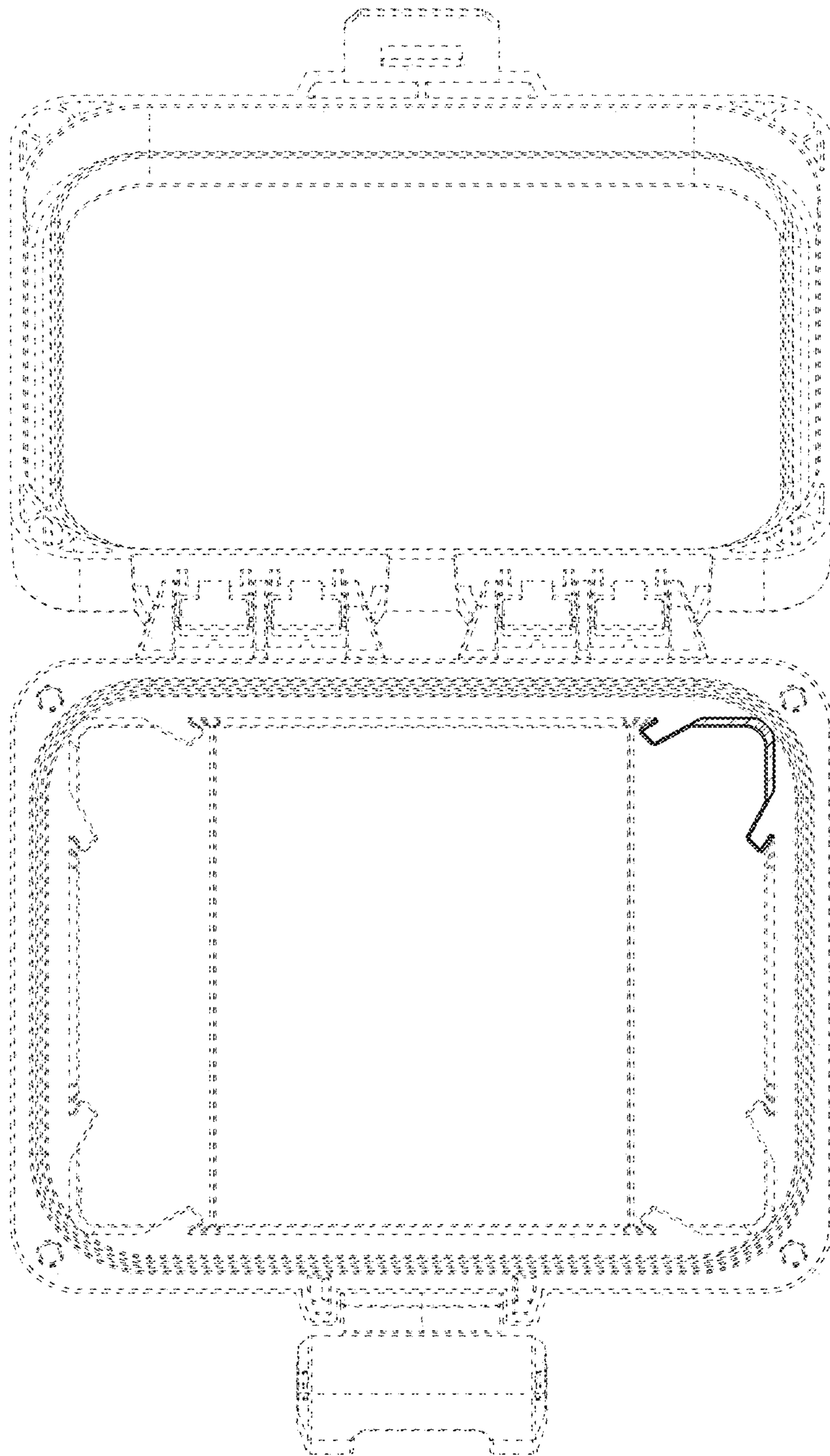


FIG. 3

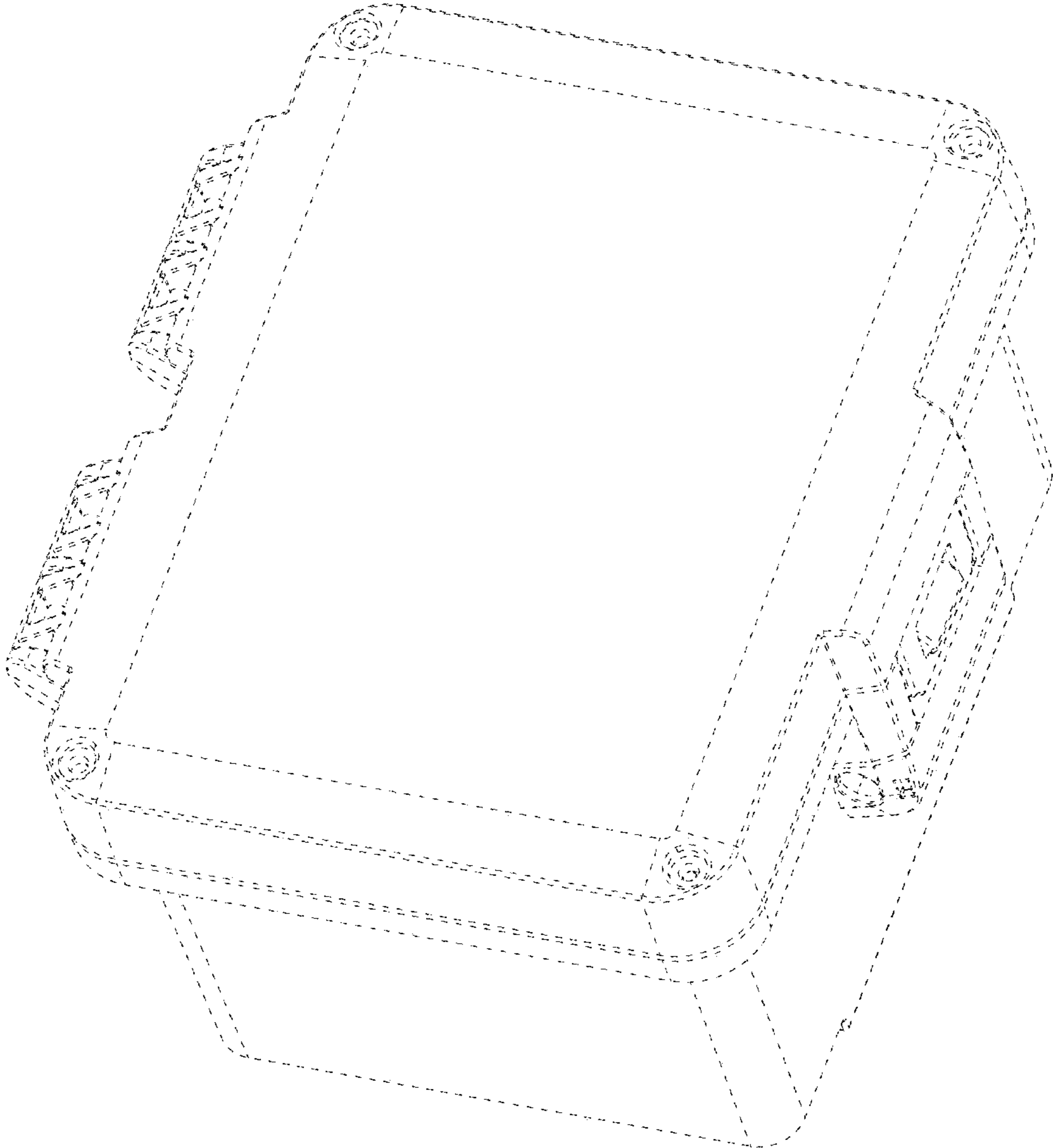
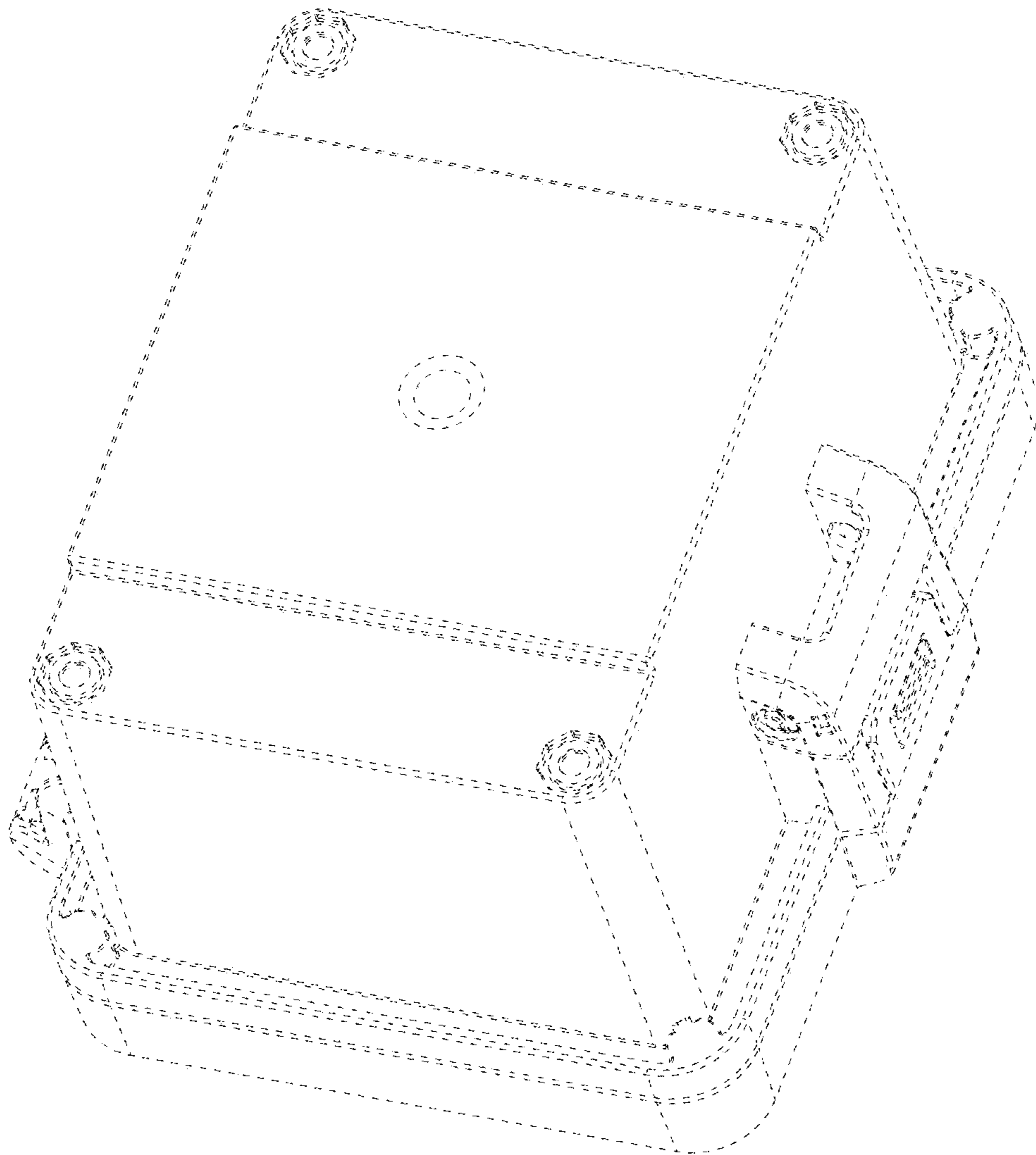


FIG. 4



**FIG. 5**

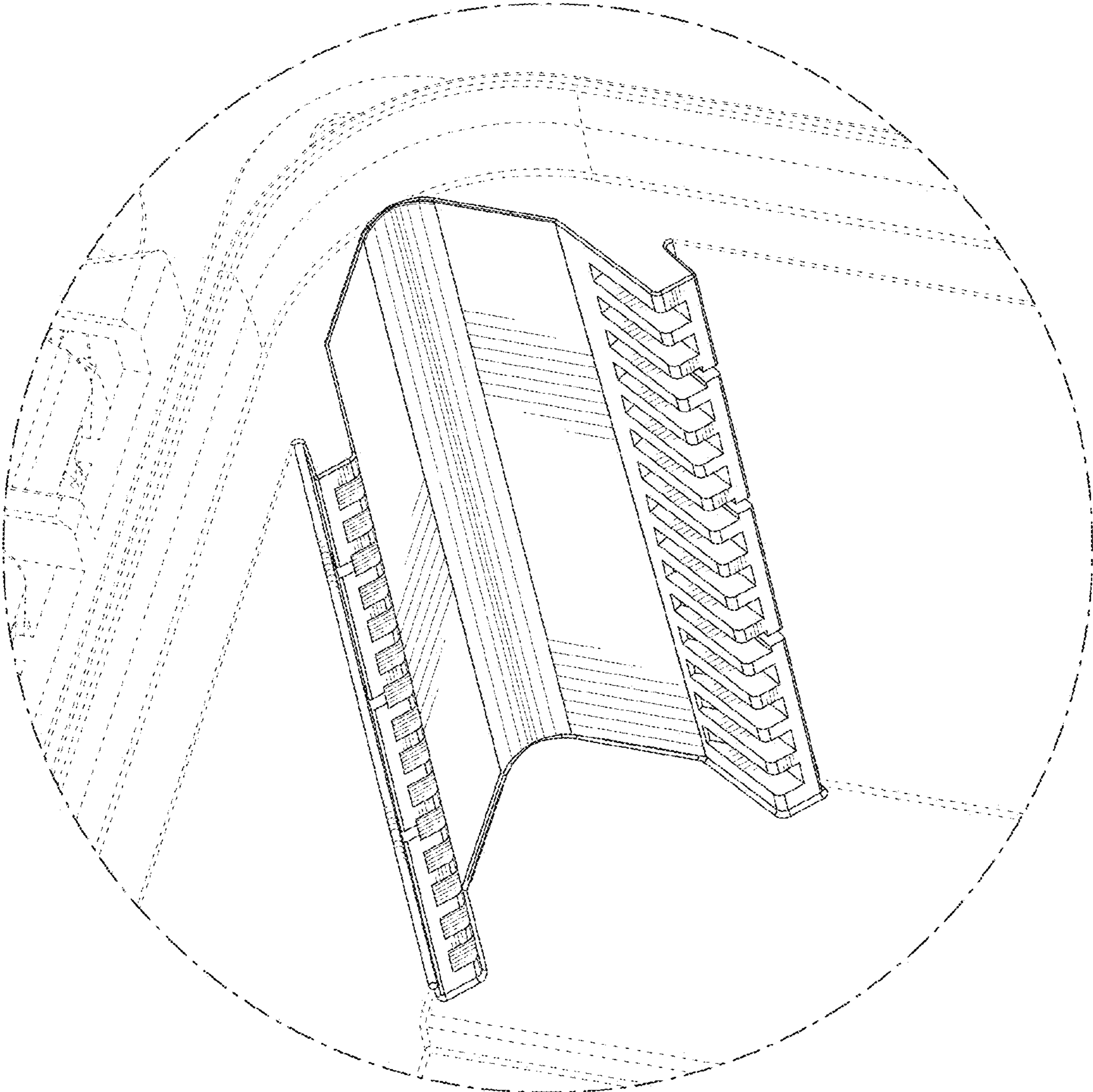


FIG. 6



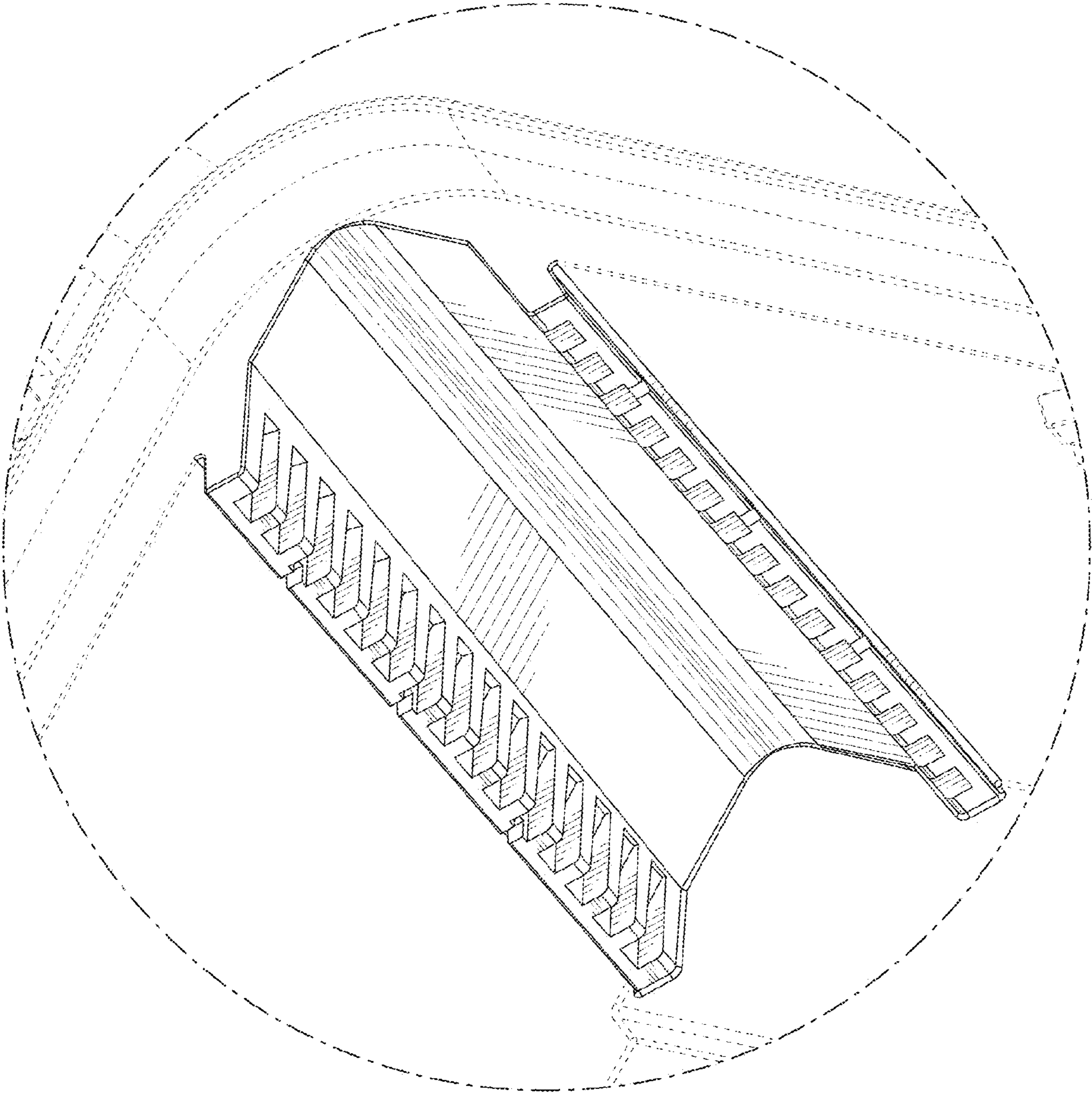


FIG. 7

UNITED STATES PATENT AND TRADEMARK OFFICE  
**CERTIFICATE OF CORRECTION**

PATENT NO. : D956,006 S  
APPLICATION NO. : 29/758355  
DATED : June 28, 2022  
INVENTOR(S) : Reijo Mattila et al.

Page 1 of 1

It is certified that error appears in the above-identified patent and that said Letters Patent is hereby corrected as shown below:

On the Title Page

Item (71);

After Applicant; delete "Ensto Oy" and insert --Ensto Building Systems Oy--

Signed and Sealed this  
Eleventh Day of October, 2022



Katherine Kelly Vidal  
*Director of the United States Patent and Trademark Office*