



US00D956002S

(12) **United States Design Patent**
Zhang

(10) **Patent No.:** **US D956,002 S**

(45) **Date of Patent:** **** *Jun. 28, 2022**

(54) **LED STRIP LIGHT CONTROLLER**

(71) Applicant: **SHENZHEN BASON LIGHTING CO., LTD.**, Shenzhen (CN)

(72) Inventor: **Yong Zhang**, Shenzhen (CN)

(73) Assignee: **SHENZHEN BASON LIGHTING CO., LTD.**, Shenzhen (CN)

(*) Notice: This patent is subject to a terminal disclaimer.

(**) Term: **15 Years**

(21) Appl. No.: **29/753,042**

(22) Filed: **Sep. 29, 2020**

(30) **Foreign Application Priority Data**

Jul. 10, 2020 (CN) 202030373348.1

(51) **LOC (13) Cl.** **14-03**

(52) **U.S. Cl.**
USPC **D13/168**

(58) **Field of Classification Search**
USPC D13/162, 168; D14/155, 217, 218, 358,
D14/433, 434, 480.4, 480.5, 480.7
CPC G08C 17/02; G09F 23/00; H01H 9/02;
H01H 9/0214; H01H 9/0235; H04B
1/202; F21S 4/00; F21S 4/10; F21S 4/20
See application file for complete search history.

(56) **References Cited**

U.S. PATENT DOCUMENTS

D391,922 S * 3/1998 Aromin D13/160
D626,921 S * 11/2010 Pang D13/158
D736,704 S * 8/2015 Liu D13/108
9,332,615 B1 * 5/2016 Peng H01H 9/0228
D796,484 S * 9/2017 Chen D14/218
D840,954 S * 2/2019 Wu D13/168
D844,586 S * 4/2019 Sweet D14/205

D851,626 S * 6/2019 Hsieh D14/205
D867,367 S * 11/2019 Wang D14/433
D891,377 S * 7/2020 Ahrari D13/168
D910,580 S * 2/2021 Zhu D13/168
D912,634 S * 3/2021 Zhang D13/168
D916,034 S * 4/2021 Shi D13/168
D928,727 S * 8/2021 Chen D13/162
2007/0279920 A1 * 12/2007 Lin F21S 4/10
362/362
2016/0076717 A1 * 3/2016 Magner F21S 4/10
362/190
2018/0149345 A1 * 5/2018 Zhang F21V 23/003
2019/0069649 A1 * 3/2019 Qin F21S 9/02

OTHER PUBLICATIONS

Mini Wifi RGB LED Strip Controller; retrieved on Oct. 28, 2021; 2 pgs; <https://www.walmart.com/ip/walmeck-Mini-Wifi-RGB-LED-Strip-Controller-by-Smart-Phone-Control-Works-with-for-Home-Voice-Control/239380127>.*

* cited by examiner

Primary Examiner — Selina Sikder

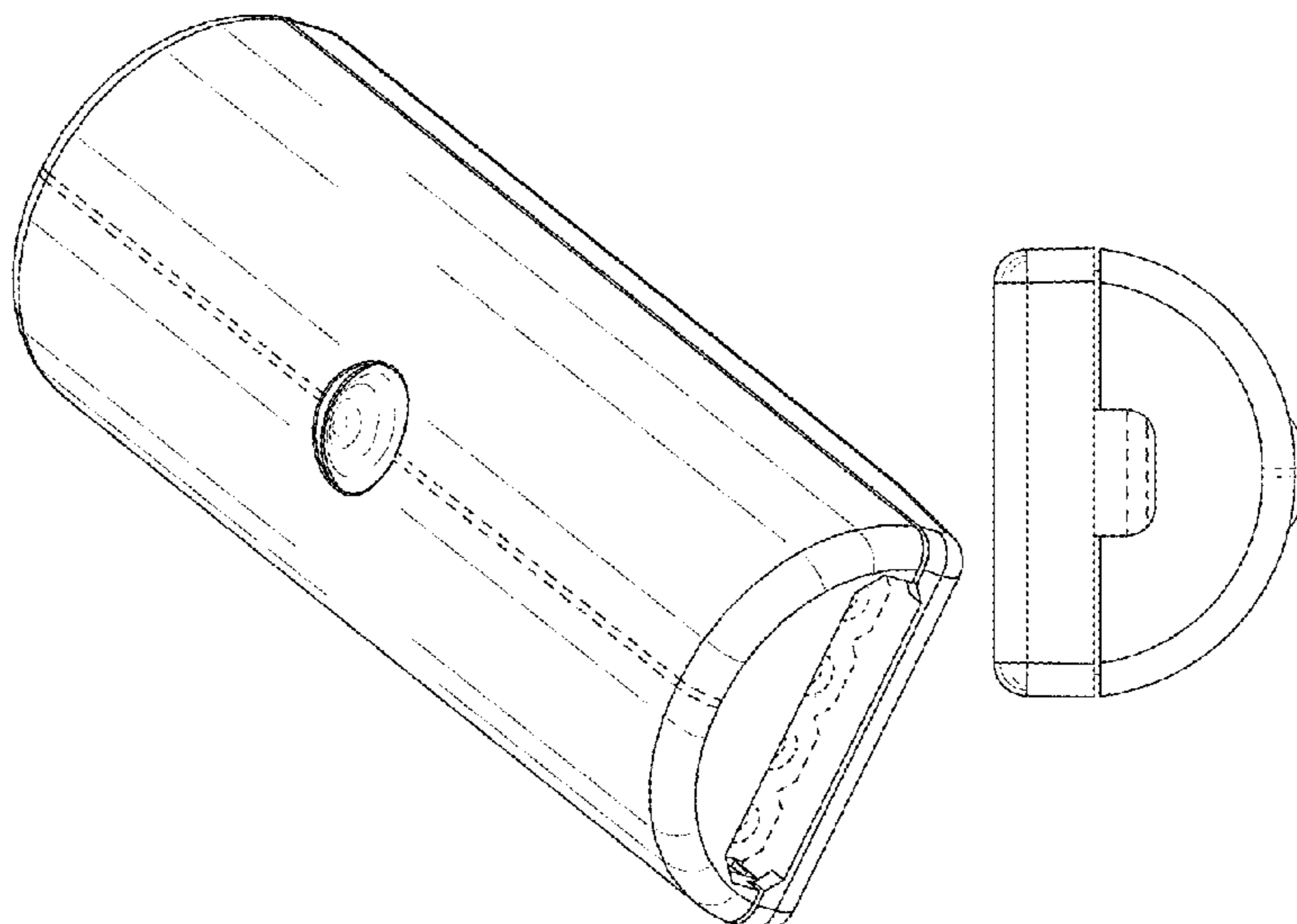
(57) **CLAIM**

The ornamental design for a LED strip light controller, as shown and described.

DESCRIPTION

FIG. 1 is a perspective view of a LED strip light controller showing the claimed design;
FIG. 2 is another perspective view thereof;
FIG. 3 is a front elevational view thereof;
FIG. 4 is a rear elevational view thereof;
FIG. 5 is a left side elevational view thereof;
FIG. 6 is a right side elevational view thereof;
FIG. 7 is a top plan view thereof; and,
FIG. 8 is a bottom plan view thereof.
The broken lines consisting of evenly spaced dash lines in the drawing depict parts of the LED strip light controller that form no part of the claimed design.

1 Claim, 8 Drawing Sheets



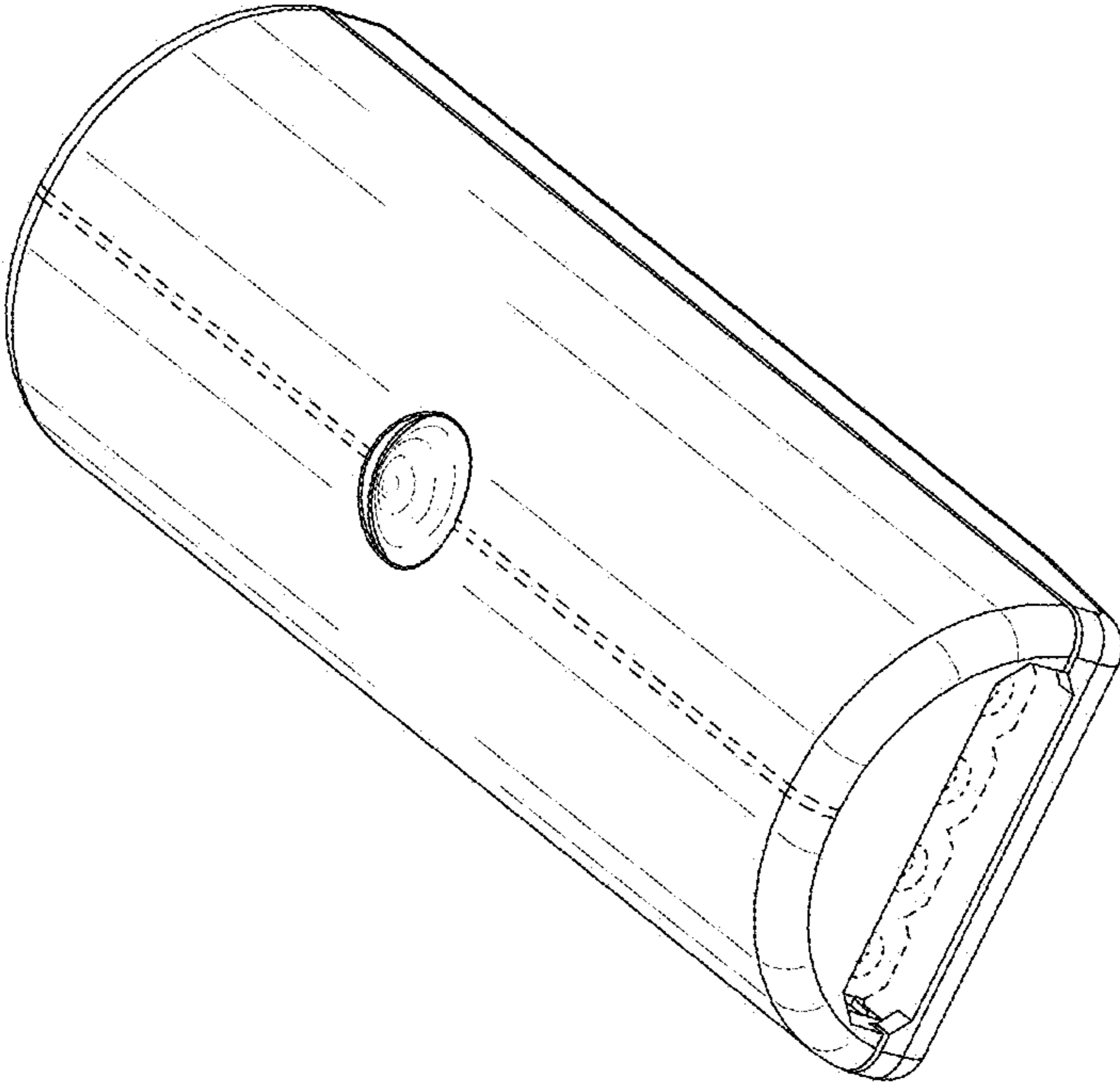


Fig. 1

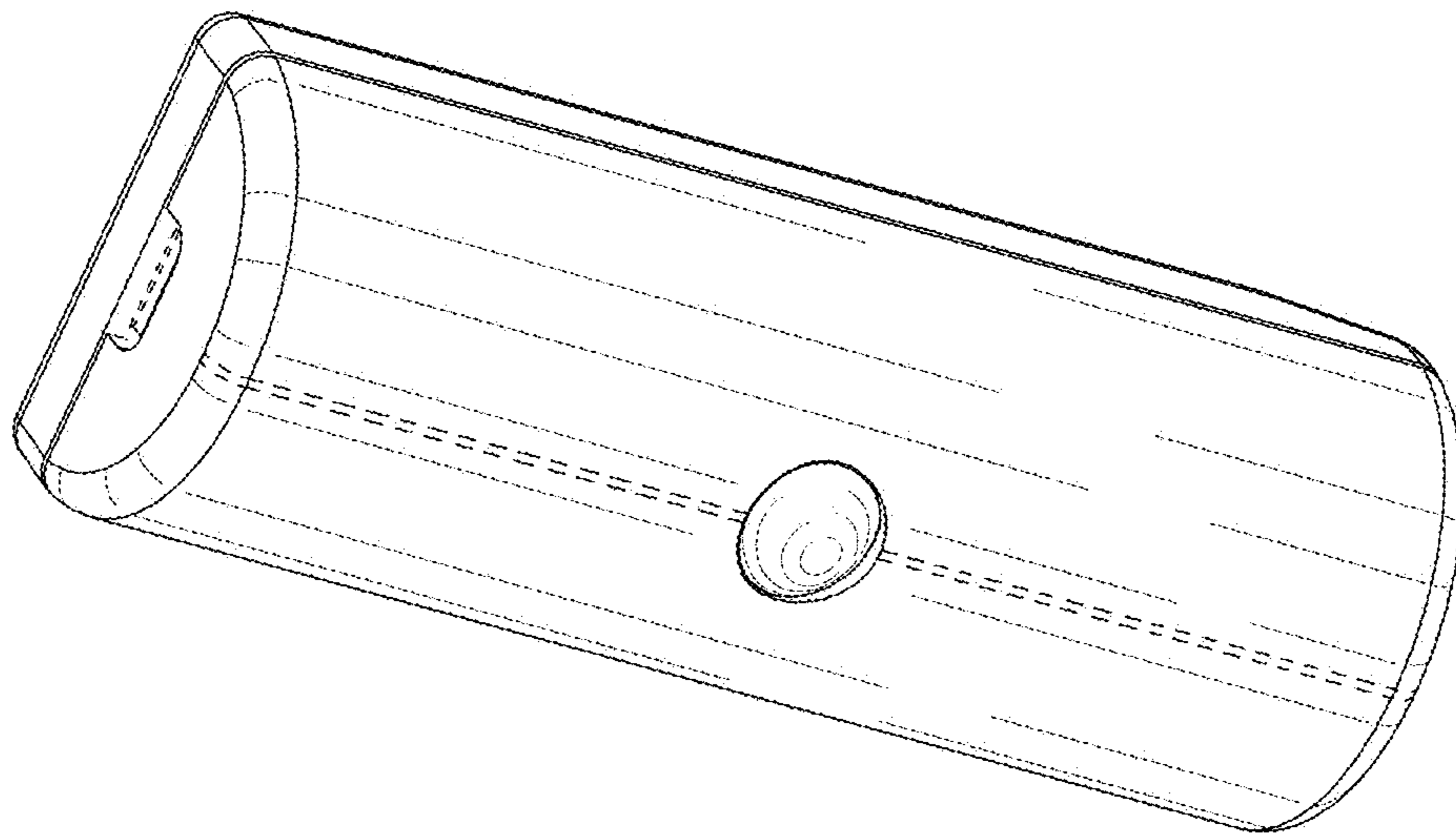


Fig. 2

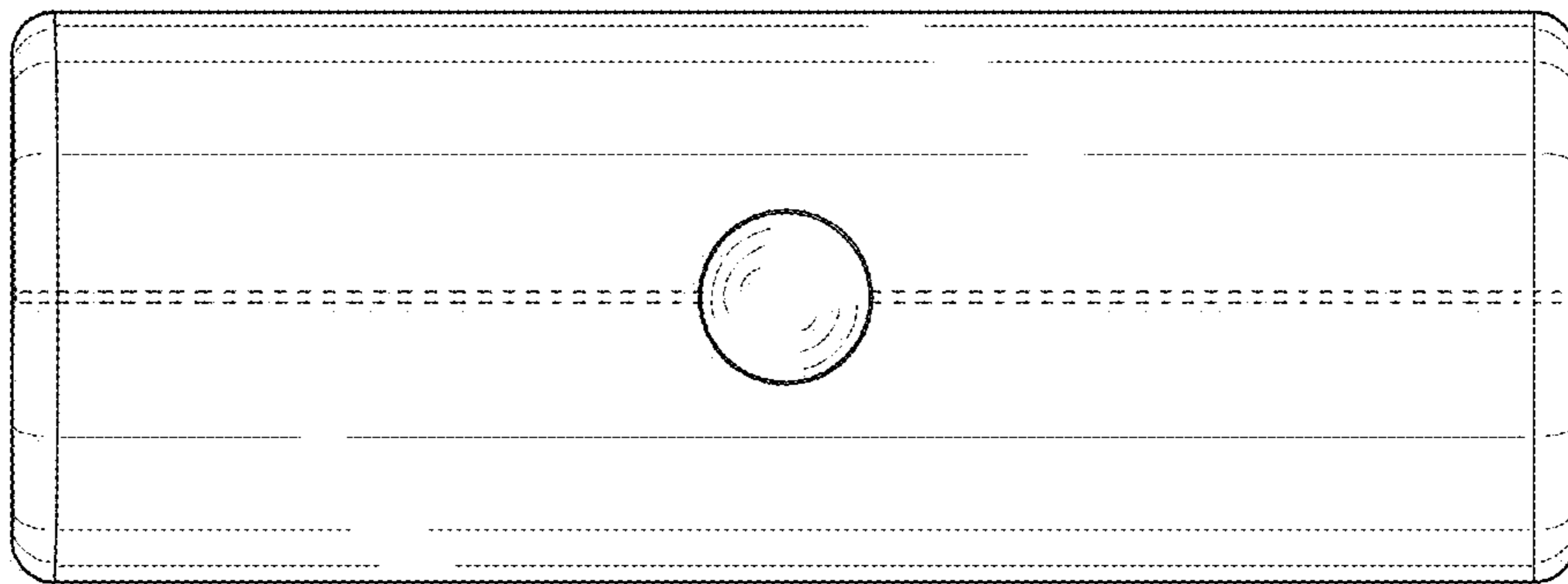


Fig. 3

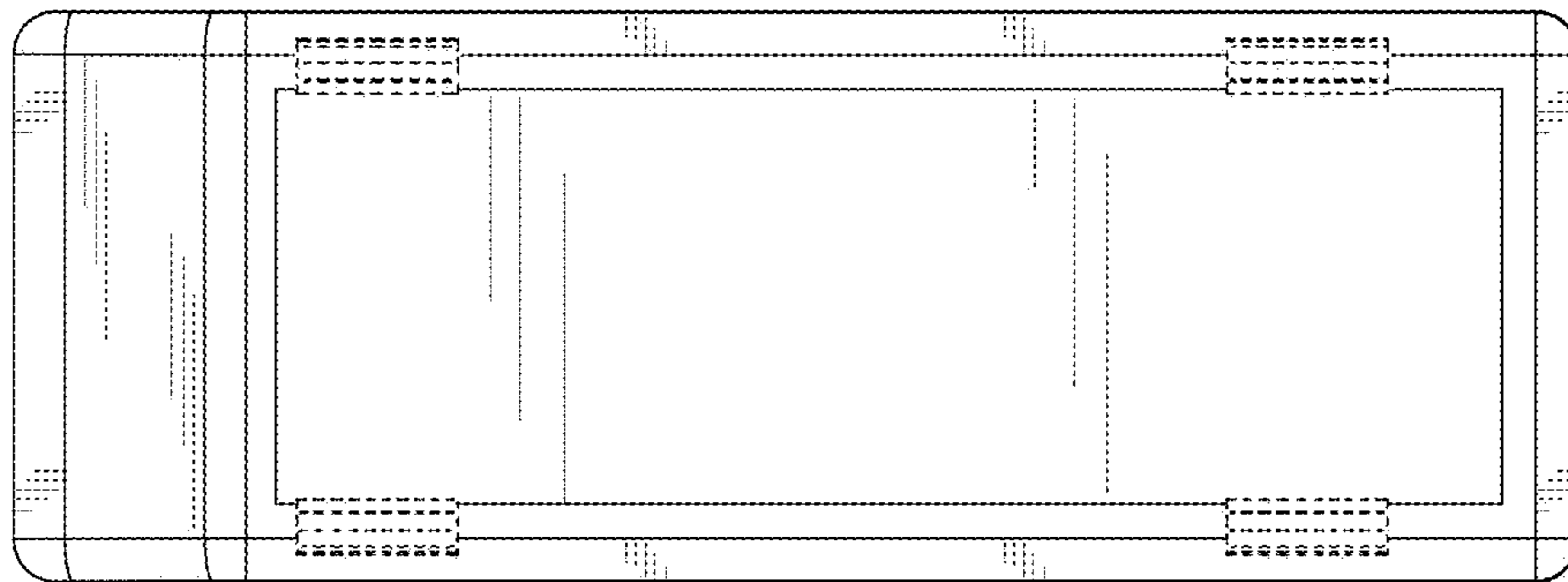


Fig. 4

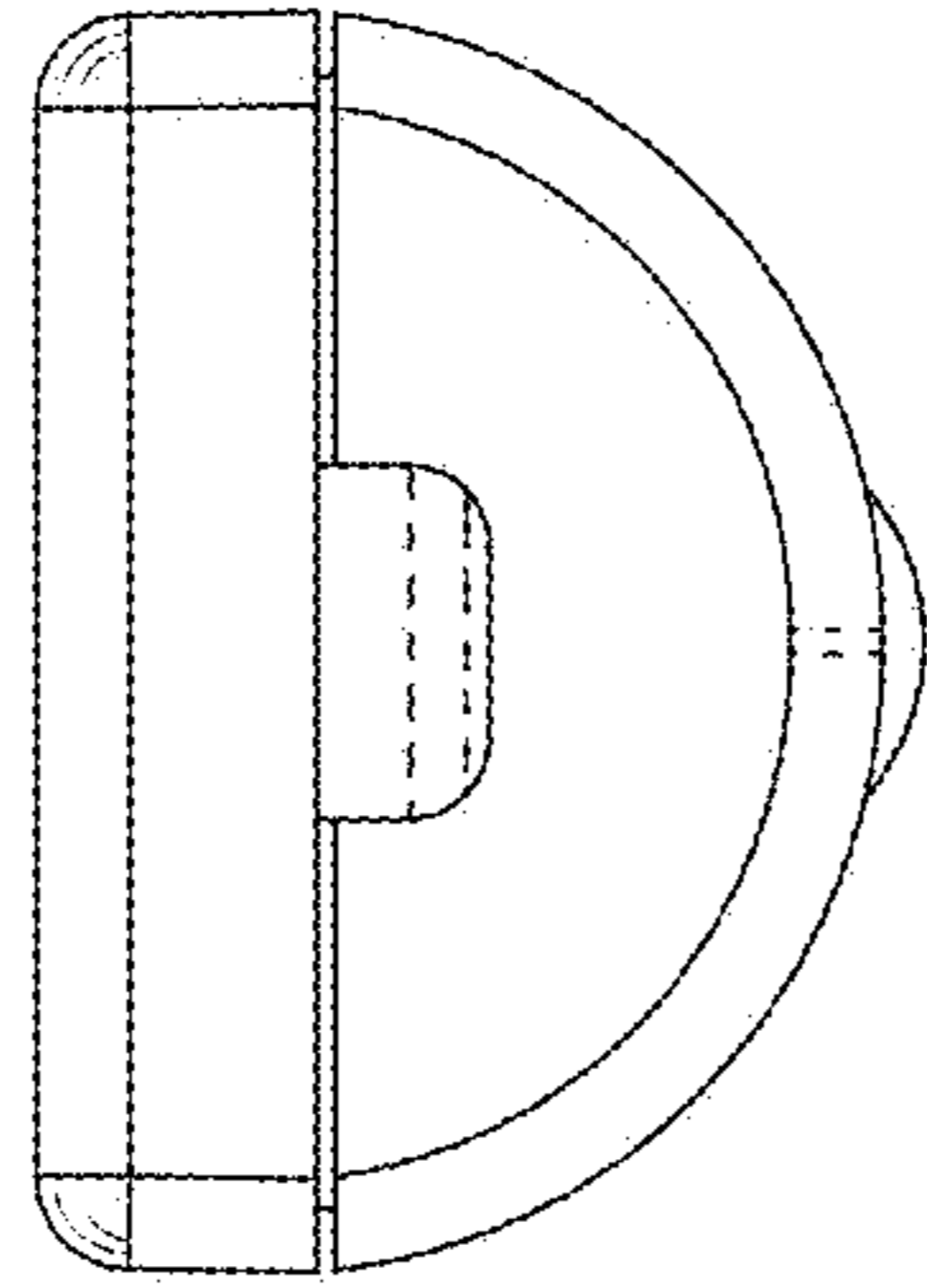


Fig. 5

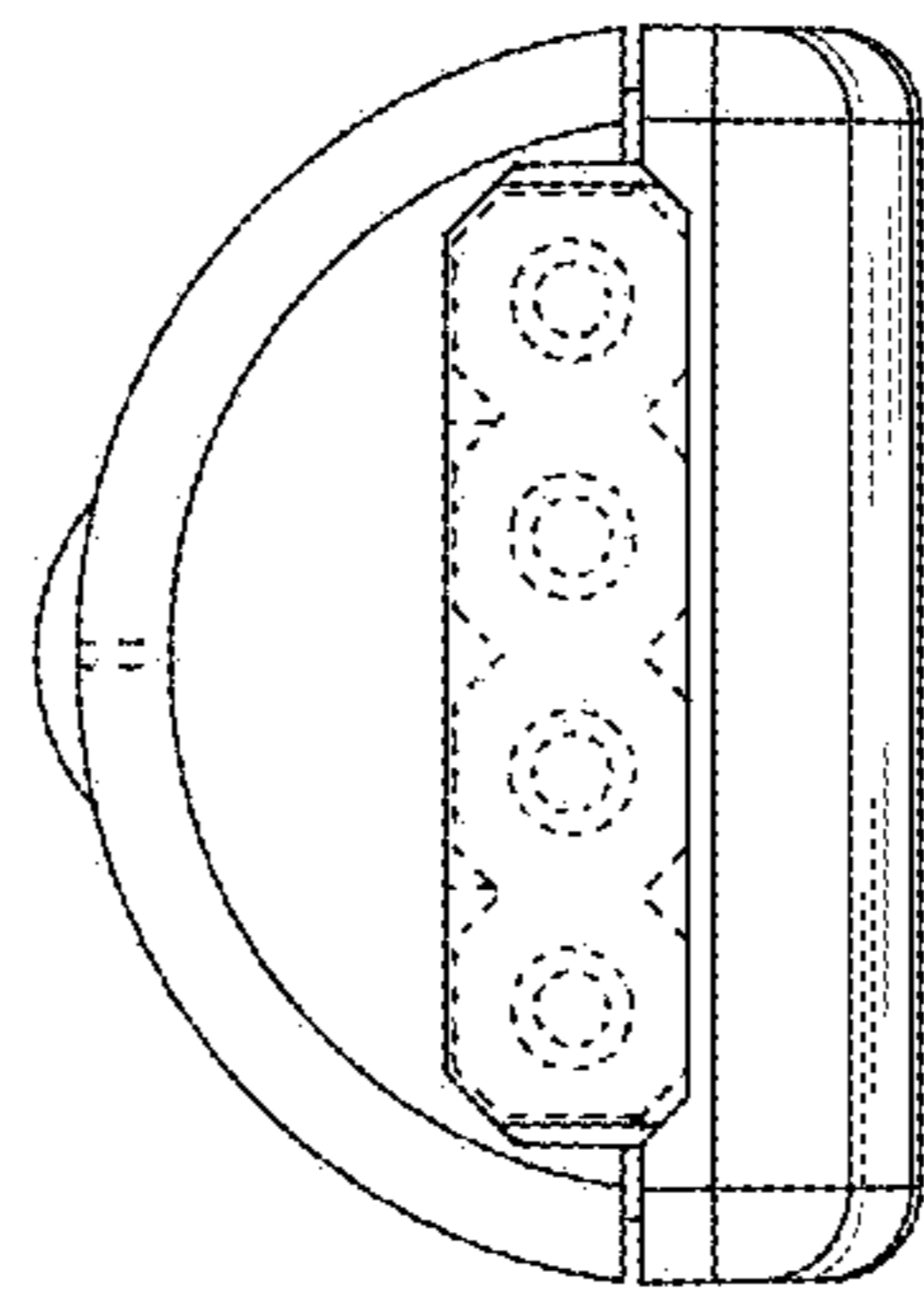


Fig. 6

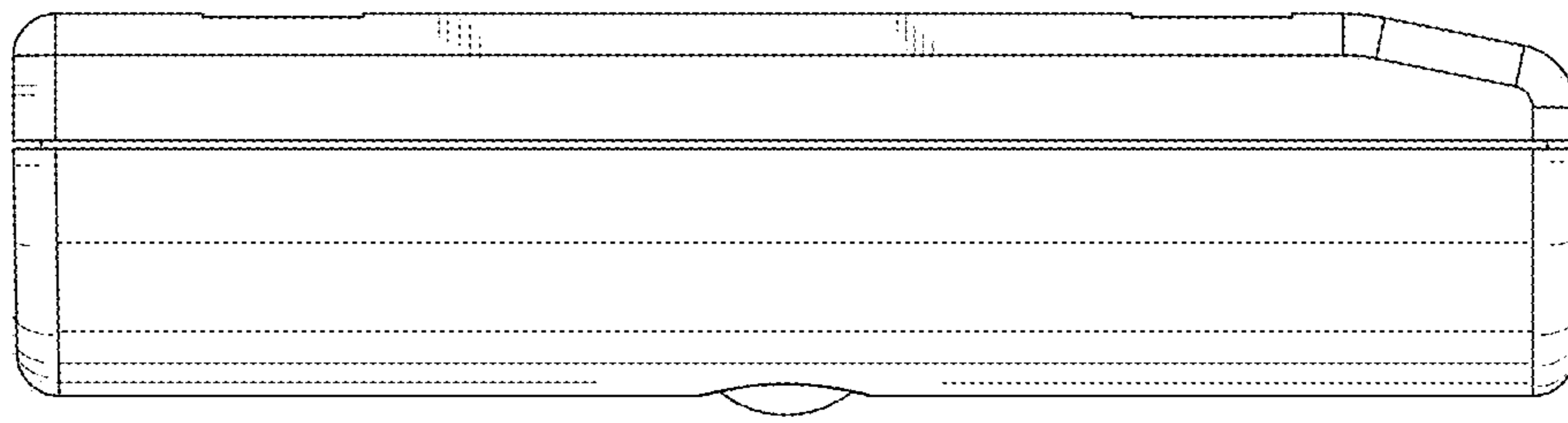


Fig. 7

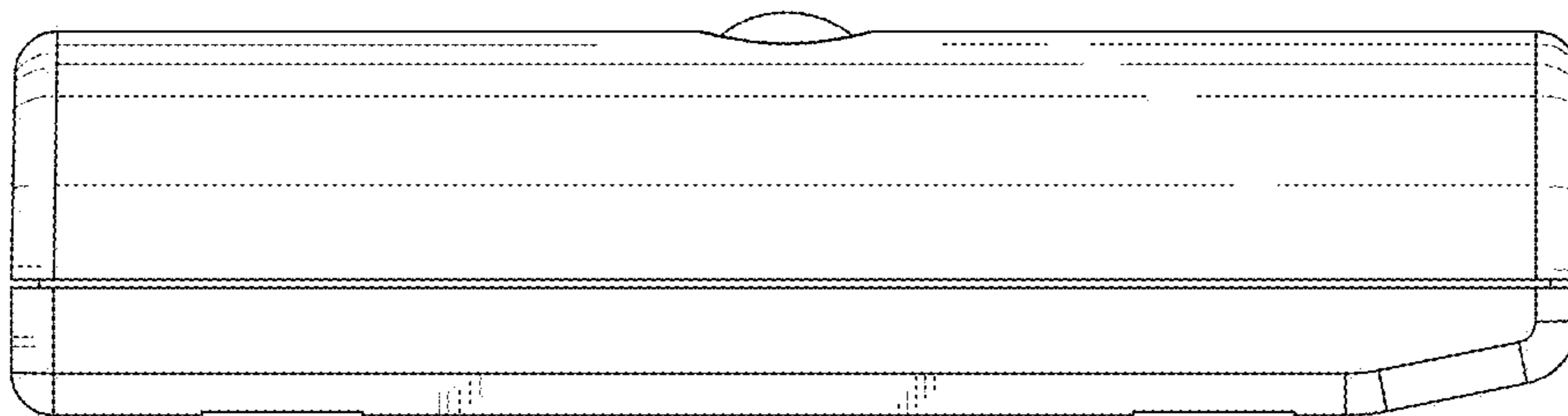


Fig. 8