

US00D955999S

(12) **United States Design Patent**
Guthmiller

(10) **Patent No.:** **US D955,999 S**
(45) **Date of Patent:** **** Jun. 28, 2022**

(54) **FLUSH MOUNT ELECTRICAL BOX ASSEMBLY**

(71) Applicant: **Marty Guthmiller**, Cave Creek, AZ (US)

(72) Inventor: **Marty Guthmiller**, Cave Creek, AZ (US)

(**) Term: **15 Years**

(21) Appl. No.: **29/807,114**

(22) Filed: **Sep. 9, 2021**

| | | | |
|-----------|----|---------|-----------------|
| 6,215,066 | B1 | 4/2001 | Kelso et al. |
| 6,229,087 | B1 | 5/2001 | Archer |
| 6,410,851 | B1 | 6/2002 | Lamar |
| D462,664 | S | 9/2002 | Roesch |
| 6,450,232 | B1 | 9/2002 | Smythe, Jr. |
| D467,229 | S | 12/2002 | Heggem |
| D478,553 | S | 8/2003 | Heggem |
| D482,661 | S | 11/2003 | Shotey |
| 6,649,835 | B2 | 11/2003 | Gilleran |
| 6,654,471 | B1 | 11/2003 | Varga |
| 6,674,003 | B1 | 1/2004 | Torres |
| 6,695,181 | B1 | 2/2004 | Kreitzer et al. |
| 6,906,260 | B2 | 6/2005 | Grendahl |
| 6,909,050 | B1 | 6/2005 | Bradford |
| 6,914,187 | B2 | 7/2005 | Hull |
| D513,495 | S | 1/2006 | Hull |

(Continued)

Related U.S. Application Data

(62) Division of application No. 29/687,665, filed on Apr. 15, 2019, now Pat. No. Des. 933,020.

(51) **LOC (13) Cl.** **13-03**

(52) **U.S. Cl.**
USPC **D13/152**

(58) **Field of Classification Search**
USPC D13/123, 126, 152, 156, 173, 177, 184
CPC H02G 3/08; H02G 3/081; H02G 3/12;
H02G 3/14; H02G 3/123; H02G 3/126
See application file for complete search history.

(56) **References Cited**

U.S. PATENT DOCUMENTS

| | | | |
|-----------|---|---------|-----------------|
| 3,386,071 | A | 5/1968 | Jimmie |
| 3,580,987 | A | 5/1971 | Priaroggia |
| 4,890,418 | A | 1/1990 | Sachs |
| 4,927,039 | A | 5/1990 | McNab |
| 5,073,681 | A | 12/1991 | Hubben |
| D329,422 | S | 9/1992 | Fujiyoshi |
| D343,825 | S | 2/1994 | Enderby |
| 5,363,269 | A | 11/1994 | McDonald |
| 5,741,158 | A | 4/1998 | Reed |
| 5,833,110 | A | 11/1998 | Chandler et al. |
| 6,106,328 | A | 8/2000 | O'Neal |

OTHER PUBLICATIONS

Utility U.S. Appl. No. 62/833,954, filed Apr. 15, 2019, Expired.
(Continued)

Primary Examiner — Selina Sikder
(74) *Attorney, Agent, or Firm* — Law Offices of Lisa & Lesko, LLC; Justin Lesko, Esq.

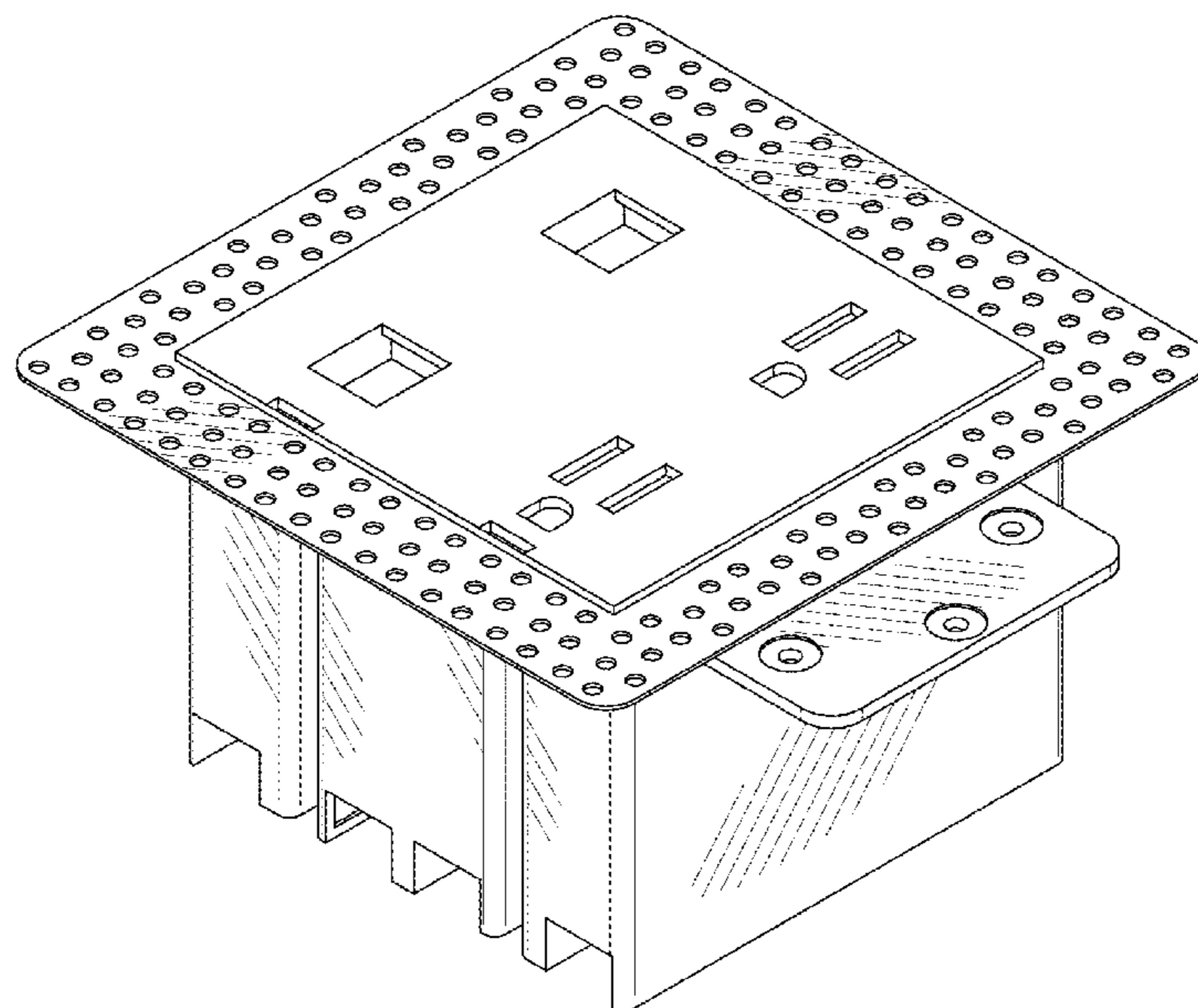
(57) **CLAIM**

I claim the ornamental design for a flush mount electrical box assembly, substantially as shown and described.

DESCRIPTION

FIG. 1 is a front perspective view of the flush mount electrical box assembly.
FIG. 2 is top view of FIG. 1.
FIG. 3 is a bottom view of FIG. 1.
FIG. 4 is a left side view of FIG. 1.
FIG. 5 is a right side view of FIG. 1.
FIG. 6 is a front view of FIG. 1; and,
FIG. 7 is a back view of FIG. 1.

1 Claim, 3 Drawing Sheets



(56)

References Cited

U.S. PATENT DOCUMENTS

| | | | | |
|--------------|-----|---------|-------------------|------------|
| D519,930 | S | 5/2006 | Hull | |
| 7,087,837 | B1 | 8/2006 | Gretz | |
| 7,098,399 | B1 | 8/2006 | Gretz et al. | |
| 7,109,419 | B1 | 9/2006 | Gretz | |
| 7,119,278 | B1 | 10/2006 | Shotey | |
| 7,166,801 | B1 | 1/2007 | Gretz | |
| D539,751 | S | 4/2007 | Kiely | |
| 7,319,192 | B1 | 1/2008 | Gretz | |
| 7,353,961 | B2 | 4/2008 | Hull | |
| 7,468,487 | B1 | 12/2008 | Murphy | |
| 7,479,598 | B1 | 1/2009 | Shotey | |
| 7,579,549 | B2 | 8/2009 | Jolly | |
| 7,595,446 | B2 | 9/2009 | Turcovsky | |
| 7,622,675 | B2 | 11/2009 | Sutter | |
| 7,674,974 | B1 | 3/2010 | Shotey et al. | |
| 7,718,893 | B2 | 5/2010 | Purves | |
| 7,732,715 | B2 | 6/2010 | Paolucci | |
| 7,789,257 | B2 | 9/2010 | Davis | |
| 7,956,295 | B2 | 6/2011 | Arbel | |
| 7,989,699 | B1 | 8/2011 | Shotey | |
| 8,013,243 | B2 | 9/2011 | Korcz et al. | |
| 8,076,577 | B2 | 12/2011 | Mango, Jr. et al. | |
| 8,124,872 | B2 | 2/2012 | Vigorito et al. | |
| 8,196,364 | B2 | 6/2012 | Moscovitch | |
| 8,242,364 | B1 | 8/2012 | Shotey | |
| 8,269,102 | B1 | 9/2012 | Baldwin | |
| 8,344,249 | B1 | 1/2013 | Baldwin | |
| D679,256 | S | 4/2013 | Ericksen | |
| D684,935 | S | 6/2013 | DeCosta | |
| 8,633,384 | B1 | 1/2014 | Shotey | |
| 8,723,037 | B1 | 5/2014 | Matsumoto | |
| 8,789,256 | B2 | 7/2014 | Temblador | |
| 8,835,763 | B1 | 9/2014 | Hammond | |
| 8,893,910 | B2 | 11/2014 | Batchelor | |
| 8,933,331 | B1 | 1/2015 | Gretz | |
| 9,024,186 | B1 | 5/2015 | Gonzalez | |
| 9,039,831 | B2 | 5/2015 | Trudeau | |
| 9,069,028 | B2 | 6/2015 | Ebner et al. | |
| 9,101,051 | B1 | 8/2015 | Ferrara et al. | |
| 9,148,004 | B1 | 9/2015 | Solomon | |
| D774,467 | S | 12/2016 | Maccarone | |
| 9,526,154 | B2 | 12/2016 | Thompson | |
| 9,608,420 | B1 | 3/2017 | Ferrara | |
| 9,777,478 | B1 | 10/2017 | Hulka et al. | |
| 9,819,167 | B2 | 11/2017 | Kummer | |
| D811,348 | S | 2/2018 | Cueller | |
| D838,250 | S | 1/2019 | Smith | |
| D886,746 | S | 6/2020 | Anadasu | |
| 10,855,066 | B2 | 12/2020 | Elliott | |
| 10,916,926 | B2* | 2/2021 | Jones | H05K 5/06 |
| D918,844 | S | 5/2021 | Wang | |
| D933,019 | S* | 10/2021 | Guthmiller | D13/152 |
| D933,020 | S* | 10/2021 | Guthmiller | D13/152 |
| 2009/0249705 | A1 | 10/2009 | Struthers et al. | |
| 2010/0186986 | A1 | 7/2010 | Kimbrell | |
| 2011/0314759 | A1 | 12/2011 | McCullough | |
| 2014/0224792 | A1 | 8/2014 | Beneke | |
| 2015/0091553 | A1 | 4/2015 | Wong | |
| 2016/0099530 | A1 | 4/2016 | Valenti et al. | |
| 2017/0110862 | A1 | 4/2017 | Kirkland | |
| 2017/0331265 | A1 | 11/2017 | Evilziser | |
| 2018/0076616 | A1 | 3/2018 | Thrush et al. | |
| 2020/0220341 | A1 | 7/2020 | Hughey | |
| 2020/0328583 | A1 | 10/2020 | Guthmiller | |
| 2021/0296870 | A1* | 9/2021 | Lee | H02G 3/123 |

OTHER PUBLICATIONS

U.S. Appl. No. 16/848,408, filed Apr. 14, 2020, Allowed, U.S. Appl. No. 62/833,954.
 U.S. Appl. No. 17/371,764, filed Jul. 9, 2021, Pending, U.S. Appl. No. 16/848,408.
 Design U.S. Appl. No. 29/687,661, filed Apr. 15, 2019, U.S. Pat. No. D. 933,019.

Design U.S. Appl. No. 29/687,665, filed Apr. 15, 2019, U.S. Pat. No. D. 933,020.
 U.S. Appl. No. 29/807,096, filed Sep. 13, 2021, Pending, U.S. Appl. No. 29/687,665.
 U.S. Appl. No. 29/807,097, filed Sep. 13, 2021, Pending, U.S. Appl. No. 29/687,665.
 U.S. Appl. No. 29/807,101, filed Sep. 13, 2021, Pending, U.S. Appl. No. 29/687,665.
 U.S. Appl. No. 29/807,112, filed Sep. 13, 2021, Pending, U.S. Appl. No. 29/687,665.
 “Zip Box Blue Switch and Outlet Boxes,” Catalog, Carlon, Jun. 2006, Last Accessed Mar. 5, 2019, Available at http://www.carlonsales.com/techinfo/brochures/electrical/Zip%20Boxes_2B1.pdf.
 “Raco Steel Boxes, Covers and Accessories,” Catalog, Hubbell, 2014, [A6], [A53-A54], Last Accessed Mar. 5, 2019, Available at <https://hubbellcdn.com/ohwassets/HCI/RACO/Catalog/steelboxescoversaccessories.pdf>.
 “Switch & Outlet Boxes—Technical Data,” Catalog, Cooper Industries (EATON), 2015. Last Accessed Mar. 5, 2019, Available at <http://www.cooperindustries.com/content/dam/public/crousehinds/commercial-products/catalog-pdfs/cp-catalog-outlet-box-section.pdf>.
 “Steel City Metallic Boxes and Covers,” Catalog, Thomas & Betts, 2013, Last Accessed Mar. 5, 2019, Available at http://www.lawoolley.com/pdf/steel_city_boxes.pdf.
 “Catalogue, Section B—Decora Devices,” Catalog, Leviton, Date Unknown, [12-19], Last Accessed Mar. 9, 2019, Available at https://stevenengineering.com/tech_support/PDFs/74L101B.pdf.
 “Industrial Specification Grade 15 Amp and 20 Amp Duplex Receptacles,” Catalog, Leviton, 1995, Last Accessed Mar. 5, 2019, Available at http://stevenengineering.com/Tech_Support/PDFs/74INDREC.pdf.
 “Commercial grade straight blade duplex receptacles,” Catalog, Cooper Industries, Feb. 2018, Last Accessed Mar. 6, 2019, Available at http://www.cooperindustries.com/content/dam/public/wiringdevices/products/documents/spec_sheets2/commerical_grade_receptacles_spec_sheet.pdf.
 “Arrow Hart hospital grade self-test GFCI receptacles,” Catalog, Cooper Industries, Apr. 2018 Last Accessed Mar. 6, 2019, Available at http://www.cooperindustries.com/content/dam/public/wiringdevices/products/documents/spec_sheets2/hospital_grade_gfci_specsheet.pdf.
 “Section X,” Catalog, Hubbell, Date Unknown, Last Accessed Mar. 6, 2019, Available at http://ecatalog_hubbell-wiring.com/press/catalog/x.pdf.
 “Datacom Accessories Catalog,” Catalog, Structured Cable Products, Date Unknown, Last Accessed Mar. 9, 2019, Available at <https://www.spcat5e.com/catalog/scp-datacom-accessories.pdf>.
 “RJ45 Connectors,” Catalog, Polamco, 2010, Last Accessed Mar. 6, 2019, Available at <http://www.farnell.com/datasheets/1581551.pdf>.
 “EZ-RJ45 Connector,” Catalog, Leviton, 2003, Last Accessed Mar. 6, 2019, Available at <https://www.accu-tech.com/hs-fs/hub/54495/file-177725291-pdf/docs/specs/47613-ezc.pdf>.
 “High Voltage Wire and Cable General Specifications,” Data Sheet, RI, Date Unknown, Last Accessed Mar. 6, 2019, Available at <http://www.comcraft.co.jp/products/teledynereynolds/data/multi-cables.pdf>.
 “Building Wire,” Catalog, General Cable, Oct. 2012, Last Accessed Mar. 6, 2019, Available at http://www.aainy.com/pdf/building_wire.pdf.
 “USG Sheetrock Brand Gypsum Panels,” Submittal Sheet, USG, Jun. 2017, Last Accessed Mar. 5, 2019, Available at https://www.usg.com/content/dam/USG_Marketing_Communicatons/united_states/product_promotional_materials/finished_assets/sheetrock-gypsum-panels-regular-firecode-cores-submittal-WB1473.pdf.
 “Durasan Prefinished Gypsum Board,” Catalog, Gold Bond, Jul. 2018, Last Accessed Mar. 5, 2019, Available at <https://nationalgypsum.com/File/09%2072%2000-34.pdf>.
 “USG Sheetrock Brand Installation and Finishing Guide,” Manual, USG, Sep. 2015, Last Accessed Mar. 5, 2019, Available at https://www.usg.com/content/dam/USG_Marketing_Communications/united_states/product_promotional_materials/finished_assets/sheetrock-gypsum-panels-installation-guide-en-J371.pdf.

(56)

References Cited

OTHER PUBLICATIONS

“DensShield Tile Backer Technical Guide,” Manual, Georgia-Pacific, Feb. 2018, Last Accessed Mar. 5, 2019, Available at <https://cache5.buildgp.com/wp-content/uploads/2018/11/DensShield-Tile-Backer-Technical-Guide.pdf>.

“Dricore Smartwall Detailed Installation,” Manual, Dricore, Date Unknown, Last Accessed Mar. 5, 2019, Available at http://www.dricore.com/nw/PDF/Detailed_Installation_Guide_web-2.pdf?_ga=2.2754935.698343861.1551842844-1360570901.1551842844.

Taylor, Glenda, “How to: Mud Drywall,” Article, BobVila, Date Unknown, Last Accessed Mar. 8, 2019, Available at <https://www.bobvila.com/articles/how-to-mud-drywall/>.

“Hot to Hand Drywall and Mud” Article, diy Network, Date Unknown, Last Accessed Mar. 8, 2019, Available at <https://www.diynetwork.com/how-to/rooms-and-spaces/walls-and-ceilings/how-to-hang-drywall-and-mud>.

“How to Hang Drywall” Article, Lowe’s, Date Unknown, Last accessed Mar. 8, 2019, Available at <https://www.lowes.com/projects/build-and-remodel/how-to-hang-drywall/project>.

“Proform Brand All Purpose Joint Compound,” Catalog, National Gypsum, Feb. 2019, Last Accessed Mar. 5, 2019, Available at <https://www.nationalgypsum.com/File/09%2029%2000-43.pdf>.

“USG Sheetrock Brand All Purpose Joint Compound,” Submittal Sheet, USG, Oct. 2016, Last Accessed Mar. 5, 2019, Available at http://pdf.lowes.com/operatingguides/081099203602_oper.pdf.

“DAP Phenopatch Premium Lightweight Joint Compound with Drydex Dry Time Indicator Technology,” Bulletin, Phenopatch, Nov. 2013, Last Accessed Mar. 5, 2019, Available at <http://www.phenopatch.com/docs/tdb/9.pdf>.

“Drywall Screw, Bugle Head, Cross Recessed Drive, Pierce Point, Coarse Thread, Yellow Zinc,” Catalog, Fastenal, Oct. 2018, Last Accessed Mar. 6, 2019, Available at https://www.fastenal.com/content/product_specifications/DRWL.BHPH.PP.COR.YZ.pdf.

“Wallplate Buying Guide,” Catalog, Leviton, 2015, Last Accessed Mar. 8, 2019, Available at <https://images.homedepot-static.com/catalog/pdfimages/56/566b87e5-ea5a-4976-a9d2-9f699b7d8680.pdf>.

“2016 Arrow Hart Buyers Guide, Section K,” Catalog, Eaton, 2016, Last Accessed Mar. 8, 2019, Available at <http://www.cooperindustries.com/content/dam/public/wiringdevices/BuyersGuides/AHBG/K/AHBG-K-Sec.pdf>.

“Installation Guide,” Manual, TRUFIG, Dec. 2016, [5-7], Last Accessed Mar. 8, 2019, Available at https://static1.squarespace.com/static/56746411c647ad126efd0b08/t/5841f4d09f7456bcf344653b/1480717524900/TRUFIG+Install+Guide_12-02-16.pdf.

TRUFIG Sales Brochure, TRUFIG, 2013, Last Accessed Mar. 8, 2019, Available at https://static1.squarespace.com/static/56746411c647ad126efd0608/t/57b1fdd9f5e231d16e9f2a4f/1471282658946/Trufig_Brochure.pdf.

“Retail Price List,” Catalog, TRUFIG, Oct. 2016, Last Accessed Mar. 8, 2019, Available at https://static1.squarespace.com/static/56746411c647ad126efd0608/t/57f5357b2e69cfc6c9816b3/1475687807191/TRUFIG+Retail+Price+List_10_4_16.pdf.

Non-Final Office Action in U.S. Appl. No. 16/848,408, (dated May 11, 2021).

Response to Non-Final Office Action in U.S. Appl. No. 16/848,408 (dated Mar. 10, 2021).

Notice of Allowance in U.S. Appl. No. 16/848,408, (dated Jun. 24, 2021).

Notice of Allowance in U.S. Appl. No. 29/687,661, (dated Aug. 4, 2021).

Notice of Allowance in U.S. Appl. No. 29/687,661, (dated Sep. 13, 2021).

Notice of Allowance in U.S. Appl. No. 29/687,665, (dated Sep. 2, 2021).

* cited by examiner

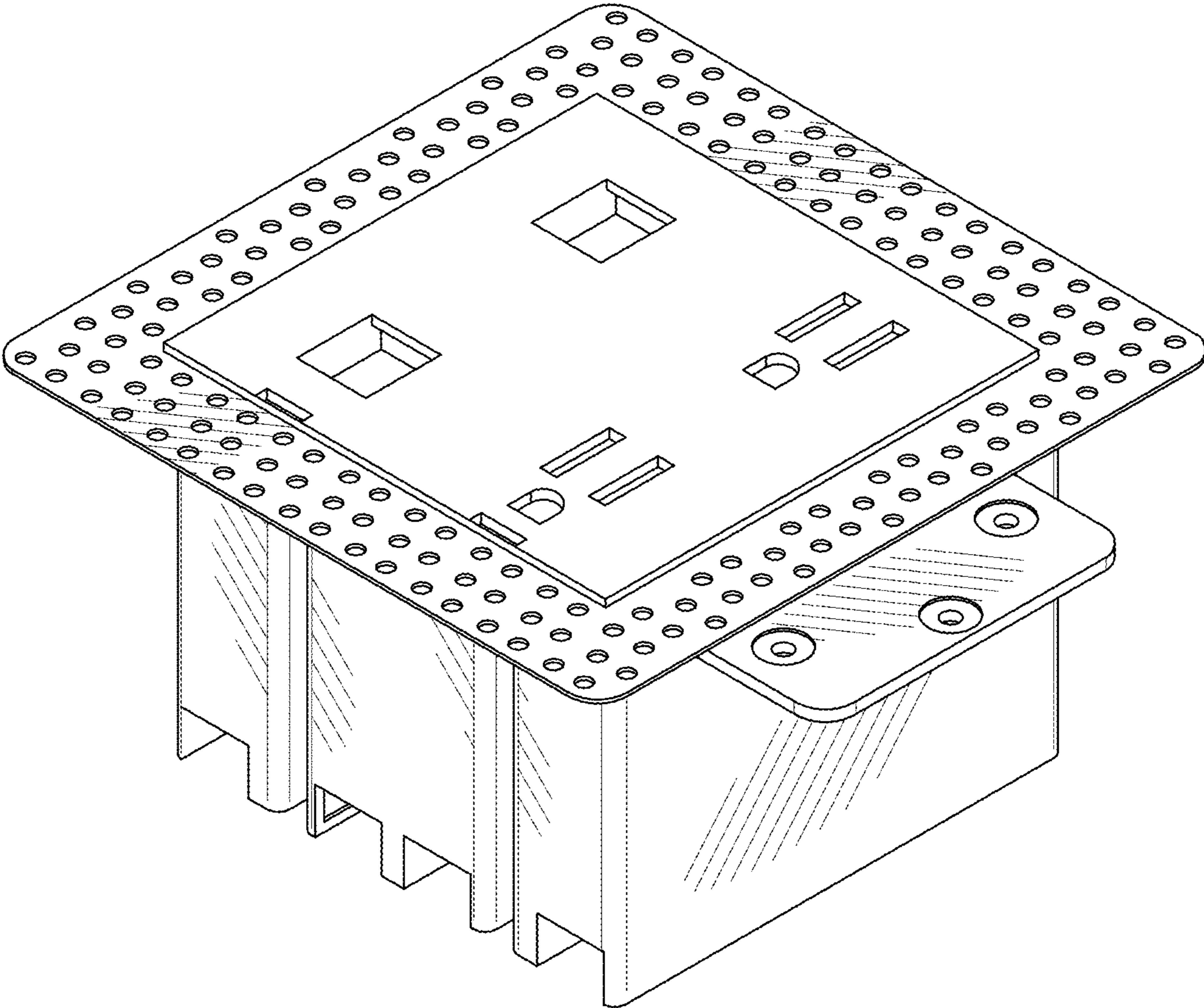


FIG. 1

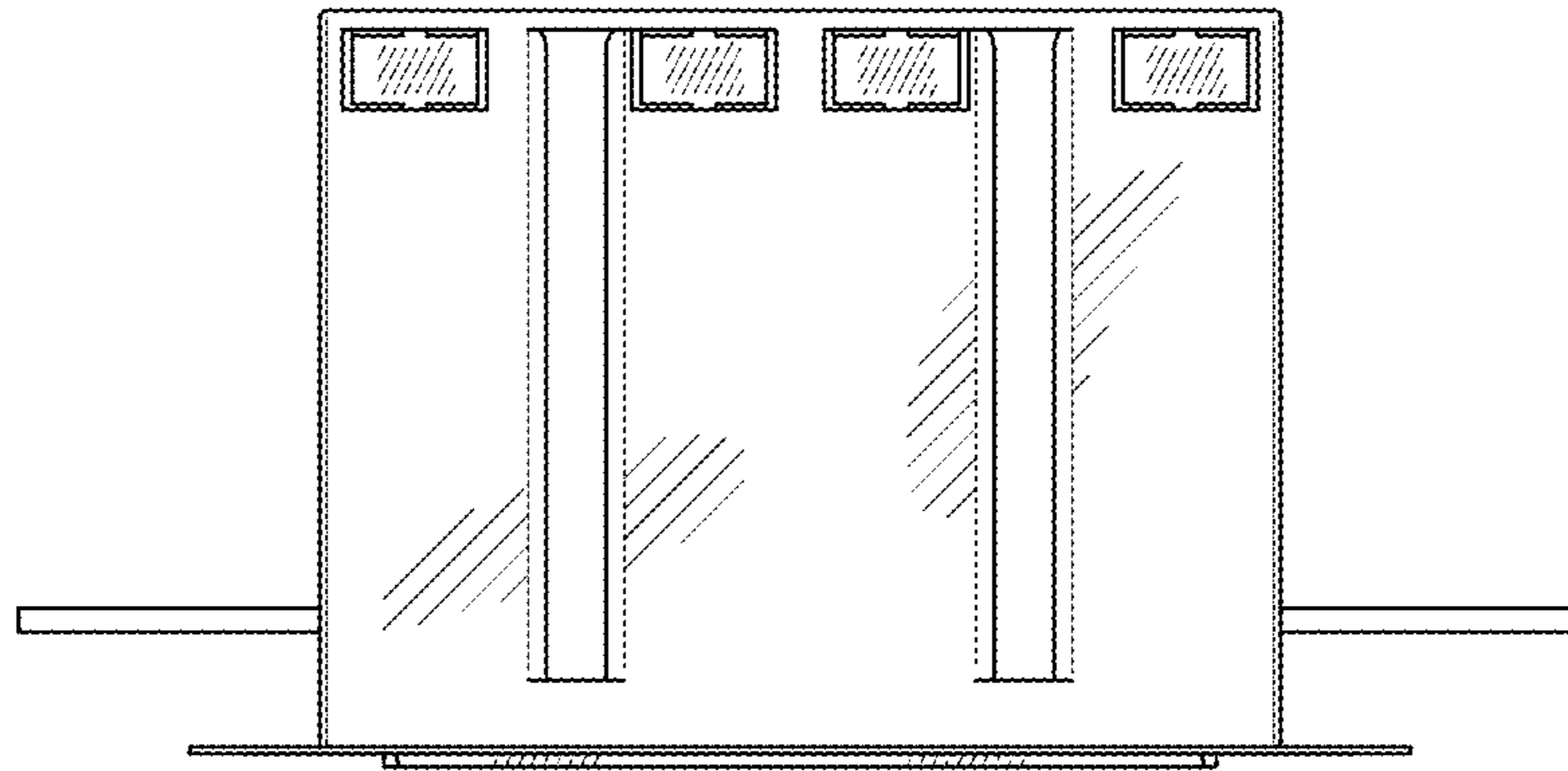


FIG. 2

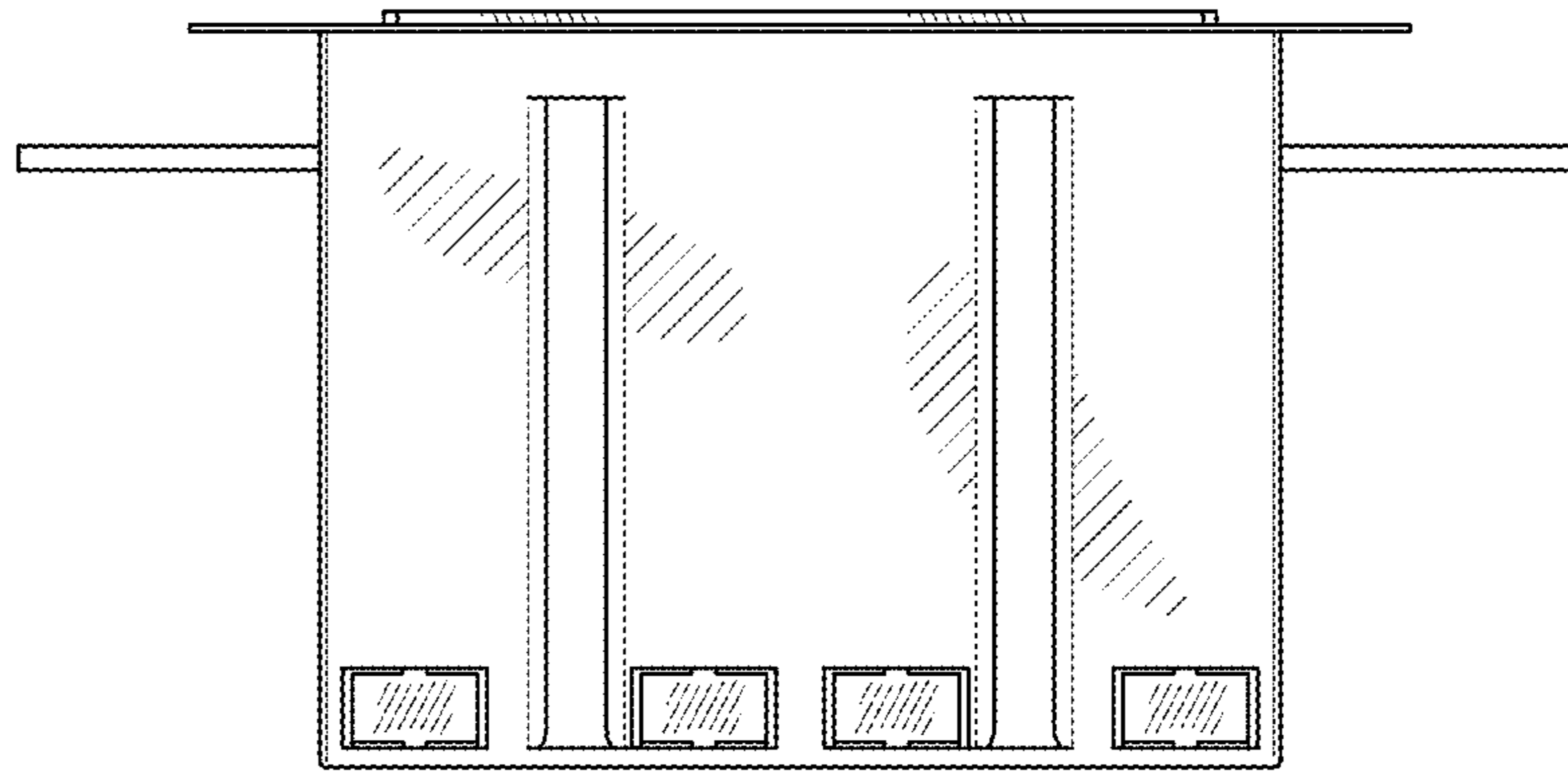


FIG. 3

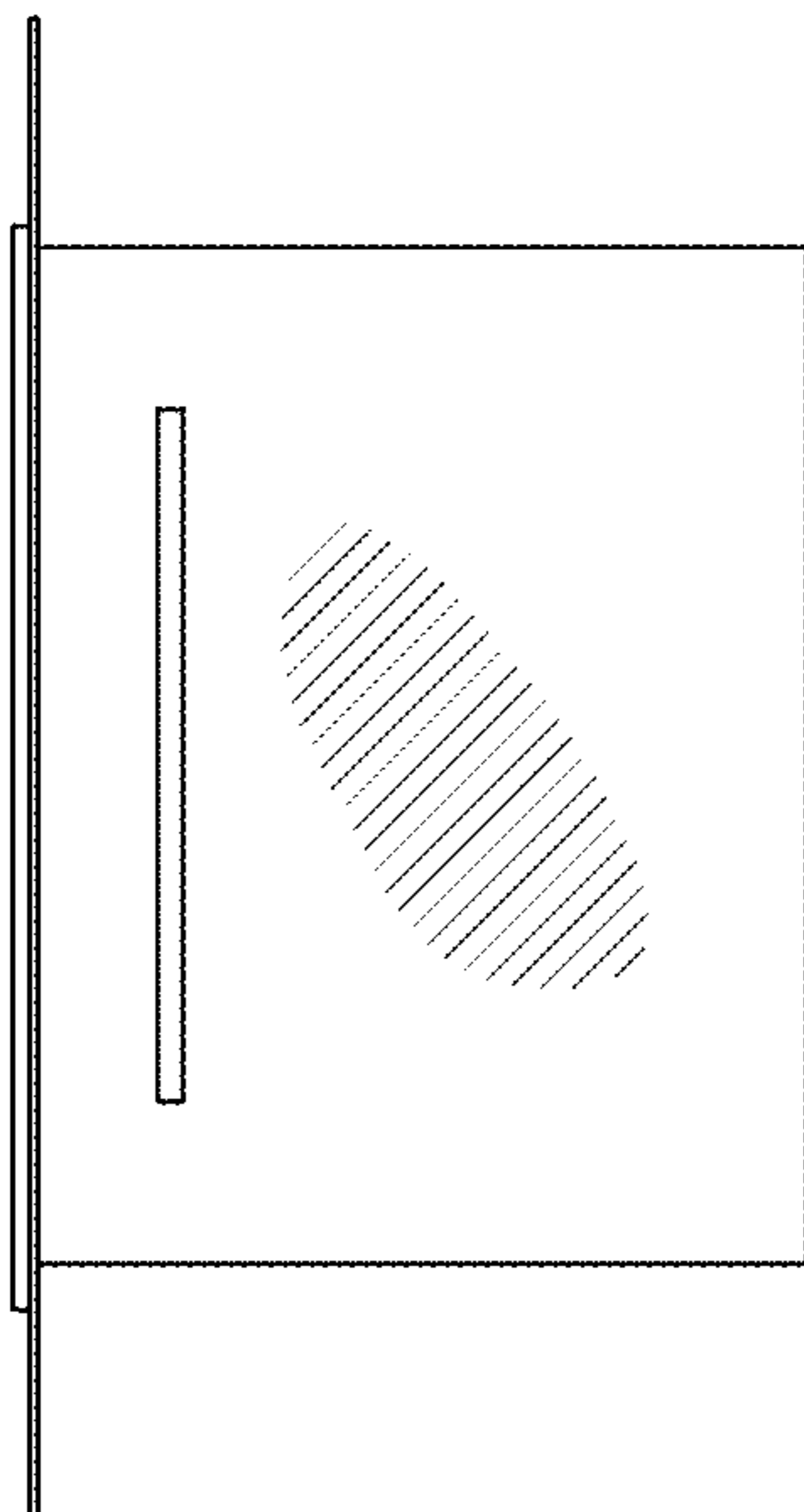


FIG. 4

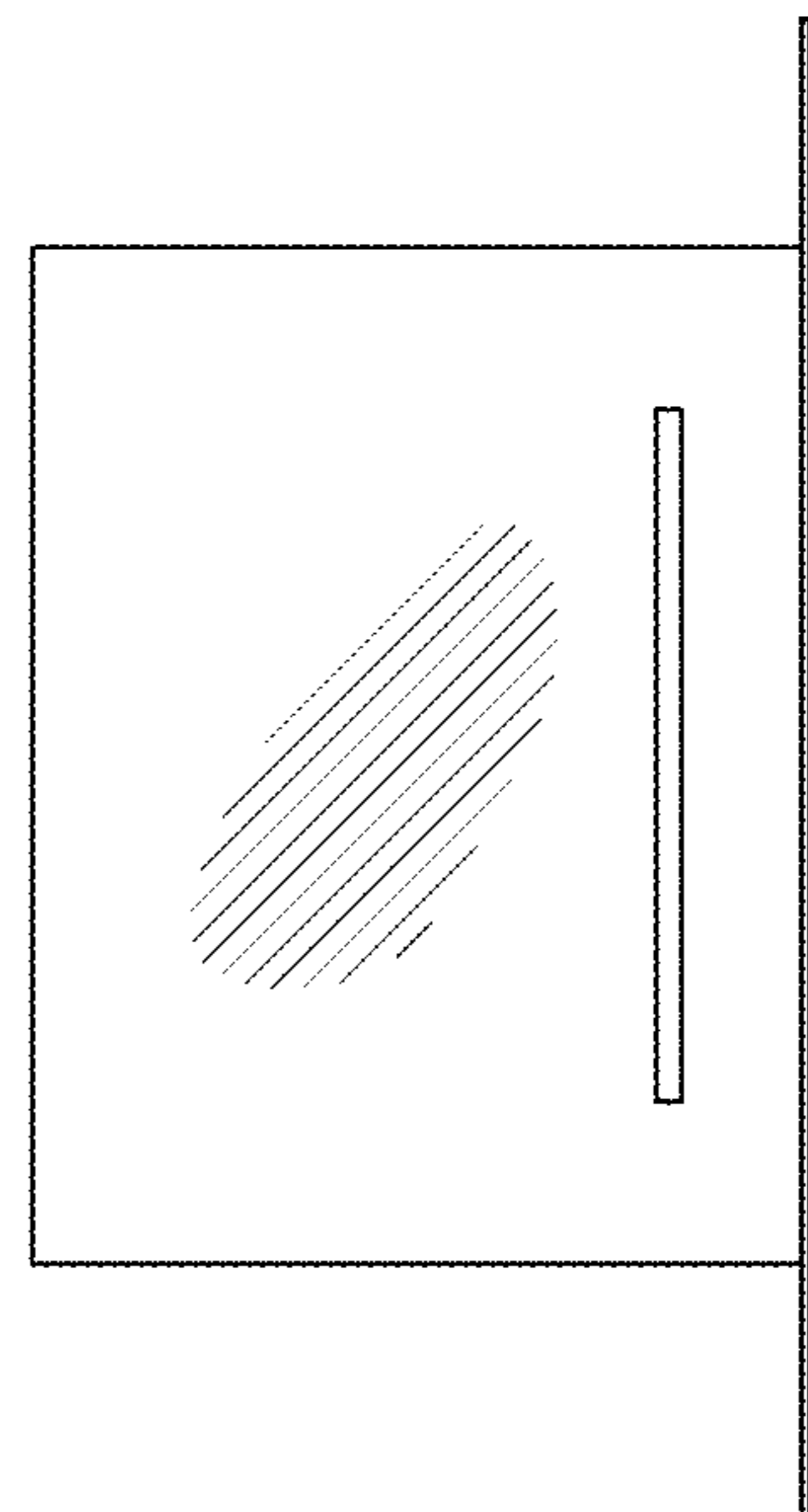


FIG. 5

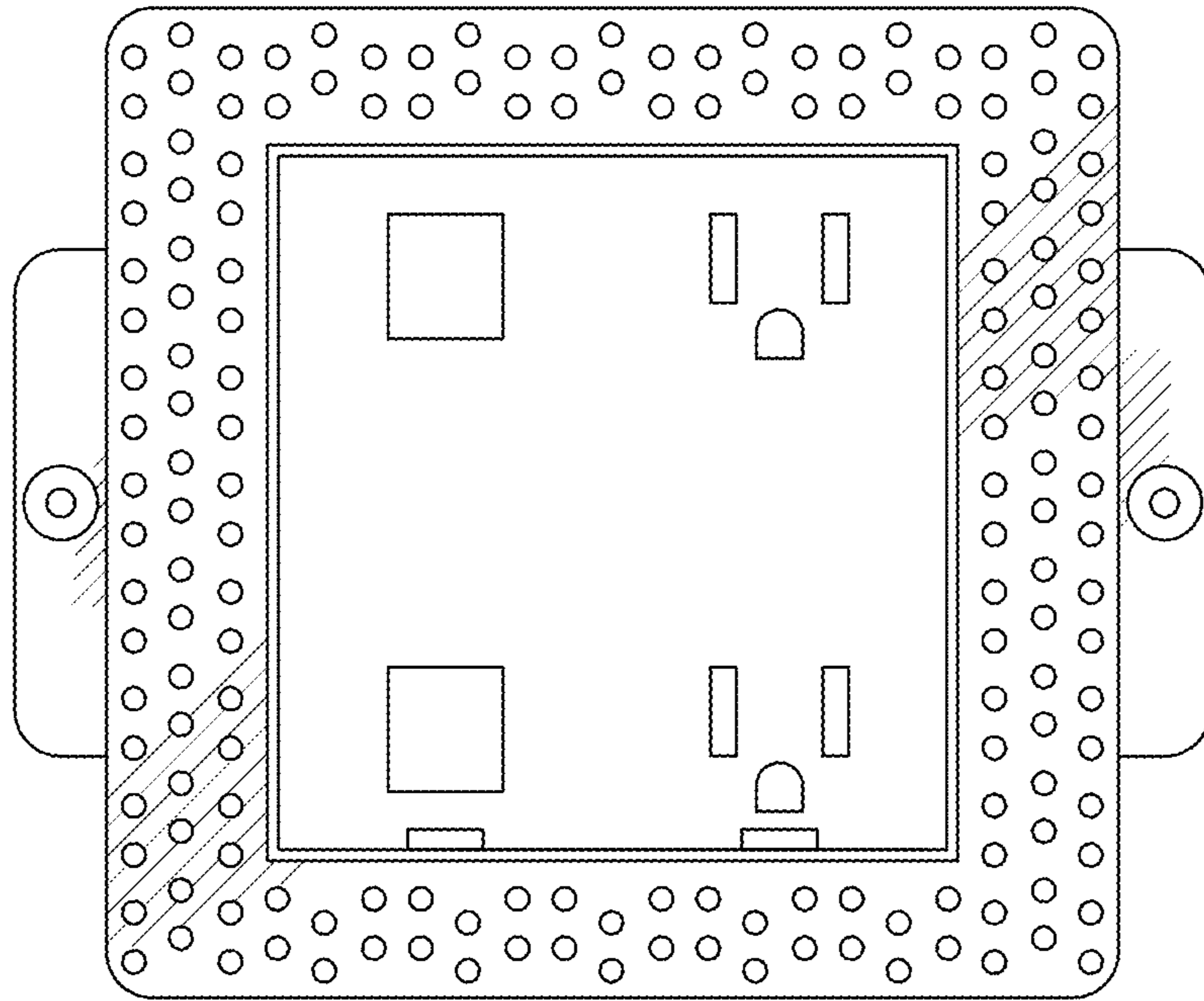


FIG. 6

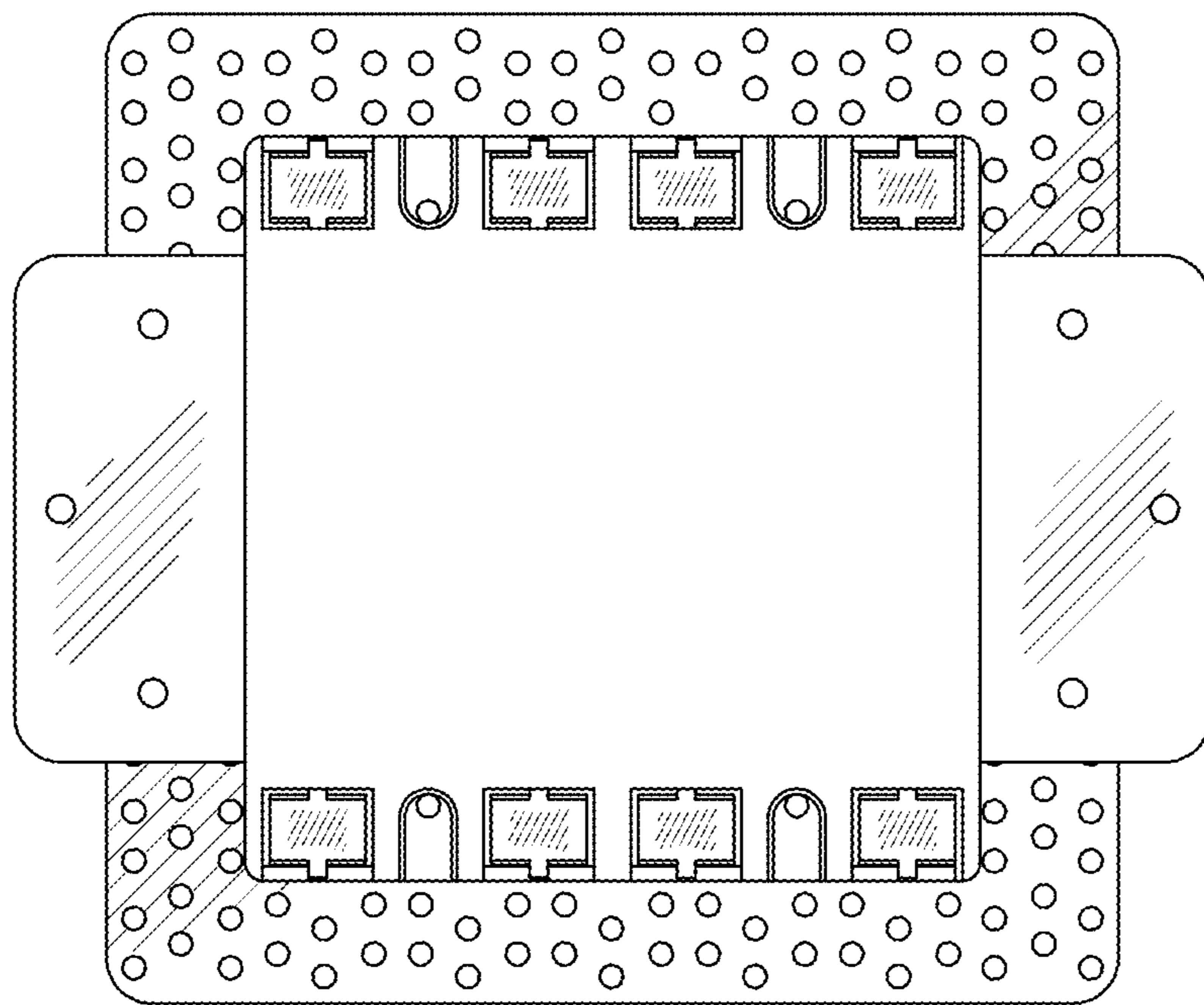


FIG. 7