



US00D955997S

(12) **United States Design Patent**  
**Guthmiller**

(10) **Patent No.:** **US D955,997 S**  
(45) **Date of Patent:** **\*\* Jun. 28, 2022**

(54) **FLUSH MOUNT ELECTRICAL BOX ASSEMBLY**

(71) Applicant: **Marty Guthmiller**, Cave Creek, AZ (US)

(72) Inventor: **Marty Guthmiller**, Cave Creek, AZ (US)

(\*\*) Term: **15 Years**

(21) Appl. No.: **29/807,101**

(22) Filed: **Sep. 9, 2021**

6,215,066	B1	4/2001	Kelso et al.
6,229,087	B1	5/2001	Archer
6,410,851	B1	6/2002	Lamar
D462,664	S	9/2002	Roesch
6,450,232	B1	9/2002	Smythe, Jr.
D467,229	S	12/2002	Heggem
D478,553	S	8/2003	Heggem
D482,661	S	11/2003	Shotey
6,649,835	B2	11/2003	Gilleran
6,654,471	B1	11/2003	Varga
6,674,003	B1	1/2004	Torres
6,695,181	B1	2/2004	Kreitzer et al.
6,906,260	B2	6/2005	Grendahl
6,909,050	B1	6/2005	Bradford
6,914,187	B2	7/2005	Hull
D513,495	S	1/2006	Hull

(Continued)

**Related U.S. Application Data**

(62) Division of application No. 29/687,665, filed on Apr. 15, 2019, now Pat. No. Des. 933,020.

(51) **LOC (13) Cl.** ..... **13-03**

(52) **U.S. Cl.**  
USPC ..... **D13/152**

(58) **Field of Classification Search**  
USPC ..... D13/123, 126, 152, 156, 173, 177, 184  
CPC ..... H02G 3/08; H02G 3/081; H02G 3/12;  
H02G 3/14; H02G 3/123; H02G 3/126  
See application file for complete search history.

(56) **References Cited**

**U.S. PATENT DOCUMENTS**

3,386,071	A	5/1968	Jimmie
3,580,987	A	5/1971	Priaroggia
4,890,418	A	1/1990	Sachs
4,927,039	A	5/1990	McNab
5,073,681	A	12/1991	Hubben
D329,422	S	9/1992	Fujiyoshi
D343,825	S	2/1994	Enderby
5,363,269	A	11/1994	McDonald
5,741,158	A	4/1998	Reed
5,833,110	A	11/1998	Chandler et al.
6,106,328	A	8/2000	O'Neal

**OTHER PUBLICATIONS**

U.S. Appl. No. 62/833,954, filed Apr. 15, 2019, Expired.

(Continued)

*Primary Examiner* — Selina Sikder

(74) *Attorney, Agent, or Firm* — Law Offices of Lisa & Lesko, LLC; Justin Lesko, Esq.

(57) **CLAIM**

I claim the ornamental design for a flush mount electrical box assembly, substantially as shown and described.

**DESCRIPTION**

FIG. 1 is a front perspective view of the flush mount electrical box assembly.

FIG. 2 is top view of FIG. 1.

FIG. 3 is a bottom view of FIG. 1.

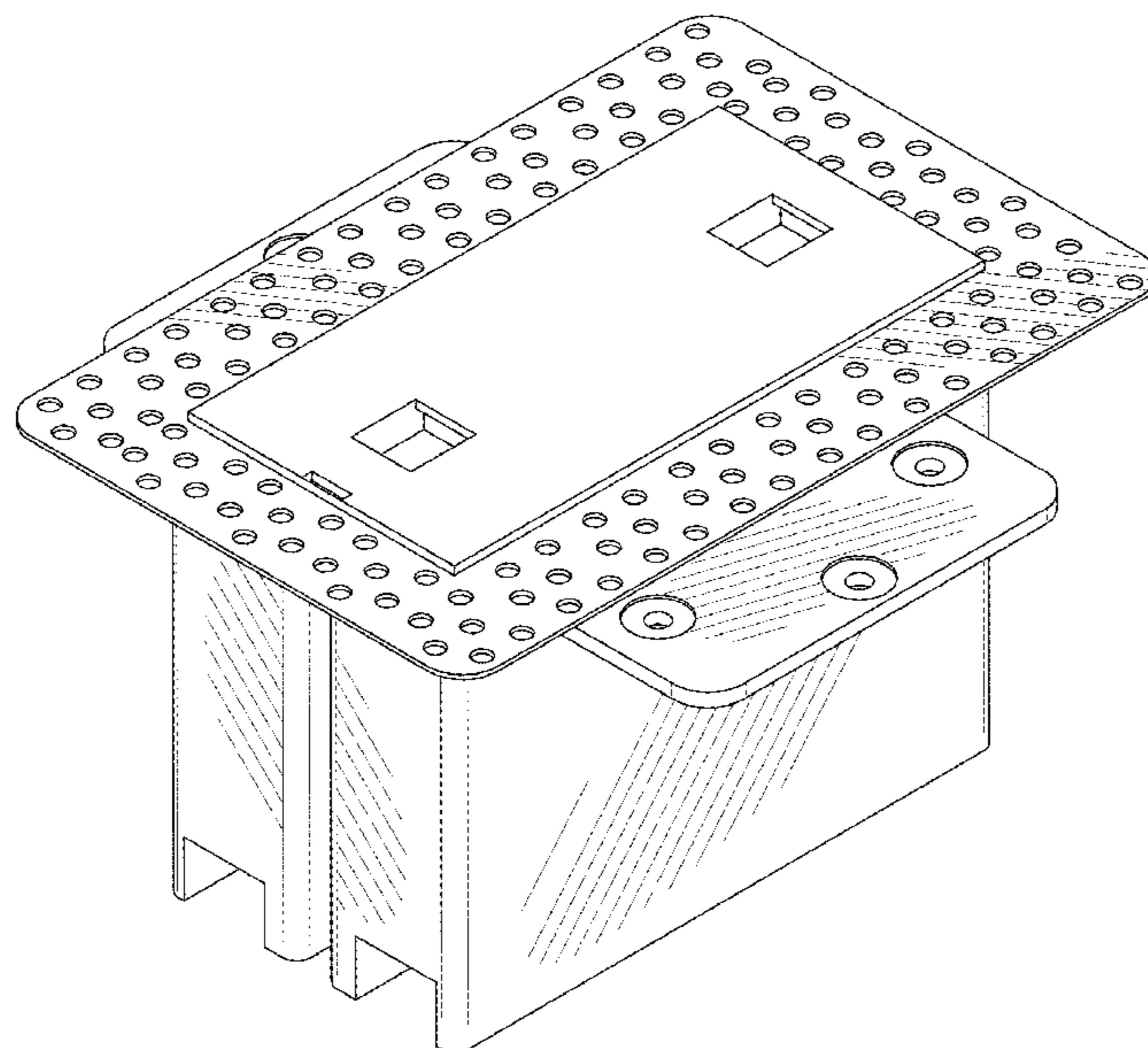
FIG. 4 is a left side view of FIG. 1.

FIG. 5 is a right side view of FIG. 1.

FIG. 6 is a front view of FIG. 1; and,

FIG. 7 is a back view of FIG. 1.

**1 Claim, 3 Drawing Sheets**



(56)

References Cited

U.S. PATENT DOCUMENTS

D519,930	S	5/2006	Hull	
7,087,837	B1	8/2006	Gretz	
7,098,399	B1	8/2006	Gretz et al.	
7,109,419	B1	9/2006	Gretz	
7,119,278	B1	10/2006	Shotey	
7,166,801	B1	1/2007	Gretz	
D539,751	S	4/2007	Kiely	
7,319,192	B1	1/2008	Gretz	
7,353,961	B2	4/2008	Hull	
7,468,487	B1	12/2008	Murphy	
7,479,598	B1	1/2009	Shotey	
7,579,549	B2	8/2009	Jolly	
7,595,446	B2	9/2009	Turcovsky	
7,622,675	B2	11/2009	Sutter	
7,674,974	B1	3/2010	Shotey et al.	
7,718,893	B2	5/2010	Purves	
7,732,715	B2	6/2010	Paolucci	
7,789,257	B2	9/2010	Davis	
7,956,295	B2	6/2011	Arbel	
7,989,699	B1	8/2011	Shotey	
8,013,243	B2	9/2011	Korcz et al.	
8,076,577	B2	12/2011	Mango, Jr. et al.	
8,124,872	B2	2/2012	Vigorito et al.	
8,196,364	B2	6/2012	Moscovitch	
8,242,364	B1	8/2012	Shotey	
8,269,102	B1	9/2012	Baldwin	
8,344,249	B1	1/2013	Baldwin	
D679,256	S	4/2013	Ericksen	
D684,935	S	6/2013	DeCosta	
8,633,384	B1	1/2014	Shotey	
8,723,037	B1	5/2014	Matsumoto	
8,789,256	B2	7/2014	Temblador	
8,835,763	B1	9/2014	Hammond	
8,893,910	B2	11/2014	Batchelor	
8,933,331	B1	1/2015	Gretz	
9,024,186	B1	5/2015	Gonzalez	
9,039,831	B2	5/2015	Trudeau	
9,069,028	B2	6/2015	Ebner et al.	
9,101,051	B1	8/2015	Ferrara	
9,148,004	B1	9/2015	Solomon	
D774,467	S	12/2016	Maccarone	
9,526,154	B2	12/2016	Thompson	
9,608,420	B1	3/2017	Ferrara	
9,777,478	B1	10/2017	Hulka et al.	
9,819,167	B2	11/2017	Kummer	
D811,348	S	2/2018	Cueller	
D838,250	S	1/2019	Smith	
D886,746	S	6/2020	Anadasu	
10,855,066	B2	12/2020	Elliott	
10,916,926	B2*	2/2021	Jones	H05K 5/06
D918,844	S	5/2021	Wang	
D933,019	S*	10/2021	Guthmiller	D13/152
D933,020	S*	10/2021	Guthmiller	D13/152
2009/0249705	A1	10/2009	Struthers et al.	
2010/0186986	A1	7/2010	Kimbrell	
2011/0314759	A1	12/2011	McCullough	
2014/0224792	A1	8/2014	Beneke	
2015/0091553	A1	4/2015	Wong	
2016/0099530	A1	4/2016	Valenti et al.	
2017/0110862	A1	4/2017	Kirkland	
2017/0331265	A1	11/2017	Evilziser	
2018/0076616	A1	3/2018	Thrush et al.	
2020/0220341	A1	7/2020	Hughey	
2020/0328583	A1	10/2020	Guthmiller	
2021/0296870	A1*	9/2021	Lee	H02G 3/123

OTHER PUBLICATIONS

U.S. Appl. No. 16/848,408, filed Apr. 14, 2020, Continuation of U.S. Appl. No. 62/833,954, Allowed.  
 U.S. Appl. No. 17/371,764, filed Jul. 9, 2021, Continuation of U.S. Appl. No. 16/848,408, Pending.  
 Design U.S. Appl. No. 29/687,661, filed Apr. 15, 2019, U.S. Pat. No. D933019.

Design U.S. Appl. No. 29/687,665, filed Apr. 15, 2019, U.S. Pat. No. D933,020.  
 U.S. Appl. No. 29/807,096, filed Sep. 13, 2021, Divisional of U.S. Appl. No. 29/687,665, Pending.  
 U.S. Appl. No. 29/807,097, filed Sep. 13, 2021, Divisional of U.S. Appl. No. 29/687,665, Pending.  
 U.S. Appl. No. 29/807,112, filed Sep. 13, 2021, Divisional of U.S. Appl. No. 29/687,665, Pending.  
 U.S. Appl. No. 29/807,114, filed Sep. 13, 2021, Divisional of U.S. Appl. No. 29/687,665, Pending.  
 “Zip Box Blue Switch and Outlet Boxes,” Catalog, Carlon, Jun. 2006, Last Accessed Mar. 5, 2019, Available at [http://www.carlonsales.com/techinfo/brochures/electrical/Zip%20Boxes\\_2B1.pdf](http://www.carlonsales.com/techinfo/brochures/electrical/Zip%20Boxes_2B1.pdf).  
 “Raco Steel Boxes, Covers and Accessories,” Catalog, Hubbell, 2014, [A6], [A53-A54], Last Accessed Mar. 5, 2019, Available at <https://hubbellcdn.com/ohwassets/HCI/RACO/Catalog/steelboxescoversaccessories.pdf>.  
 “Switch & Outlet Boxes—Technical Data,” Catalog, Cooper Industries (EATON), 2015. Last Accessed Mar. 5, 2019, Available at <http://www.cooperindustries.com/content/dam/public/crousehinds/commercial-products/catalog-pdfs/cp-catalog-outlet-box-section.pdf>.  
 “Steel City Metallic Boxes and Covers,” Catalog, Thomas & Betts, 2013, Last Accessed Mar. 5, 2019, Available at [http://www.lawoolley.com/pdf/steel\\_city\\_boxes.pdf](http://www.lawoolley.com/pdf/steel_city_boxes.pdf).  
 “Catalogue, Section B—Decora Devices,” Catalog, Leviton, Date Unknown, [Dec. 2019], Last Accessed Mar. 9, 2019, Available at [https://stevenengineering.com/tech\\_support/PDFs/74L101B.pdf](https://stevenengineering.com/tech_support/PDFs/74L101B.pdf).  
 “Industrial Specification Grade 15 Amp and 20 Amp Duplex Receptacles,” Catalog, Leviton, 1995, Last Accessed Mar. 5, 2019, Available at [http://stevenengineering.com/Tech\\_Support/PDFs/74INDREC.pdf](http://stevenengineering.com/Tech_Support/PDFs/74INDREC.pdf).  
 “Commercial grade straight blade duplex receptacles,” Catalog, Cooper Industries, Feb. 2018, Last Accessed Mar. 6, 2019, Available at [http://www.cooperindustries.com/content/dam/public/wiringdevices/products/documents/spec\\_sheets2/commercial\\_grade\\_receptacles\\_spec\\_sheet.pdf](http://www.cooperindustries.com/content/dam/public/wiringdevices/products/documents/spec_sheets2/commercial_grade_receptacles_spec_sheet.pdf).  
 “Arrow Hart hospital grade self-test GFCI receptacles,” Catalog, Cooper Industries, Apr. 2018 Last Accessed Mar. 6, 2019, Available at [http://www.cooperindustries.com/content/dam/public/wiringdevices/products/documents/spec\\_sheets2/hospital\\_grade\\_gfci\\_specsheet.pdf](http://www.cooperindustries.com/content/dam/public/wiringdevices/products/documents/spec_sheets2/hospital_grade_gfci_specsheet.pdf).  
 “Section X,” Catalog, Hubbell, Date Unknown, Last Accessed Mar. 6, 2019, Available at <http://ecatalog.hubbell-wiring.com/press/catalog/x.pdf>.  
 “Datacom Accessories Catalog,” Catalog, Structured Cable Products, Date Unknown, Last Accessed Mar. 9, 2019, Available at <https://www.scpca5e.com/catalog/scp-datacom-accessories.pdf>.  
 “RJ45 Connectors,” Catalog, Polamco, 2010, Last Accessed Mar. 6, 2019, Available at <http://www.farnell.com/datasheets/1581151.pdf>.  
 “EZ-RJ45 Connector,” Catalog, Leviton, 2003, Last Accessed Mar. 6, 2019, Available at <https://www.accu-tech.com/hs-fs/hub/54495/file-17725291-pdf/docs/specs/47613-ezc.pdf>.  
 “High Voltage Wire and Cable General Specifications,” Data Sheet, RI, Date Unknown, Last Accessed Mar. 6, 2019, Available at <http://www.comcraft.co.jp/products/teledynereynolds/data/multi-cables.pdf>.  
 “Building Wire,” Catalog, General Cable, Oct. 2012, Last Accessed Mar. 6, 2019, Available at [http://www.aainy.com/pdf/building\\_wire.pdf](http://www.aainy.com/pdf/building_wire.pdf).  
 “USG Sheetrock Brand Gypsum Panels,” Submittal Sheet, USG, Jun. 2017, Last Accessed Mar. 5, 2019, Available at [https://www.usg.com/content/dam/USG\\_Marketing\\_Communications/unitedstates/product\\_promotional\\_materials/finished\\_assets/sheetrock-gypsum-panels-regular-firecodes-cores-submittal-WB1473.pdf](https://www.usg.com/content/dam/USG_Marketing_Communications/unitedstates/product_promotional_materials/finished_assets/sheetrock-gypsum-panels-regular-firecodes-cores-submittal-WB1473.pdf).  
 “Durasan Prefinished Gypsum Board,” Catalog, Gold Bond, Jul. 2018, Last Accessed Mar. 5, 2019, Available at <https://nationalgypsum.com/File/09%2072%2000-34.pdf>.  
 “USG Sheetrock Brand Installation and Finishing Guide,” Manual, USG, Sep. 2015, Last Accessed Mar. 5, 2019, Available at [https://www.usg.com/content/dam/USG\\_Marketing\\_Communications/unitedstates/product\\_promotional\\_materials/finished\\_assets/sheetrock-gypsum-panels-installation-guide-en-J371.pdf](https://www.usg.com/content/dam/USG_Marketing_Communications/unitedstates/product_promotional_materials/finished_assets/sheetrock-gypsum-panels-installation-guide-en-J371.pdf).

(56)

**References Cited**

## OTHER PUBLICATIONS

“DensShield Tile Backer Technical Guide,” Manual, Georgia-Pacific, Feb. 2018, Last Accessed Mar. 5, 2019, Available at <https://cache5.buildgp.com/wp-content/uploads/2018/11/DensShield-Tile-Backer-Technical-Guide.pdf>.

“Dricore Smartwall Detailed Installation,” Manual, Dricore, Date Unknown, Last Accessed Mar. 5, 2019, Available at [http://www.dricore.com/nw/PDF/Detailed\\_Installation\\_Guide\\_web-2.pdf?\\_ga=2.2754935.698343861.1551842844-1360570901.1551842844](http://www.dricore.com/nw/PDF/Detailed_Installation_Guide_web-2.pdf?_ga=2.2754935.698343861.1551842844-1360570901.1551842844).

Taylor, Glenda, “How to: Mud Drywall,” Article, BobVila, Date Unknown, Last Accessed Mar. 8, 2019, Available at <https://www.bobvila.com/articles/how-to-mud-drywall/>.

“Hot to Hand Drywall and Mud” Article, diy Network, Date Unknown, Last Accessed Mar. 8, 2019, Available at <https://www.diynetwork.com/how-to/rooms-and-spaces/walls-and-ceilings/how-to-hang-drywall-and-mud>.

“How to Hang Drywall” Article, Lowe’s, Date Unknown, Uast accessed Mar. 8, 2019, Available at <https://www.lowes.com/projects/build-and-remodel/how-to-hang-drywall/project>.

“Proform Brand All Purpose Joint Compound,” Catalog, National Gypsum, Feb. 2019, Last Accessed Mar. 5, 2019, Available at <https://www.nationalgypsum.com/File/09%2029%2000-43.pdf>.

“USG Sheetrock Brand All Purpose Joint Compound,” Submittal Sheet, USG, Oct. 2016, Last Accessed Mar. 5, 2019, Available at [http://pdf.lowes.com/operatingguides/081099203602\\_oper.pdf](http://pdf.lowes.com/operatingguides/081099203602_oper.pdf).

“DAP Phenopatch Premium Lightweight Joint Compound with Drydex Dry Time Indicator Technology,” Bulletin, Phenopatch, Nov. 2013, Last Accessed Mar. 5, 2019, Available at <http://www.phenopatch.com/docs/tdb/9.pdf>.

“Drywall Screw, Bugle Head, Cross Recessed Drive, Pierce Point, Coarse Thread, Yellow Zinc,” Catalog, Fastenal, Oct. 2018, Last Accessed Mar. 6, 2019, Available at [https://www.fastenal.com/content/product\\_specifications/DRWL.BHPH.PP.COR.YZ.pdf](https://www.fastenal.com/content/product_specifications/DRWL.BHPH.PP.COR.YZ.pdf).

“Wallplate Buying Guide,” Catalog, Leviton, 2015, Last Accessed Mar. 8, 2019, Available at <https://images.homedepot-static.com/catalog/pdfimages/56/566b87e5-ea5a-4976-a9d2-9f699b7d8680.pdf>.

“2016 Arrow Hart Buyers Guide, Section K,” Catalog, Eaton, 2016, Last Accessed Mar. 8, 2019, Available at <http://www.cooperindustries.com/content/dam/public/wiringdevices/BuyersGuides/AHBG/K/AHBG-K-Sec.pdf>.

“Installation Guide,” Manual, TRUFIG, Dec. 2016, [5-7], Last Accessed Mar. 8, 2019, Available at [https://static1.squarespace.com/static/56746411c647ad126efd0b08/t/5841f4d09f7456bcf344653b/1480717524900/TRUFIG+Install+Guide\\_12-02-16.pdf](https://static1.squarespace.com/static/56746411c647ad126efd0b08/t/5841f4d09f7456bcf344653b/1480717524900/TRUFIG+Install+Guide_12-02-16.pdf).

TRUFIG Sales Brochure, TRUFIG, 2013, Last Accessed Mar. 8, 2019, Available at [https://static1.squarespace.com/static/567464110647ad126efd0608/t/57b1fdd95fe231d16e9f2a4f/1471282658946/Trufig\\_Brochure.pdf](https://static1.squarespace.com/static/567464110647ad126efd0608/t/57b1fdd95fe231d16e9f2a4f/1471282658946/Trufig_Brochure.pdf).

“Retail Price List,” Catalog, TRUFIG, Oct. 2016, Last Accessed Mar. 8, 2019, Available at [https://static1.squarespace.com/static/56746411c647ad126efd0b08/t/57f5357b2e69cfc6c9816b3/1475687807191/TRUFIG+Retail+Price+List\\_10\\_4\\_16.pdf](https://static1.squarespace.com/static/56746411c647ad126efd0b08/t/57f5357b2e69cfc6c9816b3/1475687807191/TRUFIG+Retail+Price+List_10_4_16.pdf).

Non-Final Office Action in U.S. Appl. No. 16/848,408, filed May 11, 2021.

Response to Non-Final Office Action in U.S. Appl. No. 16/848,408, filed Mar. 10, 2021.

Notice of Allowance in U.S. Appl. No. 16/848,408, filed Jun. 24, 2021.

Notice of Allowance in U.S. Appl. No. 29/687,661, filed Aug. 4, 2021.

Notice of Allowance in U.S. Appl. No. 29/687,661, filed Sep. 13, 2021.

Notice of Allowance in U.S. Appl. No. 29/687,665, filed Sep. 2, 2021.

\* cited by examiner

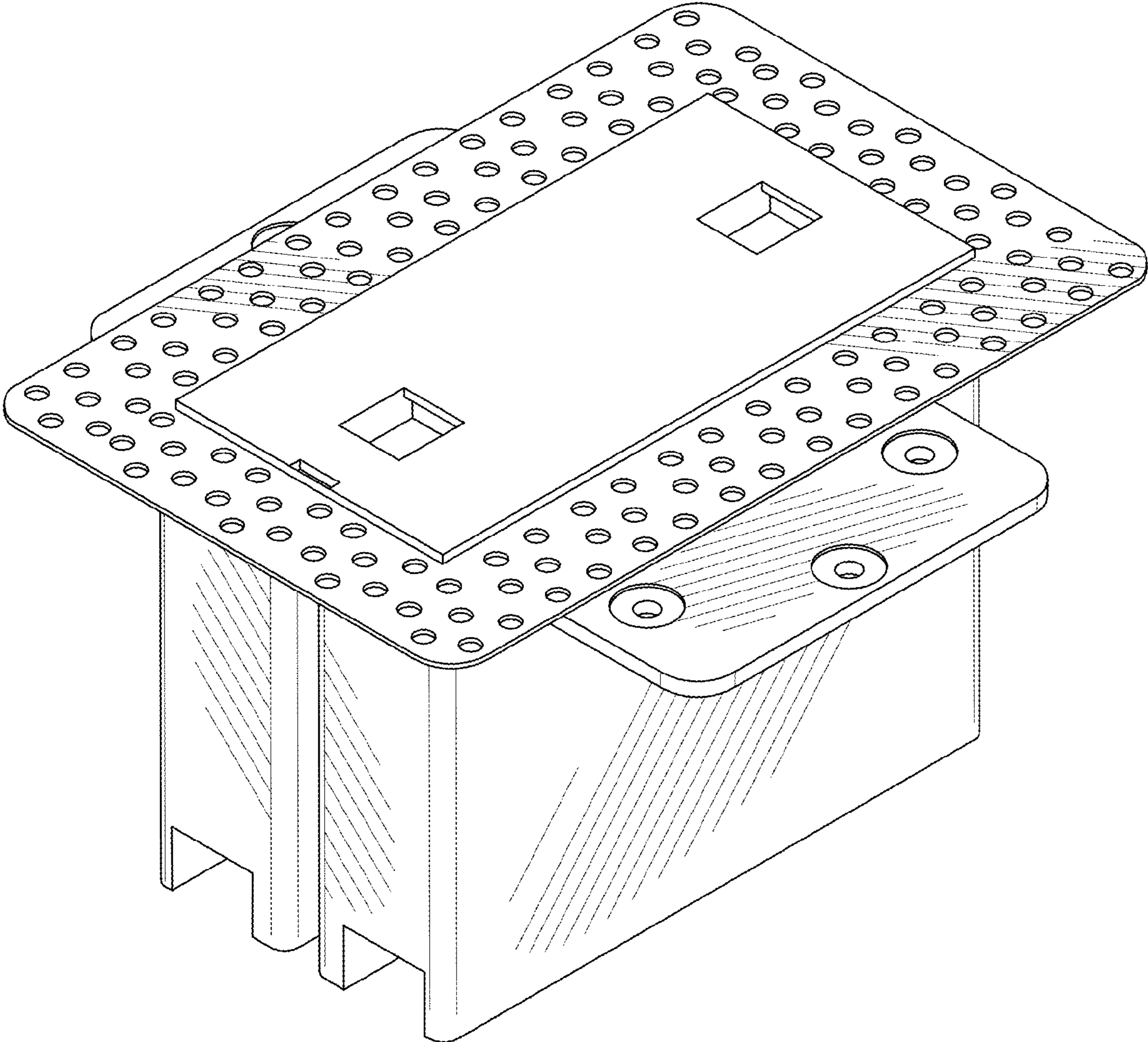


FIG. 1

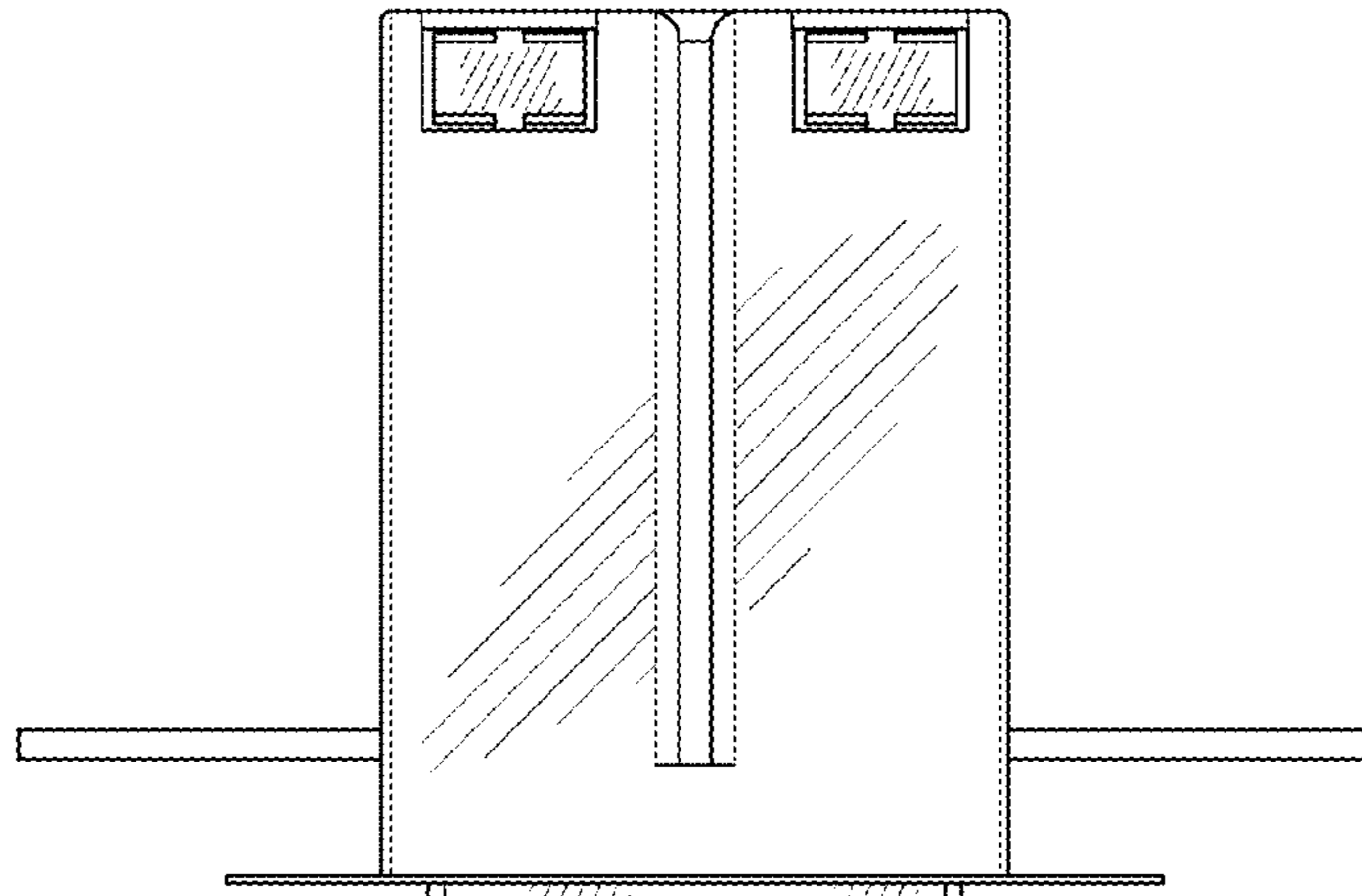


FIG. 2

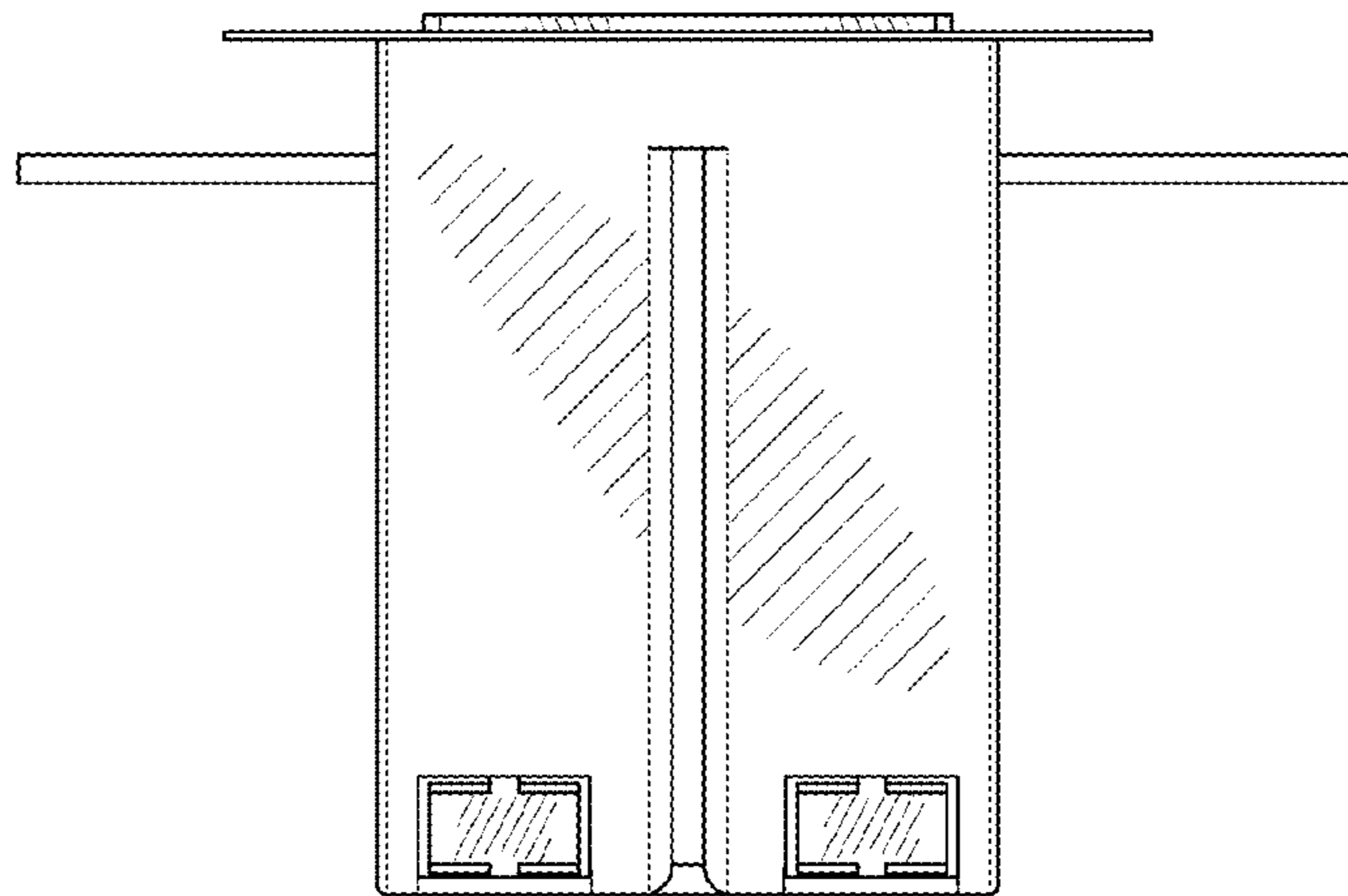


FIG. 3

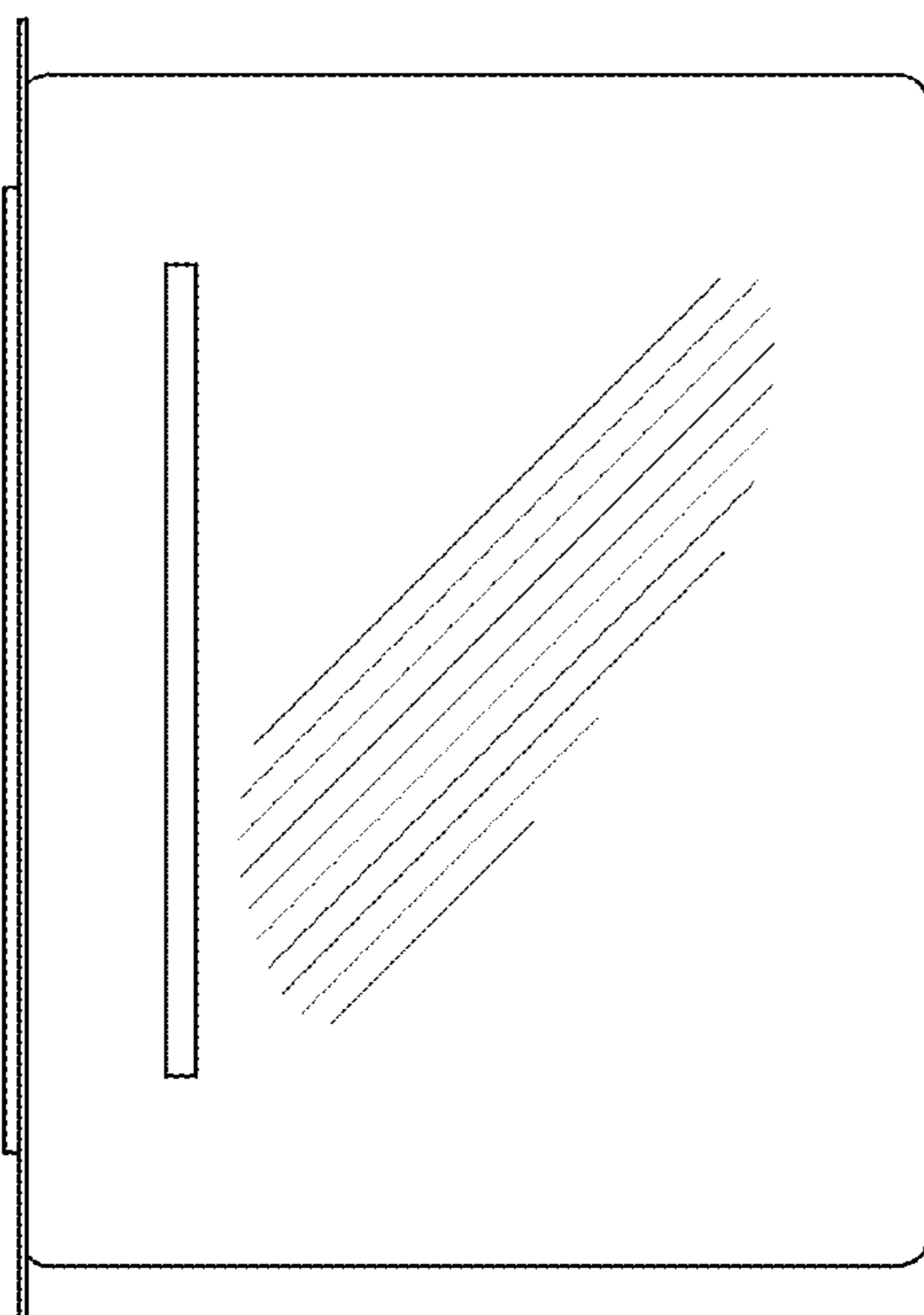


FIG. 4

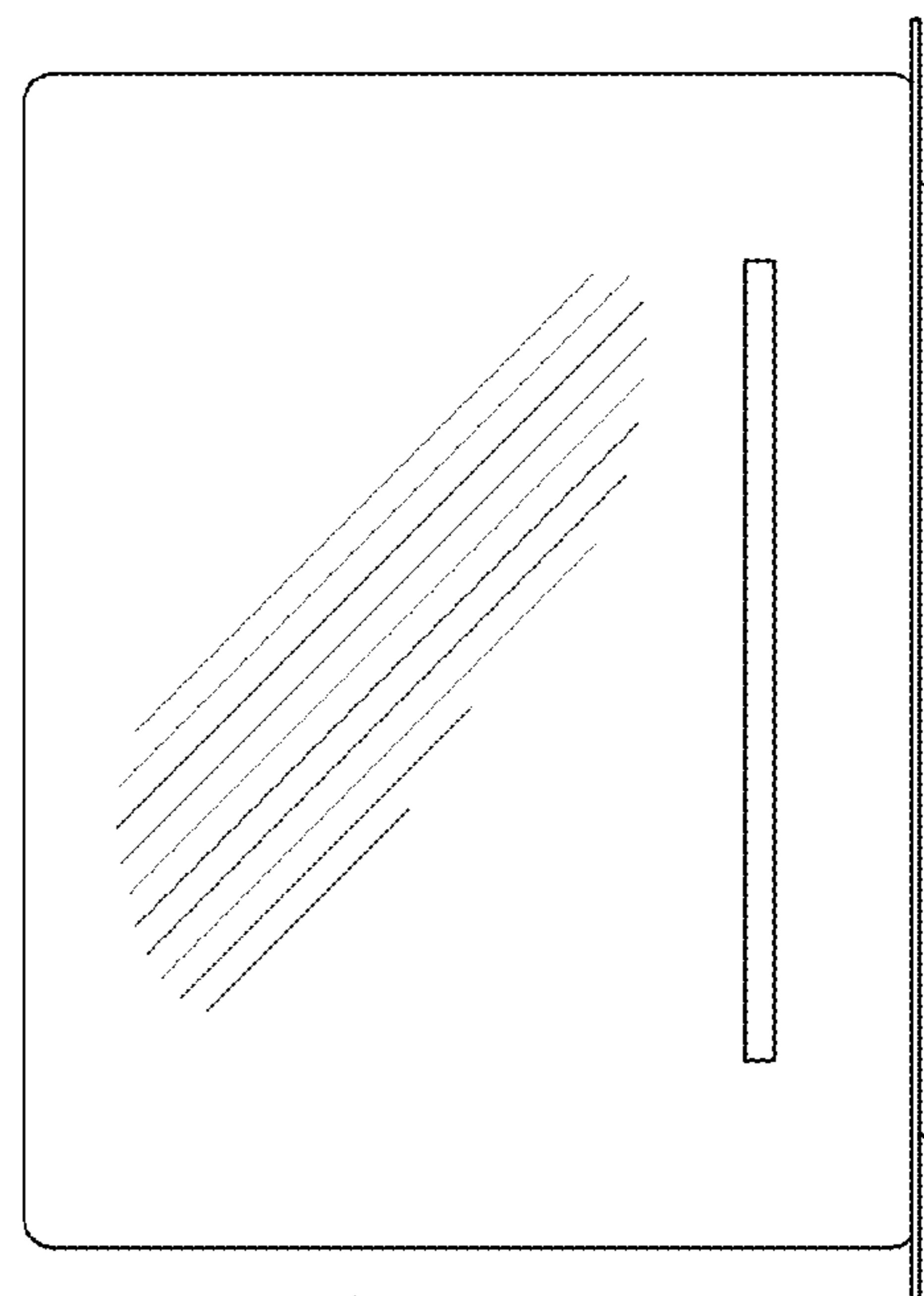


FIG. 5

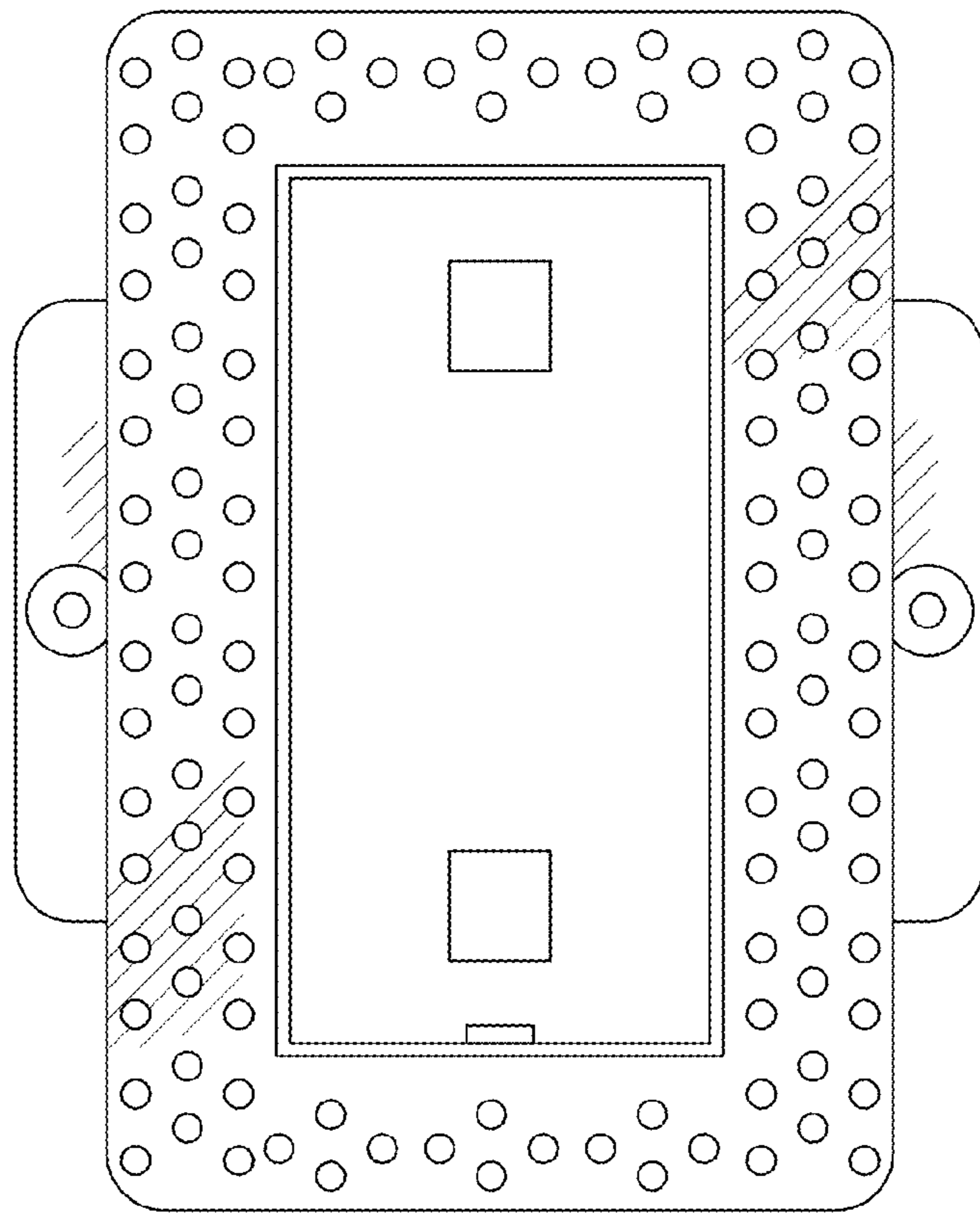


FIG. 6

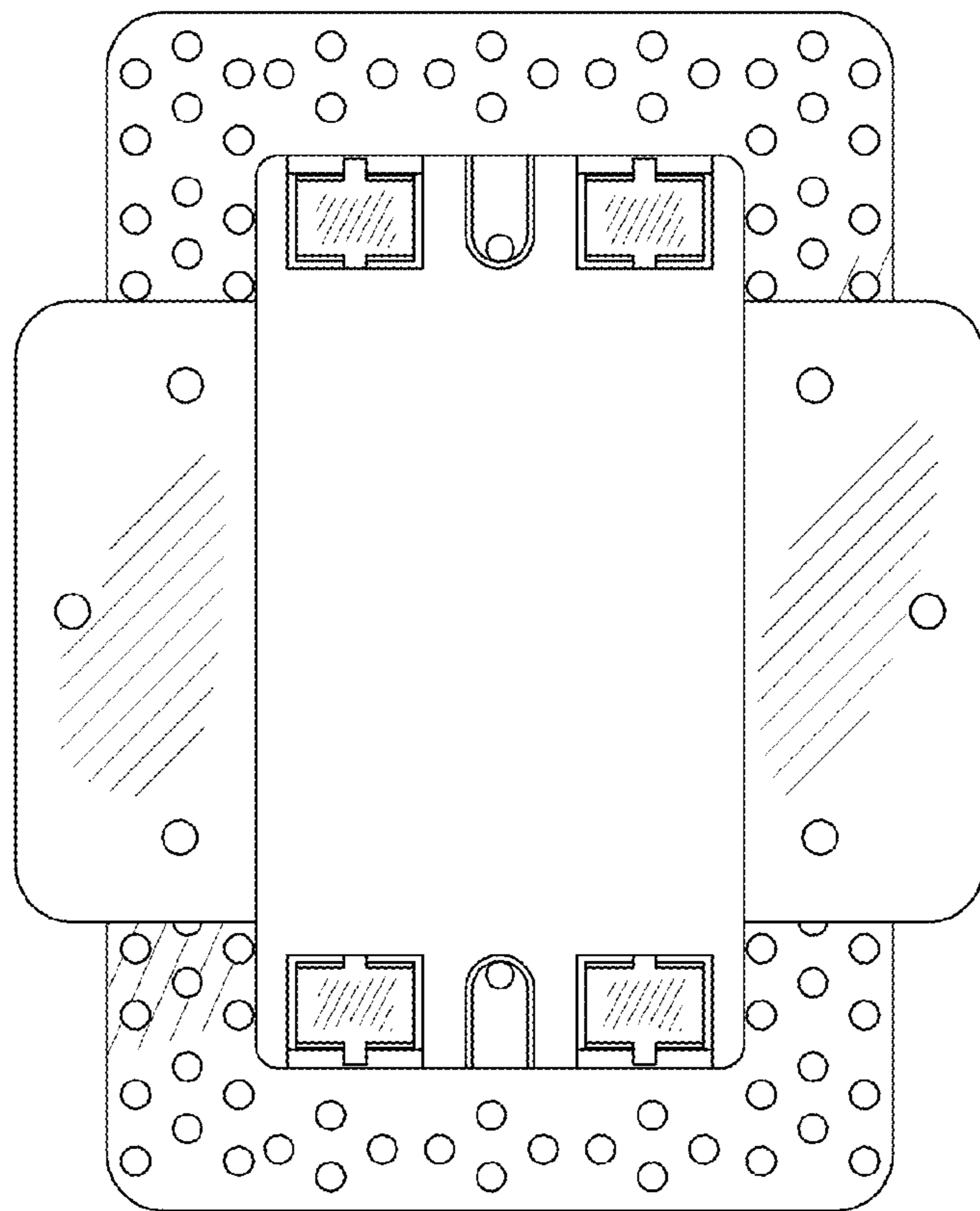


FIG. 7