



US00D955995S

(12) **United States Design Patent**
Zheng

(10) **Patent No.:** **US D955,995 S**

(45) **Date of Patent:** **** Jun. 28, 2022**

(54) **SOCKET**

(71) Applicant: **SUZHOU NUOZHI DIANZI KEJI CO., LTD**, Zhangjiagang (CN)

(72) Inventor: **Weirong Zheng**, Zhangjiagang (CN)

(73) Assignee: **SUZHOU NUOZHI DIANZI KEJI CO., LTD**, Zhangjiagang (CN)

(**) Term: **15 Years**

(21) Appl. No.: **29/777,049**

(22) Filed: **Apr. 2, 2021**

(51) **LOC (13) Cl.** **13-03**

(52) **U.S. Cl.**
USPC **D13/137.2**

(58) **Field of Classification Search**
USPC ... D13/123, 133, 137.1, 137.2, 137.3, 137.4, D13/138.1, 138.2, 139.1, 139.2, 139.3, D13/139.4, 139.5, 139.6, 139.7, 139.8, D13/151, 152, 153, 154, 155, 156, 157, D13/158, 159, 184, 199, 103, 107, 108
CPC H01R 13/00; H01R 13/03; H01R 13/04; H01R 13/10; H01R 13/35; H01R 13/44; H01R 13/453; H01R 13/4534; H01R 13/502; H01R 13/514; H01R 13/631; H01R 13/639; H01R 13/6633; H01R 13/6666; H01R 13/6675; H01R 13/7135; H01R 31/02; H01R 31/06; H01R 31/065
See application file for complete search history.

(56) **References Cited**

U.S. PATENT DOCUMENTS

- 4,000,405 A * 12/1976 Horwinski F21S 8/035 362/95
- D367,037 S * 2/1996 Fladung D13/137.2
- D367,038 S * 2/1996 Fladung D13/137.2
- D370,459 S * 6/1996 Boesel D13/137.2
- D436,345 S * 1/2001 Lentine D13/137.2

- D442,916 S * 5/2001 Tong D13/137.2
- D814,420 S * 4/2018 Chen D13/137.2
- D845,900 S 4/2019 Liu
- D851,597 S 6/2019 Ding
- D924,807 S * 7/2021 Bao D13/137.2
- D924,808 S * 7/2021 Bao D13/137.2
- D947,775 S * 4/2022 Rajasekaran D13/137.2

(Continued)

FOREIGN PATENT DOCUMENTS

GB 6115169 * 1/2021

OTHER PUBLICATIONS

“USB Wall Charger Surge Protector 5 Outlet Extender with 4 USB Charging Ports (1 USB C Outlet) 3 Sided 1800J Power Strip Multi Plug Outlets Wall Adapter Spaced for Home Travel Office ETL Listed”, first available Jul. 21, 2020. Amazon.com [https://www.amazon.com/dp/B087RKKXM5] (Year: 2020).*

(Continued)

Primary Examiner — Rosemary K Tarcza
Assistant Examiner — Seth David Kumpf

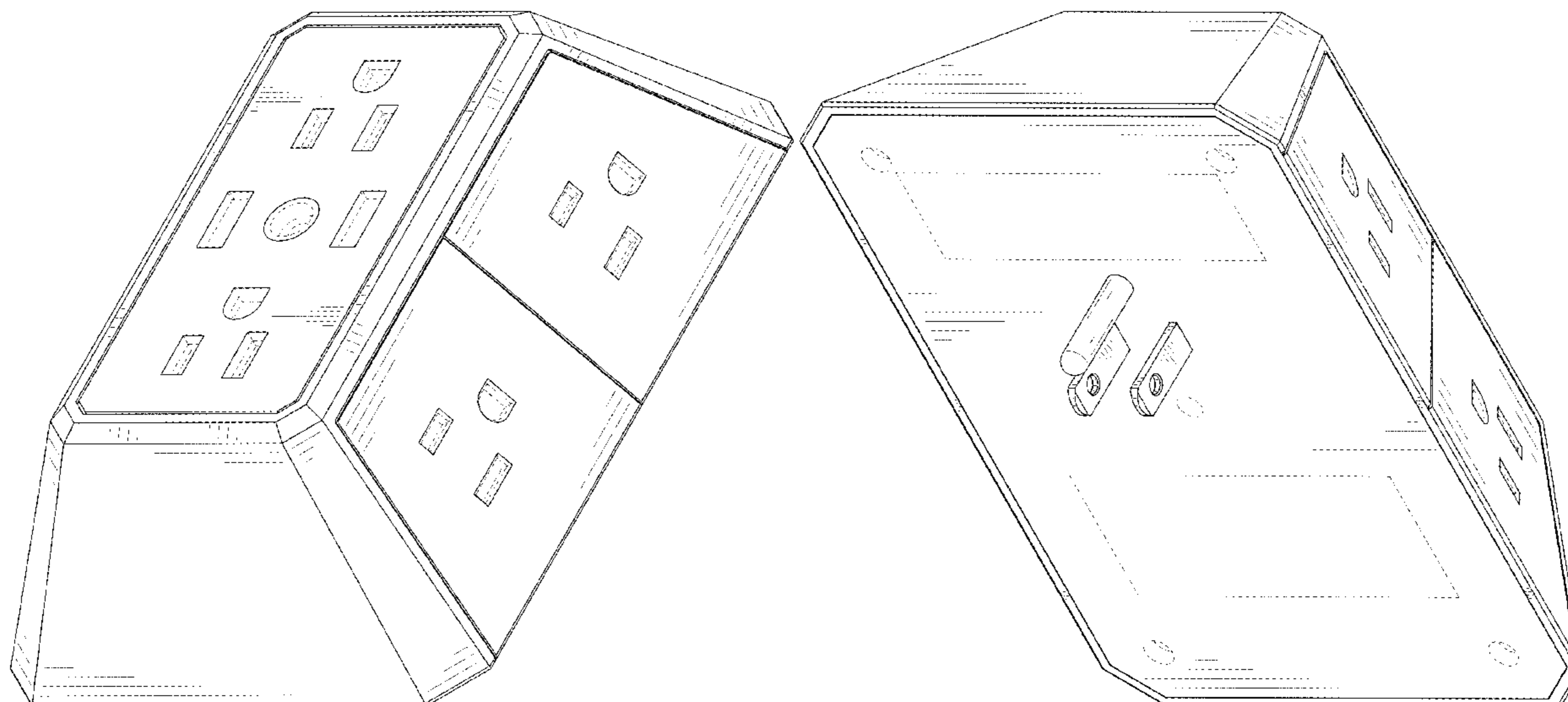
(57) **CLAIM**

The ornamental design for a socket, as shown and described.

DESCRIPTION

FIG. 1 is a perspective view of a socket showing my new design;
FIG. 2 is another perspective view thereof;
FIG. 3 is a front elevational view thereof;
FIG. 4 is a rear elevational view thereof;
FIG. 5 is a left side elevational view thereof;
FIG. 6 is a right side elevational view thereof;
FIG. 7 is a top plan view thereof; and,
FIG. 8 is a bottom plan view thereof.
The broken lines in the drawings depict portions of the socket that form no part of the claimed design.

1 Claim, 8 Drawing Sheets



(56)

References Cited

U.S. PATENT DOCUMENTS

2017/0294732 A1* 10/2017 Monzaviyan H01R 13/447

OTHER PUBLICATIONS

“Surge Protector, Outlet Extender, 1800J USB Wall Charger with 5 Widely Outlets 3 USB Charging Ports(1 USB C), 3 Side Multi Plug Outlets Wall Adapter for Home Travel Office, ETL Listed . . .”, first available Sep. 4, 2021. Amazon.com [https://www.amazon.com/dp/B096DPTDKN] (Year: 2021).*

“USB Wall Charger, Surge Protector, POWRUI 6-Outlet Extender with 2 USB Charging Ports (2.4A Total) and Night Light, 3-Sided Power Strip with Adapter Spaced Outlets—White , ETL Listed”, first available Apr. 13, 2018. Amazon.com [https://www.amazon.com/dp/B07CCGBB7M] (Year: 2018).*

“Outlet Extender Surge Protector,Multi Plug Outlet Splitter with USB Ports (Support PD20W USB C-QC3.0) 6 Outlets 1800J Wall Charger ,Plug Adapter,Wall Mount Power Strip for Home Office UL/ETL Listed”, first available Aug. 31, 2021. Amazon.com [https://www.amazon.com/dp/B09CQK468D] (Year: 2021).*

“USB Wall Charger, POWSAV Surge Protector 5 Outlet Extender with 4 USB Ports (1 USB C Outlet) 3 Sided 1680J Power Strip Multi Plug Outlets Wall Adapter Spaced , ETL Listed”, first available Jun. 30, 2021. Amazon.com [https://www.amazon.com/dp/B0989KH5GN] (Year: 2021).*

“USB Wall Charger, Surge Protector, 6 Outlet Extender with 2 USB Ports,3-Sided 2100J Power Strip Multi Plug Outlets Wall Adapter Spaced for Home Travel Office (2 USB)”, first available Dec. 16, 2020. Amazon.com [https://www.amazon.com/dp/B08QRK6QL4] (Year: 2020).*

“USB Wall Charger,Power Strip with Night Light, NUOZHI 5 Outlet Extender Surge Protector with 4 USB Ports(4.2A Total),3-Sided 1680 Joules Multi Plug Outlet with Spaced Outlets,—White, ETL Listed”, first available Dec. 11, 2021. Amazon.com [https://www.amazon.com/dp/B09NFFW1ZT] (Year: 2021).*

“USB Wall Charger, Surge Protector, QINLIANF 5 Outlet Extender with 4 USB Charging Ports (4.8A Total) 3-Sided 1680J Power Strip Multi Plug Outlets Wall Adapter Spaced for Home Travel Office (3U1C)”, first available Dec. 23, 2020. Amazon.com [https://www.amazon.com/dp/B08R6S1M1K] (Year: 2020).*

* cited by examiner

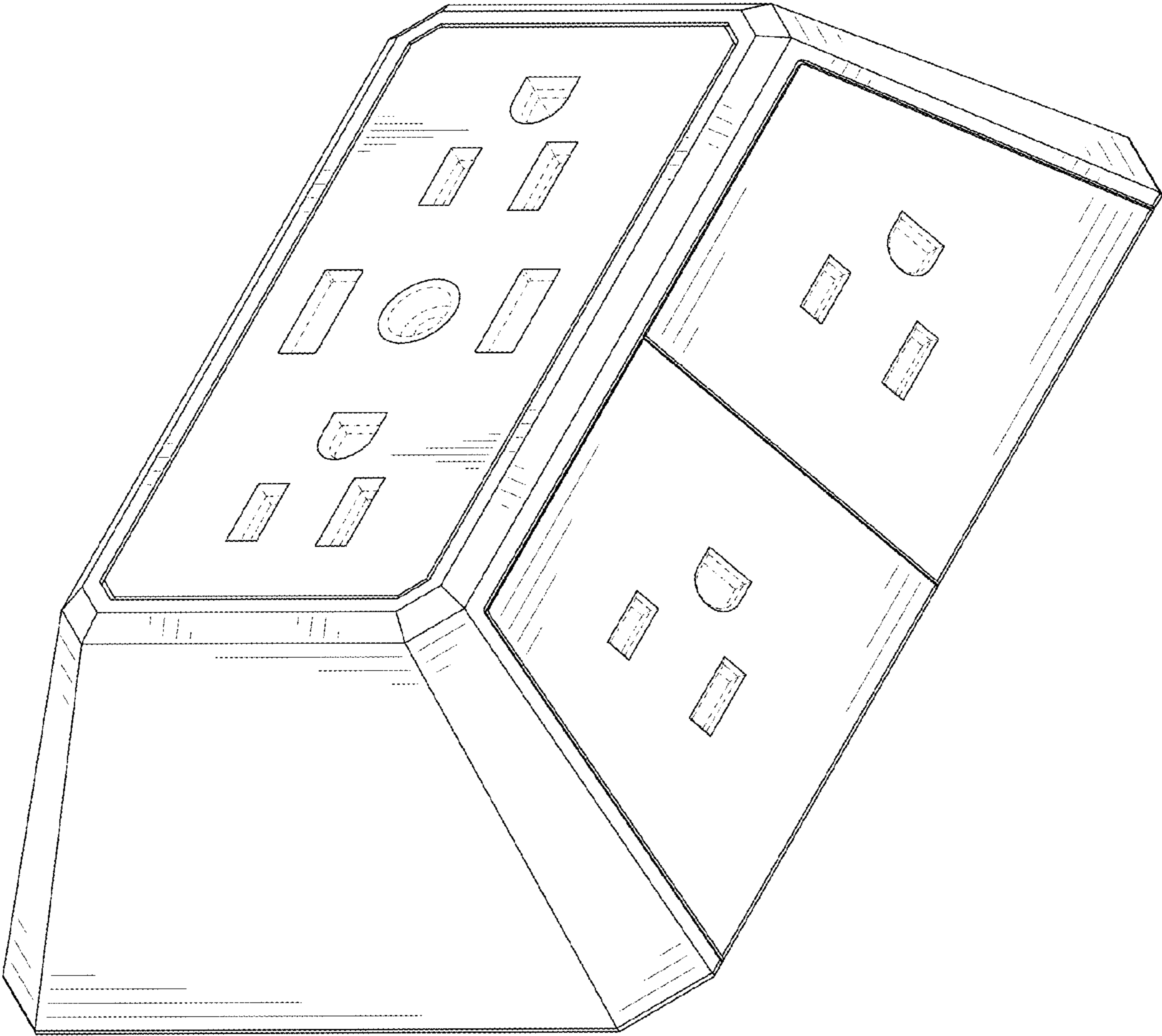


FIG. 1

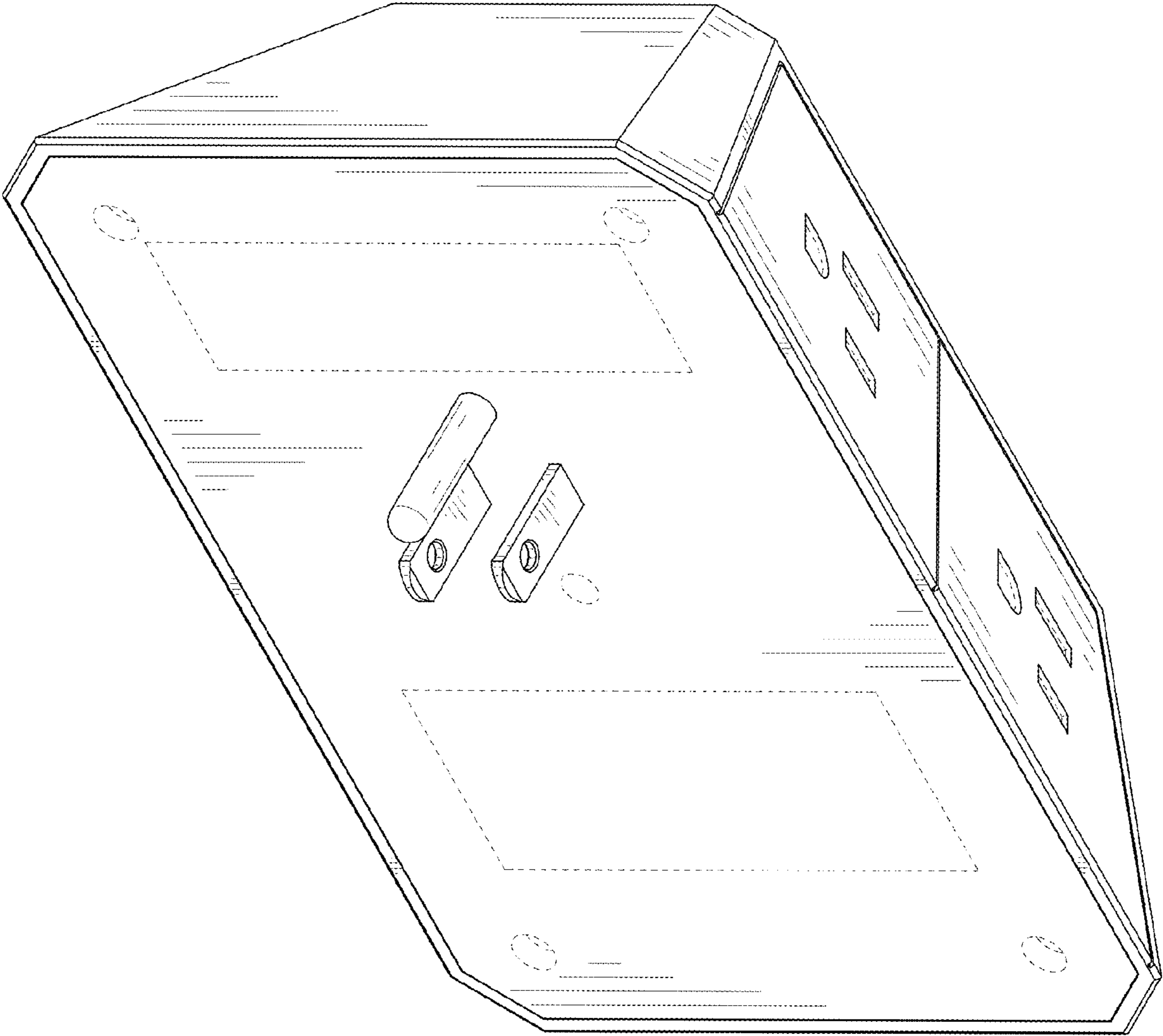


FIG. 2

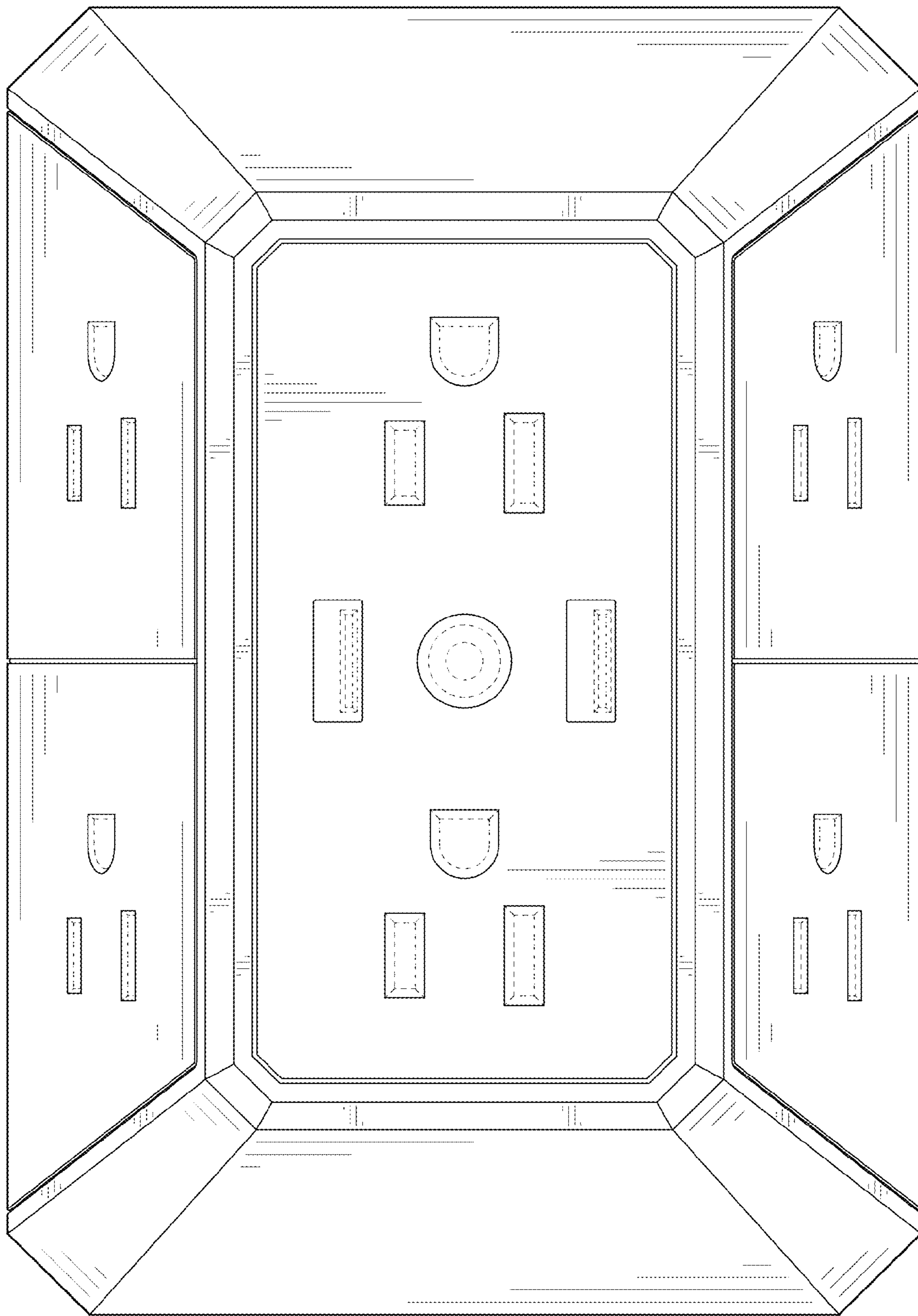


FIG. 3

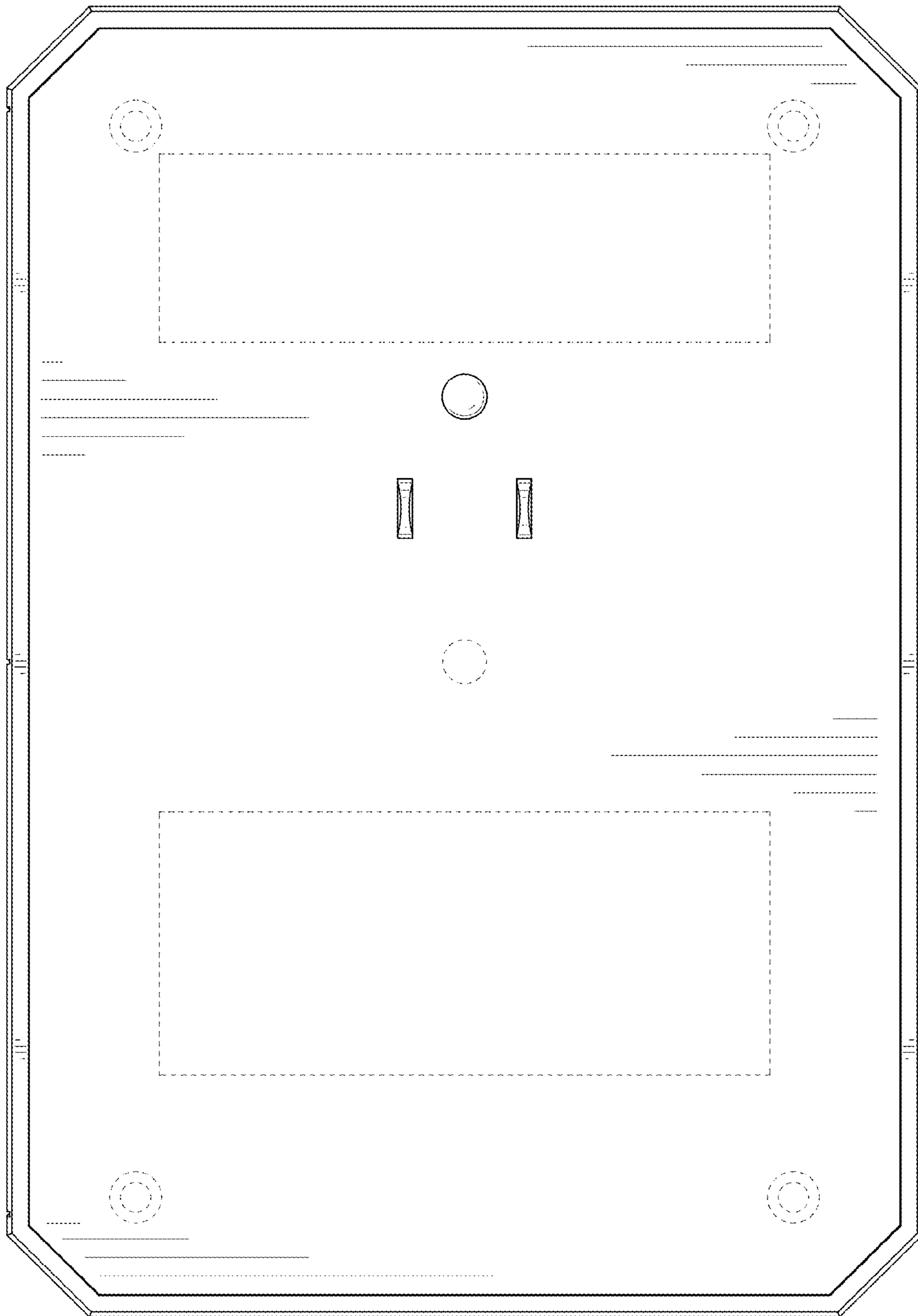


FIG. 4

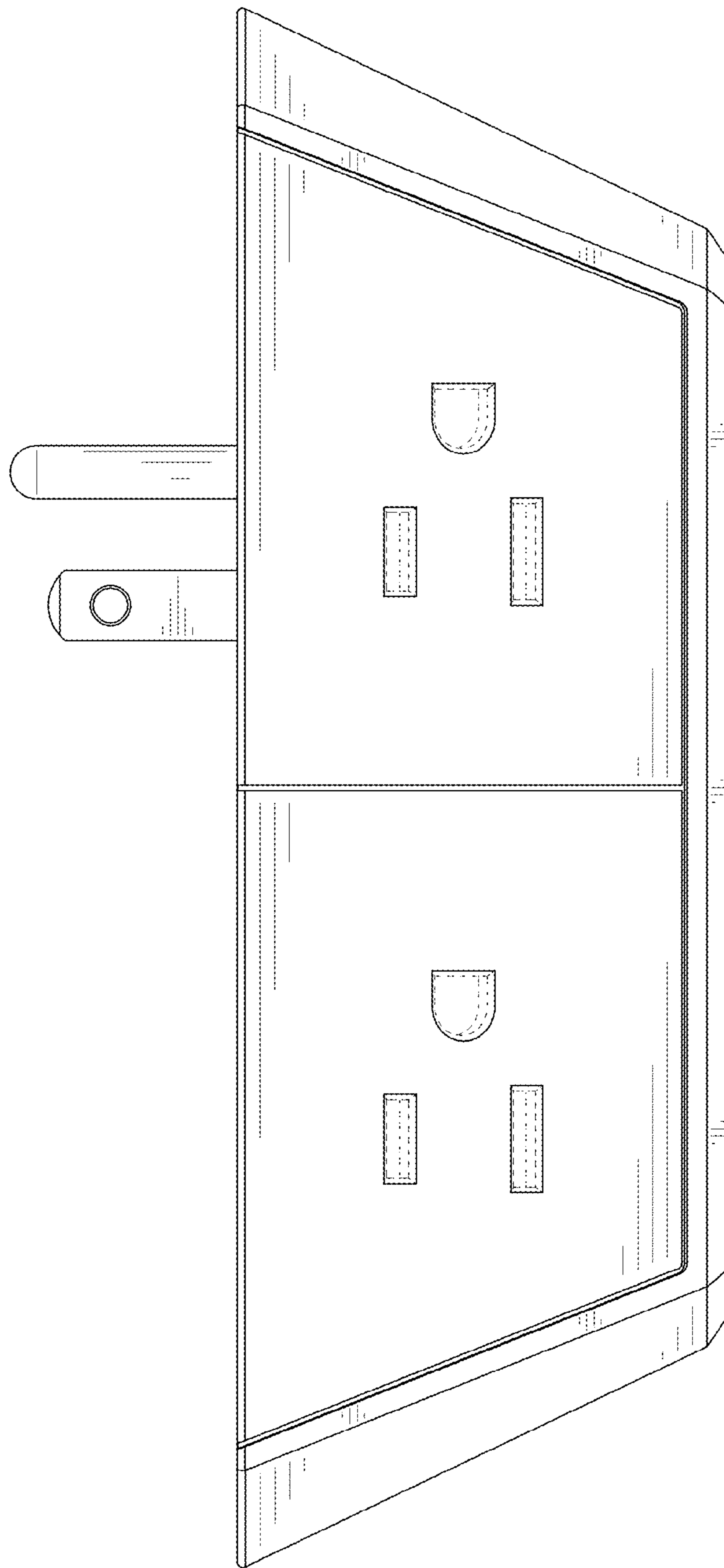


FIG. 5

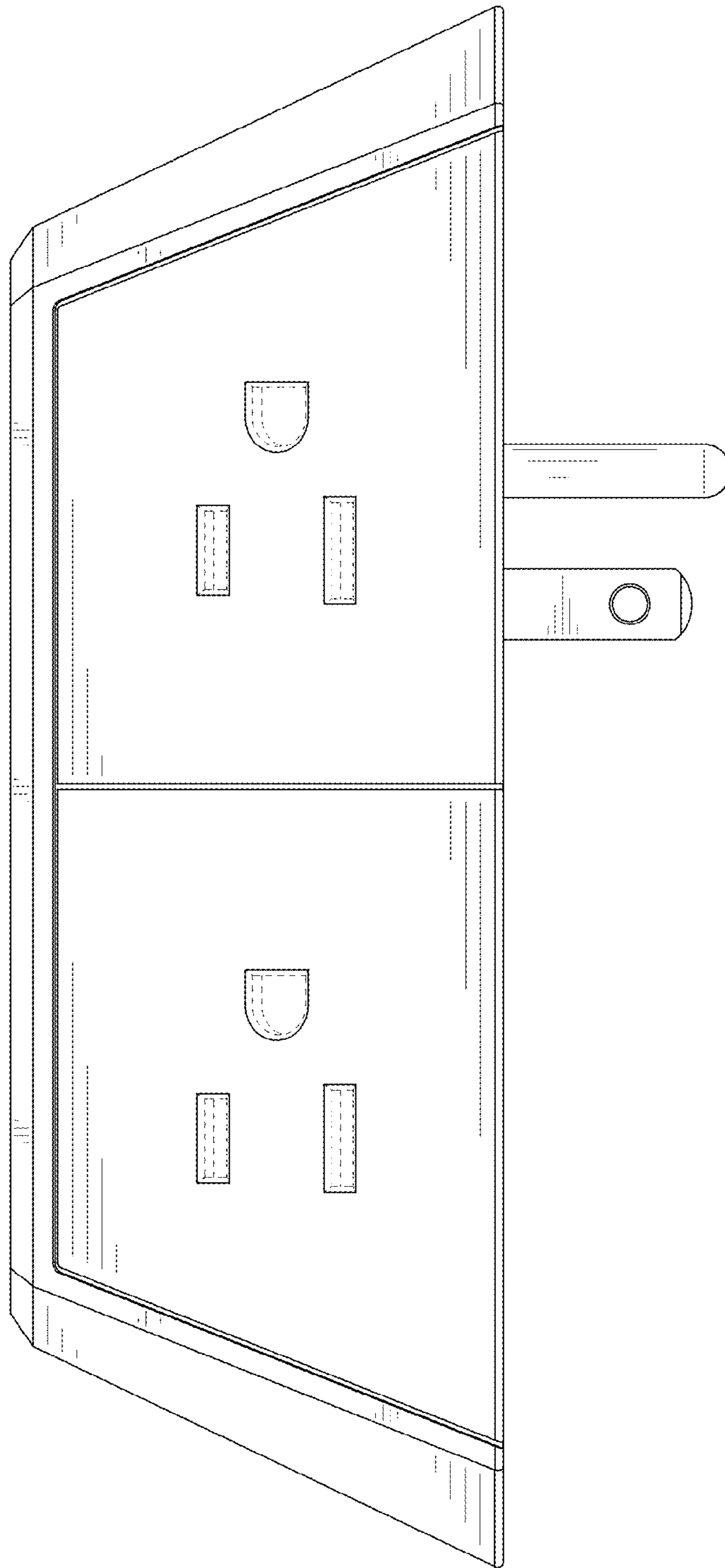


FIG. 6

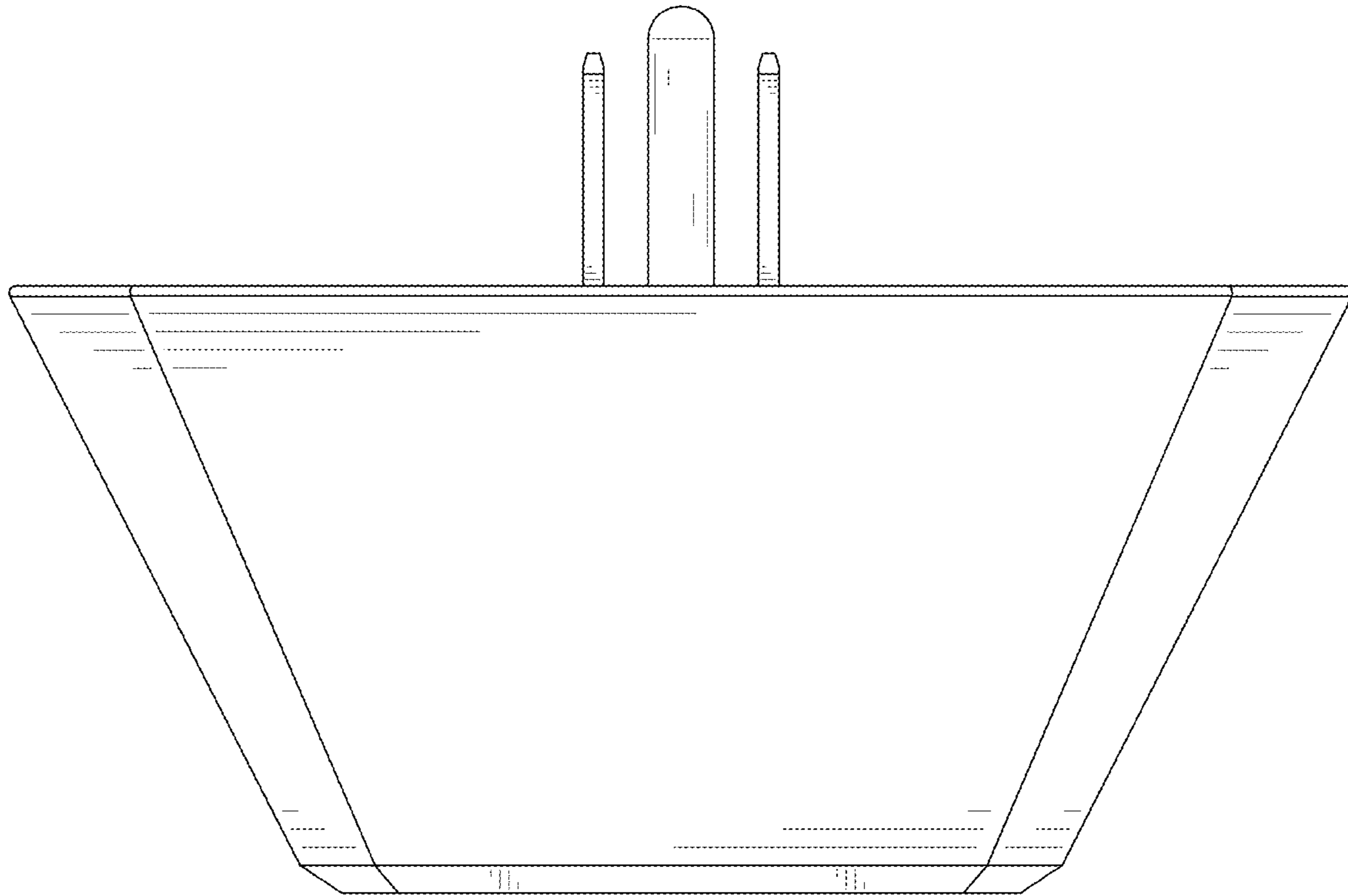


FIG. 7

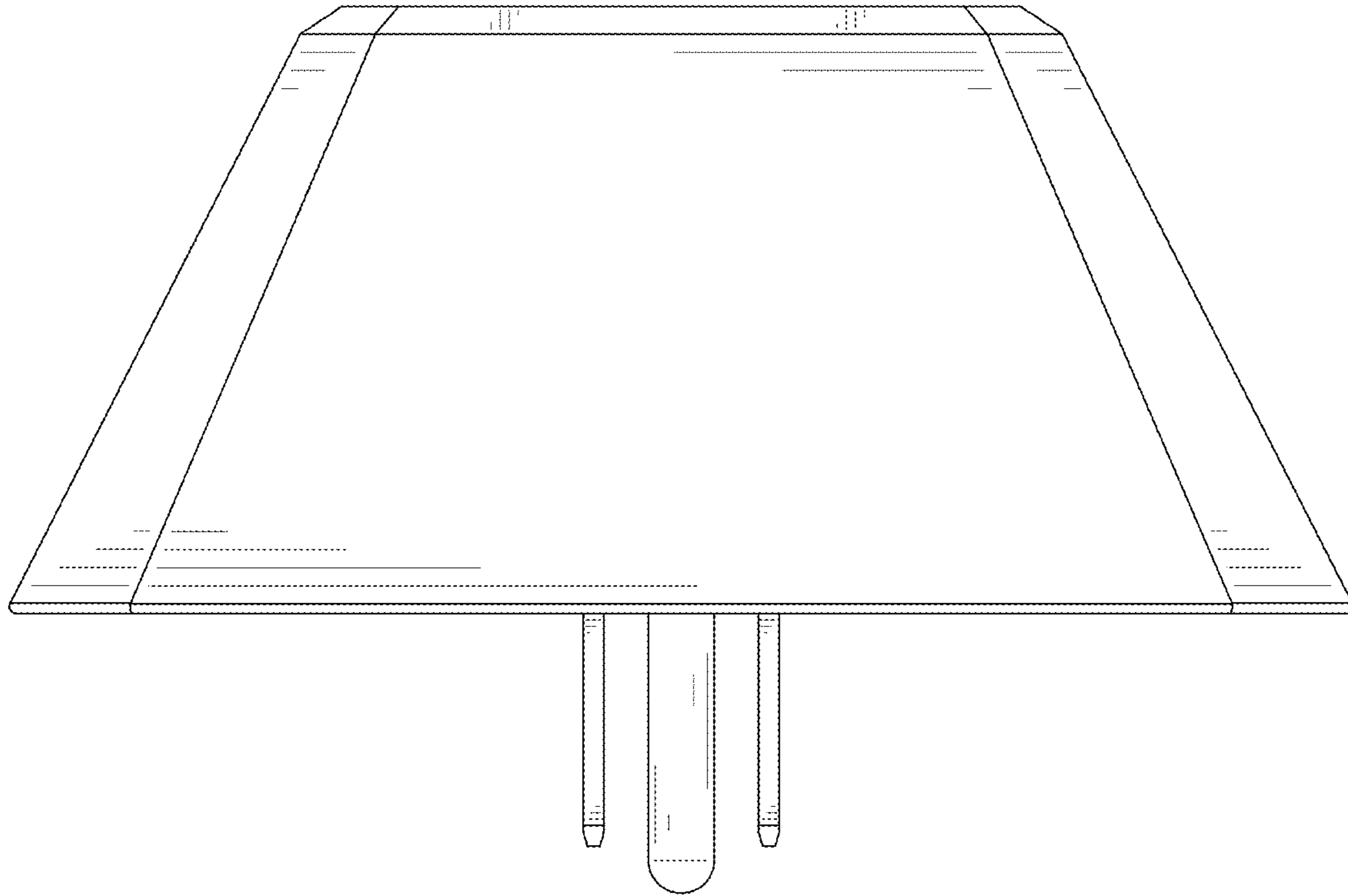


FIG. 8