



US00D955993S

(12) **United States Design Patent**
Lee

(10) **Patent No.:** **US D955,993 S**
(45) **Date of Patent:** **** Jun. 28, 2022**

- (54) **3-WAY ELECTRICAL TAP**
- (71) Applicant: **Multiway Industries (HK) Ltd.**, Tsuen Wan (HK)
- (72) Inventor: **Dominic Kan Nam Lee**, Sha Tin (HK)
- (73) Assignee: **Multiway Industries (HK) Ltd.**, Tsuen Wan (HK)
- (**) Term: **15 Years**

D126,590 S 4/1941 Lewin
 2,267,816 A 12/1941 Chirelstein
 2,318,484 A 5/1943 Herman
 2,500,987 A 3/1950 Harpster
 2,508,770 A 5/1950 Oshinsky
 (Continued)

FOREIGN PATENT DOCUMENTS

CA 131248 * 10/2011
 CA 189671 11/2021
 (Continued)

- (21) Appl. No.: **29/703,903**
- (22) Filed: **Aug. 30, 2019**
- (51) **LOC (13) Cl.** **13-03**
- (52) **U.S. Cl.**
USPC **D13/137.2**
- (58) **Field of Classification Search**
USPC D13/137.1-137.4, 138.1-138.2,
D13/139.1-139.7, 153, 154, 184
CPC H01R 11/00; H01R 13/00; H01R 13/50;
H01R 13/627; H01R 13/6666; H01R
25/00; H01R 25/003; H01R 25/005;
H01R 25/006; H01R 31/02; H01R 31/06;
H01R 31/065; H01R 13/506; H01R
13/7175; H01H 9/0271; H02G 3/10
See application file for complete search history.

OTHER PUBLICATIONS

T-Shaped Adapter, available date Jun. 19, 2020, [online], [site visited Nov. 2, 2020], Available from Internet URL: <https://www.amazon.com/GE-T-Shaped-Extender-Grounded-50873/dp/B08BJCL192>.*

(Continued)

Primary Examiner — Leanne Was-Englehart
 (74) *Attorney, Agent, or Firm* — Frost Brown Todd LLC

(57) **CLAIM**

The ornamental design for a 3-way electrical tap, as shown and described.

DESCRIPTION

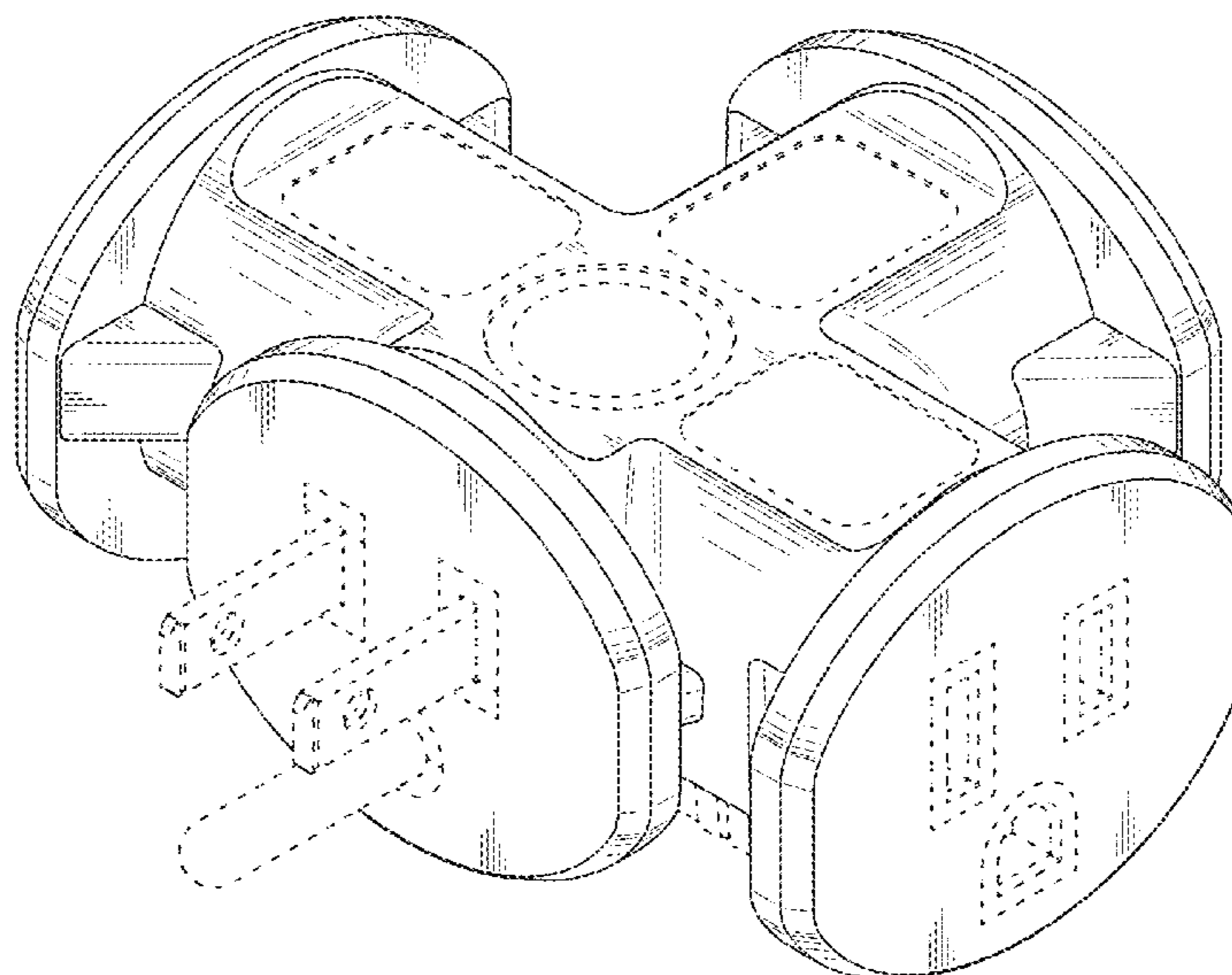
FIG. 1 is a front top perspective view of a 3-way electrical tap, showing my new design;
 FIG. 2 is a front elevational view thereof;
 FIG. 3 is a back elevational view thereof;
 FIG. 4 is a left elevational view thereof;
 FIG. 5 is a right elevational view thereof;
 FIG. 6 is a top plan view thereof; and,
 FIG. 7 is a bottom plan view thereof.
 The prongs, openings, and certain portions of the body of the 3-way electrical tap shown in broken lines are unclaimed subject matter and form no part of the claimed design.

1 Claim, 5 Drawing Sheets

(56) **References Cited**

U.S. PATENT DOCUMENTS

- | | | | |
|---------------|---------|------------------|-----------------------|
| 1,511,855 A | 10/1924 | Wentz | |
| 1,568,156 A | 1/1926 | Herskovitz | |
| 1,676,439 A * | 7/1928 | Ile | H01R 33/92
439/639 |
| D77,735 S | 2/1929 | Both | |
| D80,102 S | 12/1929 | Muldoon | |
| D86,613 S | 3/1932 | Lauter | |
| 1,889,695 A | 11/1932 | Petersen | |
| 1,935,771 A | 11/1933 | Feurstein et al. | |
| D109,912 S | 5/1938 | Guild | |
| 2,210,215 A | 8/1940 | Herman | |



(56)

References Cited

U.S. PATENT DOCUMENTS

D159,004 S	6/1950	Russell	5,816,860 A	10/1998	Blanche	
D164,338 S	8/1951	Tyler	D401,555 S	11/1998	Tam	
2,636,096 A	4/1953	Di Blasi	D406,562 S	3/1999	Al-Sabah	
D179,081 S	10/1956	Hudson	5,888,105 A	3/1999	Brown et al.	
2,792,561 A	5/1957	Cohen	D408,355 S	4/1999	Welsh et al.	
3,005,179 A	10/1961	Holt	5,911,600 A *	6/1999	Mosquera	H01R 31/02 439/655
D194,105 S	11/1962	Stringham	D411,981 S	7/1999	Jeon-Chapman et al.	
D195,955 S	8/1963	Carlson	D415,105 S	10/1999	Lee	
D216,262 S	12/1969	Robinson	D418,816 S *	1/2000	Wu	D13/146
3,509,356 A	4/1970	Peebles	D425,638 S	5/2000	Yuen	
3,924,914 A	12/1975	Banner	D436,345 S	1/2001	Lentine	
3,997,225 A	12/1976	Horwinski	D440,203 S	4/2001	Ewing et al.	
4,000,405 A	12/1976	Horwinski	D442,550 S	5/2001	Tong et al.	
4,079,344 A	3/1978	Lauben et al.	D442,916 S	5/2001	Tong et al.	
4,085,996 A	4/1978	Koslo	D443,589 S	6/2001	Tong et al.	
4,118,690 A	10/1978	Paynton	D446,187 S	8/2001	Lam et al.	
D251,293 S	3/1979	Trueblood	D446,502 S	8/2001	Wen	
4,191,985 A	3/1980	Phillips, Jr.	D448,730 S	10/2001	Lee	
4,293,172 A	10/1981	Lingaraju	D462,056 S	8/2002	Chung	
D276,225 S	11/1984	Powel	6,443,756 B1 *	9/2002	Hagmann	H01R 31/02 439/402
D277,370 S	1/1985	Gehr et al.	D467,873 S	12/2002	Yu	
D284,758 S	7/1986	Maloney	D468,848 S	1/2003	Schenck	
D285,552 S	9/1986	Schwartz	D469,062 S	1/2003	Nieto et al.	
D285,788 S	9/1986	Rapp et al.	D481,357 S	10/2003	Stekelenburg	
D288,177 S	2/1987	Yang	D483,331 S	12/2003	Adachi et al.	
4,659,161 A	4/1987	Holcomb	D483,723 S	12/2003	Adachi et al.	
4,671,597 A	6/1987	Grill	D486,126 S	2/2004	Aromin	
D292,395 S	10/1987	Waters et al.	6,709,297 B2	3/2004	Lee	
4,764,128 A	8/1988	Cheng	D492,253 S	6/2004	Lee	
4,767,359 A	8/1988	Martell	D492,254 S	6/2004	Nakashima et al.	
D301,576 S	6/1989	Wang	D493,168 S *	7/2004	Yu	D13/147
4,856,999 A	8/1989	Flohr	D493,426 S	7/2004	Strayer	
4,861,286 A	8/1989	Fosnaugh	D495,657 S	9/2004	Lee	
D305,641 S	1/1990	DeLuca	6,929,514 B1 *	8/2005	Chuang	H01R 31/02 439/108
4,897,049 A	1/1990	Miller et al.	6,942,079 B2	9/2005	Chang	
D307,742 S	5/1990	Serr et al.	D512,963 S	12/2005	Lee	
D312,615 S	12/1990	Schwartz	D514,067 S	1/2006	Lee	
D315,141 S	3/1991	Hames	D540,257 S	4/2007	Ivanova et al.	
D315,893 S	4/1991	Cheng	D547,271 S	7/2007	Ng	
5,004,435 A	4/1991	Jammet	D547,272 S	7/2007	Ng	
D318,262 S	7/1991	Neuwirth	D549,650 S	8/2007	Russell et al.	
5,030,119 A	7/1991	Lowe	D559,184 S	1/2008	Russell et al.	
5,094,630 A	3/1992	Jammet	D562,240 S	2/2008	Lee	
D325,370 S	4/1992	Belcher	7,371,121 B1	5/2008	Lee	
D325,723 S	4/1992	Gary et al.	7,371,122 B2	5/2008	Ivanova et al.	
5,122,082 A	6/1992	Lee	D576,552 S	9/2008	Caine et al.	
D329,423 S	9/1992	Luu	7,520,783 B2	4/2009	Chou et al.	
5,171,168 A	12/1992	Chiodo	D594,823 S *	6/2009	Ho'o	D13/139.1
5,211,584 A	5/1993	Olson	D596,571 S	7/2009	Green	
5,232,381 A	8/1993	Yu	D597,486 S	8/2009	Wu	
5,236,371 A	8/1993	Matthis	D599,290 S	9/2009	Lee	
5,269,695 A	12/1993	Opel	D614,134 S	4/2010	Chen	
D347,593 S	6/1994	Davis et al.	D616,823 S	6/2010	Shi	
D347,594 S	6/1994	Davis et al.	D617,274 S *	6/2010	Caplan	D13/137.2
D350,936 S	9/1994	Rossman et al.	D618,175 S	6/2010	Shi	
D350,938 S	9/1994	Rossman et al.	D618,617 S *	6/2010	Lee	D13/137.2
5,383,799 A	1/1995	Fladung	D622,217 S	8/2010	Green	
D357,460 S	4/1995	Lovett	7,862,385 B2	1/2011	Lee	
D361,315 S	8/1995	Wedell et al.	7,892,036 B2 *	2/2011	Lee	H01R 31/02 439/638
5,443,400 A	8/1995	Brown et al.	D642,982 S	8/2011	Shi	
D364,379 S	11/1995	Pogue et al.	7,988,494 B2	8/2011	Lee	
D370,459 S	6/1996	Boesel et al.	D651,977 S *	1/2012	Lee	D13/139.1
D371,341 S	7/1996	Hung et al.	D686,993 S *	7/2013	Millar-Sax	D13/137.2
D372,702 S	8/1996	Sanner	D736,710 S	8/2015	Lin	
5,562,488 A	10/1996	Neiser et al.	D817,887 S *	5/2018	Yu	D13/139.1
D375,292 S	11/1996	D'Amato	D821,978 S	7/2018	Yu	
D376,129 S	12/1996	Muller et al.	D860,947 S *	9/2019	Sumida	D13/137.2
D379,796 S	6/1997	Bagga	D883,218 S *	5/2020	Eshelman	D13/137.2
D379,966 S	6/1997	Gallagher	D884,639 S *	5/2020	Jhun	D13/133
5,645,147 A	7/1997	Kovacik et al.	D908,094 S	1/2021	Yu	
D382,658 S	8/1997	Yu				
5,660,554 A	8/1997	Mead				
5,666,053 A	9/1997	Suzuki et al.				
5,700,150 A	12/1997	Morin				
D397,086 S	8/1998	Lin				

(56)

References Cited

U.S. PATENT DOCUMENTS

D929,943 S 9/2021 Lin
 2009/0053307 A1 2/2009 Longo et al.

FOREIGN PATENT DOCUMENTS

CA	201670	11/2021
CA	201671	11/2021
CN	302201923	* 11/2012
CN	305766288	5/2020
TW	54631-000	7/2013

OTHER PUBLICATIONS

3-Outlet Adapter, available date Sep. 15, 2017, [online], [site visited Nov. 2, 2020], Available from Internet URL: <https://www.amazon.com/dp/B075PJYVMG>.*

3-Prong Outlet Adapter, available date Feb. 12, 2013, [online], [site visited Nov. 2, 2020], Available from Internet URL: <https://www.amazon.com/Conntek-RL-30104-3-Prong-Outlet-Adapter/dp/B00BHGY37C>.*

GE T-Shaped 3-Outlet Extender Amazon https://www.amazon.com/GE-T-Shaped-Extender-Grounded-50281/dp/B001UE7SB4/ref=asc_df_B001UE7SB4/?tag=hyprod-20&linkCode=df0&hvadid=198072808542&hvpos=&hvnetw=g&hvrnd=15540212810730277892&hvpone=&hvptwo=&hvqmt=&hvdev=c&hvdvcmld=&hvlocint=&hvlocphy=9008150&hvtargid=pla-321309810395&th=1 First available Mar. 24, 2009.*

Philips Accessories T-Shaped 3-Outlet Extender Amazon https://www.amazon.com/PHILIPS-T-Shaped-Extender-SPS1630G-37/dp/B07X3NNZ6H/ref=psdc_6396125011_t4_B08D3Z8FDL?th=1 First Available Aug. 26, 2019 (Year: 2019).*

Design U.S. Appl. No. 29/703,905, filed Aug. 30, 2019, by Lee, entitled: "3-Way Electrical Tap".

'GE Home Electrical GE 3T-Shaped Adapter, Power Outlet Extender, Grounded Wall Tap, Heavy Duty, UL Listed, Black, 50872, 1 Pack, first available Jul. 6, 2020. Amazon.com [<https://www.amazon.com/dp/B08CF3RKRX>] (Year: 2020).

"Oviitech Three Plug Outlet Adapter (T-Shaped), Electric Outlet Extender, Sideways Plug Adapter, Heavy Duty Ground Power Tap, UL Listed, White (4Pack)", first available May 12, 2019. Amazon.com [<https://www.amazon.com/dp/B07FFNBYP7>] (Year: 2019).

* cited by examiner

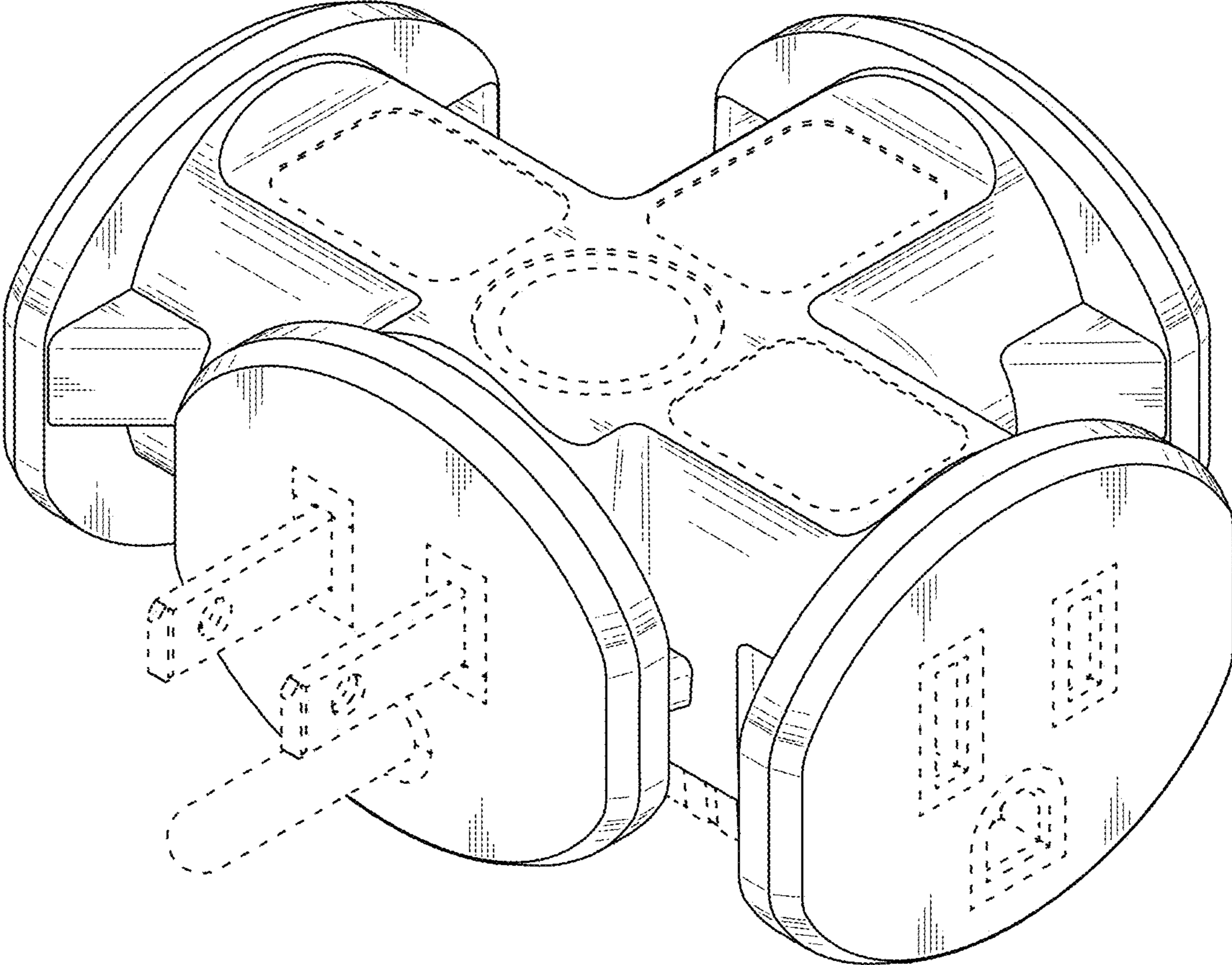


FIG. 1

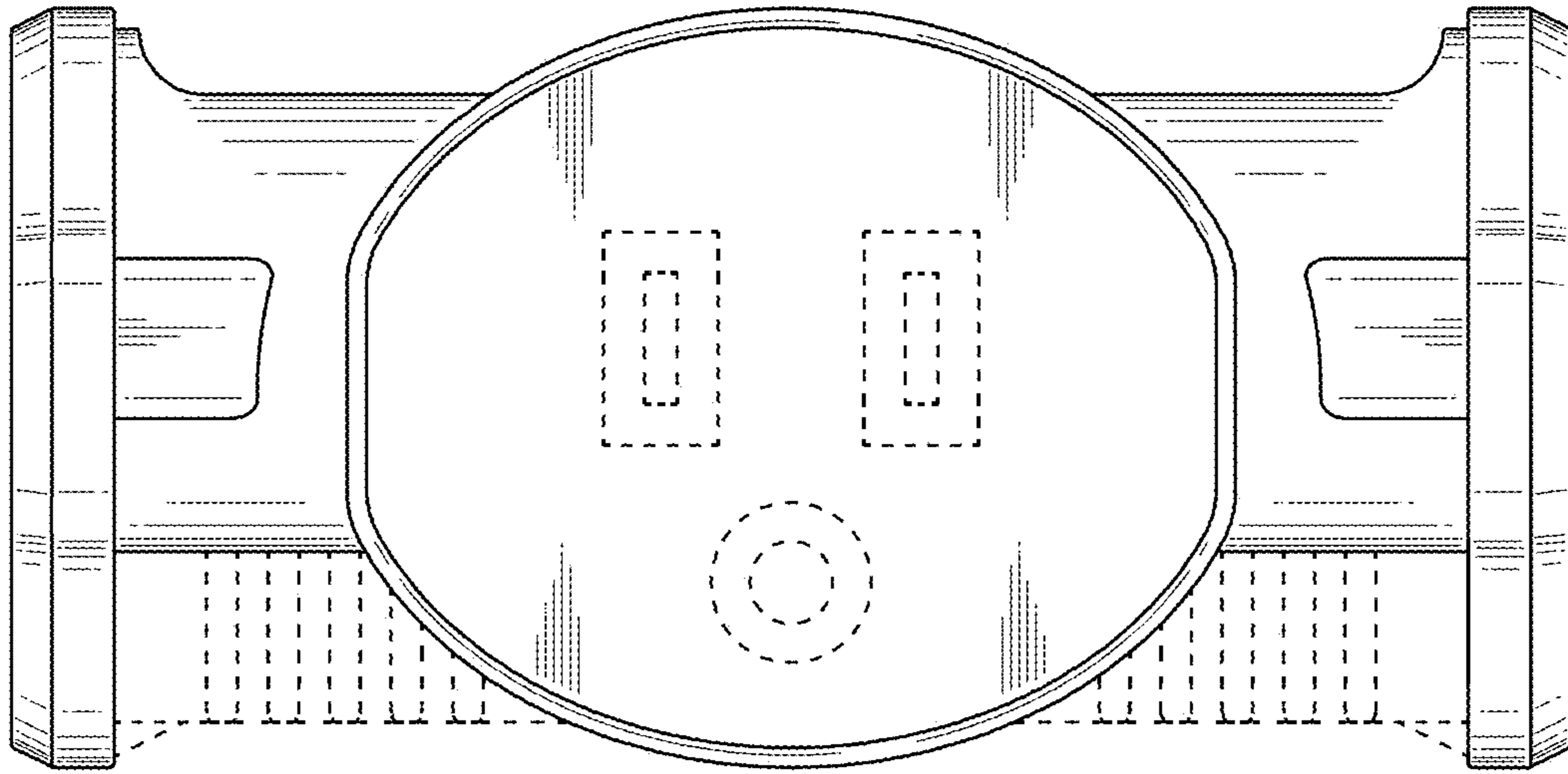


FIG. 2

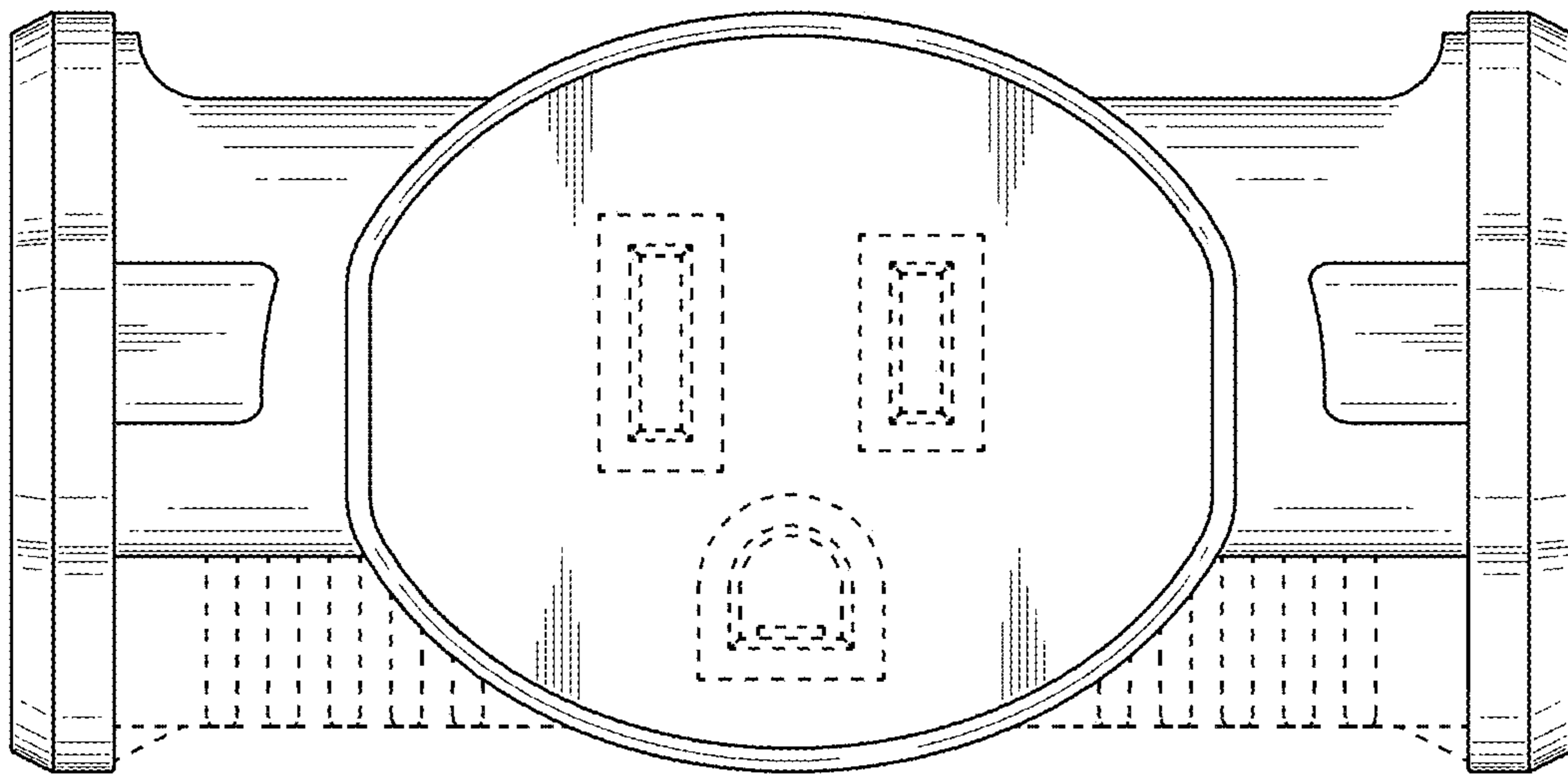


FIG. 3

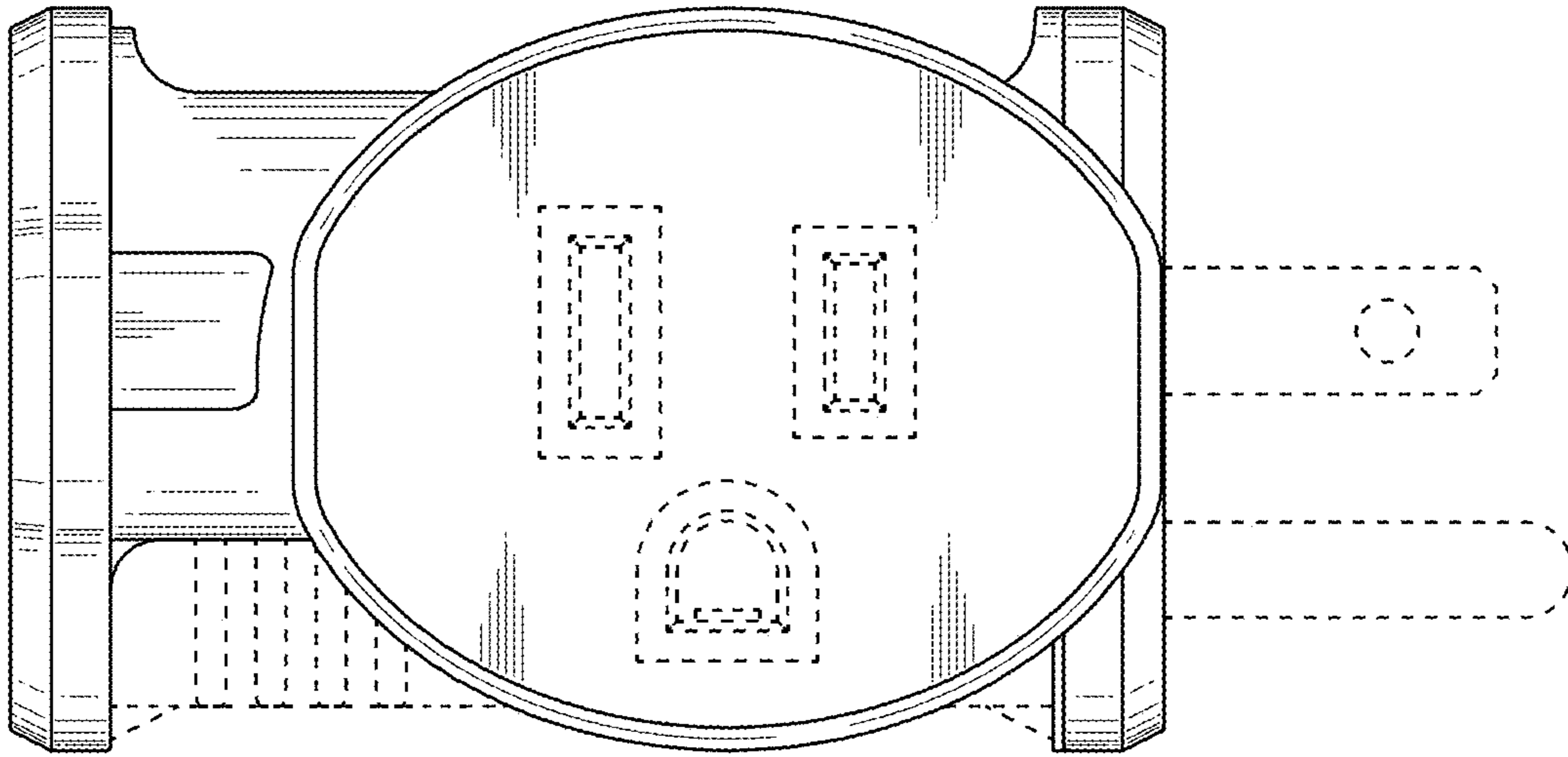


FIG. 4

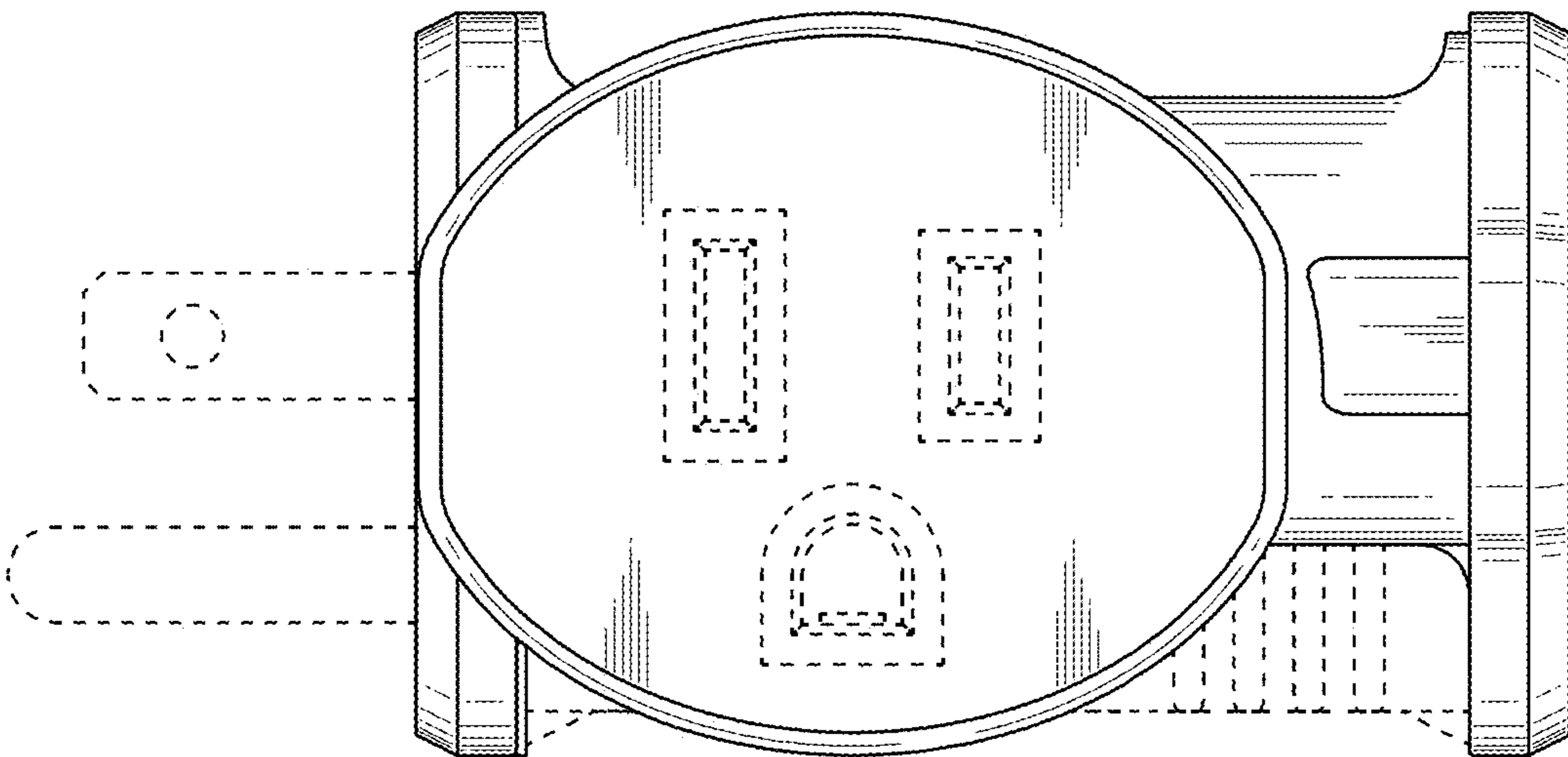


FIG. 5

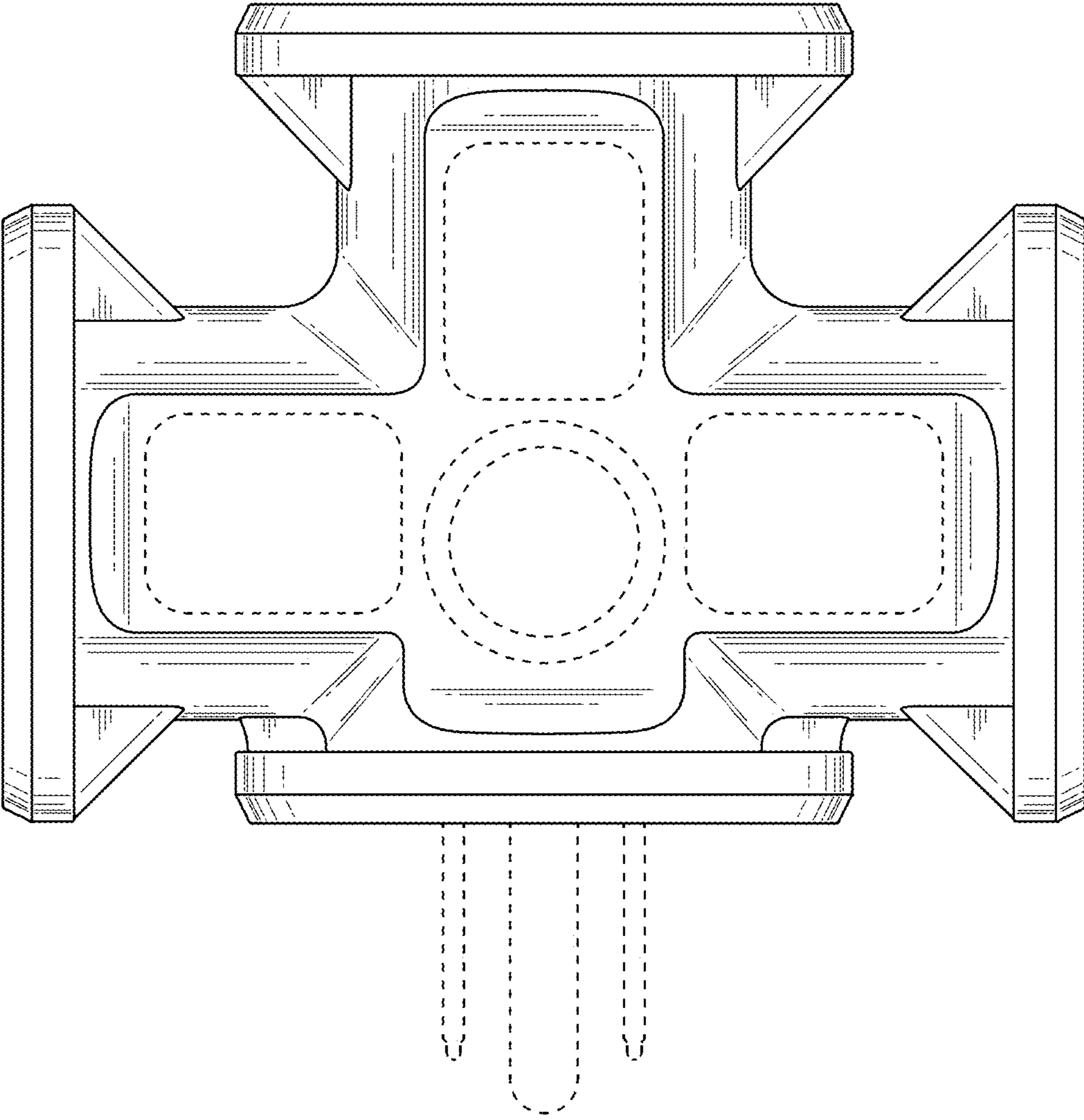


FIG. 6

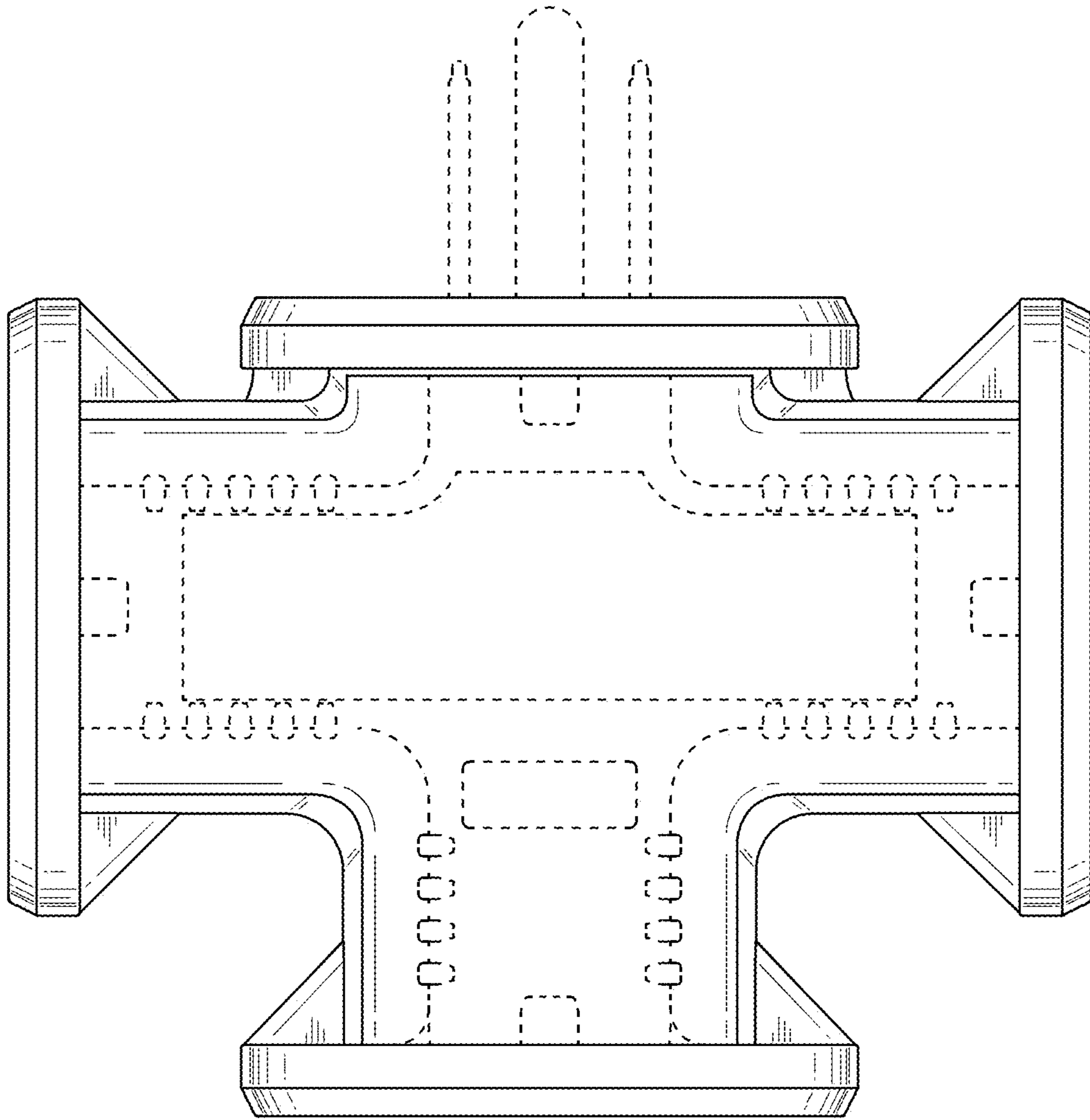


FIG. 7