



US00D955992S

(12) **United States Design Patent**
Lin

(10) **Patent No.:** **US D955,992 S**
(45) **Date of Patent:** **** Jun. 28, 2022**

(54) **SOCKET**

(71) Applicant: **Dongguan Wontravel Electric Co., Ltd.**, Guangdong (CN)

(72) Inventor: **Liangguan Lin**, Guangdong (CN)

(**) Term: **15 Years**

(21) Appl. No.: **29/769,180**

(22) Filed: **Feb. 4, 2021**

(30) **Foreign Application Priority Data**

Sep. 9, 2020 (CN) 202030527667.3

(51) **LOC (13) Cl.** **13-03**

(52) **U.S. Cl.**
USPC **D13/137.1**

(58) **Field of Classification Search**
USPC D13/137.1, 137.2, 137.3, 137.4, 138.1, D13/138.2, 139.1, 139.2, 139.3, 139.4, D13/139.5, 139.6, 139.7, 139.8, 103, 107, D13/108, 110, 119, 123, 133, 145, 152, D13/153, 154, 156, 158, 160, 162, 177, D13/184, 199
CPC H01R 13/00; H01R 13/03; H01R 13/04; H01R 13/10; H01R 13/35; H01R 13/44; H01R 13/453; H01R 13/4534; H01R 13/502; H01R 13/514; H01R 13/631; H01R 13/639; H01R 13/6633; H01R 13/6666; H01R 13/6675; H01R 13/7135; H01R 13/02; H01R 13/06; H01R 13/065

See application file for complete search history.

(56) **References Cited**

U.S. PATENT DOCUMENTS

D734,253 S * 7/2015 Tinaphong H01R 13/70 D13/137.1
D816,614 S * 5/2018 An D13/137.1
D819,570 S * 6/2018 Zhong D13/137.1
D858,439 S * 9/2019 Li D13/137.2

D867,295 S * 11/2019 Shaopeng D13/137.2
D908,630 S * 1/2021 Huang D13/137.2
D909,305 S * 2/2021 Shaopeng D13/137.2
D909,307 S * 2/2021 Shaopeng D13/137.2

(Continued)

FOREIGN PATENT DOCUMENTS

GB 6127083 * 3/2021
GB 6127084 * 3/2021

OTHER PUBLICATIONS

“European Plug Adapter 2 Pack, TESSAN International Travel Power Outlet Adaptor with 2 USB, Type C Charger from USA to Most of Europe EU Spain Iceland Germany France Italy Israel”, first available Dec. 10, 2018. Amazon.com [https://www.amazon.com/dp/B07L87GPPT] (Year: 2018).*

(Continued)

Primary Examiner — Rosemary K Tarcza
Assistant Examiner — Seth David Kumpf
(74) *Attorney, Agent, or Firm* — Prakash Nama; Global IP Services, PLLC

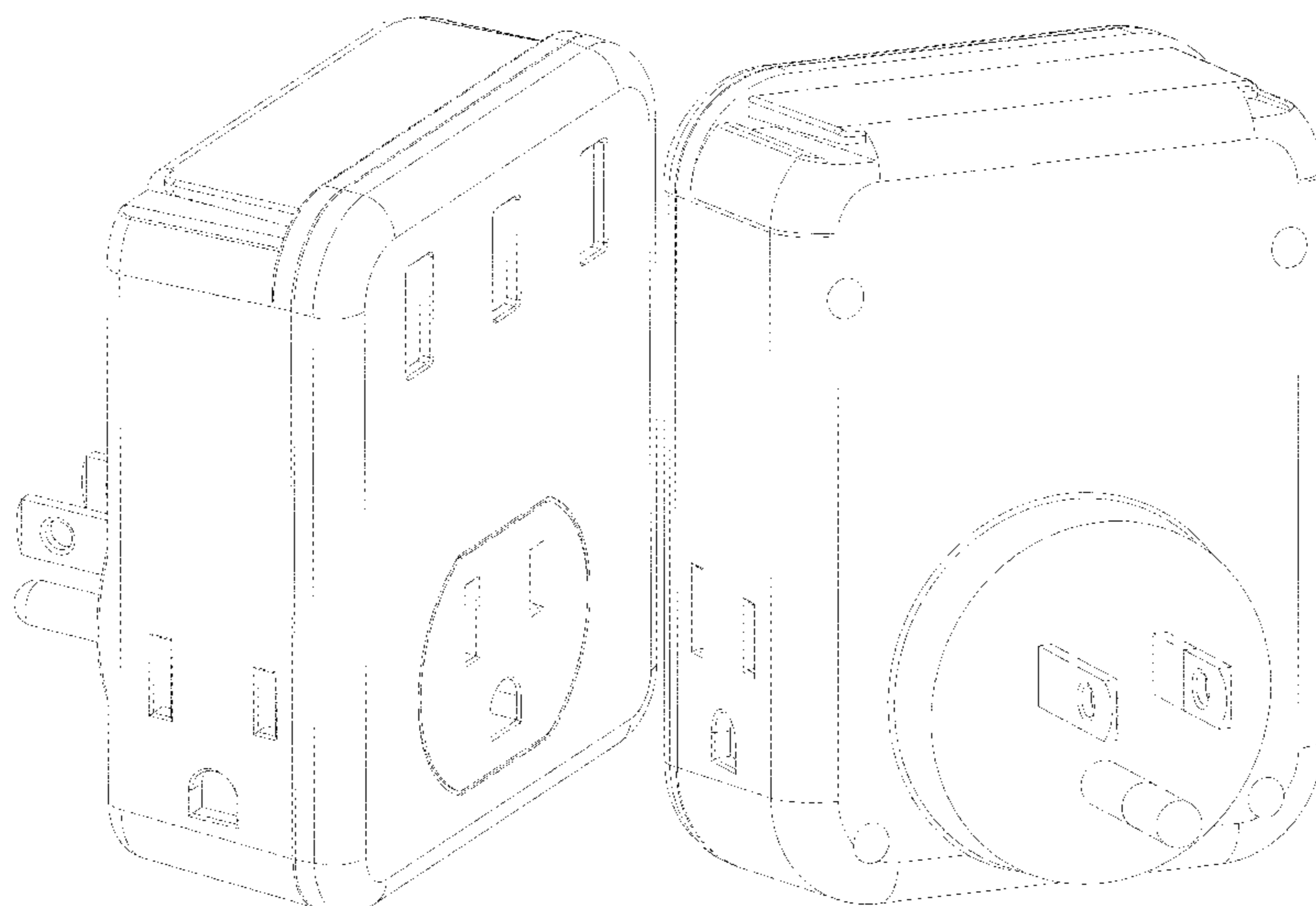
(57) **CLAIM**

The ornamental design for a socket, as shown.

DESCRIPTION

FIG. 1 is a front elevational view of a socket showing my new design;
FIG. 2 is a rear elevational view thereof;
FIG. 3 is a left side view thereof;
FIG. 4 is a right side view thereof;
FIG. 5 is a top plan view thereof;
FIG. 6 is a bottom plan view thereof;
FIG. 7 is a perspective view thereof;
FIG. 8 is a second perspective view thereof;
FIG. 9 is a third perspective view thereof; and,
FIG. 10 is a fourth perspective view thereof.

1 Claim, 10 Drawing Sheets



(56)

References Cited

U.S. PATENT DOCUMENTS

D919,576 S * 5/2021 Chen D13/137.1
D924,807 S * 7/2021 Bao D13/137.2
D924,808 S * 7/2021 Bao D13/137.2
D938,361 S * 12/2021 Chang D13/137.2

OTHER PUBLICATIONS

“Multi Plug Outlet Extender with USB, JSAUX Wall Outlet Splitter, Multiple Plug Extender with 4 Outlets & 2 USB Ports (Smart 2.4A) 3 Prong Electrical Outlet Plug Adapter for Cruise Dorm Office Home”, first available Oct. 21, 2021. Amazon.com [<https://www.amazon.com/dp/B09JZ8BHCL>] (Year: 2021).*

“Multi Plug Outlet Extender with USB, TESSAN Electrical 7 Outlet Splitter with 3 USB Wall Charger, Multiple Power Expander for Cruise, Home, Office, Dorm Essentials”, first available Nov. 22, 2021. Amazon.com [<https://www.amazon.com/dp/B09F6N21V6>] (Year: 2021).*

“Multi Plug Outlet Extender, LENCENT 3 Outlets Splitter with 3 USB Ports, Wall Charger, 3 Prong Plug Adapter, Power Charging Box Expander for Home, Office, Hotel, Dorm, Cruise Ship Approved—White”, first available Nov. 3, 2020 Amazon.com [<https://www.amazon.com/dp/B08ML7RS2V>] (Year: 2020).*

* cited by examiner

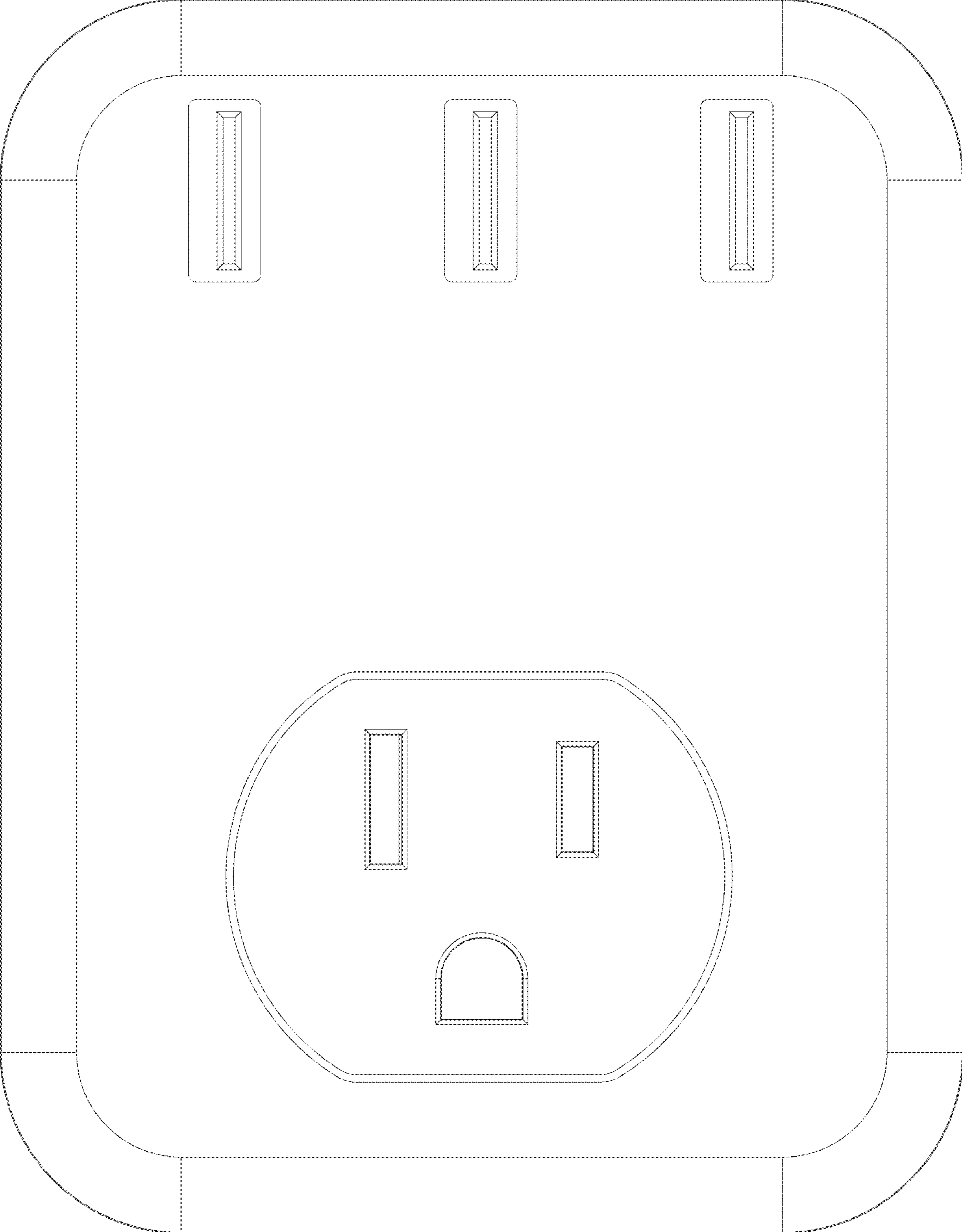


FIG. 1

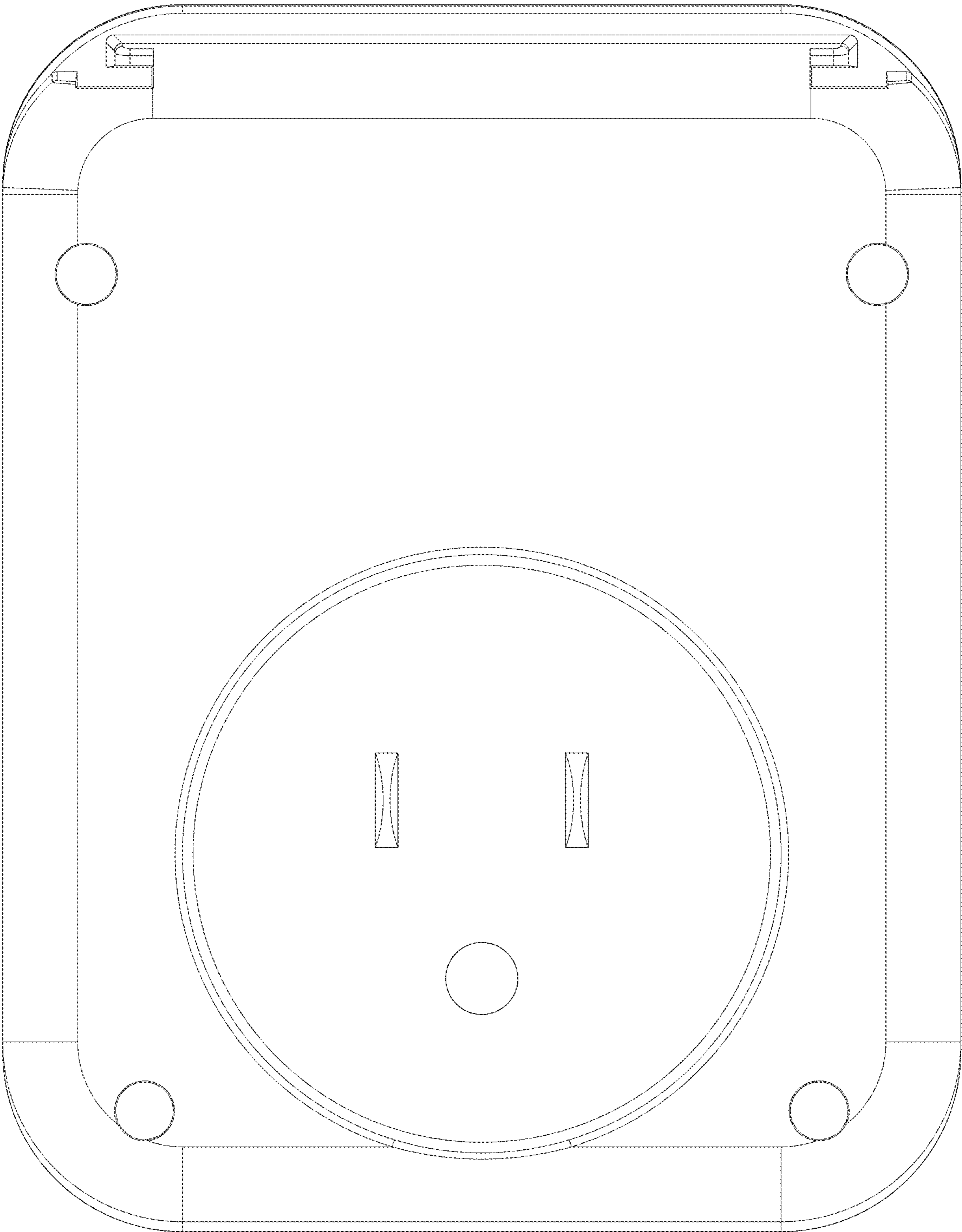


FIG. 2

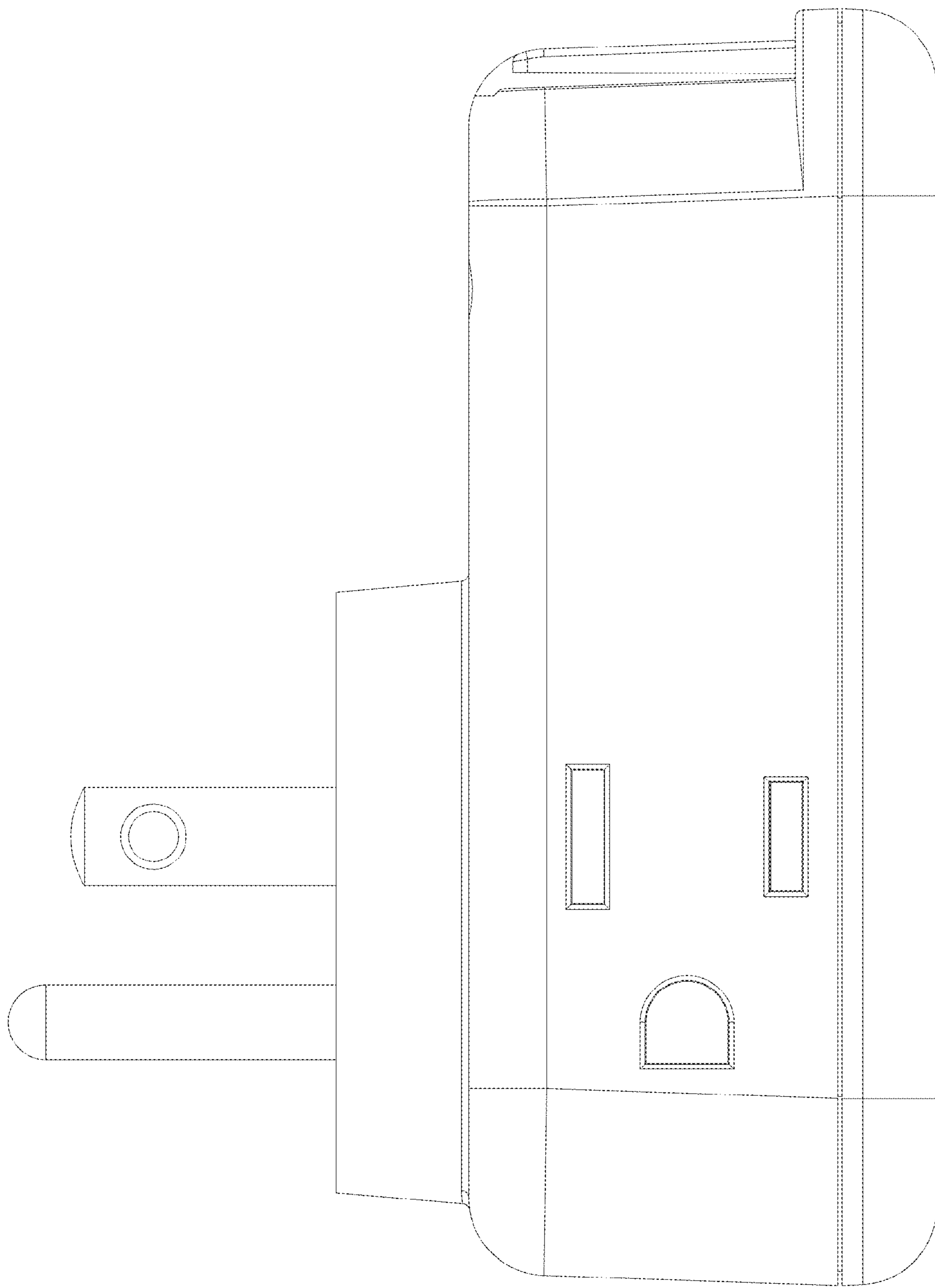


FIG. 3

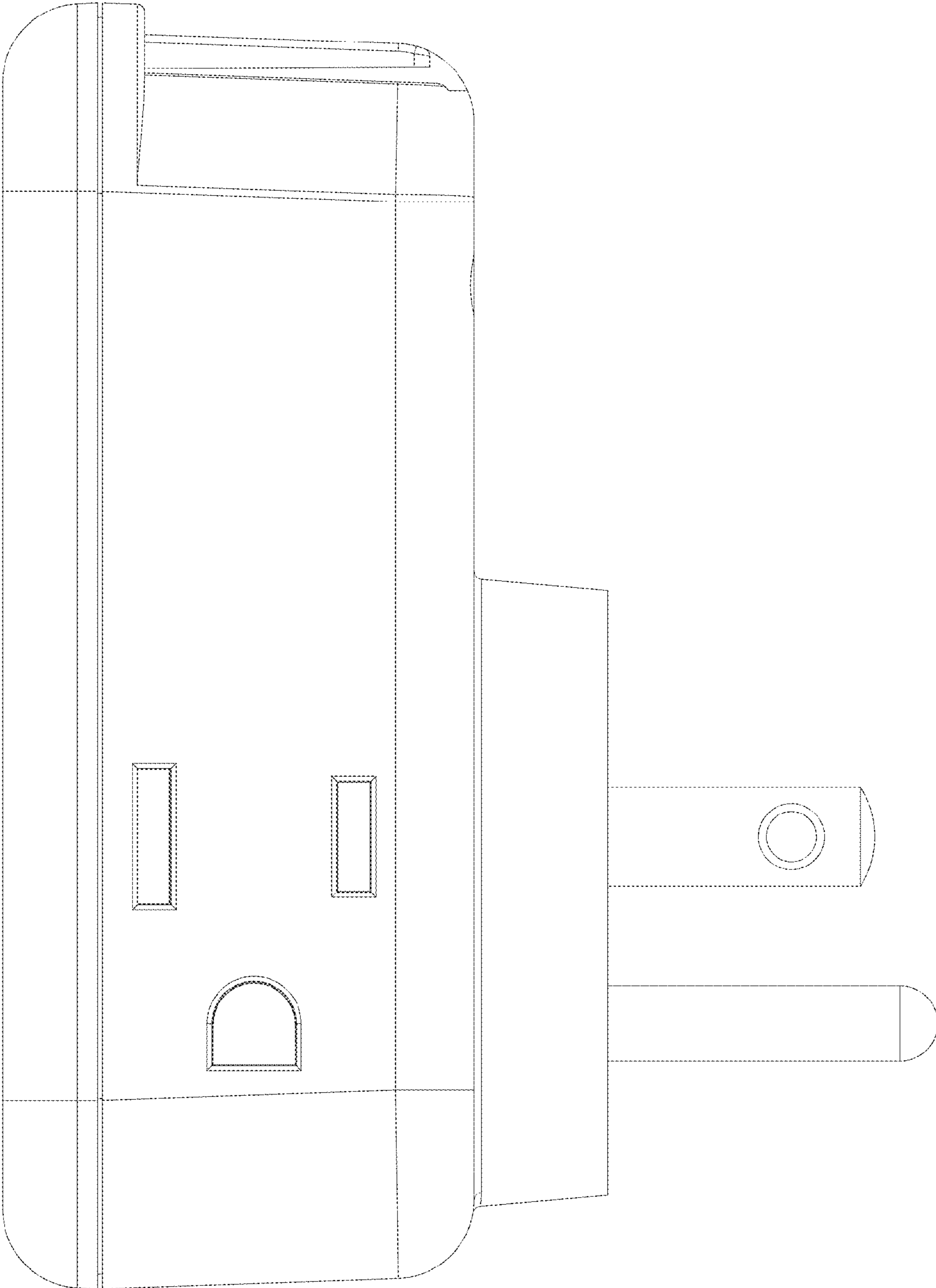


FIG. 4

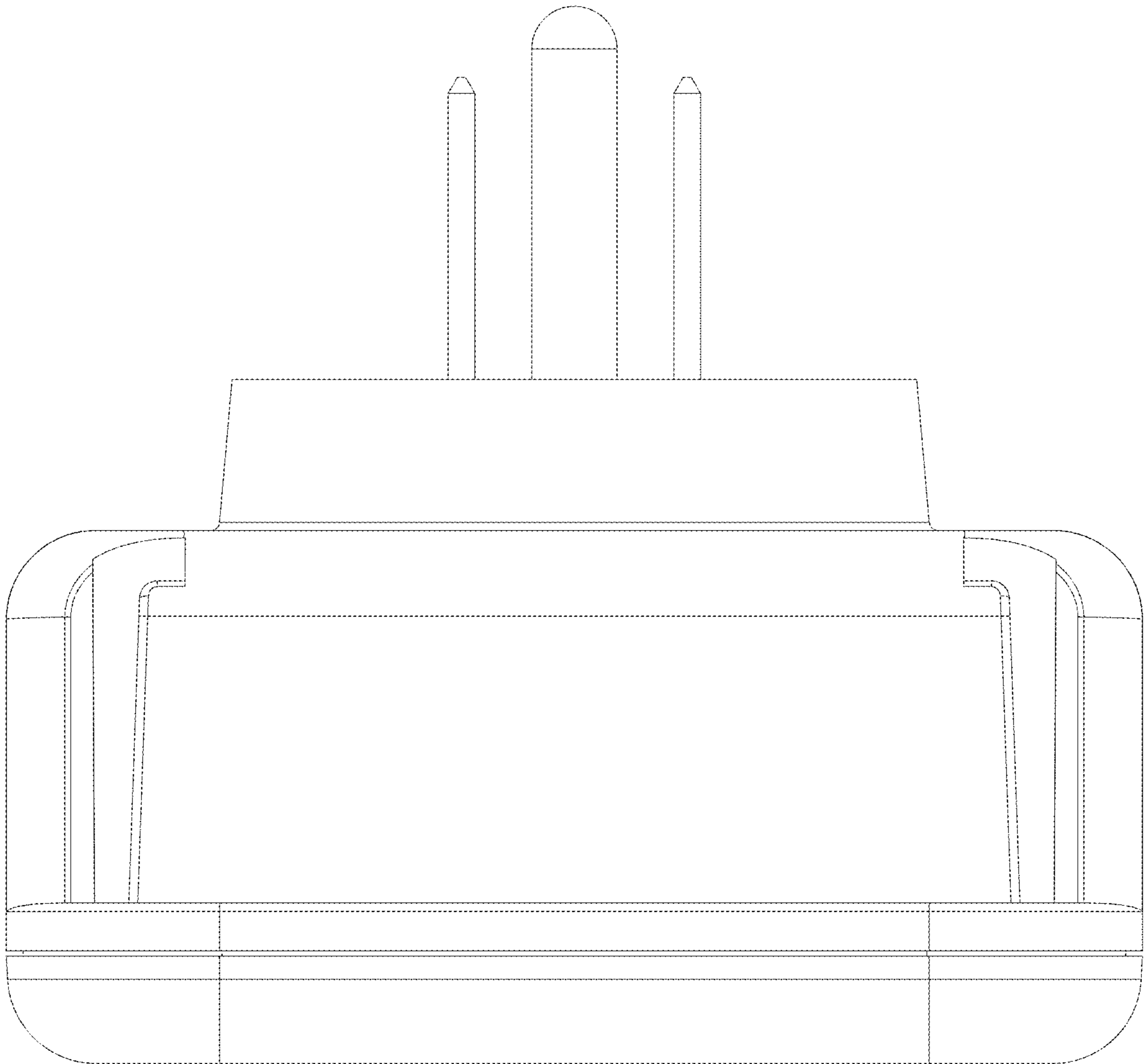


FIG. 5

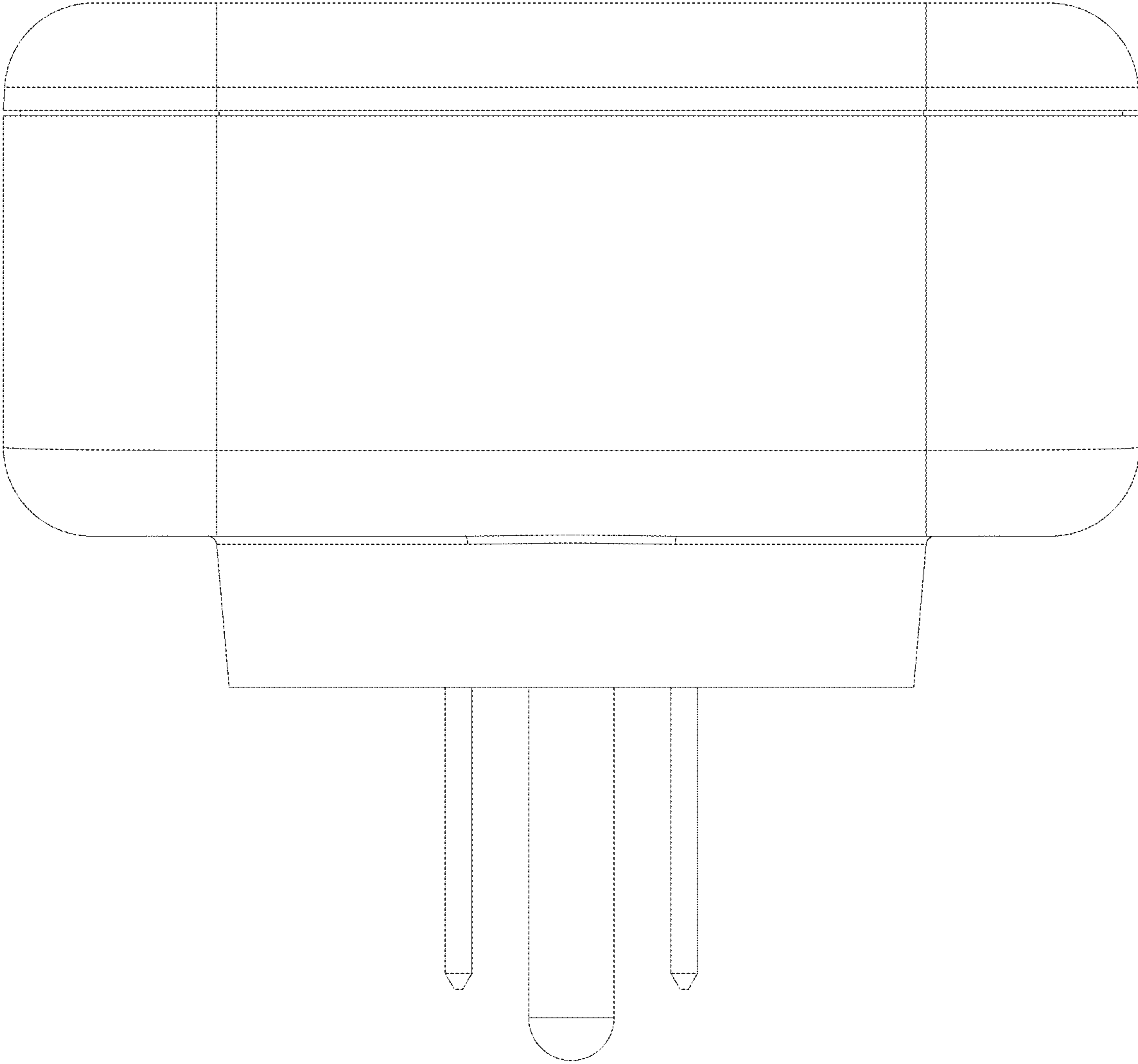


FIG. 6

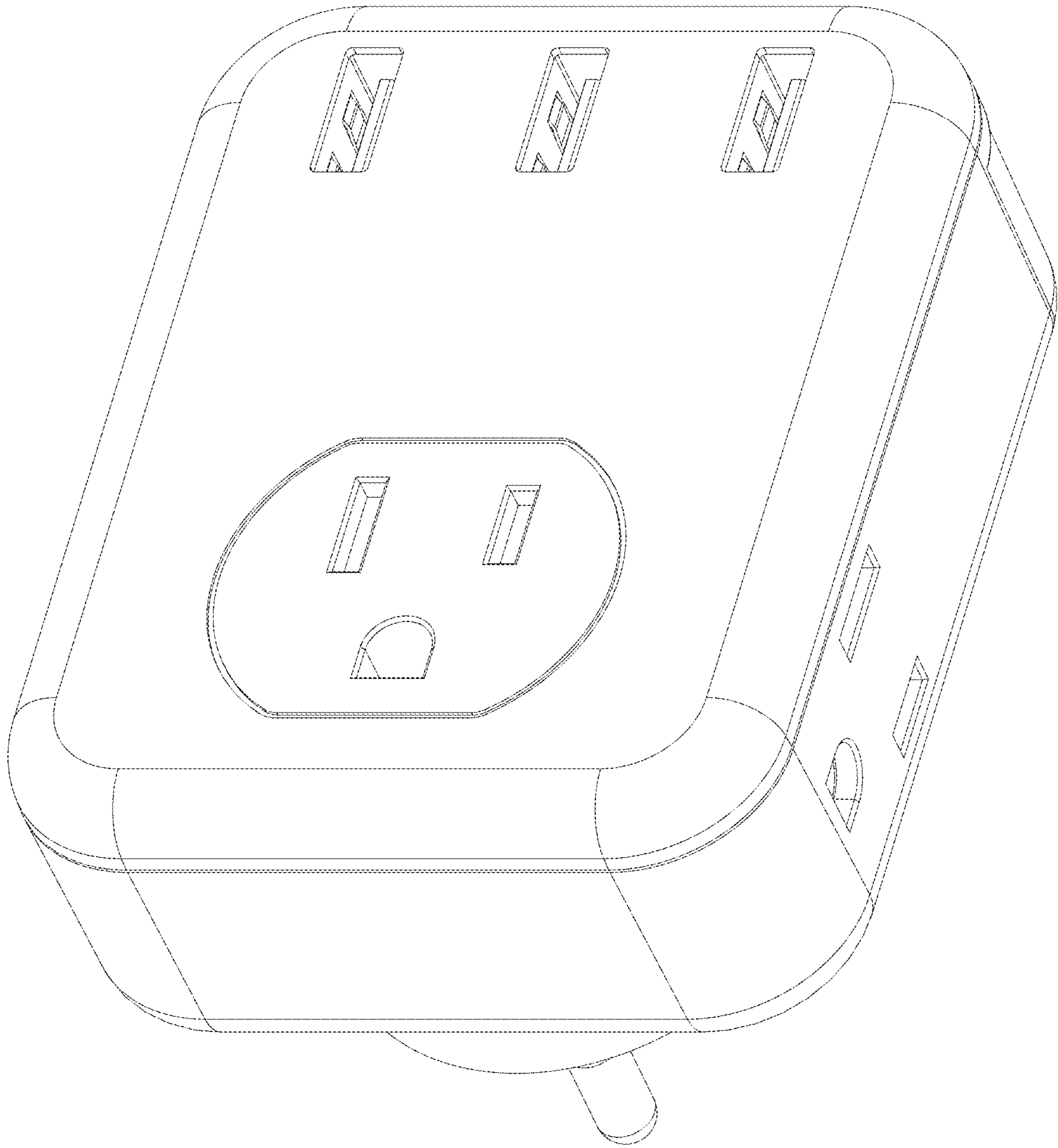


FIG. 7

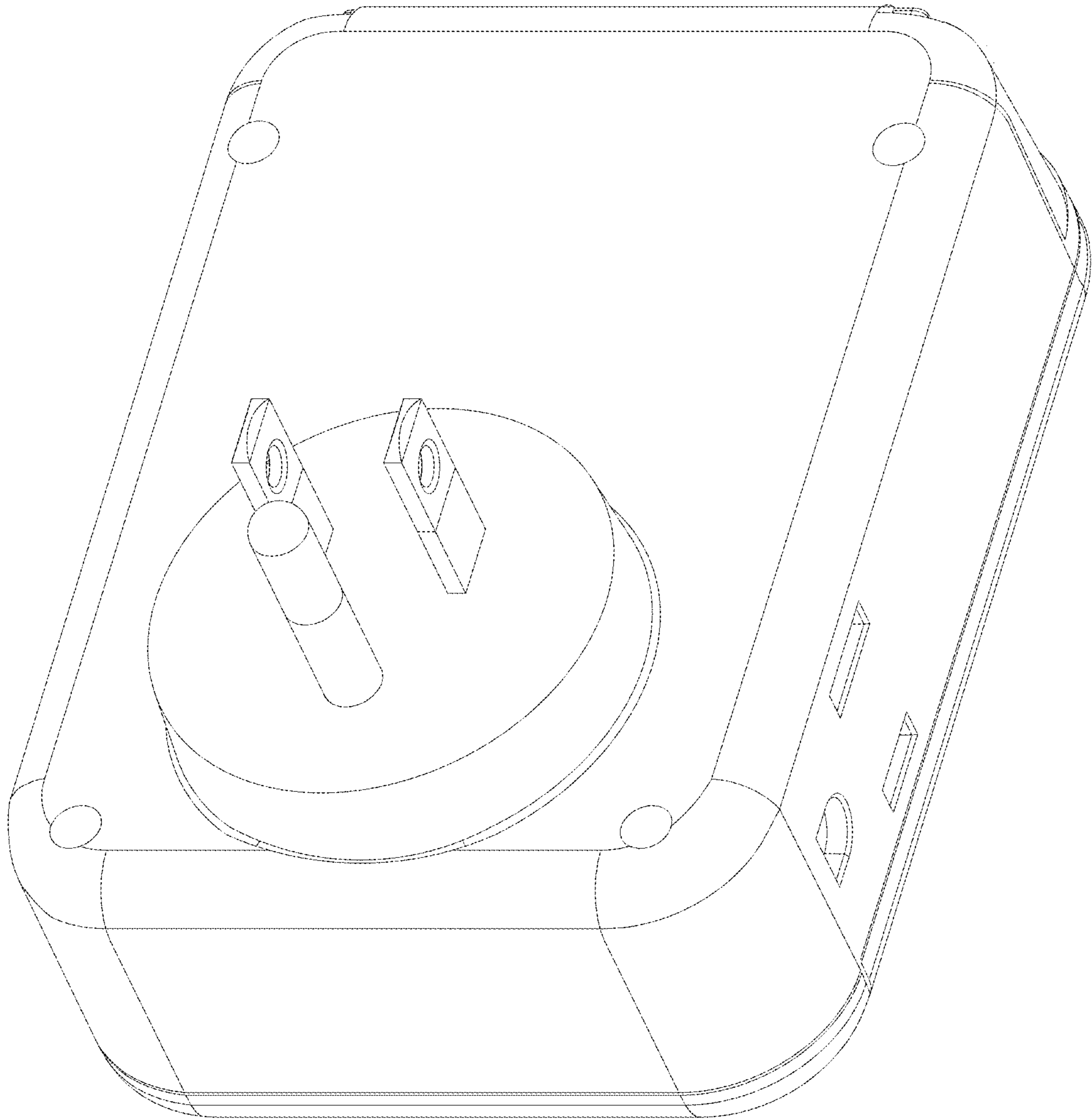


FIG. 8

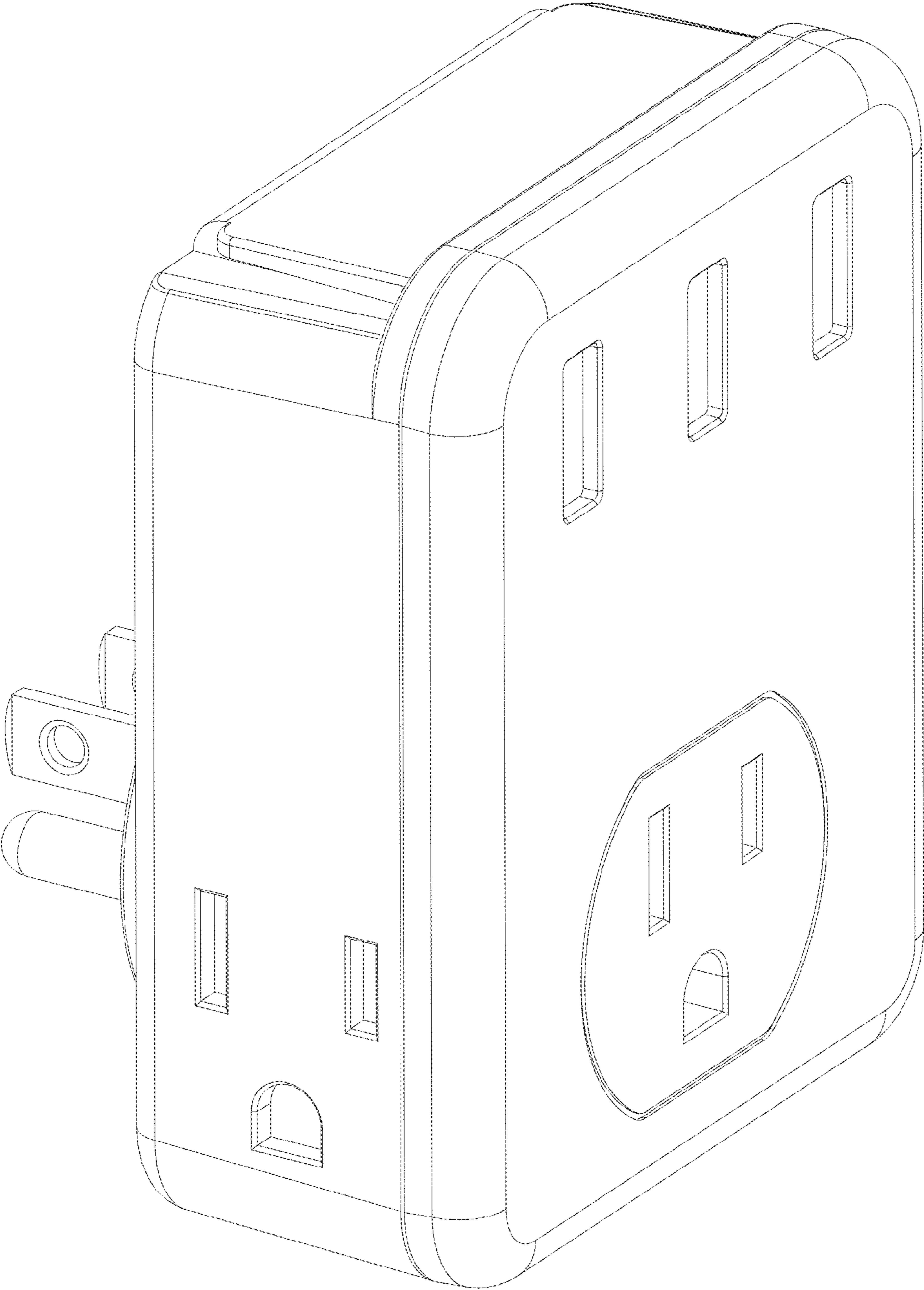


FIG. 9

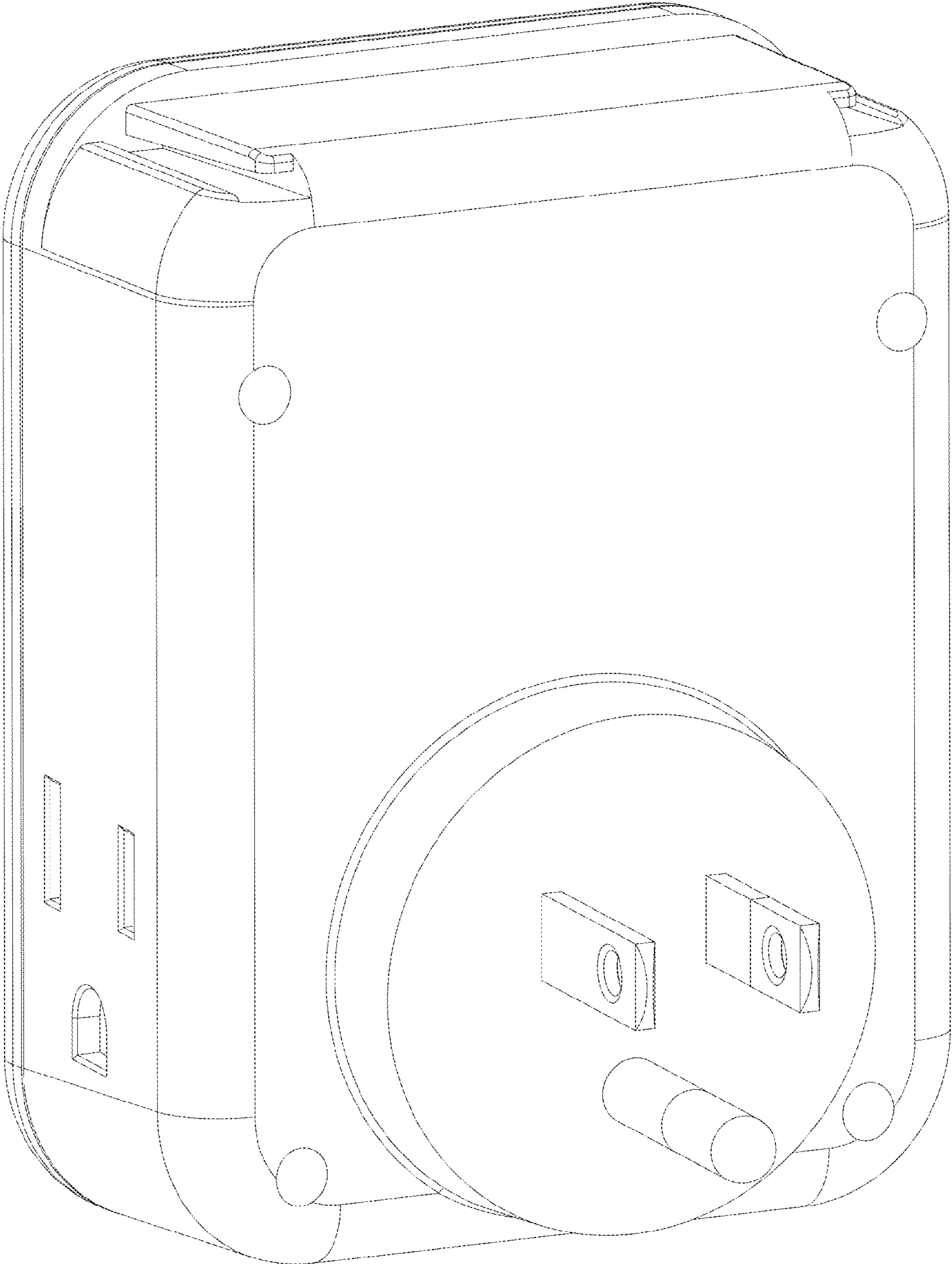


FIG. 10