



US00D955991S

(12) **United States Design Patent** (10) **Patent No.:** **US D955,991 S**
Solak (45) **Date of Patent:** **** Jun. 28, 2022**

(54) **ELECTRICAL OUTLET SAFETY DEVICE**
(71) Applicant: **David M. Solak**, Seven Hills, OH (US)
(72) Inventor: **David M. Solak**, Seven Hills, OH (US)
(**) Term: **15 Years**
(21) Appl. No.: **29/700,063**
(22) Filed: **Jul. 31, 2019**
(51) **LOC (13) Cl.** **13-03**
(52) **U.S. Cl.**
USPC **D13/137.1; D13/137.2**
(58) **Field of Classification Search**
USPC D13/137.1–137.4, 138.1, 138.2,
D13/139.1–139.8, 171, 173, 174, 178,
D13/184, 110
CPC .. H01R 13/639; H01R 13/6392; H01R 13/64;
H01R 13/642; H01R 13/648; H01R
13/652; H01R 13/66; H01R 13/6666;
H01R 13/6683; H01R 13/68; H01R
13/713; H02G 3/12; H02G 3/14; H01H
73/06; H01H 73/08; H01H 71/58; H01H
83/04
See application file for complete search history.

5,198,955 A 3/1993 Willner
D359,271 S 6/1995 Reinholt
5,459,444 A 10/1995 Baer et al.
5,661,623 A 8/1997 McDonald et al.
D540,656 S 4/2007 Corbn
D595,229 S * 6/2009 LaGrotta D13/137.2
D671,495 S * 11/2012 Zanoni D13/139.1
D674,754 S * 1/2013 Zanoni D13/139.1
D675,986 S * 2/2013 Zanoni D13/139.1
D675,987 S * 2/2013 Zanoni D13/139.1
D687,779 S * 8/2013 Zanoni D13/139.1
D692,385 S 10/2013 Dodal et al.
D710,804 S 8/2014 Duffy et al.
8,834,210 B2 9/2014 Brausen
D793,846 S 8/2017 Armstrong, Jr. et al.
D823,263 S 7/2018 Cyzen
D861,615 S * 10/2019 Zanoni D13/139.1
2006/0146455 A1 7/2006 Keller

* cited by examiner

Primary Examiner — Mary Shannon Malley
Assistant Examiner — Lee D. Starr
(74) *Attorney, Agent, or Firm* — Curatolo, Sidoti & Trillis
Co., LPA; Salvatore A. Sidoti; Brittany L. Kulwicki

(57) **CLAIM**

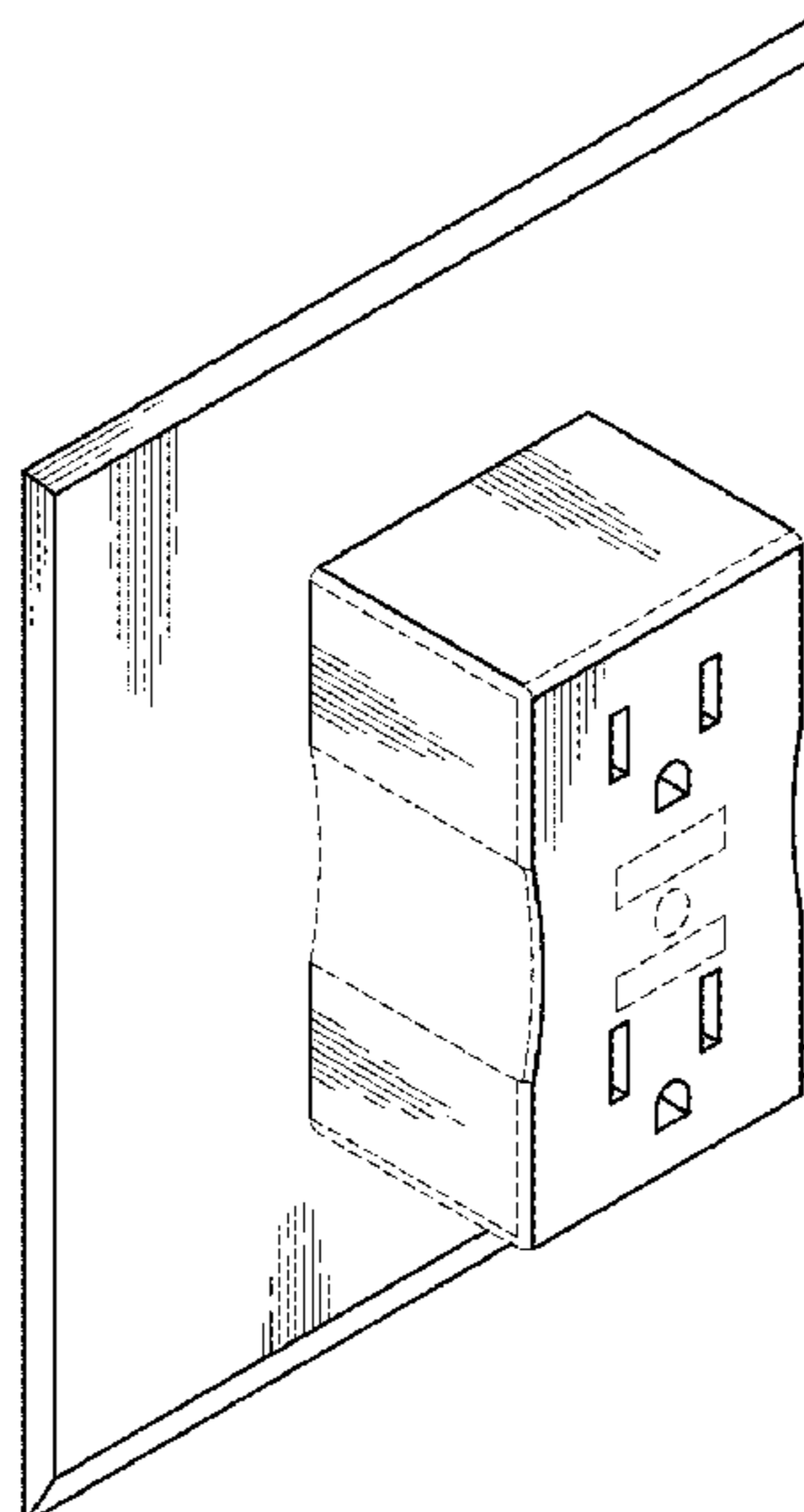
The ornamental design for an electrical outlet safety device,
as shown and described.

DESCRIPTION

FIG. 1 is a left side perspective view of an electrical outlet safety device showing my new design;
FIG. 2 is a front elevational view thereof;
FIG. 3 is a rear elevational view thereof;
FIG. 4 is a left side elevational view thereof;
FIG. 5 is a right side elevational view thereof;
FIG. 6 is a top plan view thereof; and,
FIG. 7 is a bottom plan view thereof.
The broken lines in the drawings depict portions of the electrical outlet safety device that form no part of the claimed design.

1 Claim, 4 Drawing Sheets

(56) **References Cited**
U.S. PATENT DOCUMENTS
2,673,969 A * 3/1954 Pfister H01R 25/006
439/653
D187,269 S * 2/1960 Carlson D13/137.1
4,079,344 A 3/1978 Lauben et al.
4,197,567 A 4/1980 Dietz et al.
4,567,544 A 1/1986 Ronemus et al.
4,771,367 A 9/1988 Serr et al.
4,816,957 A 3/1989 Irwin
4,895,527 A 1/1990 Brown et al.
4,895,999 A 1/1990 Calderon
D309,093 S 7/1990 Reinholt
5,096,431 A * 3/1992 Byrne H01R 35/02
439/171



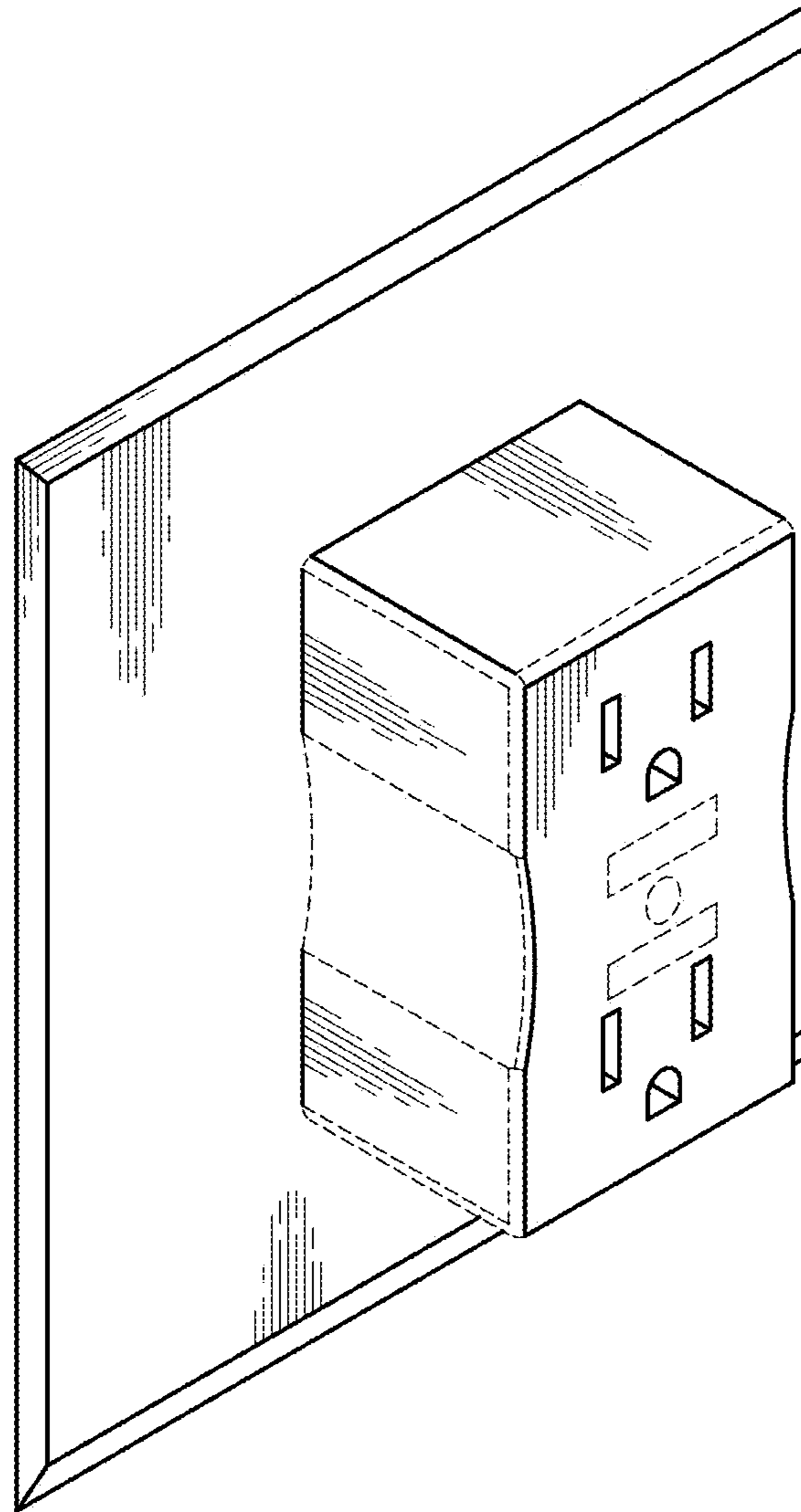


FIG. 1

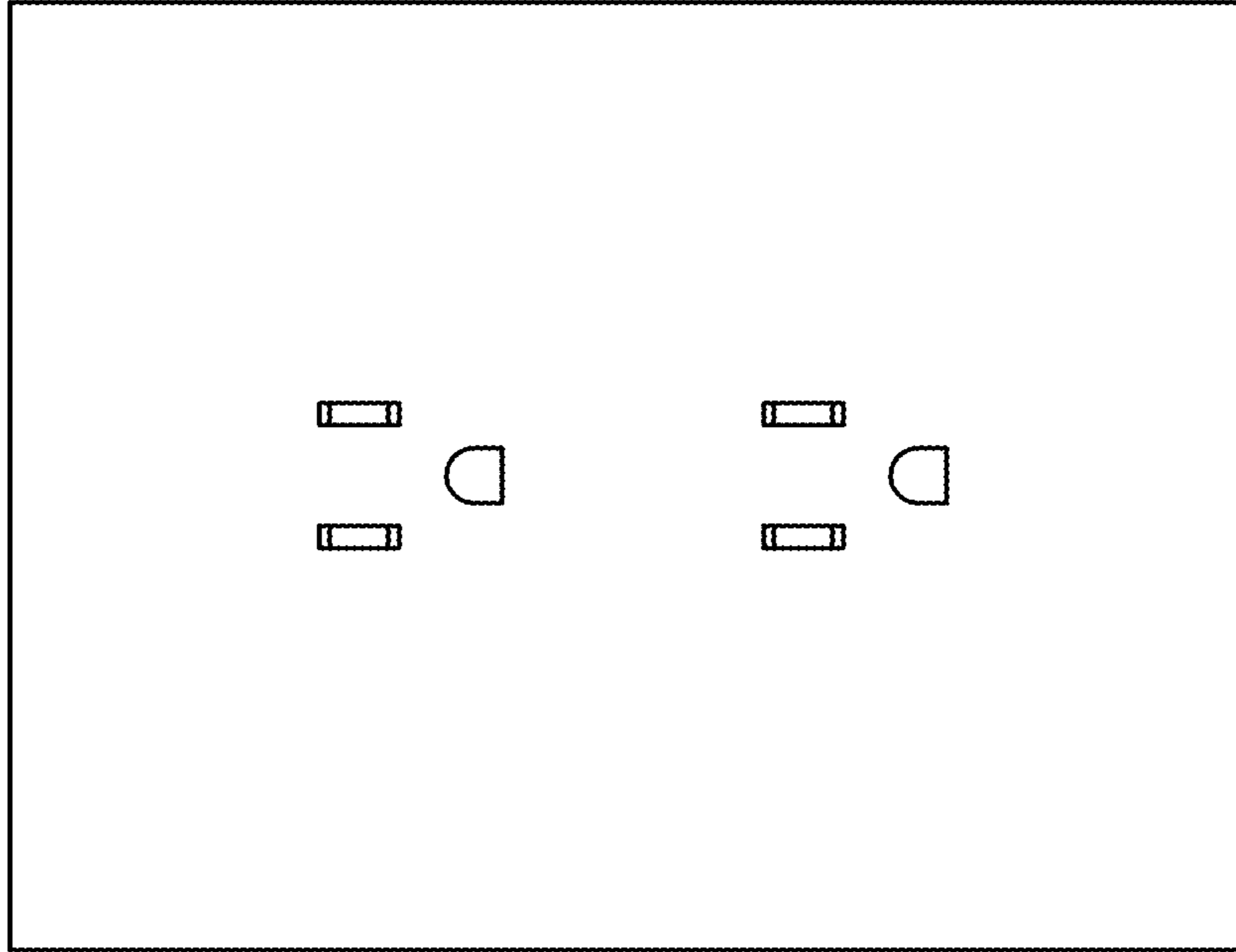


FIG. 3

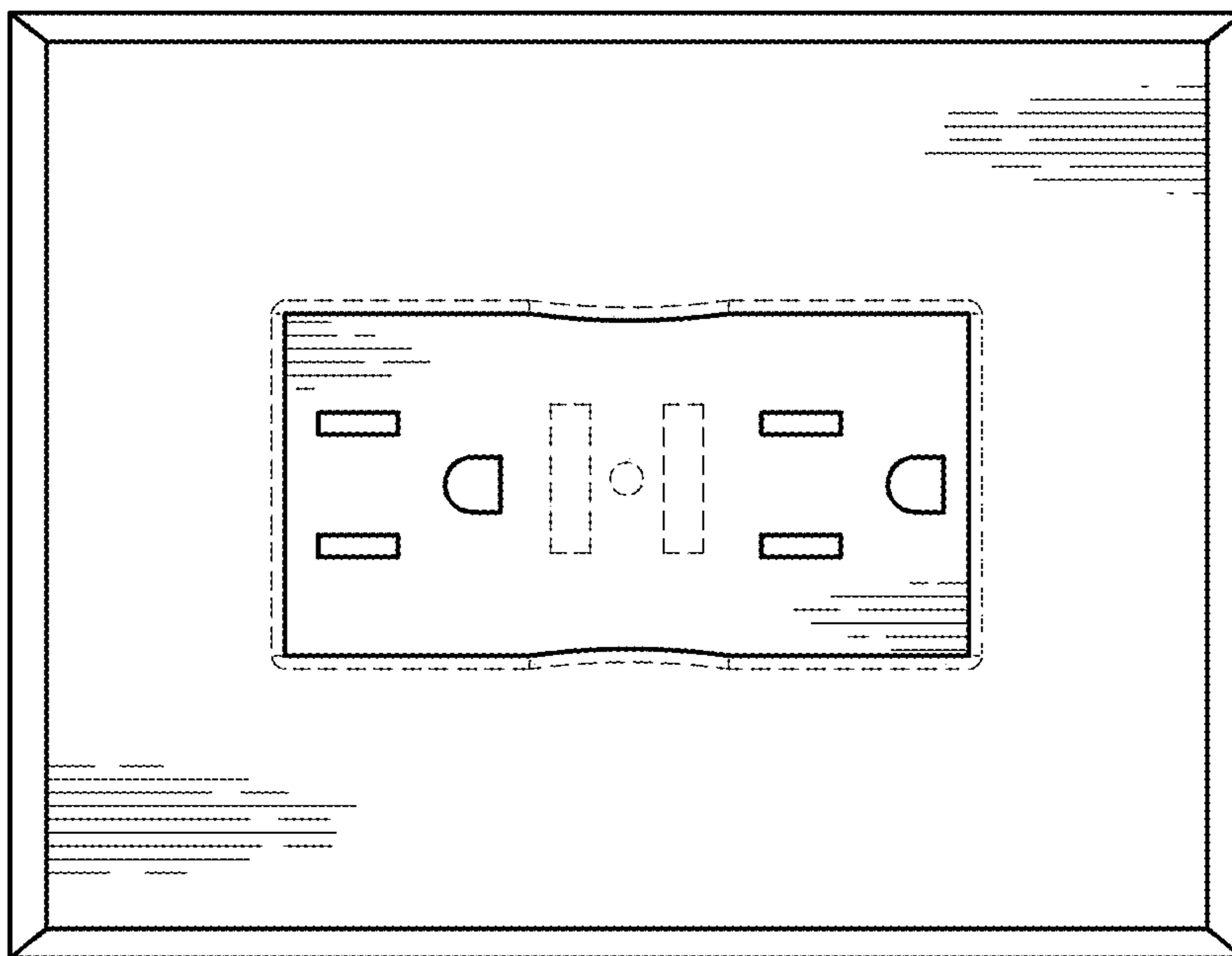


FIG. 2

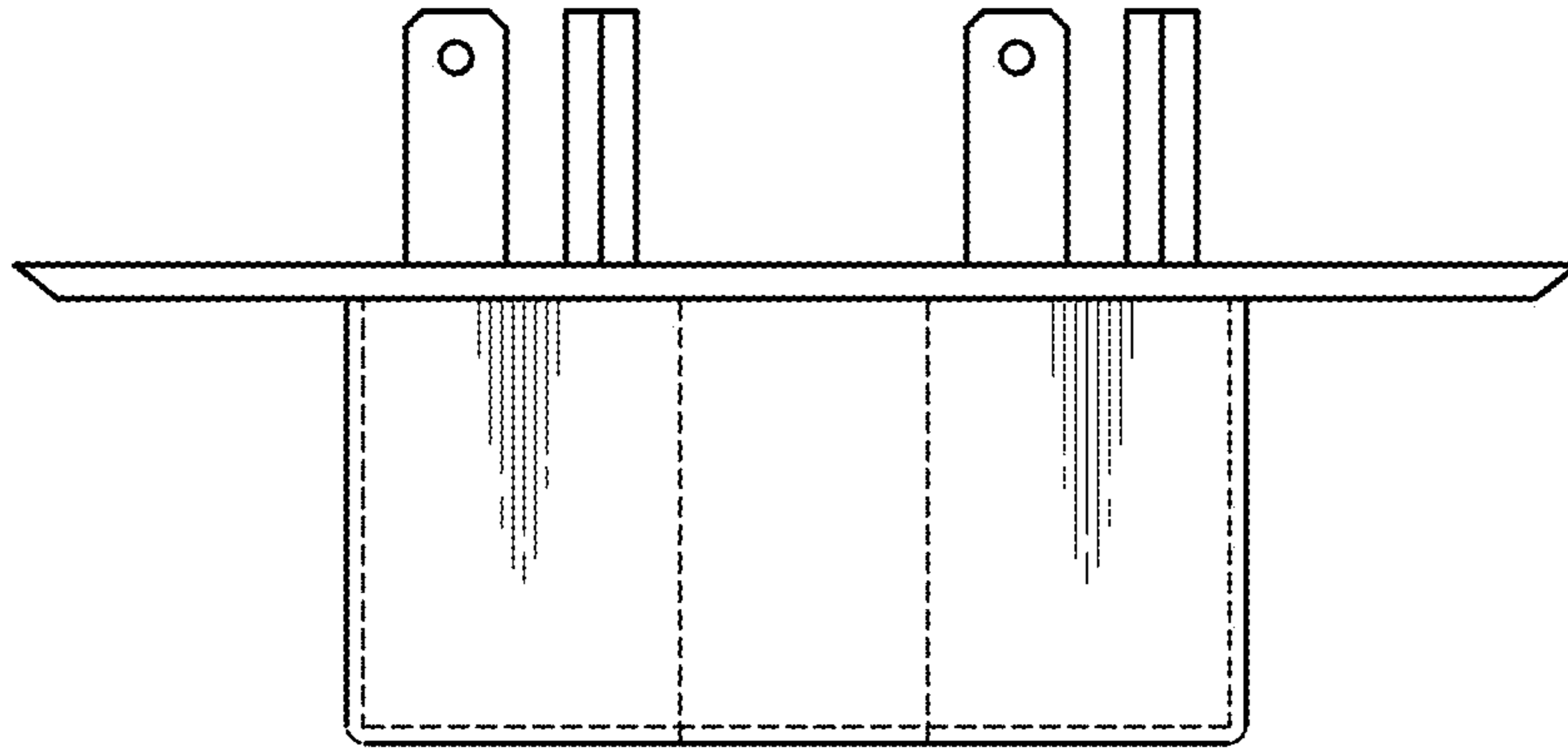


FIG. 5

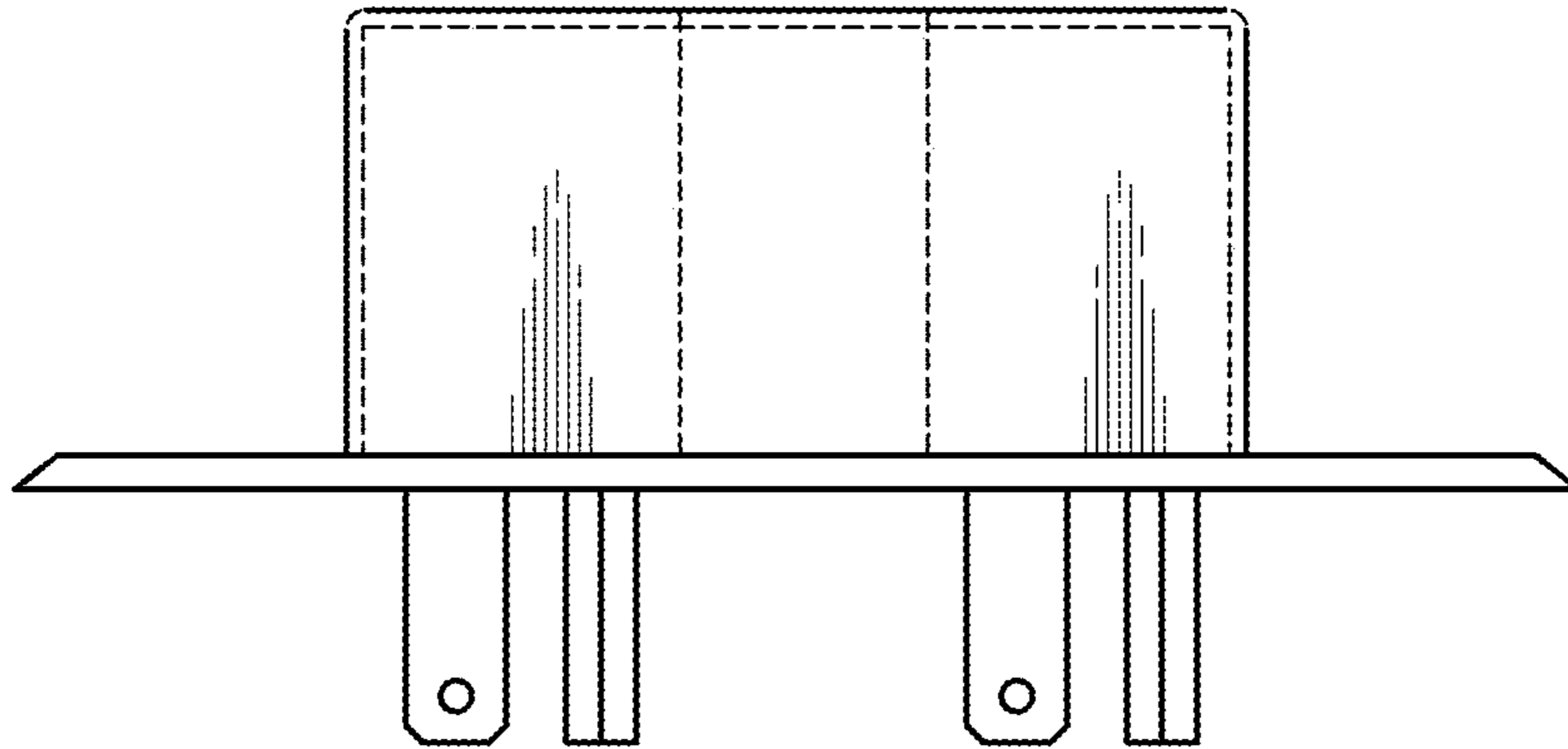


FIG. 4

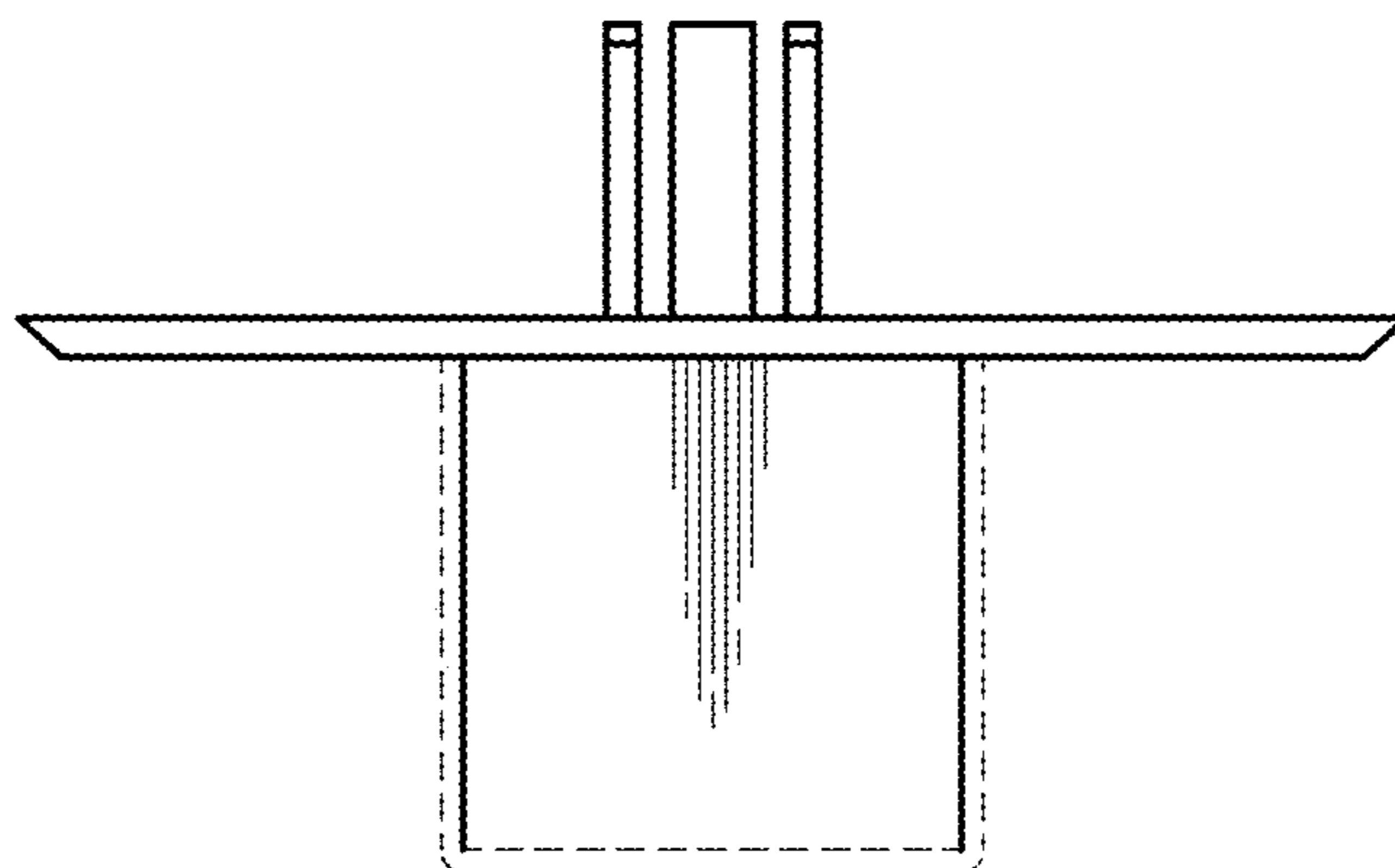


FIG. 6

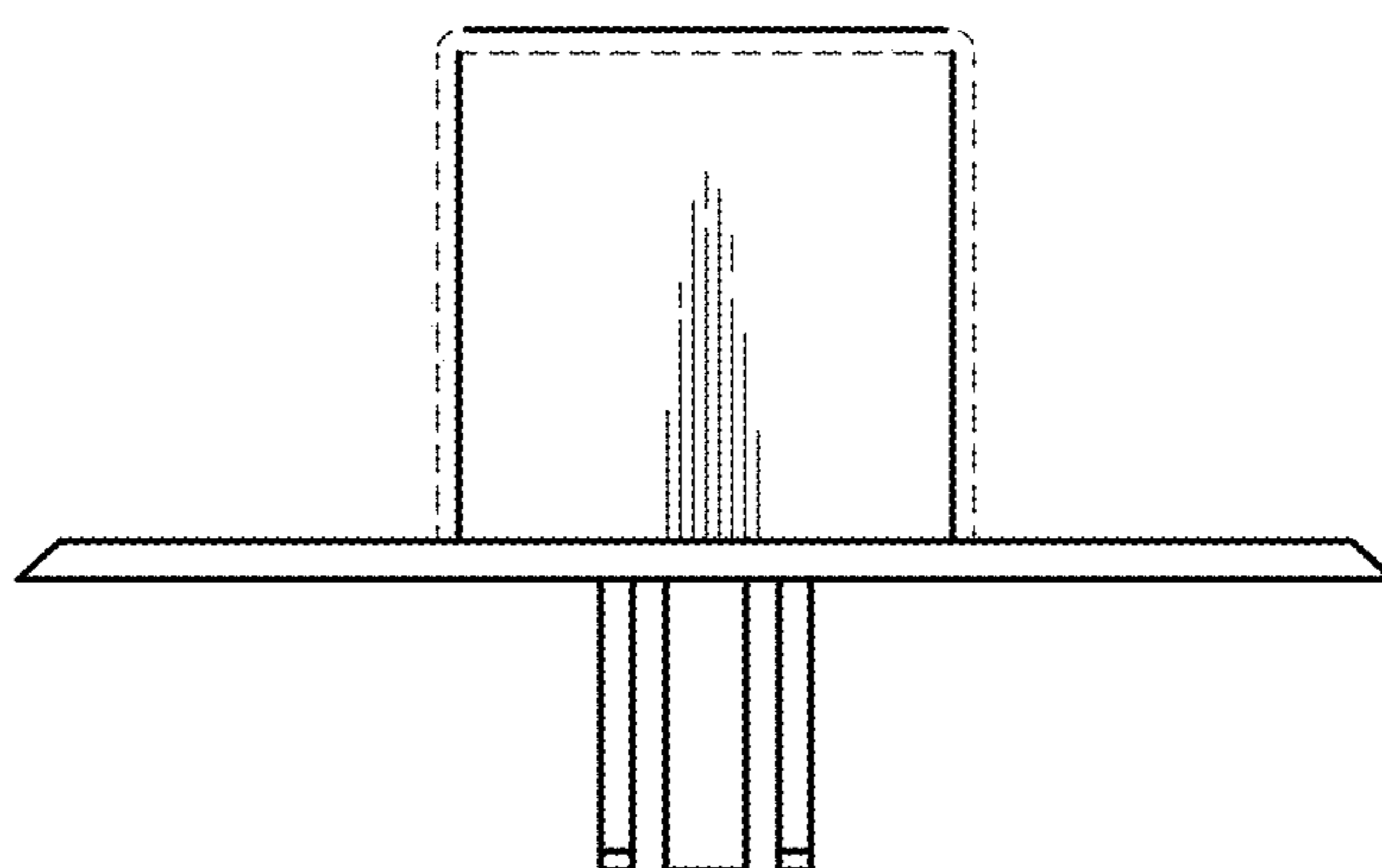


FIG. 7