



US00D955989S

(12) **United States Design Patent**  
**Yoon et al.**

(10) **Patent No.:** **US D955,989 S**  
(45) **Date of Patent:** **\*\* Jun. 28, 2022**

(54) **MOTOR MODULE**

(71) Applicant: **LUXROBO CO., LTD.**, Seoul (KR)

(72) Inventors: **Son Yoon**, Seoul (KR); **Eung Soo Jang**, Seoul (KR); **Dong Uk Jang**, Seoul (KR)

(73) Assignee: **LUXROBO CO., LTD.**, Seoul (KR)

(\*\*) Term: **15 Years**

(21) Appl. No.: **29/778,631**

(22) Filed: **Apr. 14, 2021**

(30) **Foreign Application Priority Data**

Mar. 9, 2021 (KR) ..... 30-2021-0011379

(51) **LOC (13) Cl.** ..... **13-01**

(52) **U.S. Cl.**  
USPC ..... **D13/112**

(58) **Field of Classification Search**

USPC ..... D13/112, 113, 114, 118, 122, 184, 199;  
D15/3, 5, 149, 199

CPC .. H02K 5/04; H02K 5/10; H02K 5/15; H02K 5/22; H02K 5/24; H02K 5/148; H02K 5/225; H02K 29/14; H02K 1/30; H02K 1/32; H02K 1/2786; H02K 3/24; H02K 3/47; H02K 11/21; H02K 11/22; H02K 11/33; H02P 6/06; Y10T 74/2186; Y10T 74/19684; Y10T 74/1987; Y10T 74/19884

See application file for complete search history.

(56) **References Cited**

U.S. PATENT DOCUMENTS

5,774,353 A *	6/1998	Wieloch .....	H01L 25/072 257/E25.016
D457,858 S *	5/2002	Lee .....	D13/110
D525,195 S *	7/2006	Palese .....	D13/112
D590,339 S *	4/2009	Yang .....	D13/110
D641,698 S *	7/2011	Christensen .....	D13/112
D654,871 S *	2/2012	Parsadayan .....	D13/112
D706,711 S *	6/2014	Robinson .....	D13/110

\* cited by examiner

*Primary Examiner* — Derrick E Holland

(74) *Attorney, Agent, or Firm* — Birch, Stewart, Kolasch & Birch, LLP

(57) **CLAIM**

The ornamental design for a motor module, as shown and described.

**DESCRIPTION**

FIG. 1 is a top, front, left perspective view of a motor module showing our new design;  
FIG. 2 is a front view thereof;  
FIG. 3 is a rear view thereof;  
FIG. 4 is a left side view thereof;  
FIG. 5 is a right side view thereof;  
FIG. 6 is a top plan view thereof;  
FIG. 7 is a bottom plan view thereof; and,  
FIG. 8 is a bottom, front, left perspective view thereof.

**1 Claim, 8 Drawing Sheets**

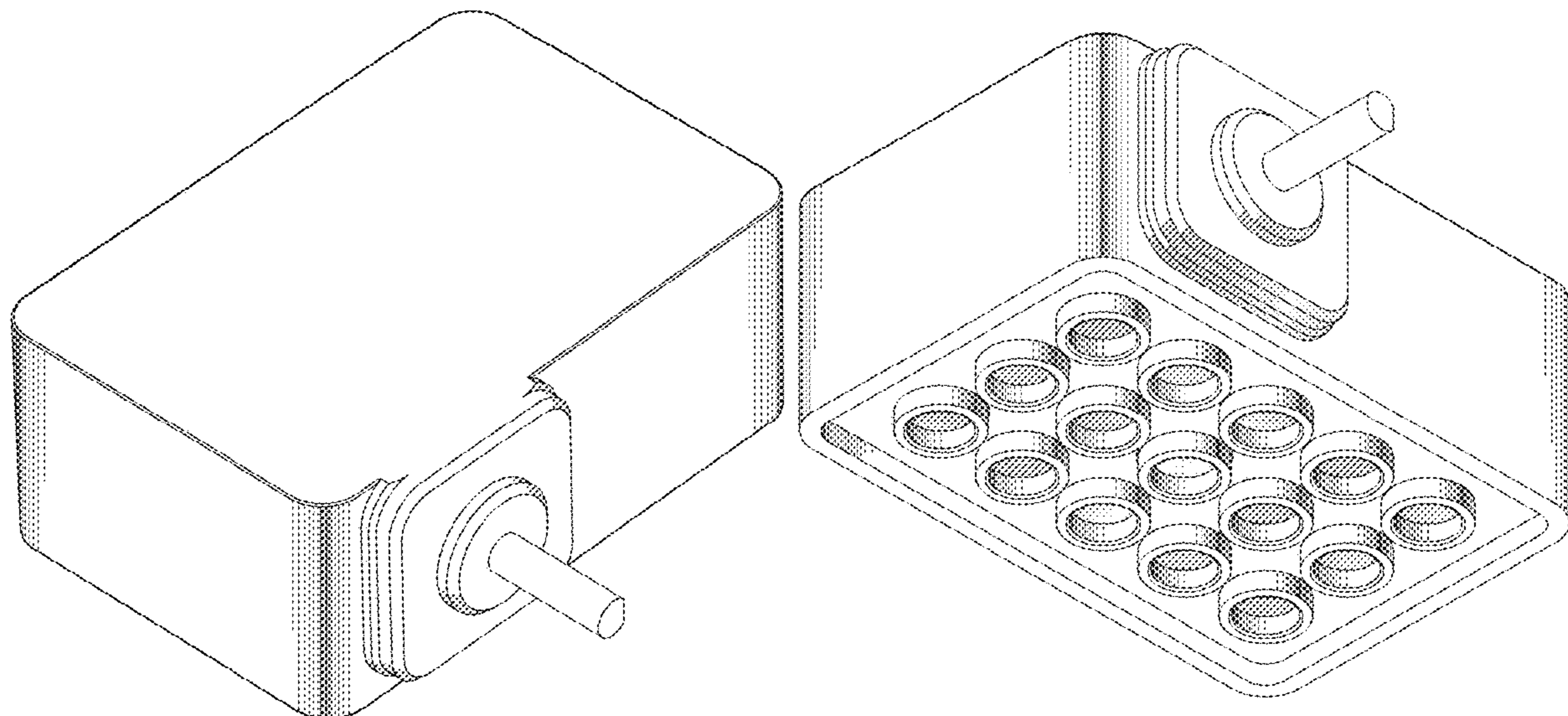


FIG. 1

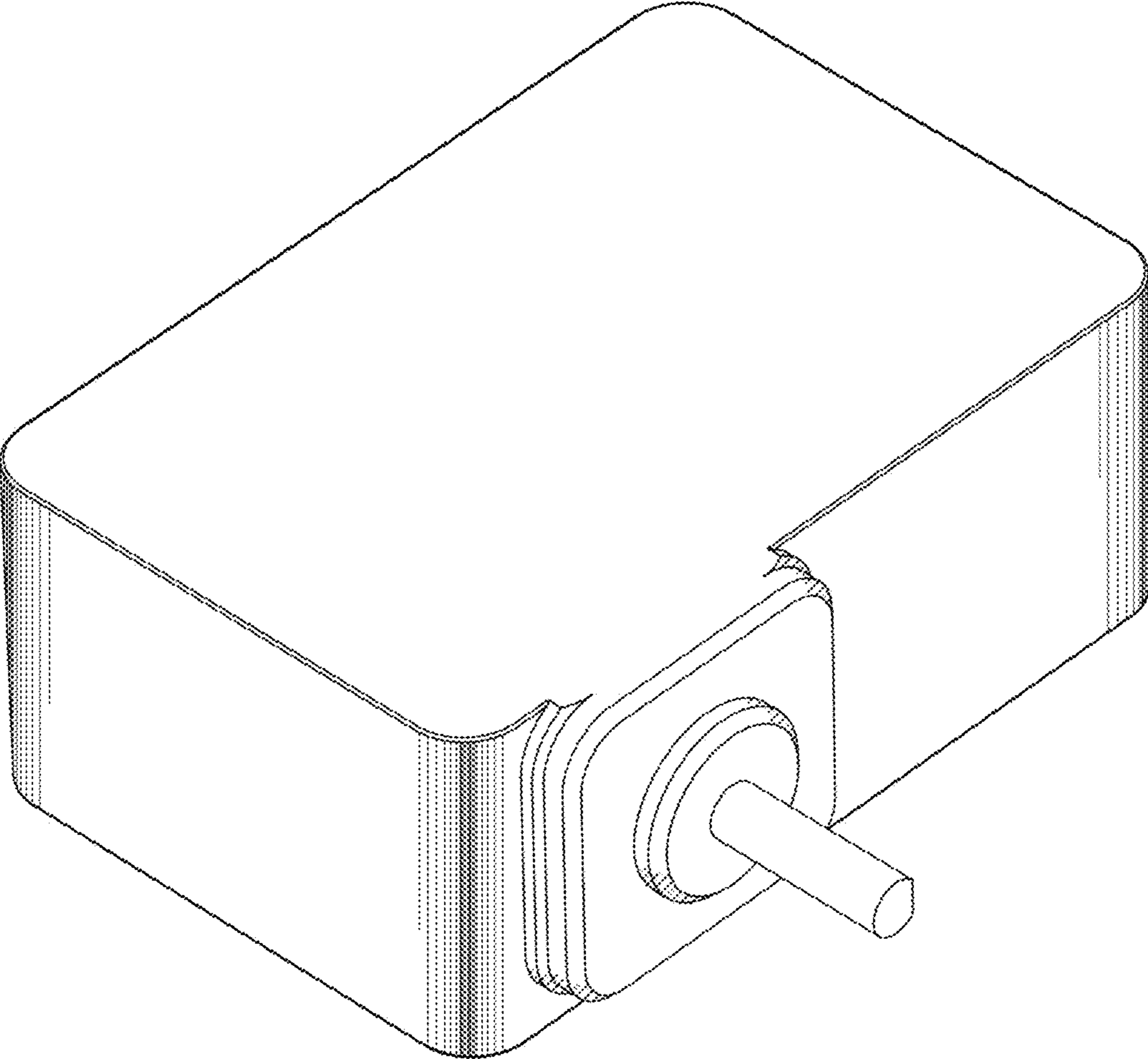


FIG. 2

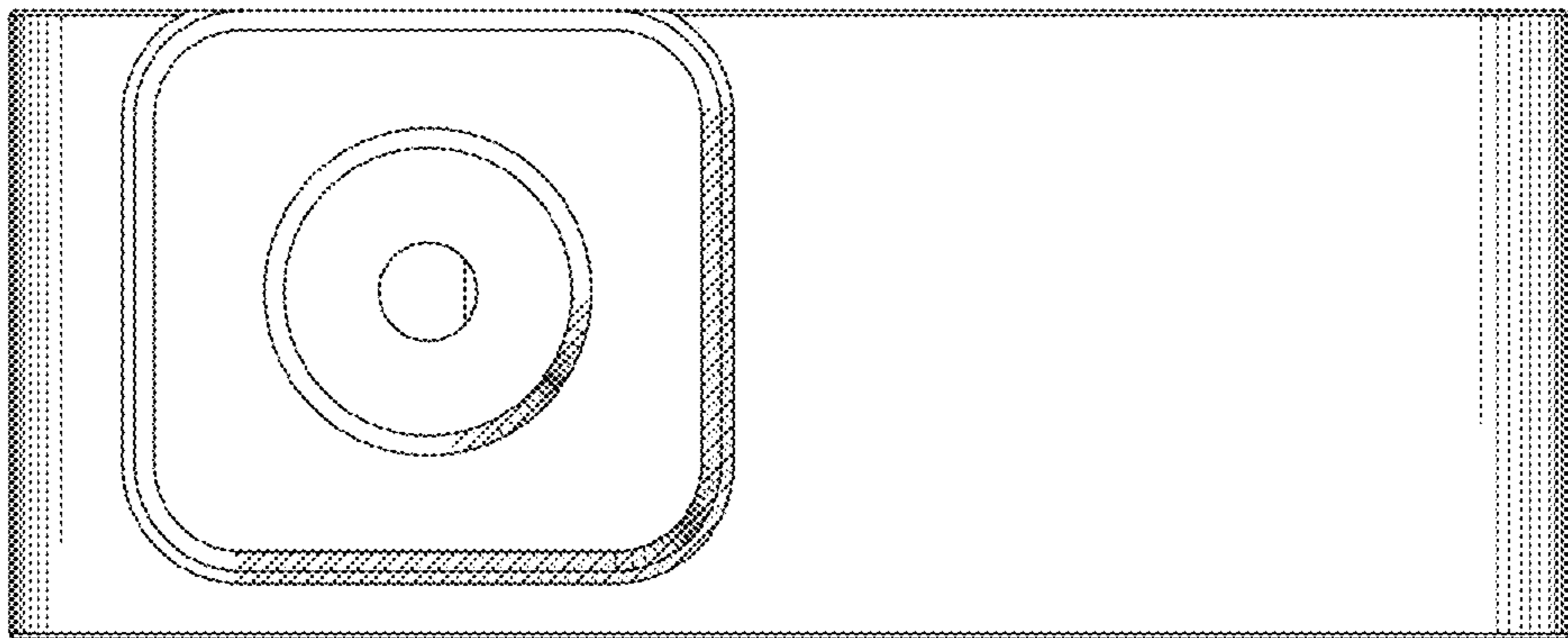


FIG. 3

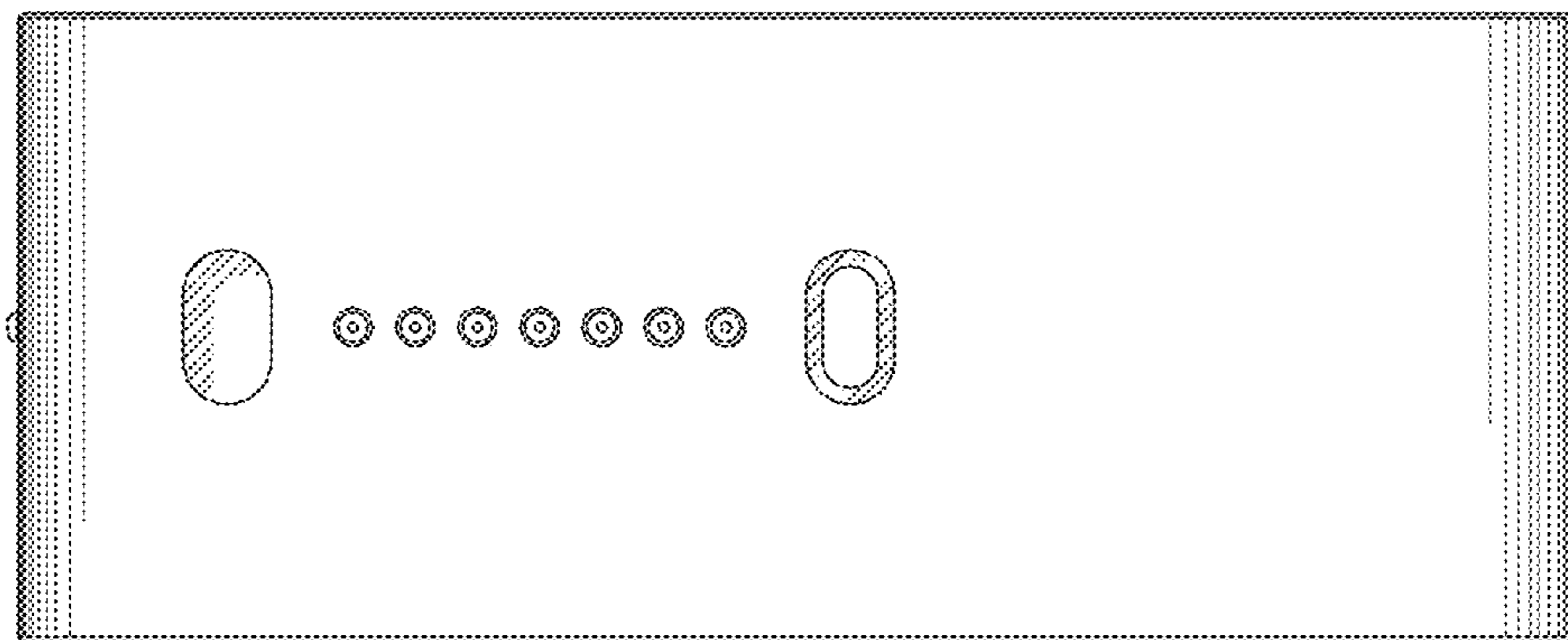


FIG. 4

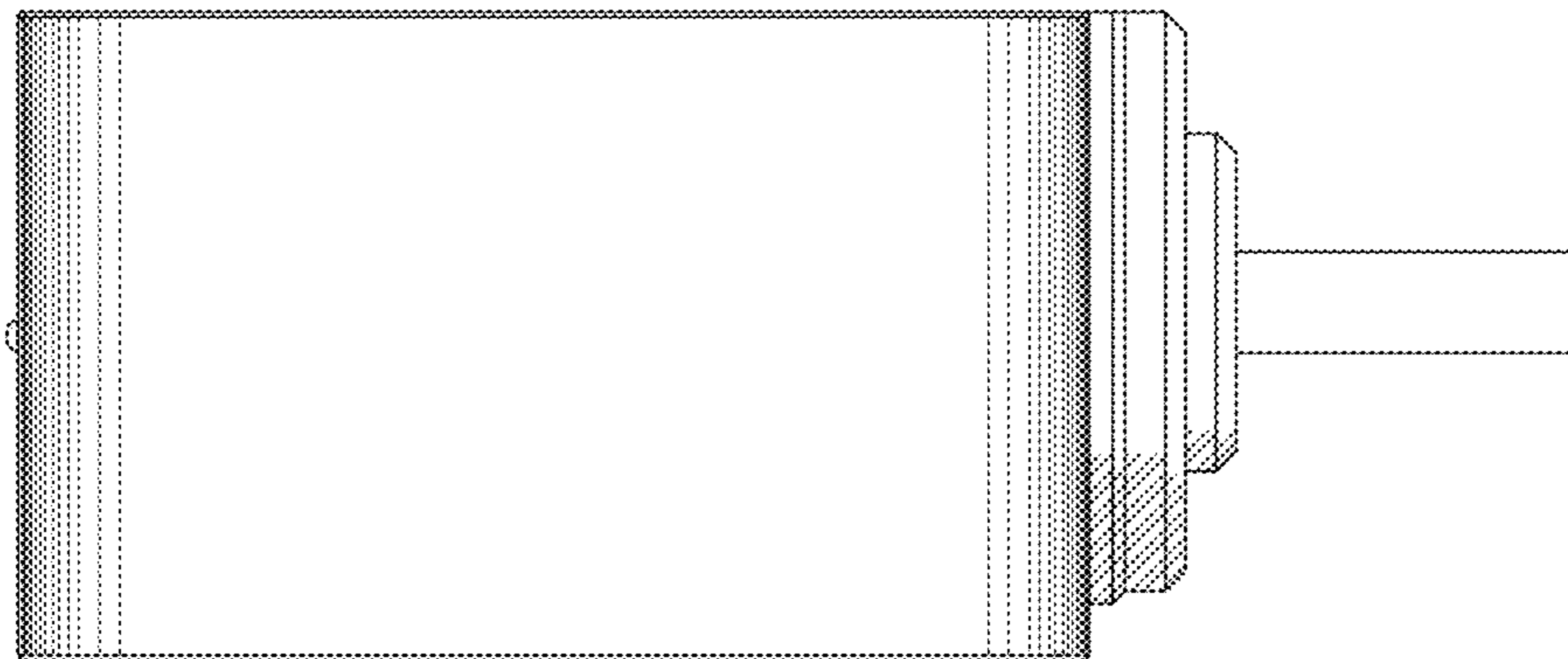




FIG. 5

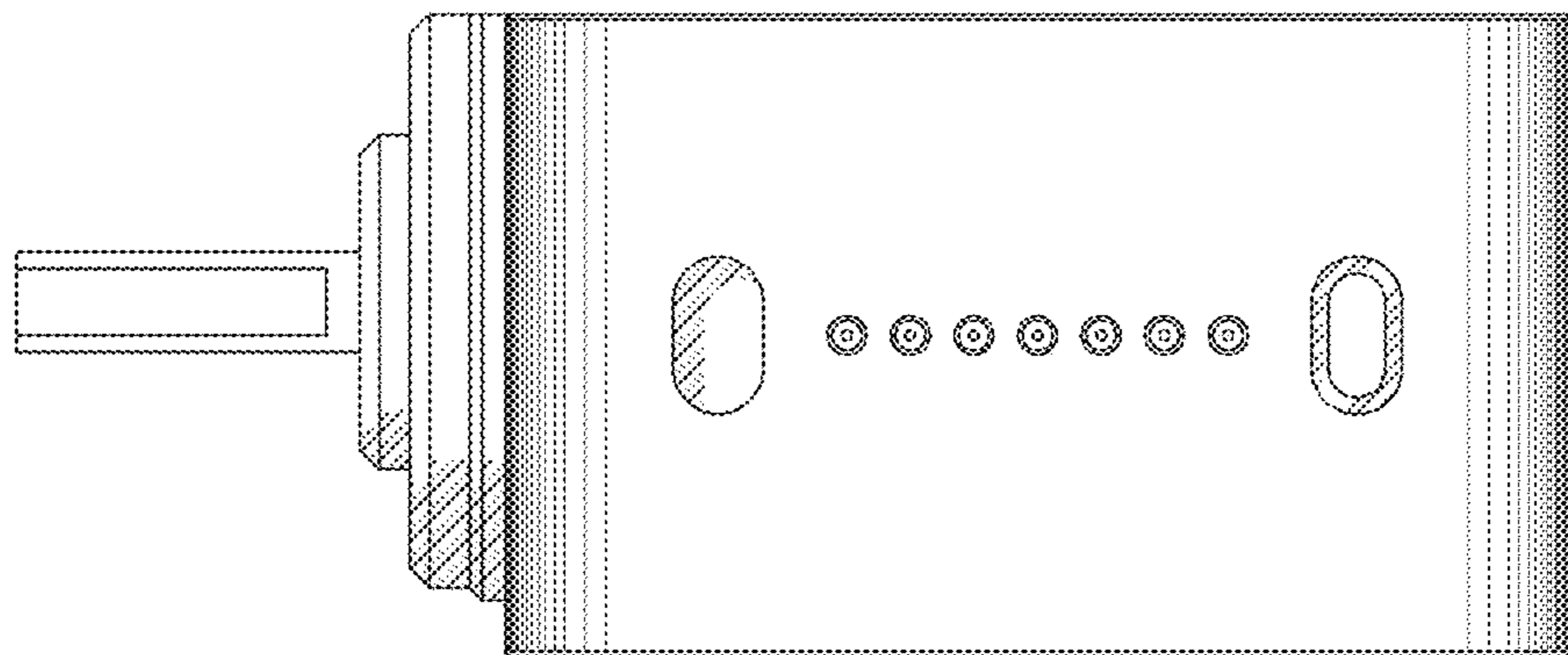


FIG. 6

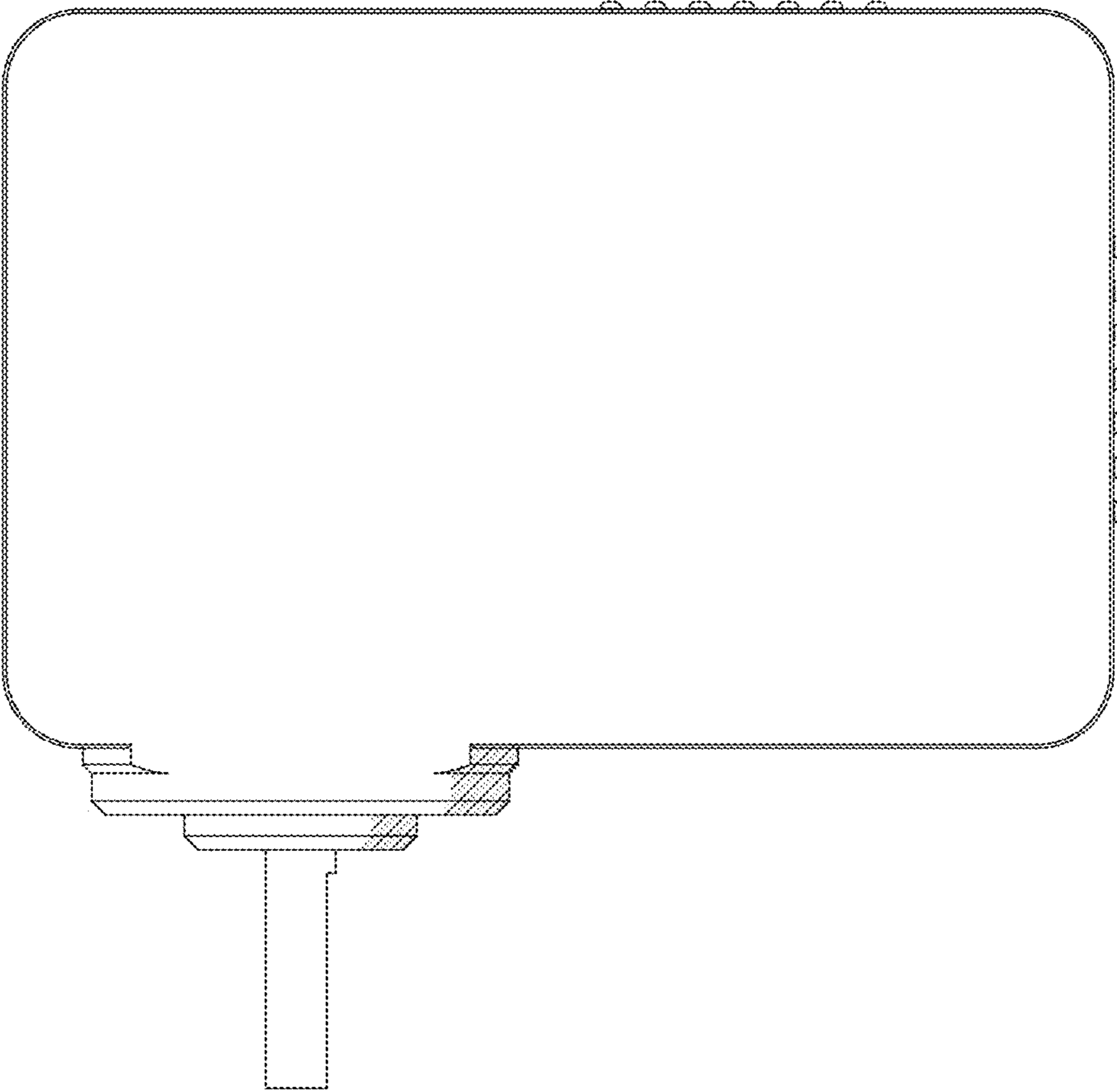


FIG. 7

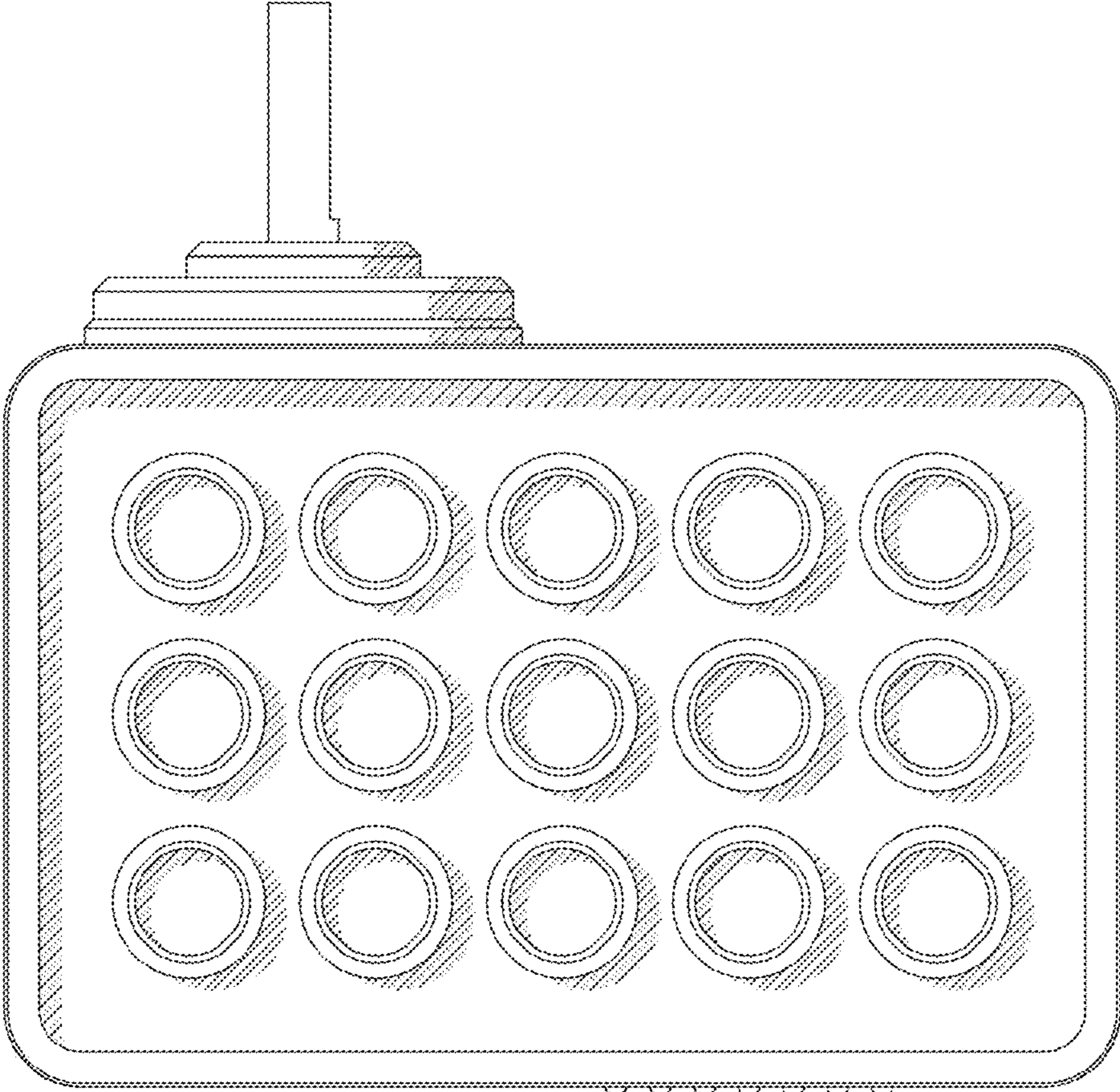




FIG. 8

