



US00D955988S

(12) **United States Design Patent** (10) **Patent No.:** **US D955,988 S**
Li (45) **Date of Patent:** **** Jun. 28, 2022**

(54) **HYDROGEN GENERATOR**

D901,620 S * 11/2020 Casey D23/207
D930,893 S * 9/2021 Powell D27/162
D937,966 S * 12/2021 Rastelli D23/200

(71) Applicant: **Guangzhou Jeudao Household Electric Appliance Co., Ltd.**,
Guangdong (CN)

OTHER PUBLICATIONS

(72) Inventor: **Changshan Li**, Guangdong (CN)

Generators. (Design—© Questel) orbit.com. [Online PDF compilation of references] 50 pgs. Print Dates Range Sep. 13, 2021-Aug. 20, 2021 [Retrieved Feb. 18, 2022].*

(73) Assignee: **Guangzhou Jeudao Household Electric Appliance Co., Ltd.**,
Guangdong (CN)

Athena Automatic Hydrogen Generator. Aug. 1, 2018. Indiamart. <https://www.indiamart.com/proddetail/hydrogen-generator-8217654688.html>.*

(**) Term: **15 Years**

Baoshishan Hydrogen Gas Generator. Nov. 14, 2015. Amazon. https://www.amazon.com/dp/B07DWT4PQN/ref=sspa_dk_detail_3?spLa=ZW5jcmlwdGVkUXVhbGlmaWVyPUEzRURUTTQ2RDNSMFkyJmVuY3J5cHRIZEikPUEwMDU2OTY0MIRFMjlsUEk2M1ZKOSZlbnNyeXB0ZWRBZEikPUEwNDMxODUxNzAyWFewNINTMURZJndpZGdlE5hbWU9c3BfZGV0YWIsMiZhY3Rpb24yY2xpY2tS.*

(21) Appl. No.: **29/757,301**

2021 High Purity Hydrogen Inhaler Portable Hydrogen. 2021. Global Sources. <https://www.globalsources.com/Physical-therapy/Hydrogen-Inhaler-1184365031p.htm>.*

(22) Filed: **Nov. 5, 2020**

(30) **Foreign Application Priority Data**

Jun. 2, 2020 (CN) 202030269247.X

* cited by examiner

(51) **LOC (13) Cl.** **13-01**

Primary Examiner — Manpreet S Matharu

(52) **U.S. Cl.**

Assistant Examiner — Suzanne E Tisdell

USPC **D13/112**

(58) **Field of Classification Search**

(74) *Attorney, Agent, or Firm* — JCIP Global Inc.

USPC D13/103, 107, 108, 110, 118, 119, 123,
D13/133, 137.1, 184, 199; D14/433

CPC H02J 7/00; H02J 7/0042; H02J 13/0096;
H01M 10/46; H02M 1/10

See application file for complete search history.

(57) **CLAIM**

The ornamental design for a hydrogen generator, as shown and described.

(56) **References Cited**

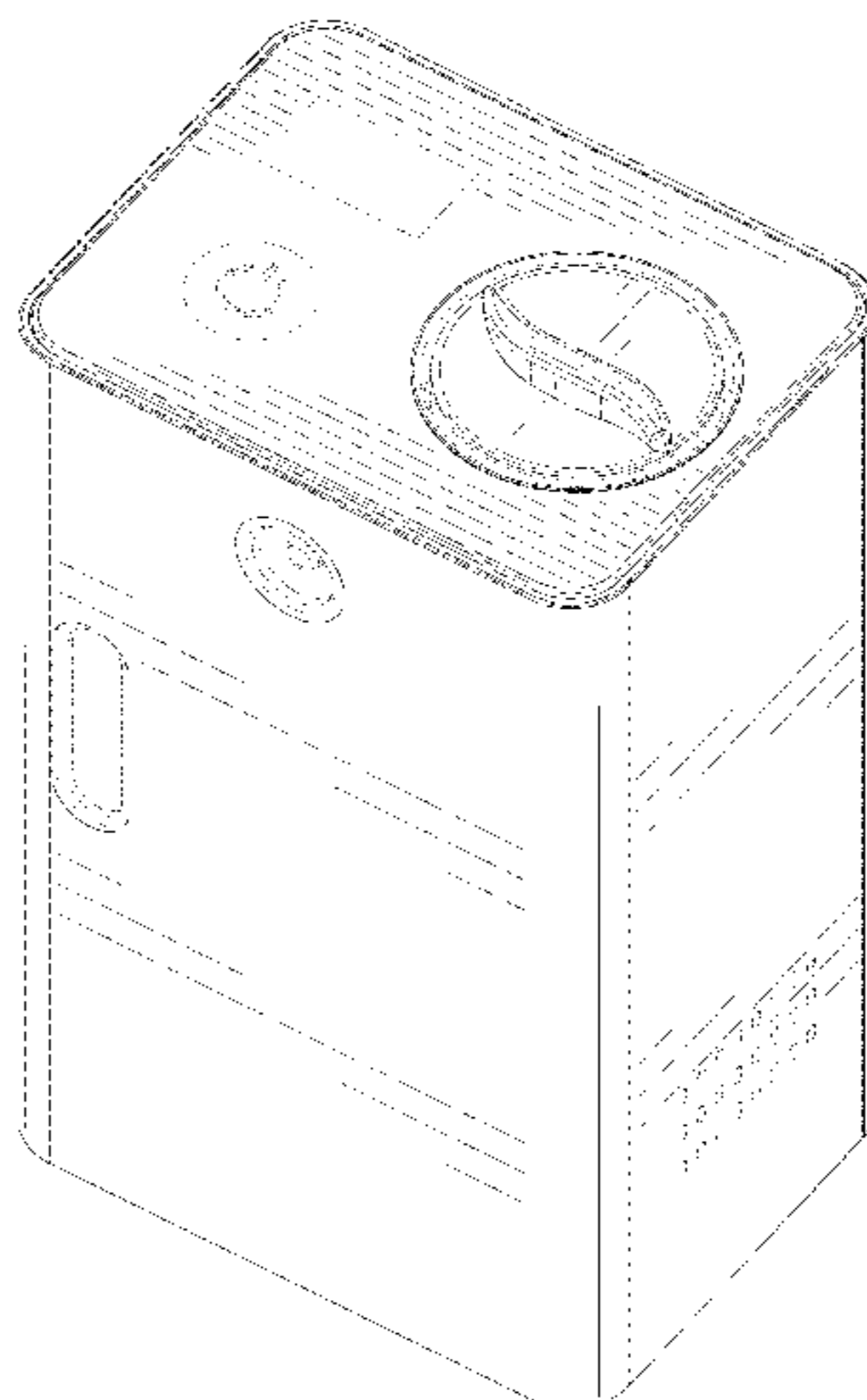
DESCRIPTION

U.S. PATENT DOCUMENTS

D775,734 S * 1/2017 Hrenchir D24/170
D777,668 S * 1/2017 Lin D13/112
D797,047 S * 9/2017 Ohno D13/122
D806,029 S * 12/2017 Lin D13/112
D837,735 S * 1/2019 Marcille D13/122
D856,930 S * 8/2019 Huang D13/116
D866,062 S * 11/2019 Norris D27/163
D872,017 S * 1/2020 Huang D13/110
D887,005 S * 6/2020 Lin D24/164
D887,982 S * 6/2020 Schmidt D13/122

FIG. 1 is a perspective view of a hydrogen generator showing my new design;
FIG. 2 is a front view thereof;
FIG. 3 is a rear view thereof;
FIG. 4 is a left side view thereof;
FIG. 5 is a right side view thereof;
FIG. 6 is a top view thereof; and,
FIG. 7 is a bottom view thereof.

(Continued)



The broken line portions of the hydrogen generator in FIGS. 1-7 represent unclaimed portions of the claimed design and form no part thereof.

1 Claim, 6 Drawing Sheets

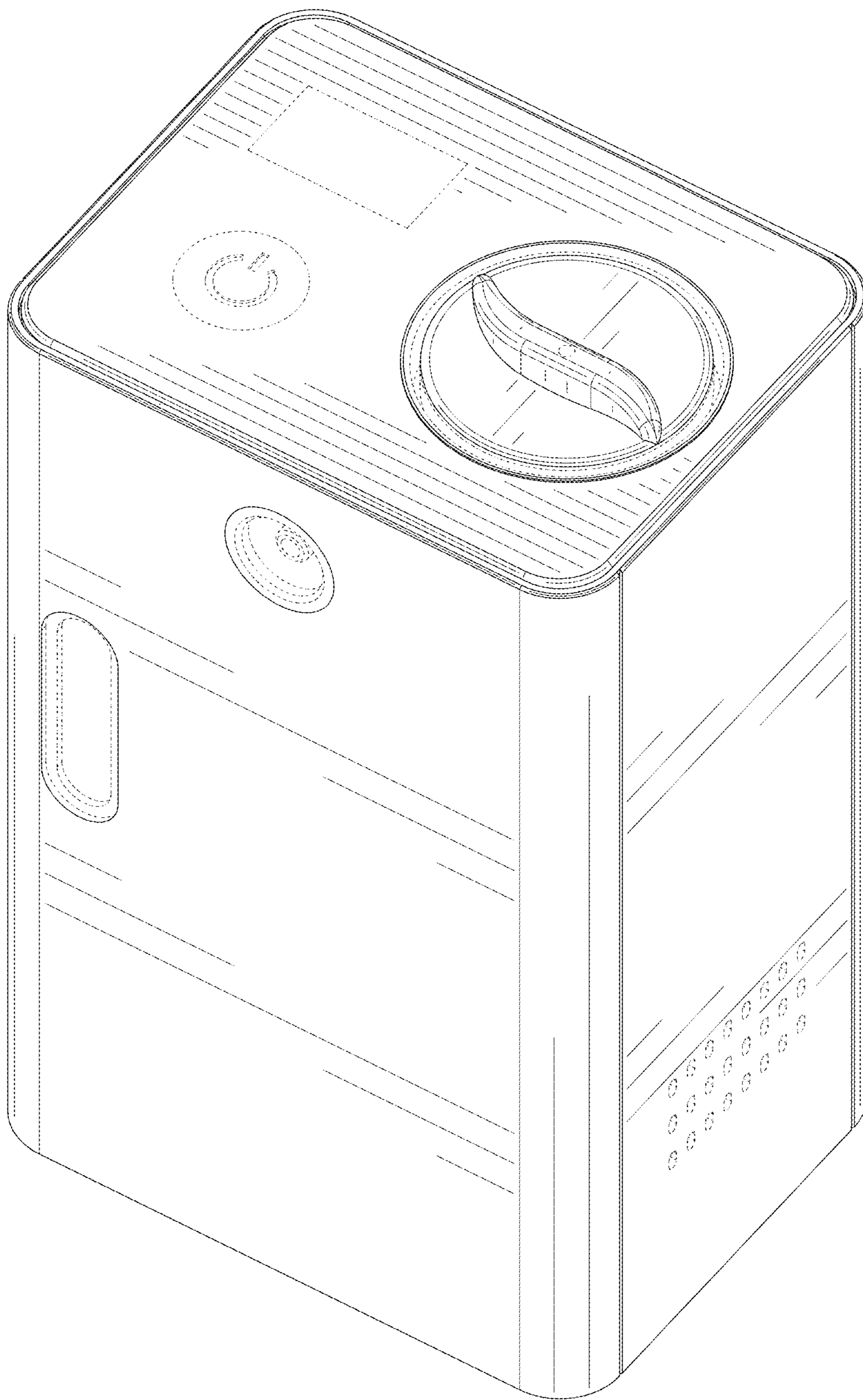


FIG. 1

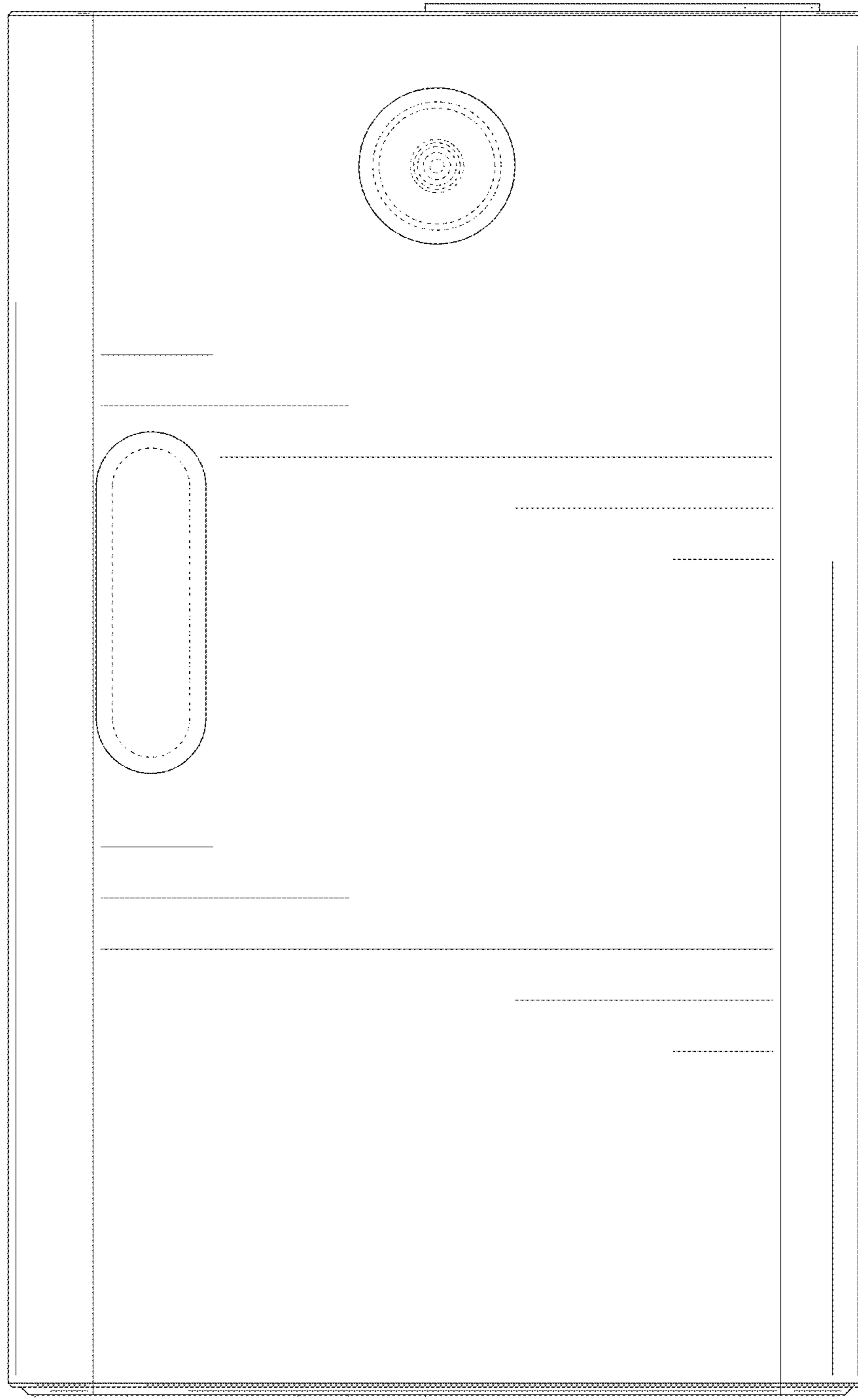


FIG. 2

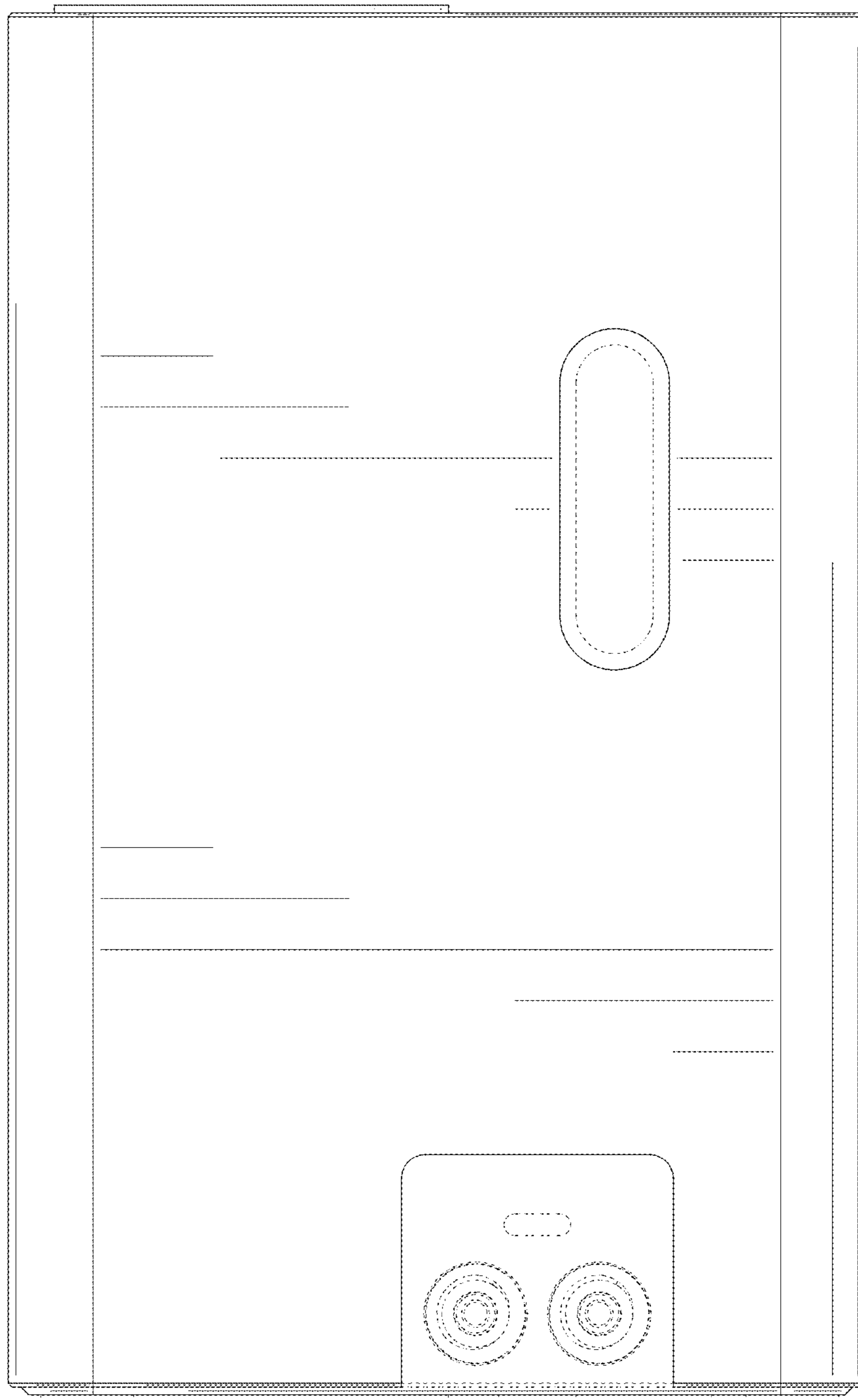


FIG. 3

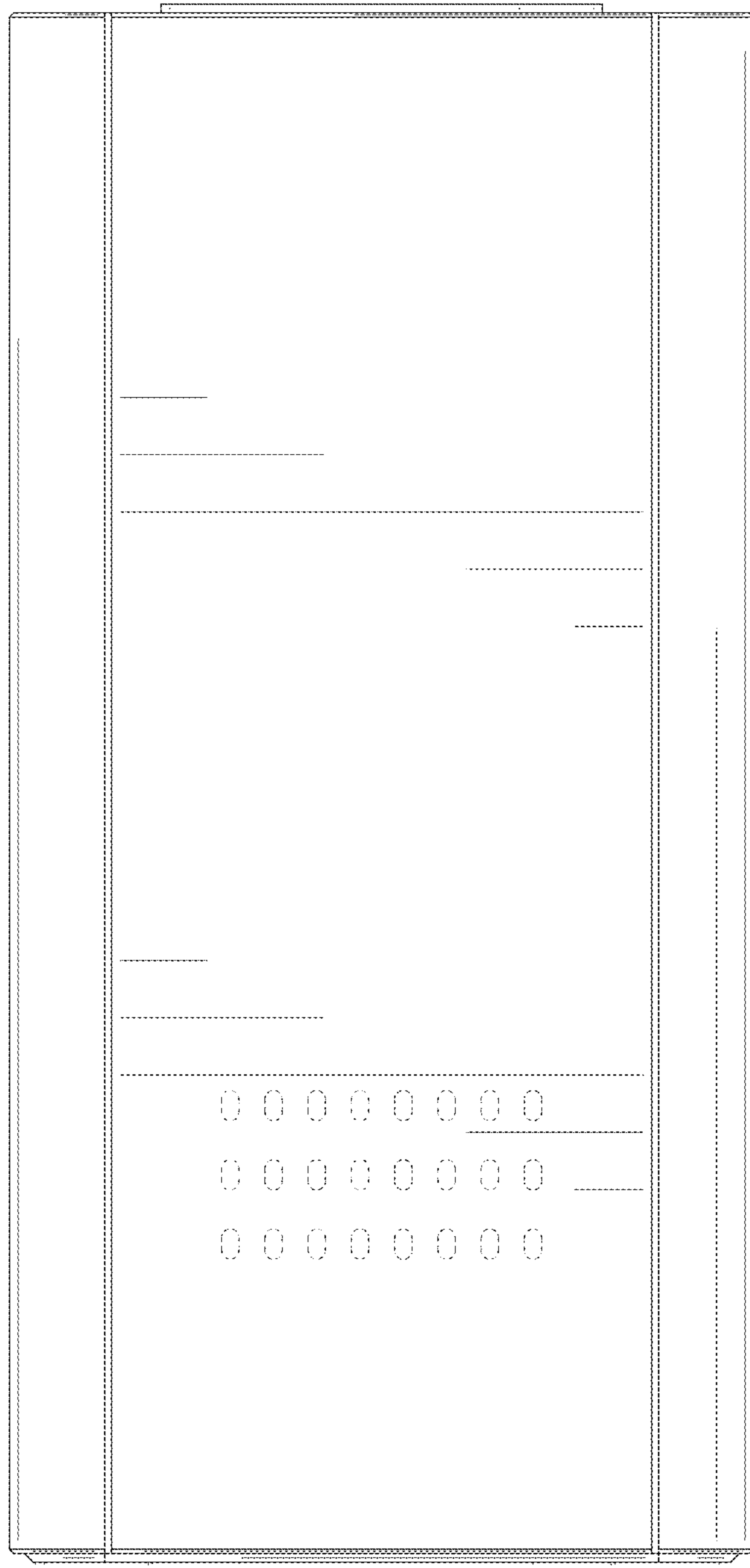


FIG. 4

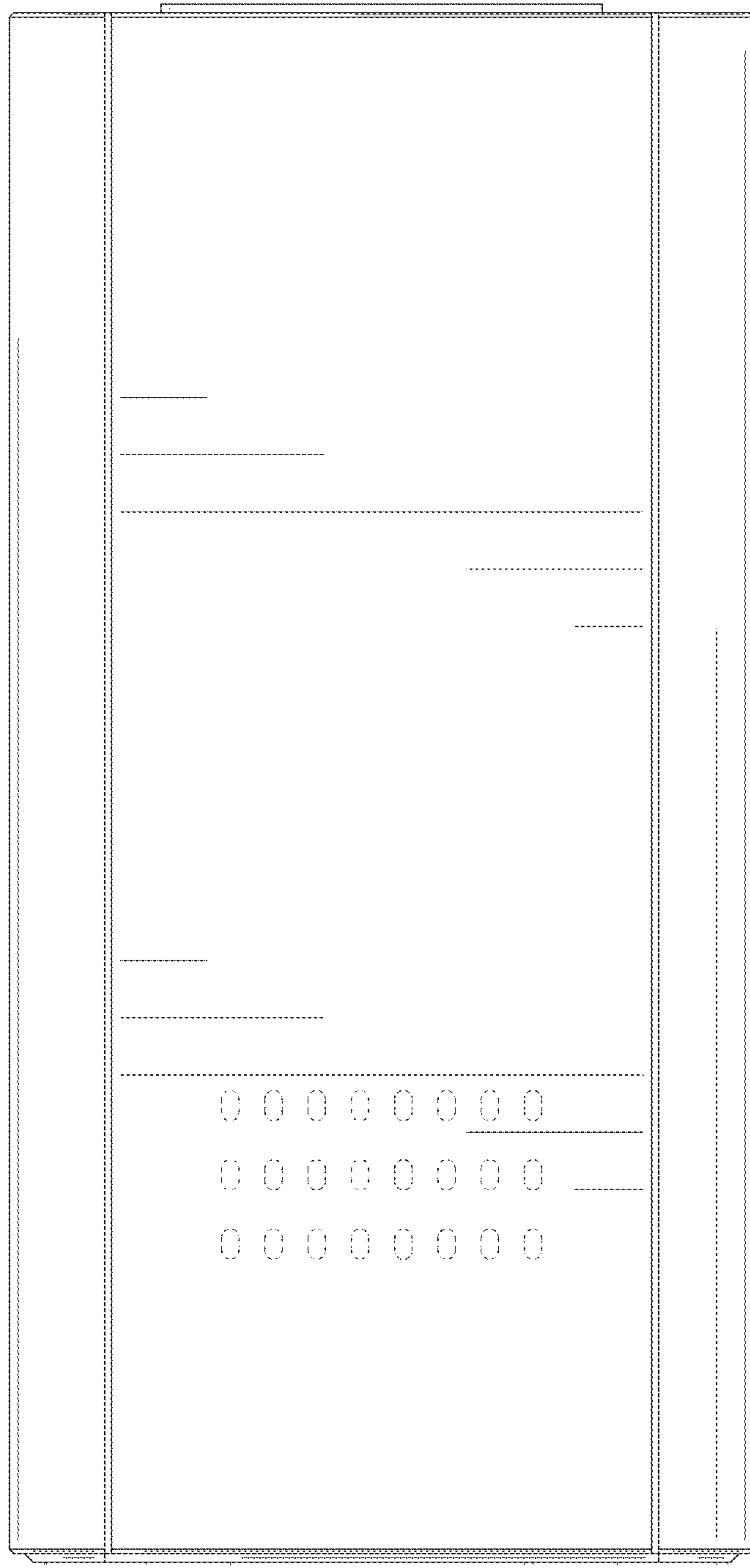


FIG. 5

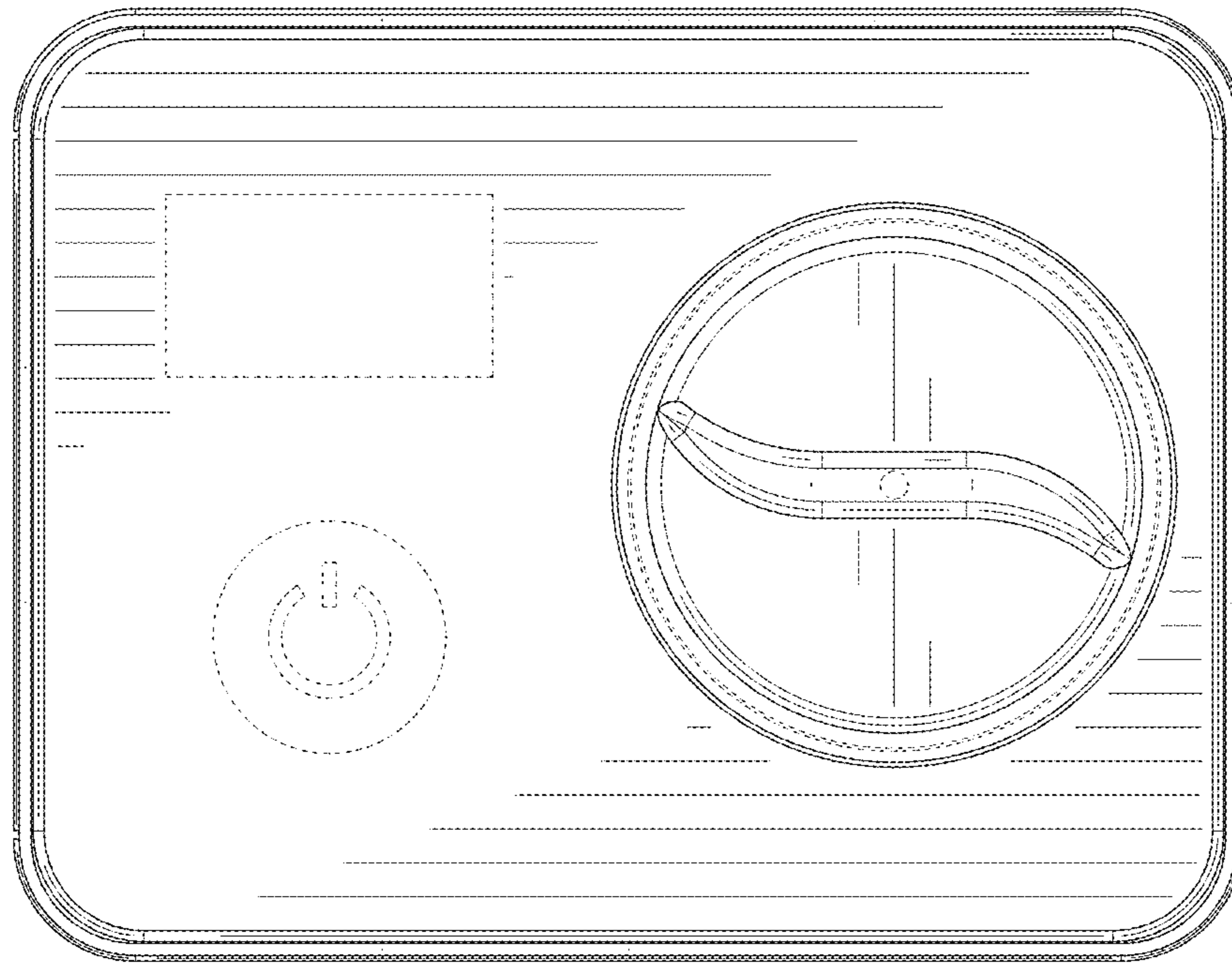


FIG. 6

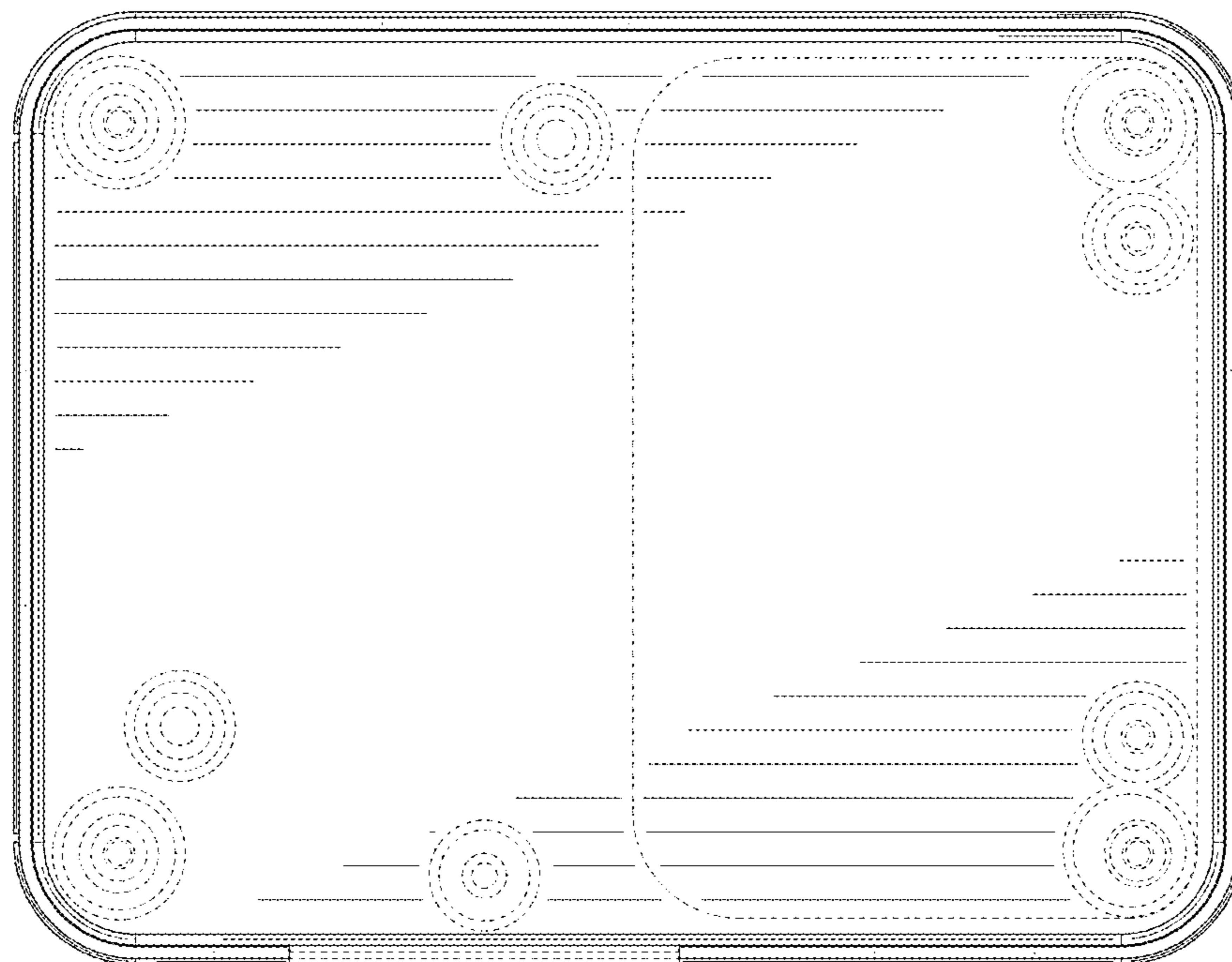


FIG. 7