



US00D955984S

(12) **United States Design Patent**
Chen

(10) **Patent No.:** **US D955,984 S**

(45) **Date of Patent:** **** Jun. 28, 2022**

(54) **USB CHARGER**

(71) Applicant: **Wenbin Chen**, Nanchong (CN)

(72) Inventor: **Wenbin Chen**, Nanchong (CN)

(**) Term: **15 Years**

(21) Appl. No.: **29/740,418**

(22) Filed: **Jul. 3, 2020**

(51) **LOC (13) Cl.** **13-02**

(52) **U.S. Cl.**
USPC **D13/108**

(58) **Field of Classification Search**
USPC D13/107-110, 118, 119, 184, 199, 151,
D13/153, 154, 155, 144, 133, 147;
D14/433

CPC Y02E 60/12; H02J 7/025; H02J 7/0042;
H02J 7/0044; H02J 7/0045; H02J 7/0003;
H02J 7/0027; H02J 7/0013; H02J 7/0054;
H02J 7/00; H02J 2001/008; H02J 3/32;
H02J 3/008; H01F 38/14; H01R 13/6675;
H01R 31/065; H01R 31/00; H01R 31/06;
H01M 2/1022; H01M 2/1055; H01M
10/44; H01M 10/46; H01M 10/425; B60L
11/182; B60L 11/1809; B60L 11/1861;
B60R 16/03

See application file for complete search history.

(56) **References Cited**

U.S. PATENT DOCUMENTS

D629,355 S * 12/2010 Bodley D13/108
D756,915 S * 5/2016 Yang D13/108
D756,916 S * 5/2016 Yang D13/108

D790,458 S * 6/2017 He D13/108
D799,423 S * 10/2017 Eliyahu D13/108
D864,112 S * 10/2019 Chen D13/110
D892,735 S * 8/2020 Zhang D13/108
D900,110 S * 10/2020 Wu D14/433
D905,629 S * 12/2020 Sadot D13/108
D909,966 S * 2/2021 Liao D13/108
D911,275 S * 2/2021 Chen D13/108
D912,621 S * 3/2021 Qiu D13/108
D917,388 S * 4/2021 Bonilla D13/108
D920,906 S * 6/2021 Qiu D13/107
D922,945 S * 6/2021 Sun D13/103
D923,564 S * 6/2021 Liao D13/103
D931,201 S * 9/2021 Xu D13/110
D936,001 S * 11/2021 Tyson D13/184

* cited by examiner

Primary Examiner — Christy Nemeth

(57) **CLAIM**

The ornamental design for a USB charger, as shown and described.

DESCRIPTION

FIG. 1 is a front and top perspective view of a USB charger, showing my new design;

FIG. 2 is a rear and bottom perspective view thereof;

FIG. 3 is a front elevational view thereof;

FIG. 4 is a rear elevational view thereof;

FIG. 5 is a left side elevational view thereof;

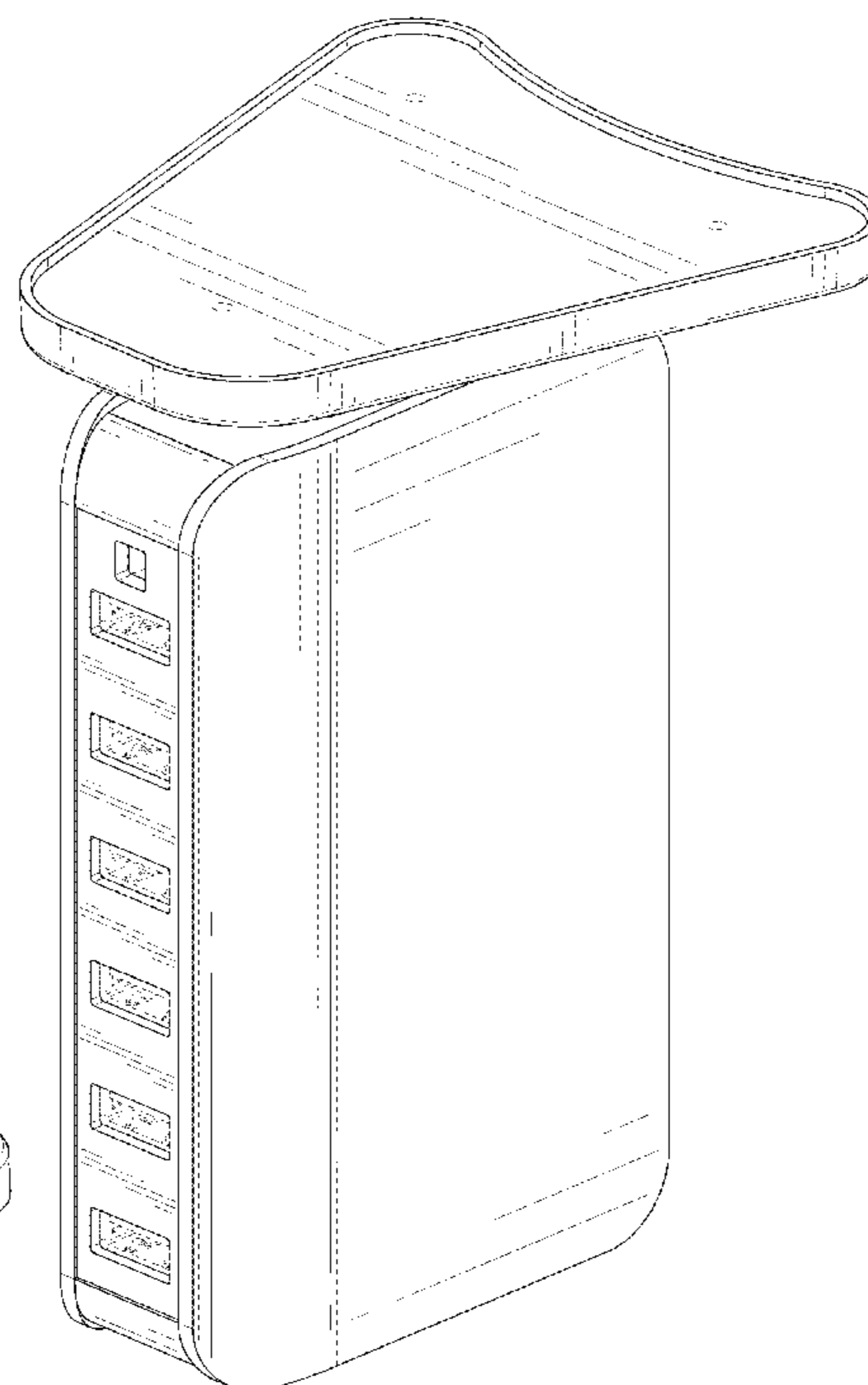
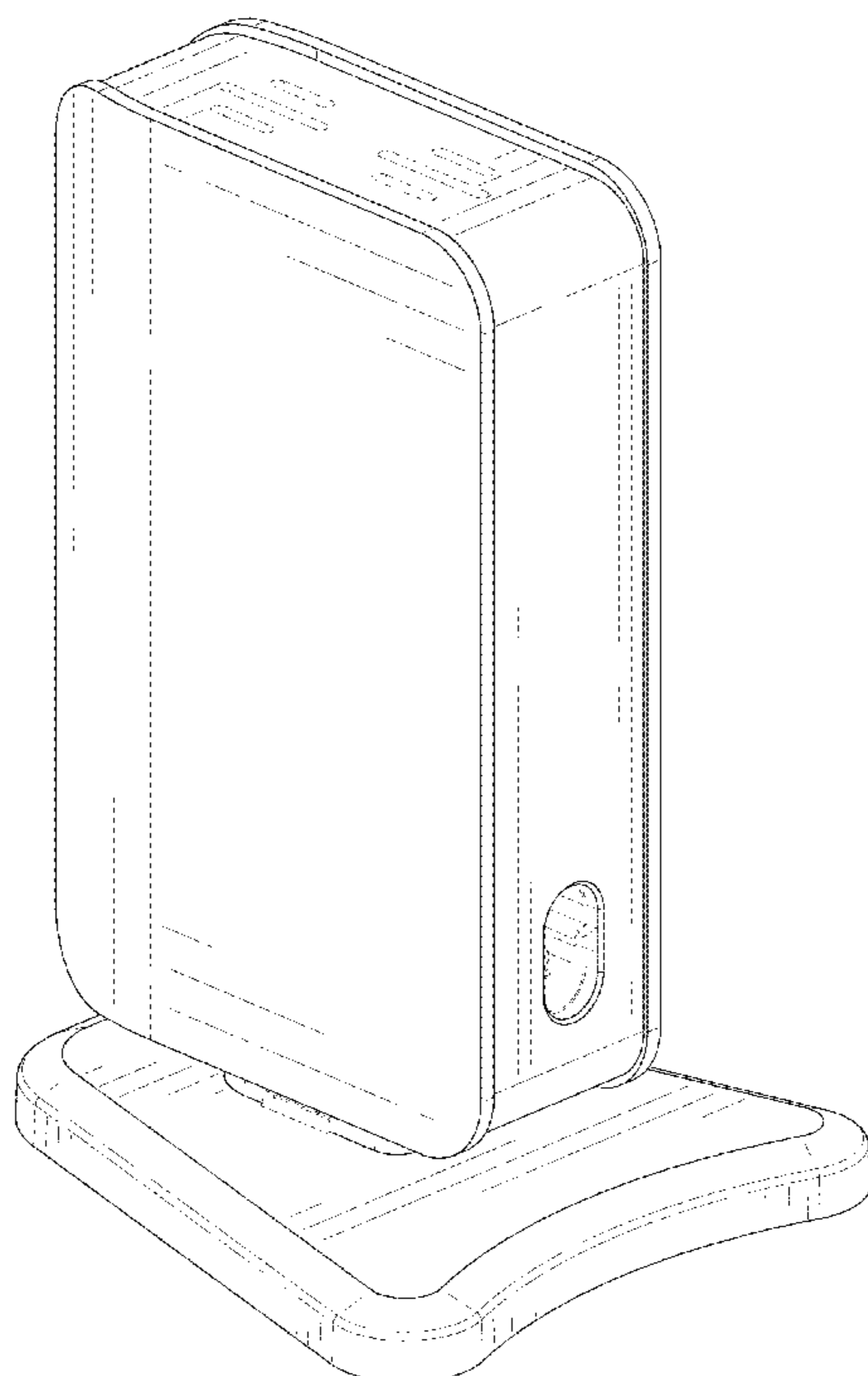
FIG. 6 is a right side elevational view thereof;

FIG. 7 is a top plan view thereof; and,

FIG. 8 is a bottom plan view thereof.

The broken lines in the figures illustrate portions of the article that form no part of the claimed design.

1 Claim, 8 Drawing Sheets



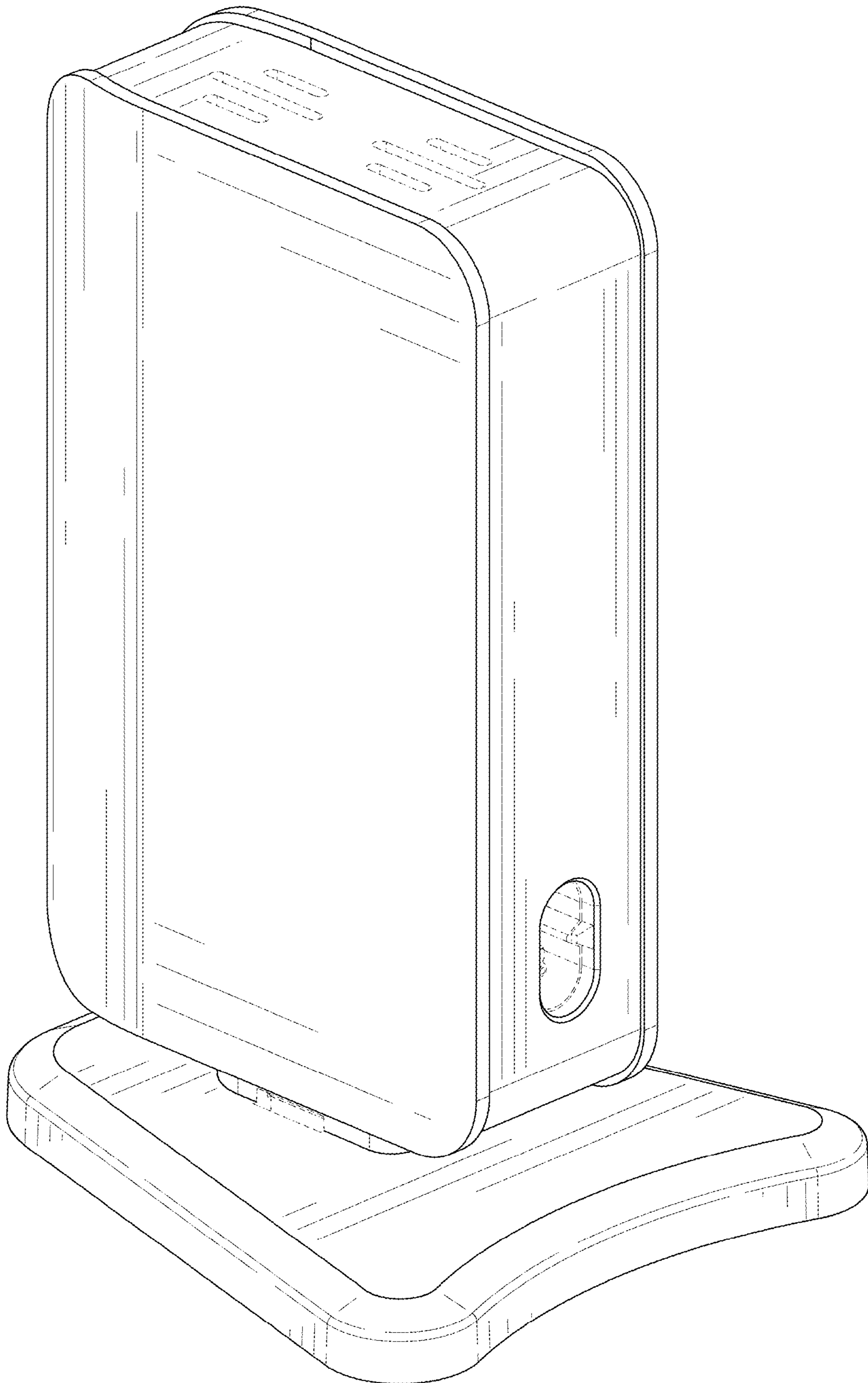


FIG. 1

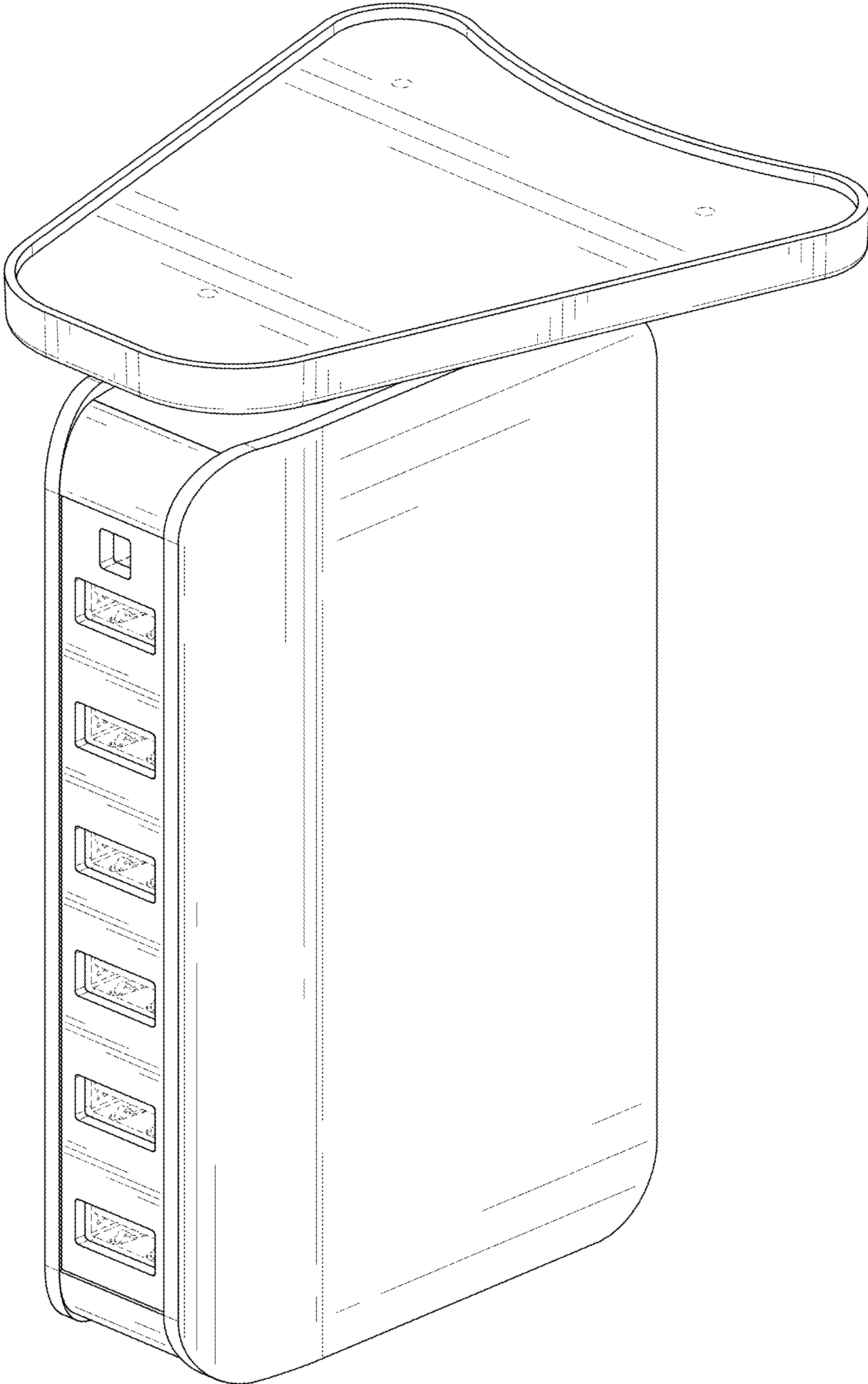


FIG. 2

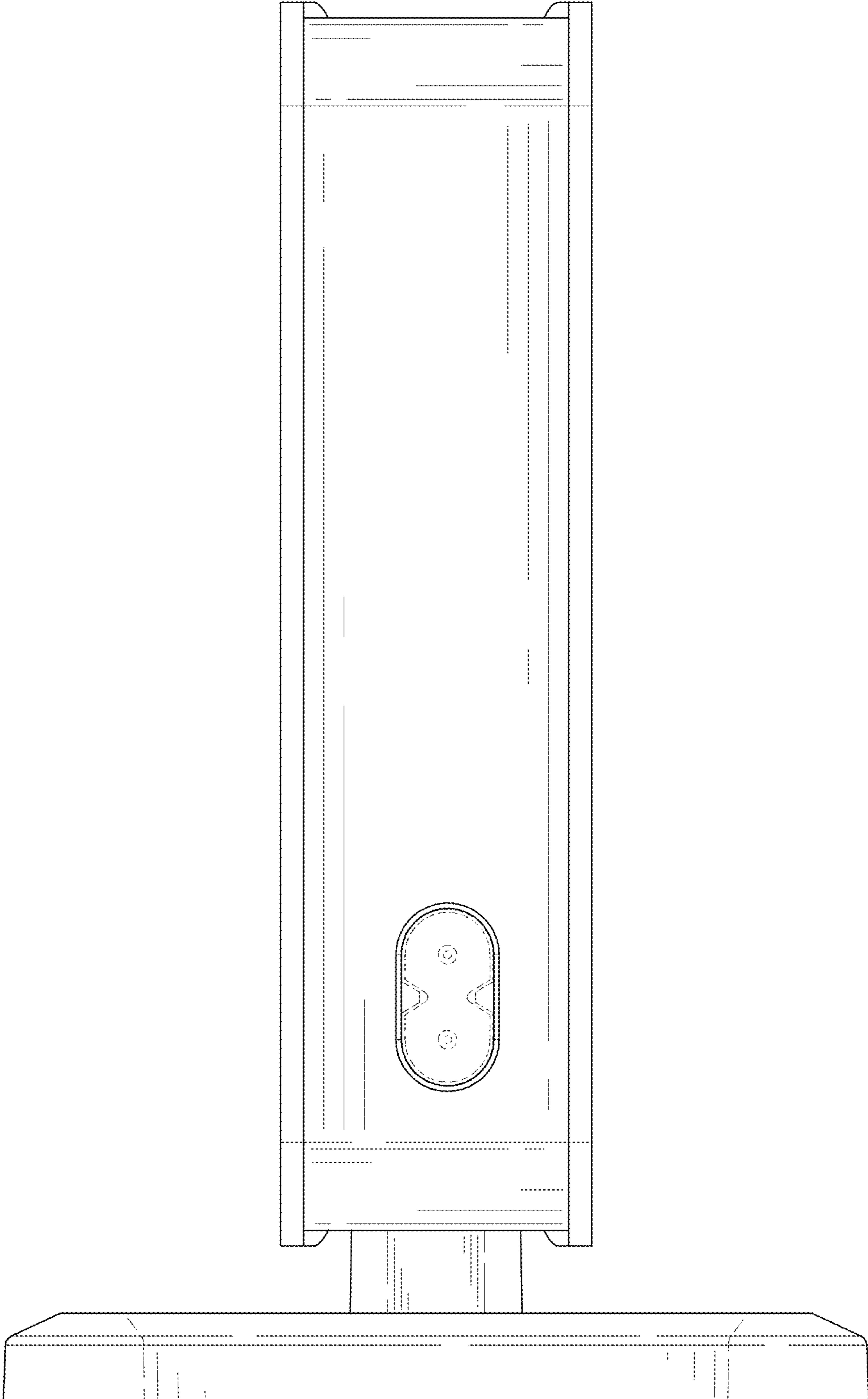


FIG. 3

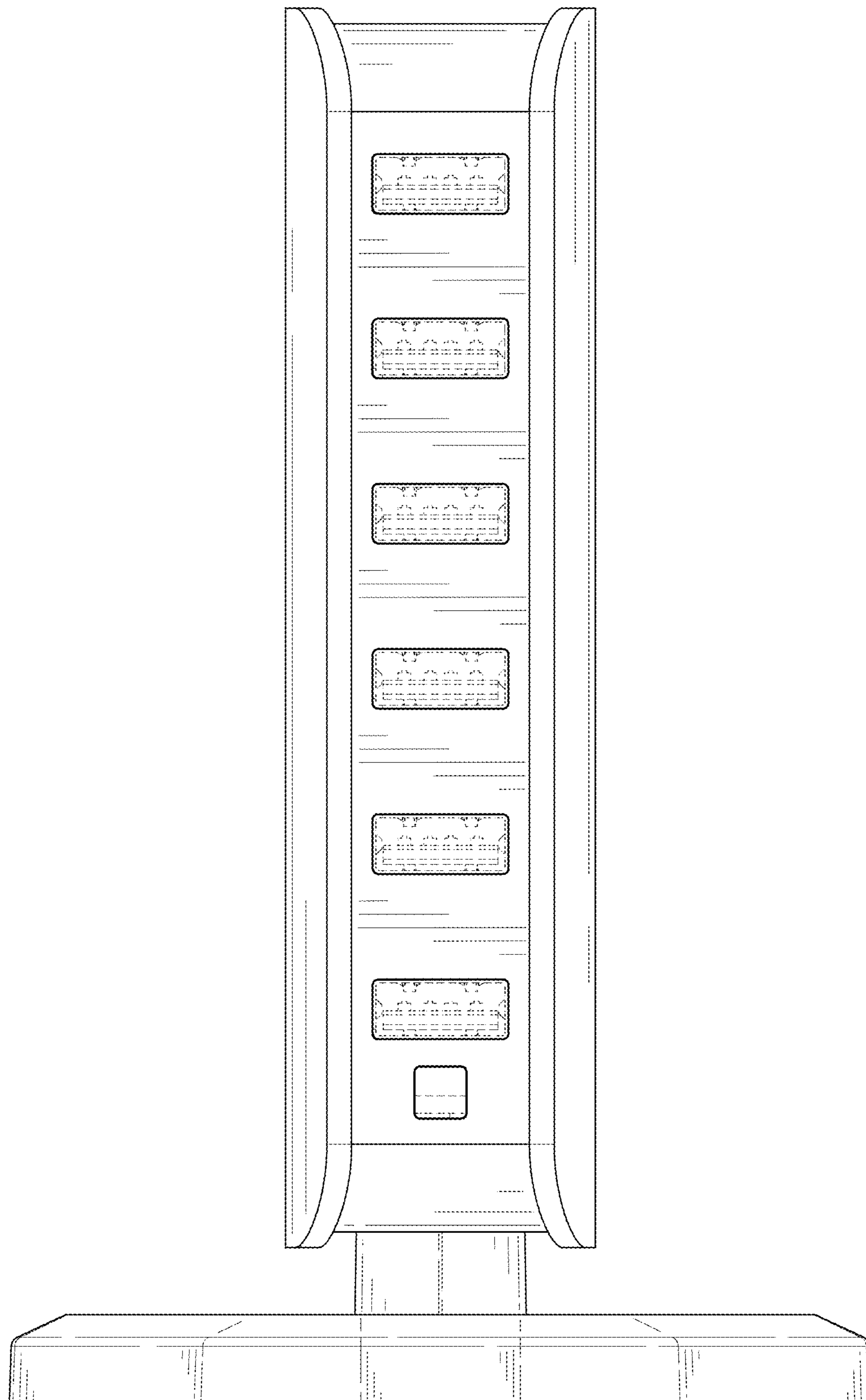


FIG. 4

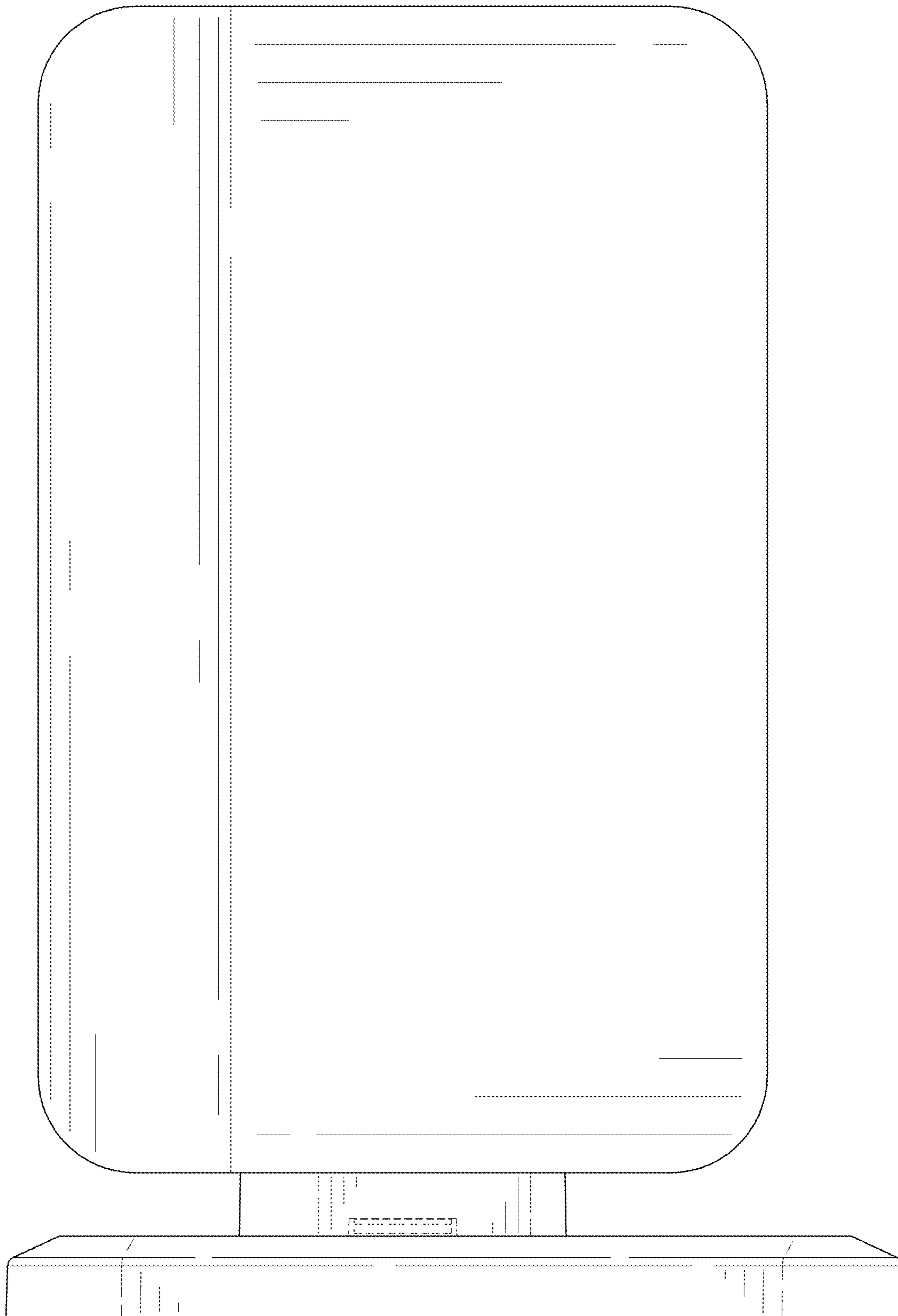


FIG. 5

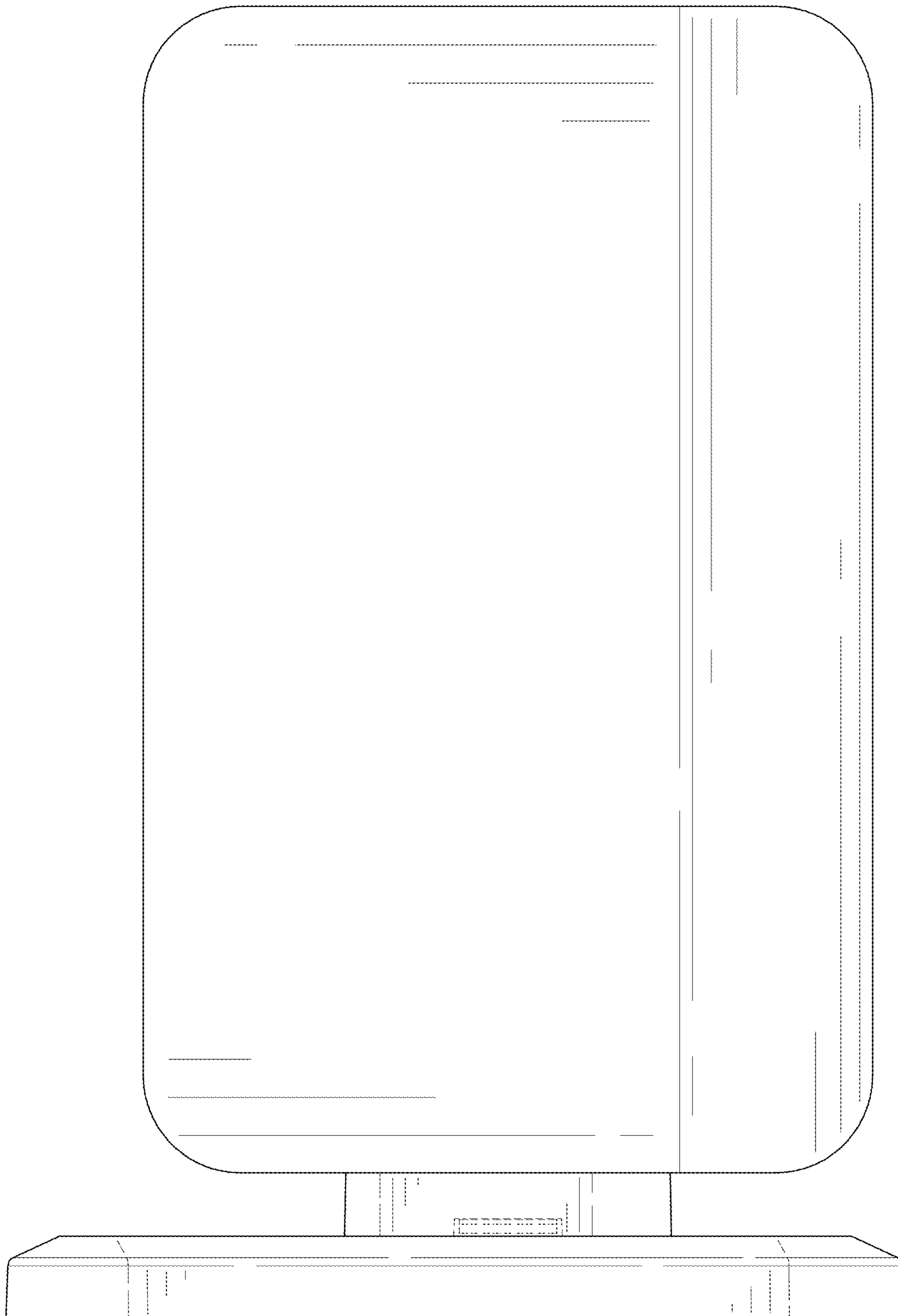


FIG. 6

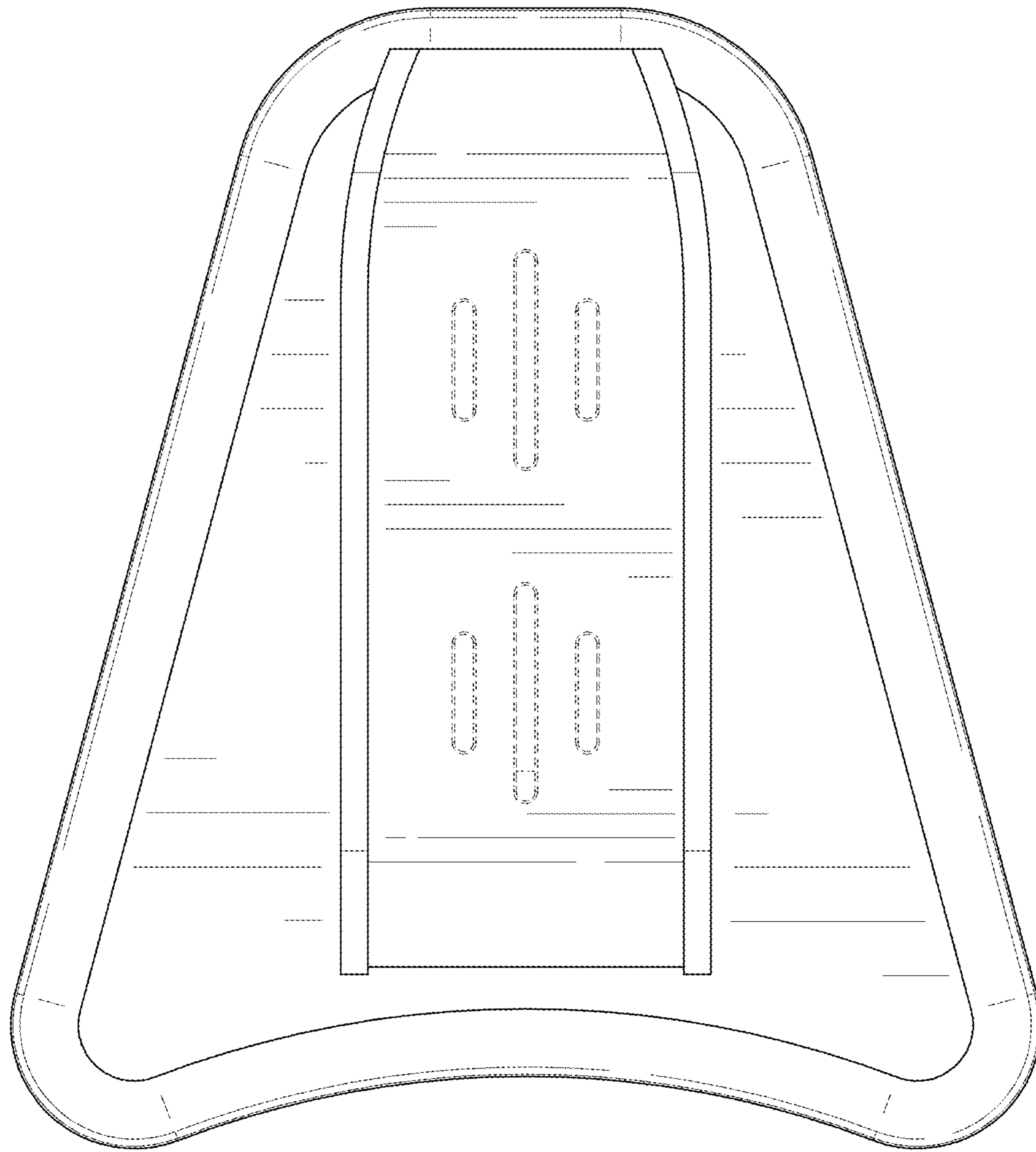


FIG. 7

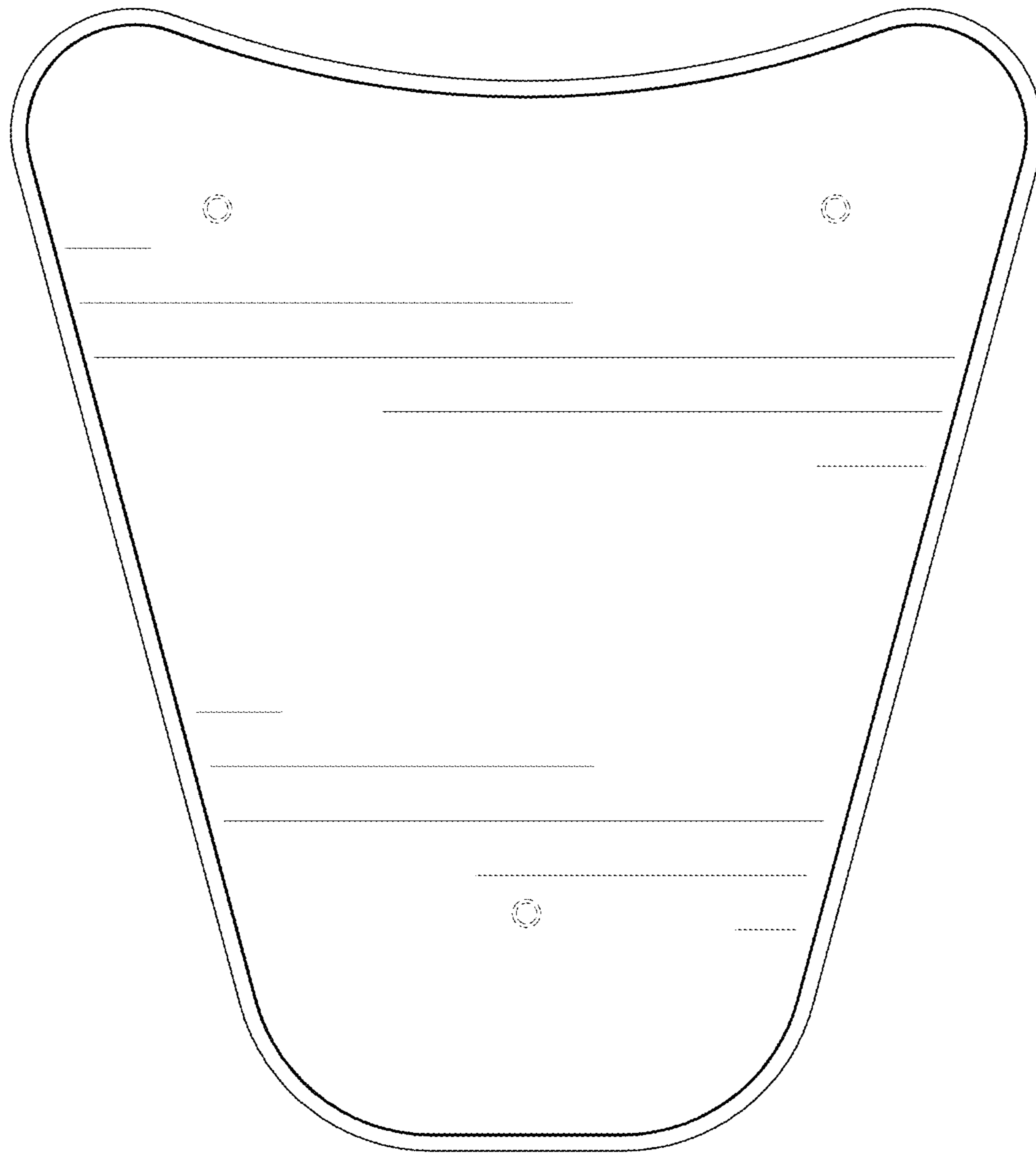


FIG. 8