



US00D955982S

(12) **United States Design Patent** (10) **Patent No.:** **US D955,982 S**
Reimann et al. (45) **Date of Patent:** **** Jun. 28, 2022**

(54) **CHARGING CASE FOR WIRELESS
EARBUDS**

FOREIGN PATENT DOCUMENTS

(71) Applicant: **Google LLC**, Mountain View, CA (US)

CN 305089686 S 4/2019
CN 305299378 S 8/2019

(Continued)

(72) Inventors: **Gina Reimann**, Los Gatos, CA (US);
Luke David Mastrangelo, San Francisco, CA (US); **Maj Isabelle Olsson**, Sunnyvale, CA (US); **Idil Girard**, Santa Clara, CA (US); **Peter Michael Cazalet**, Los Gatos, CA (US); **Benjamin Caleb Carroll**, San Francisco, CA (US); **Shameem Hameed**, San Jose, CA (US); **Sandeep Singh Waraich**, Mountain View, CA (US)

OTHER PUBLICATIONS

“LaLa—Stone Headphone”. Found online Dec. 23, 2020 at behance.net. Reference dated May 25, 2018. Retrieved from <https://www.behance.net/gallery/66033095/Stone-headphone>. (Year: 2018).*

(Continued)

(73) Assignee: **GOOGLE LLC**, Mountain View, CA (US)

Primary Examiner — Kendra Leslie Hamilton
Assistant Examiner — Amanda Christensen
(74) *Attorney, Agent, or Firm* — Leason Ellis LLP

(**) Term: **15 Years**

(57) **CLAIM**

The ornamental design for a charging case for wireless earbuds, as shown and described.

(21) Appl. No.: **29/730,550**

(22) Filed: **Apr. 6, 2020**

DESCRIPTION

Related U.S. Application Data

(63) Continuation-in-part of application No. 29/709,192, filed on Oct. 11, 2019, now Pat. No. Des. 932,428.

(51) **LOC (13) Cl.** **13-02**

(52) **U.S. Cl.**
USPC **D13/108**; D3/294

(58) **Field of Classification Search**
USPC D13/103, 107, 108, 118, 119, 184;
D3/201, 208, 218, 273, 274, 294, 295,
(Continued)

This application is related to application Ser. No. 29/730,537, entitled Earbud Charging Case, which is concurrently filed herewith, and the disclosure of which is incorporated herein by reference This application is also related to application Ser. No. 29/709,173, entitled Wireless Earbud, and application Ser. No. 29/709,177, entitled Earbud Charging Case, both filed on Oct. 11, 2019, the disclosures all of which are incorporated herein by reference.

FIG. 1 is a top, front, right side perspective view of a charging case for wireless earbuds, showing our new design; FIG. 2 is a front elevation view thereof; FIG. 3 is a rear elevation view thereof; FIG. 4 is a left side elevation view thereof; FIG. 5 is a right side elevation view thereof; FIG. 6 is a top plan view thereof; and, FIG. 7 is a bottom plan view thereof.

The equal-length broken lines in the drawings depict portions of the charging case for wireless earbuds that form no

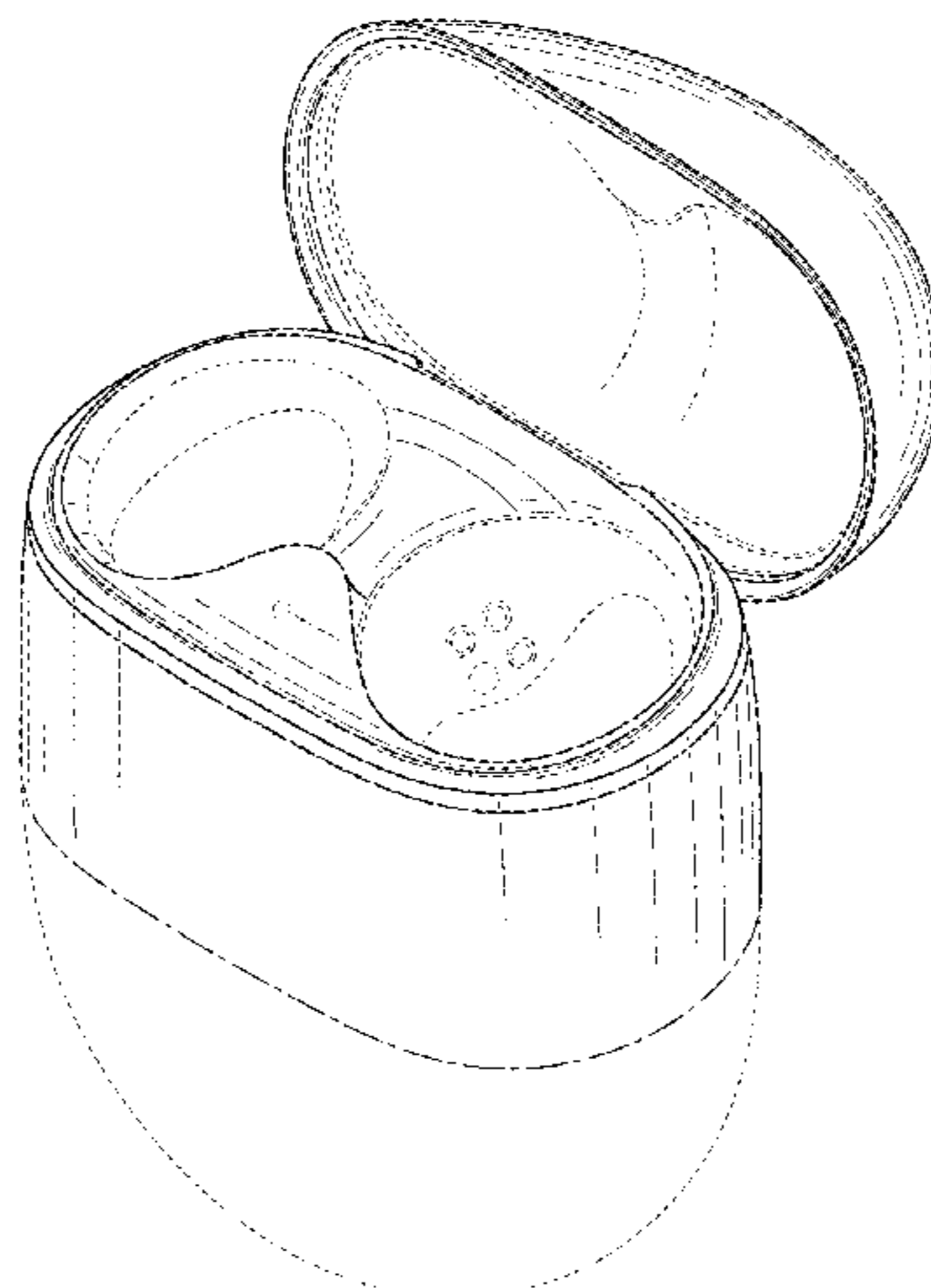
(Continued)

(56) **References Cited**

U.S. PATENT DOCUMENTS

D876,526 S * 2/2020 Fuller D16/237
D878,045 S * 3/2020 Akana D3/274

(Continued)



part of the claimed design. The dash-dot-dash broken line defines the claim boundary, and forms no part of the claimed design.

JP	1605118 S	5/2018
JP	1646135 S	11/2019
JP	1670157 S	10/2020
KR	300978623 S	10/2018

1 Claim, 5 Drawing Sheets

(58) **Field of Classification Search**

USPC D3/296, 298; D9/414, 420, 423, 430;
 D14/223, 251, 432
 CPC .. H02J 7/0044; A45C 2011/001; B65D 43/16;
 H04R 1/1025
 See application file for complete search history.

(56) **References Cited**

U.S. PATENT DOCUMENTS

D904,023 S *	12/2020	Wang	D3/294
D904,025 S *	12/2020	Ma	D3/295
D904,755 S *	12/2020	Birger	D3/201
D911,027 S *	2/2021	Liang	D3/274
D911,028 S *	2/2021	Lee	D3/294
D911,944 S *	3/2021	Gao	D13/108
D920,236 S *	5/2021	Xie	D13/108
2020/0068285 A1 *	2/2020	Dang	H04R 1/1016
2020/0233046 A1 *	7/2020	Ding	H02J 7/025
2021/0058687 A1 *	2/2021	Liu	H04R 1/02
2021/0112672 A1 *	4/2021	Cazalet	A45C 13/005

FOREIGN PATENT DOCUMENTS

CN	305450204 S	11/2019
JP	1557844 S	9/2016

OTHER PUBLICATIONS

“Vivo Nex 3 5G And TWS Earphone”. Found online Dec. 23, 2020 at sparrowsnews.com. Reference dated Sep. 16, 2019. Retrieved from <https://sparrowsnews.com/2019/09/16/vivo-nex-3-5g-and-tws-earphone-official-introduction/>. (Year: 2019).*

“Google Pixel Earbuds 2”. Found online Dec. 4, 2020 at androidauthority.com. Reference dated Oct. 15, 2019. Retrieved from <https://www.androidauthority.com/google-pixel-buds-2-review-1040861/>. (Year: 2019).*

Airpods Case sold by Apple at least as early as Aug. 2019. 9 pages. [online], [retrieved on Apr. 16, 2020]. Retrieved from the internet <URL: <https://www.bestbuy.com/site/apple-airpods-wireless-charging-case-white/6296120.p?skuId=6296120>>.

Roy, Jacqueline et al. “Apple reveals new AirPods Pro, available Oct. 30.” Oct. 28, 2019. 9 pages. Retrieved from the Internet: <<https://www.apple.com/newsroom/2019/10/apple-reveals-new-airpods-pro-available-october-30/>>.

Design U.S. Appl. No. 29/709,173, filed Oct. 11, 2019. 52 pages.

Design U.S. Appl. No. 29/709,177, filed Oct. 11, 2019. 22 pages.

Design U.S. Appl. No. 29/709,192, filed Oct. 11, 2019. 58 pages.

Design U.S. Appl. No. 29/730,537, filed Apr. 6, 2020. 51 pages.

“Nikkei Trendy.” Jan. 2018, No. 425, Dec. 4, 2017, p. 26.

Wego Co., Ltd. From Website for Japanese Online Clothing Retail Store. 2019. 6 pages.

“Tokusengai.” New Products Mar. 2017, No. 3, vol. 39, Feb. 3, 2017, p. 109.

* cited by examiner

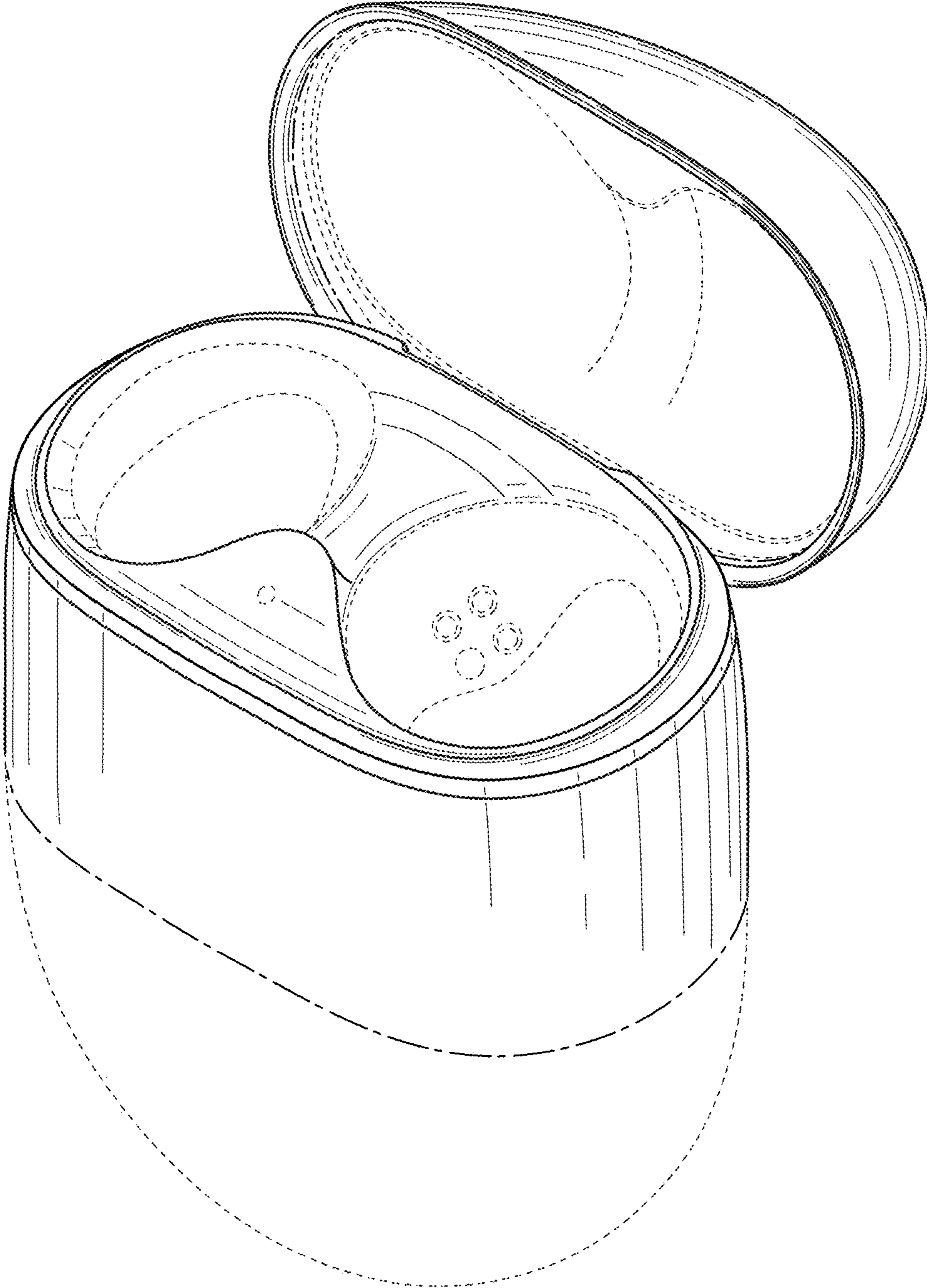


FIG. 1

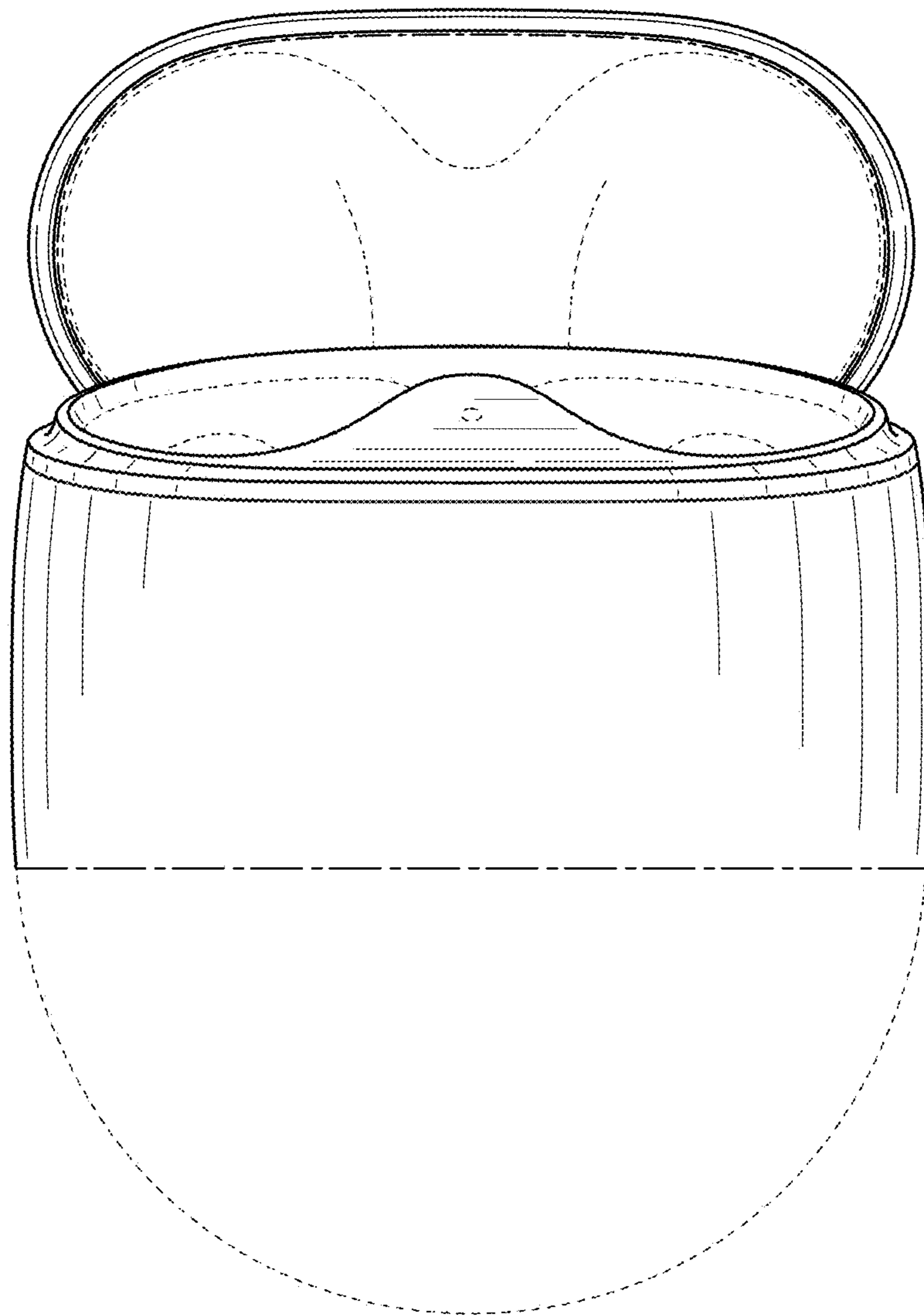


FIG. 2

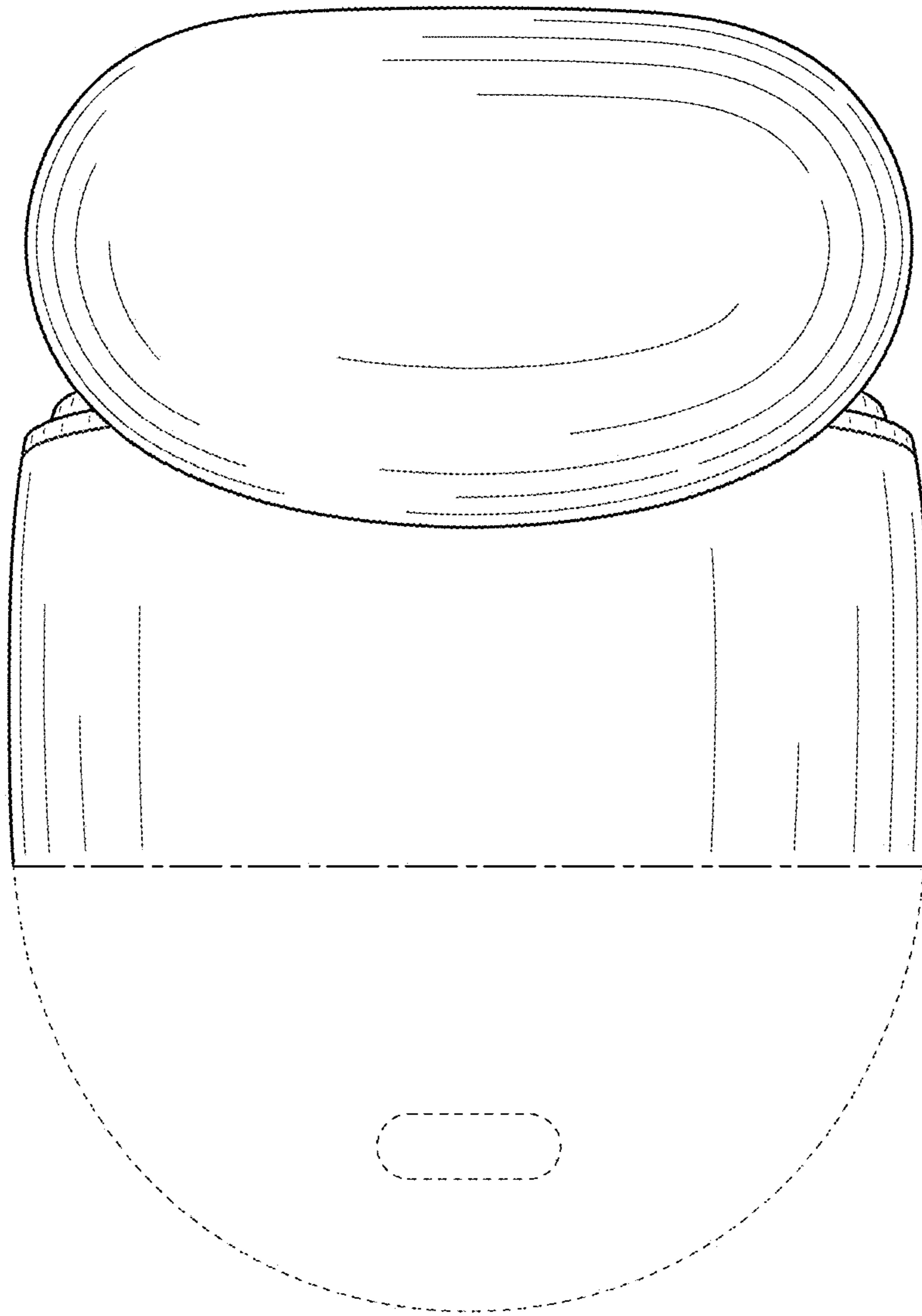


FIG. 3

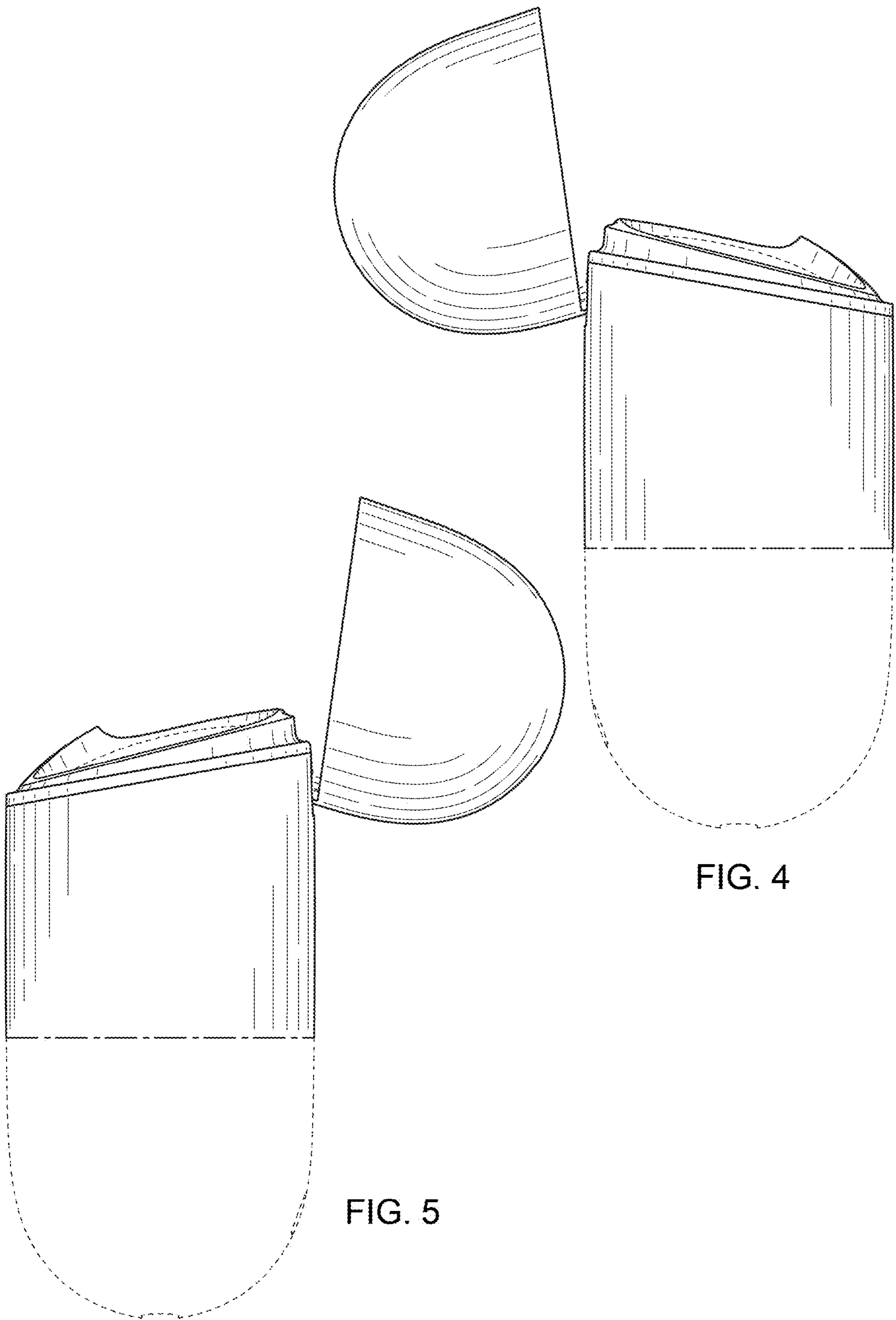


FIG. 4

FIG. 5

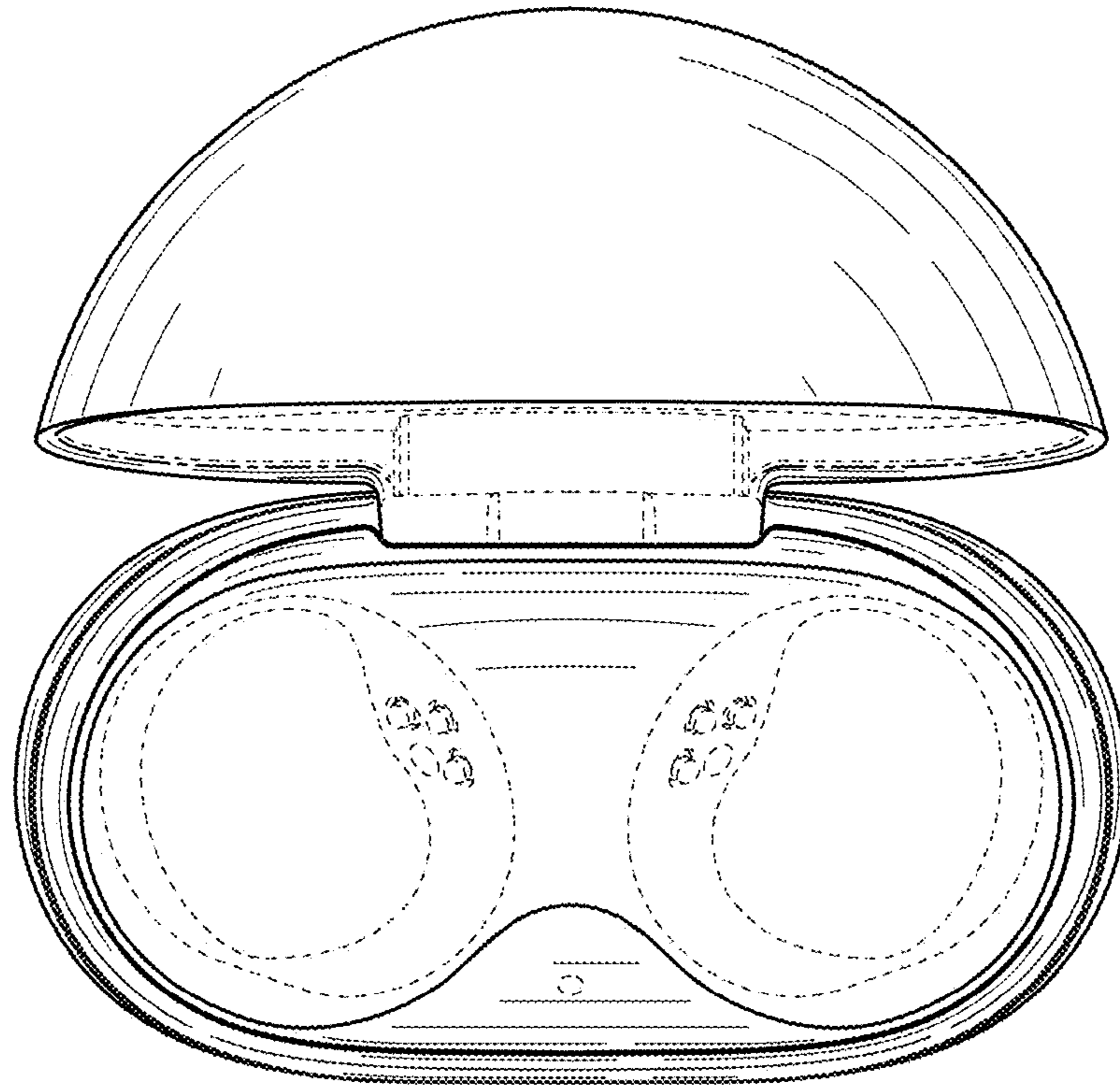


FIG. 6

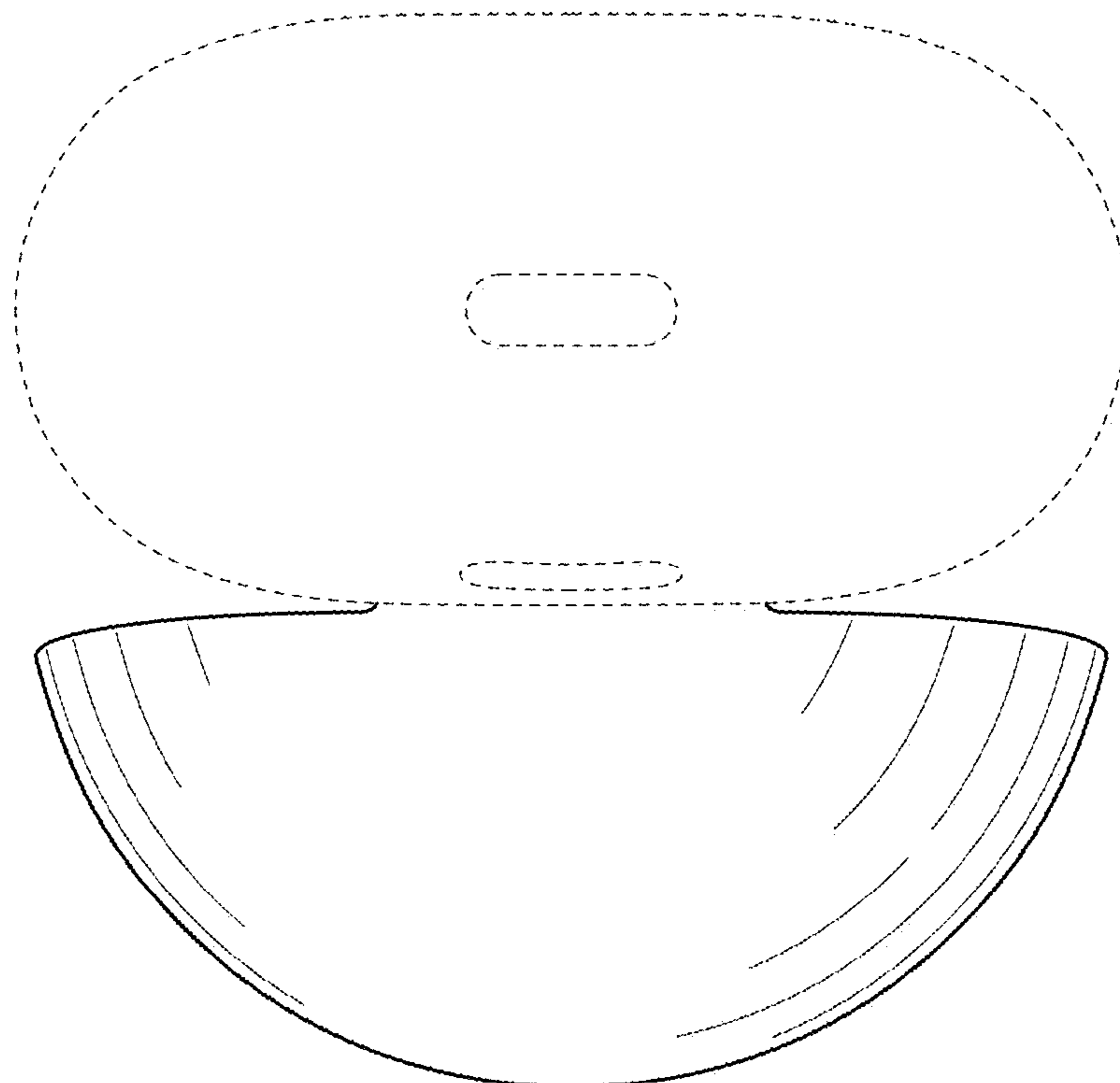


FIG. 7