



US00D955981S

(12) **United States Design Patent**
Hsu

(10) **Patent No.:** **US D955,981 S**
(45) **Date of Patent:** **** Jun. 28, 2022**

(54) **CHARGING STAND**

(71) Applicant: **Dong Guan Jia Sheng Lighting Technology Co., Ltd. China,**
Dong-Guna (CN)

(72) Inventor: **Kevin Hsu,** Taichung (TW)

(73) Assignee: **Dong Guan Jia Sheng Lighting Technology Co., Ltd. China,**
Guang-Dong (CN)

(**) Term: **15 Years**

(21) Appl. No.: **29/698,104**

(22) Filed: **Jul. 15, 2019**

(51) **LOC (13) Cl.** **13-02**

(52) **U.S. Cl.**
USPC **D13/108**

(58) **Field of Classification Search**
USPC D13/107–110, 118–119, 184; D14/251,
D14/253, 432, 434
CPC Y02T 90/14; H02J 7/025; H02J 7/0042;
H02J 7/0044; H02J 7/0045; H02J 7/0003;
H01F 38/14; H01M 10/44; H01M 10/46;
H01M 10/425; H01R 13/6675
See application file for complete search history.

(56) **References Cited**

U.S. PATENT DOCUMENTS

D510,562 S * 10/2005 Lodato D13/108
D520,447 S * 5/2006 Liu D13/108

D567,993 S * 4/2008 Shiu D26/102
D599,604 S * 9/2009 Dorado D6/601
D626,537 S * 11/2010 Lee D14/227
8,454,190 B2 * 6/2013 Hau H05B 45/325
320/108
D751,503 S * 3/2016 Fournier D13/108
D792,341 S * 7/2017 Delsaut D13/102
D853,324 S * 7/2019 Miller D13/108
10,651,673 B2 * 5/2020 Longo F21V 23/06
D900,737 S * 11/2020 Hsu D13/108
D917,387 S * 4/2021 Ludwig D13/108
2015/0377431 A1 * 12/2015 Hau H02J 50/10
362/183

* cited by examiner

Primary Examiner — Nathaniel D. Buckner

(74) *Attorney, Agent, or Firm* — Alan D. Kamrath; Karin L. Williams; Mayer & Williams PC

(57) **CLAIM**

The ornamental design for a charging stand, as shown and described.

DESCRIPTION

FIG. 1 is a perspective view of a charging stand showing my design.

FIG. 2 is a front elevational view thereof.

FIG. 3 is a rear elevational view thereof.

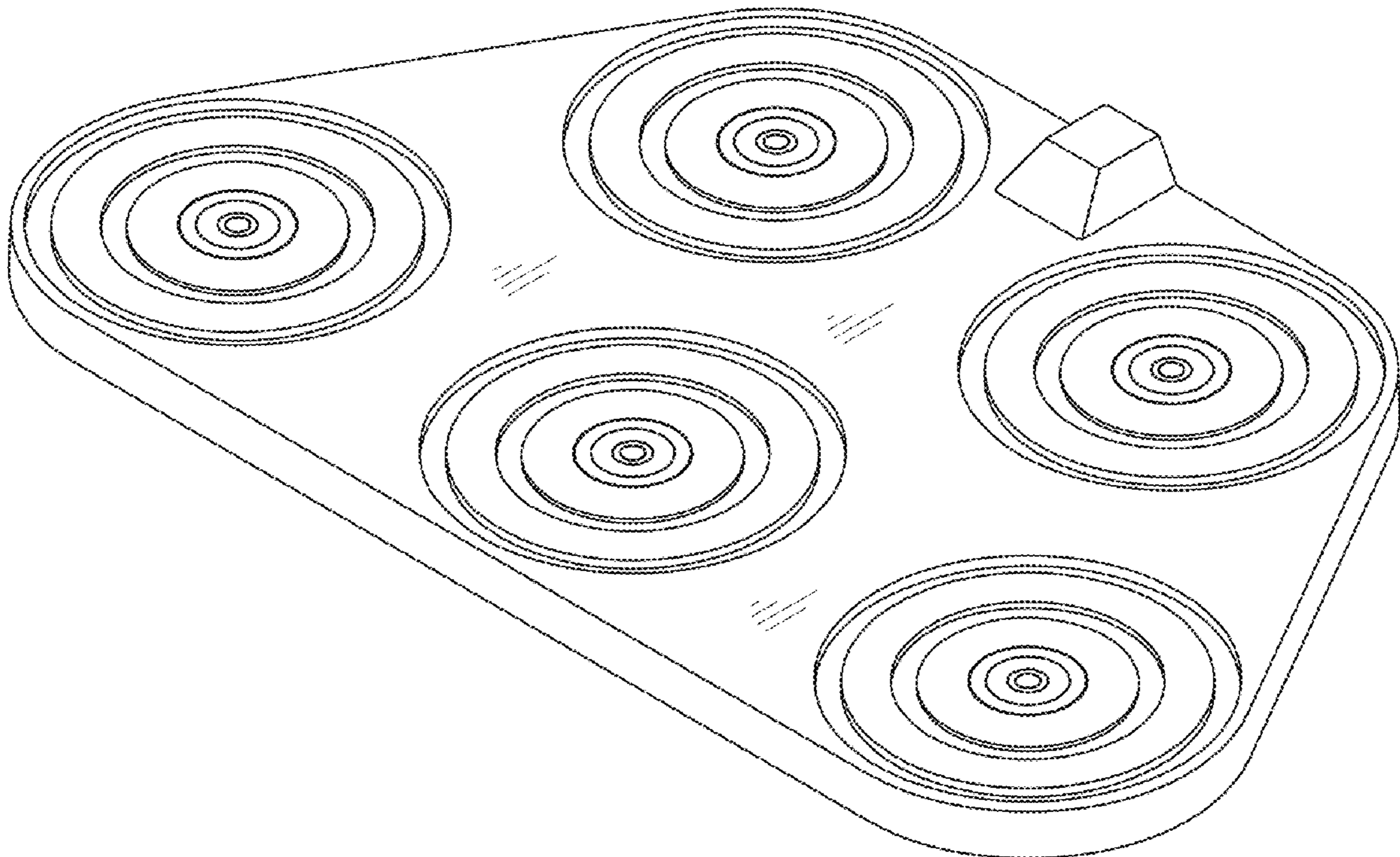
FIG. 4 is a left side elevational view thereof.

FIG. 5 is a right side elevational view thereof.

FIG. 6 is a top plan view thereof; and,

FIG. 7 is a bottom plan view thereof.

1 Claim, 3 Drawing Sheets



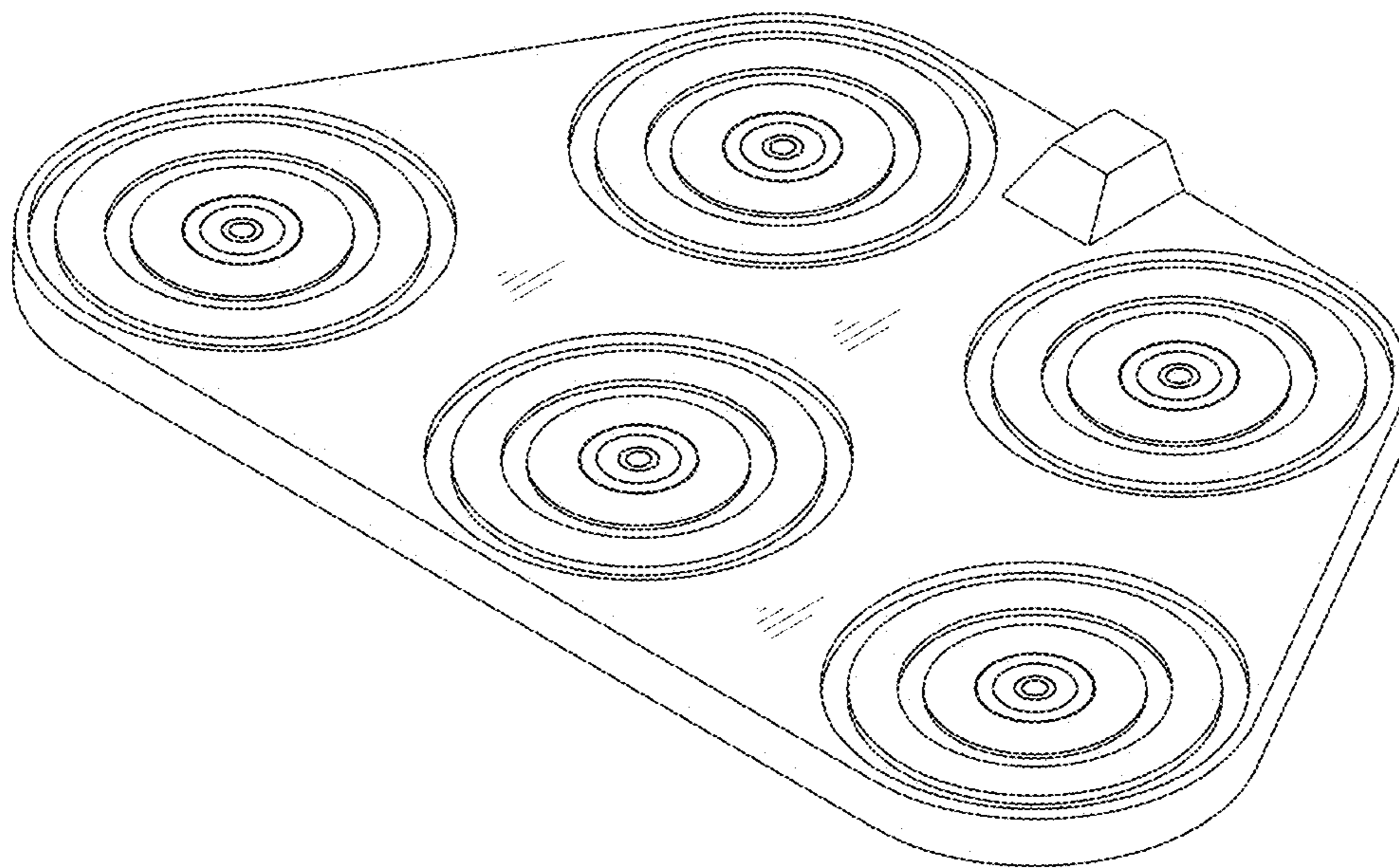


FIG.1

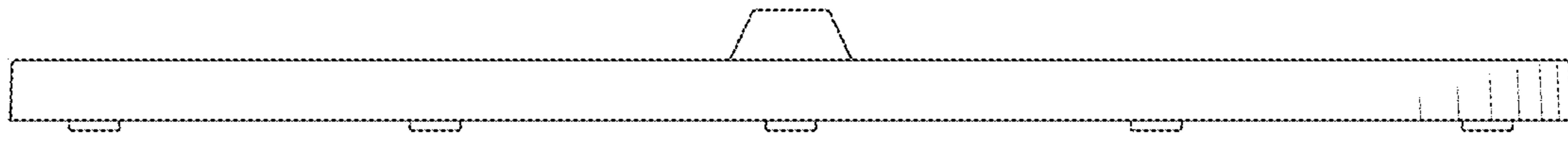


FIG. 2

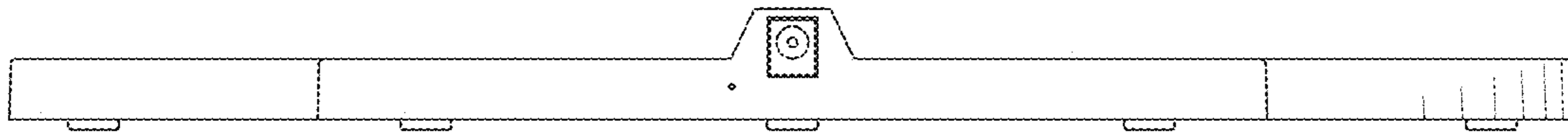


FIG. 3

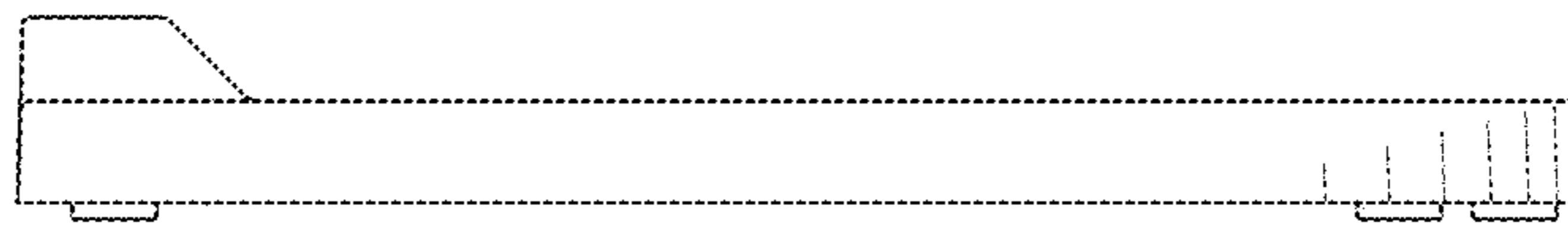


FIG. 4

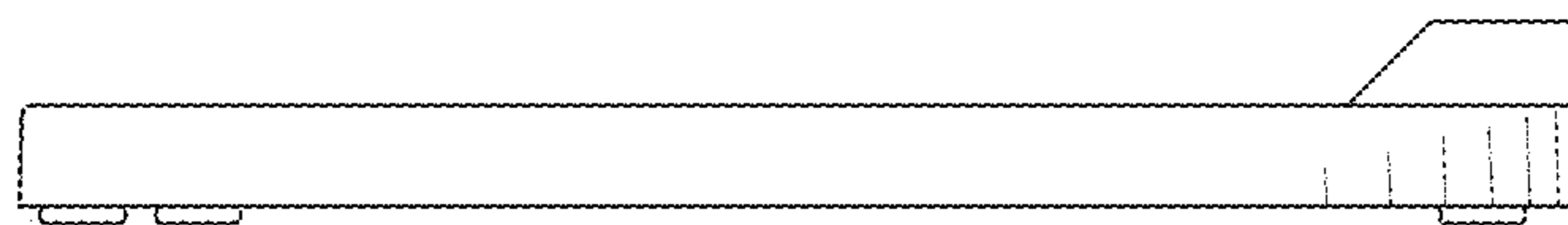


FIG. 5

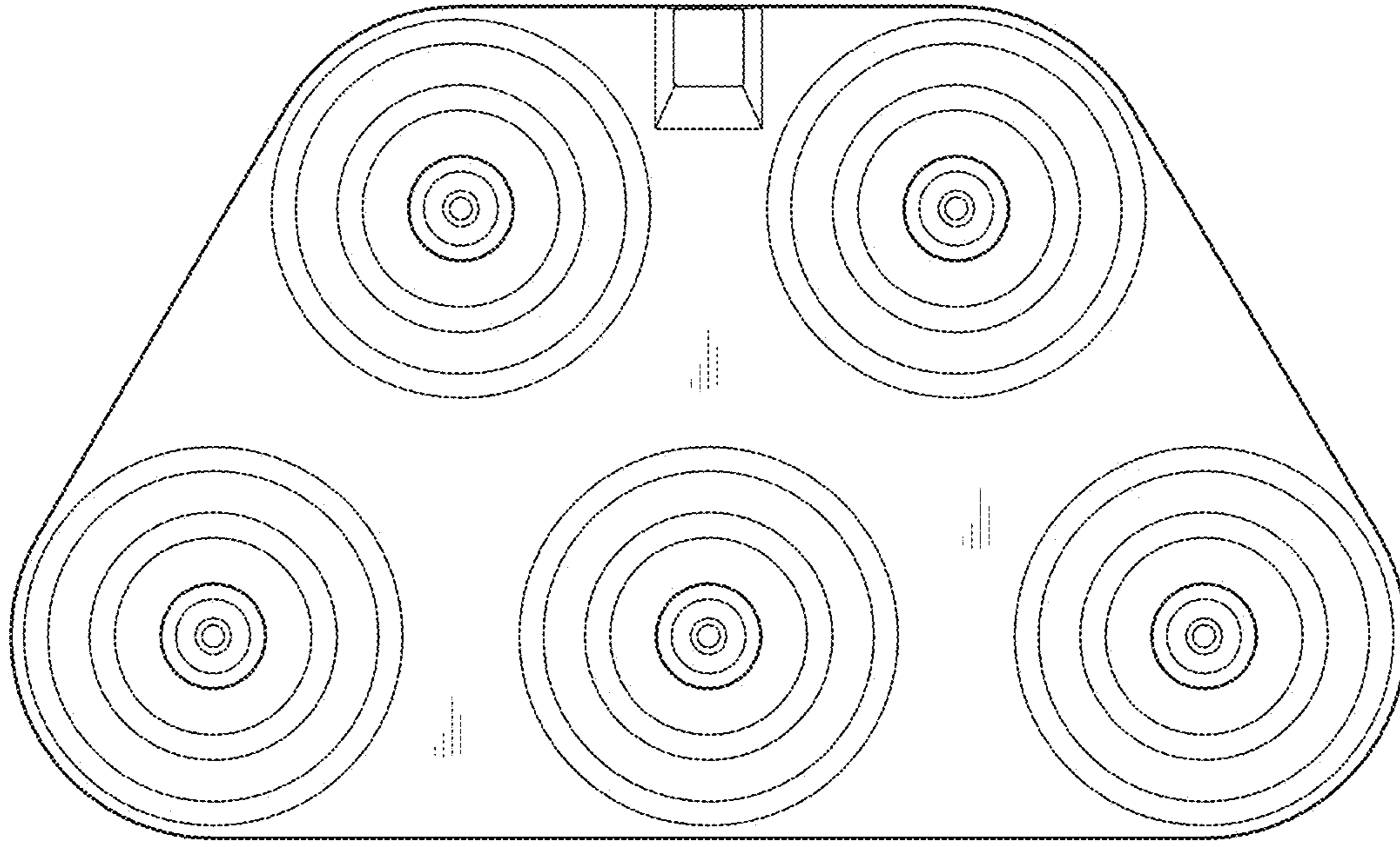


FIG. 6

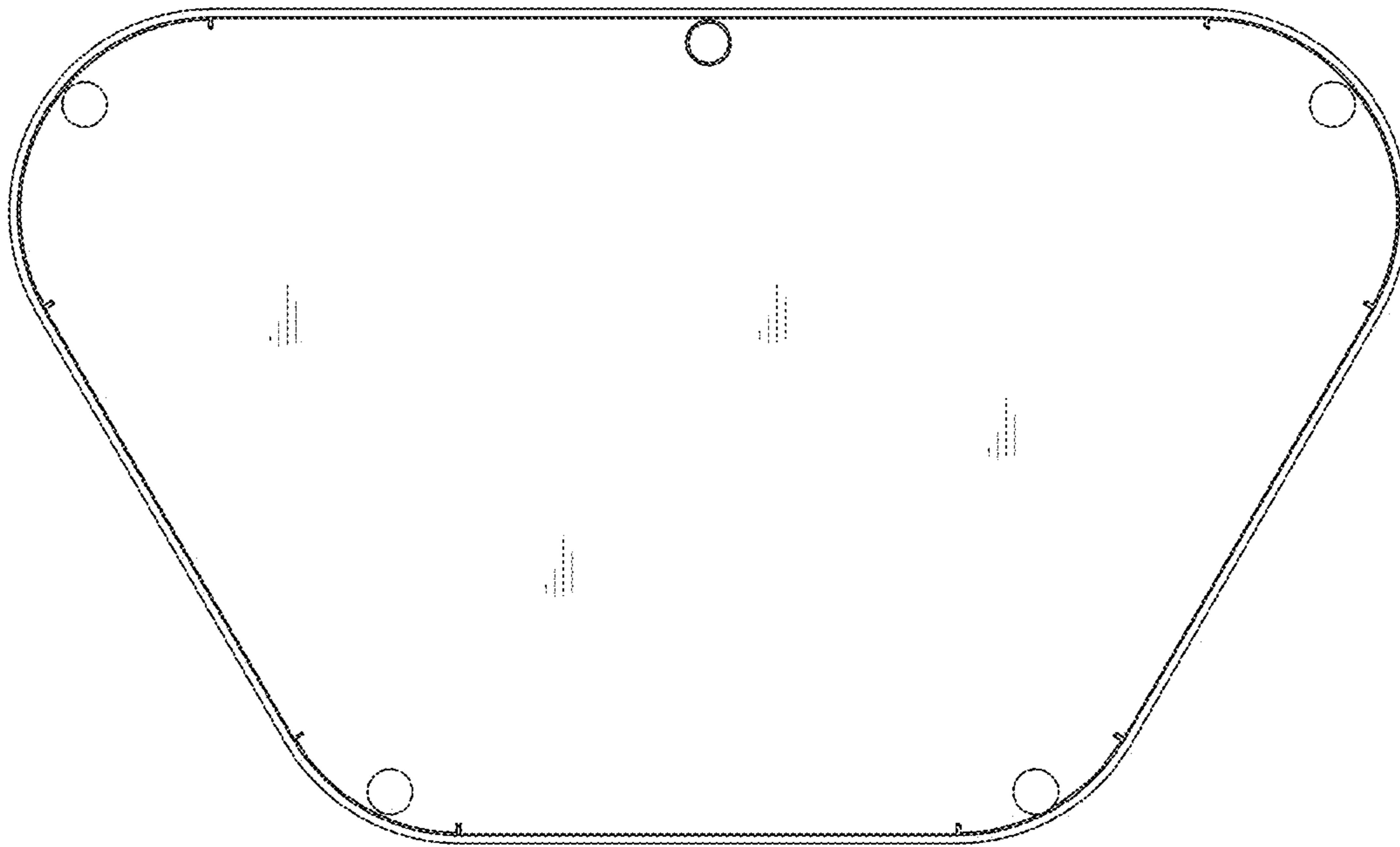


FIG. 7