



US00D955980S

(12) **United States Design Patent**
Zhao

(10) **Patent No.:** **US D955,980 S**
(45) **Date of Patent:** **** Jun. 28, 2022**

(54) **VEHICLE MOBILE PHONE WIRELESS CHARGER**

(71) Applicant: **Shenzhen Itian Technology Co., Ltd.**,
Shenzhen (CN)

(72) Inventor: **Jiankun Zhao**, Lixian (CN)

(**) Term: **15 Years**

(21) Appl. No.: **29/695,885**

(22) Filed: **Jun. 24, 2019**

(51) **LOC (13) Cl.** **13-02**

(52) **U.S. Cl.**
USPC **D13/108**

(58) **Field of Classification Search**
USPC D13/108; D12/415; D14/253, 447, 434
CPC B60R 11/02; B60R 2011/0056; B60R
2011/0059; B60R 2011/0061; B60R
2011/0075; H04M 1/04
See application file for complete search history.

(56) **References Cited**

U.S. PATENT DOCUMENTS

D705,211 S * 5/2014 Huang D14/253
D858,509 S * 9/2019 Yao D12/415
D859,393 S * 9/2019 Dang D12/415
D859,395 S * 9/2019 Yao D12/415

D862,454 S * 10/2019 Chun D12/415
D892,787 S * 8/2020 Chen D14/253
D895,601 S * 9/2020 Liao D14/253
D896,215 S * 9/2020 Li D14/253
D898,666 S * 10/2020 Alves D13/108
D927,479 S * 8/2021 Wang D14/253
D928,140 S * 8/2021 Wang D14/253
D933,646 S * 10/2021 Liao D12/415
D942,382 S * 2/2022 Alves D13/108

* cited by examiner

Primary Examiner — Nathaniel D. Buckner

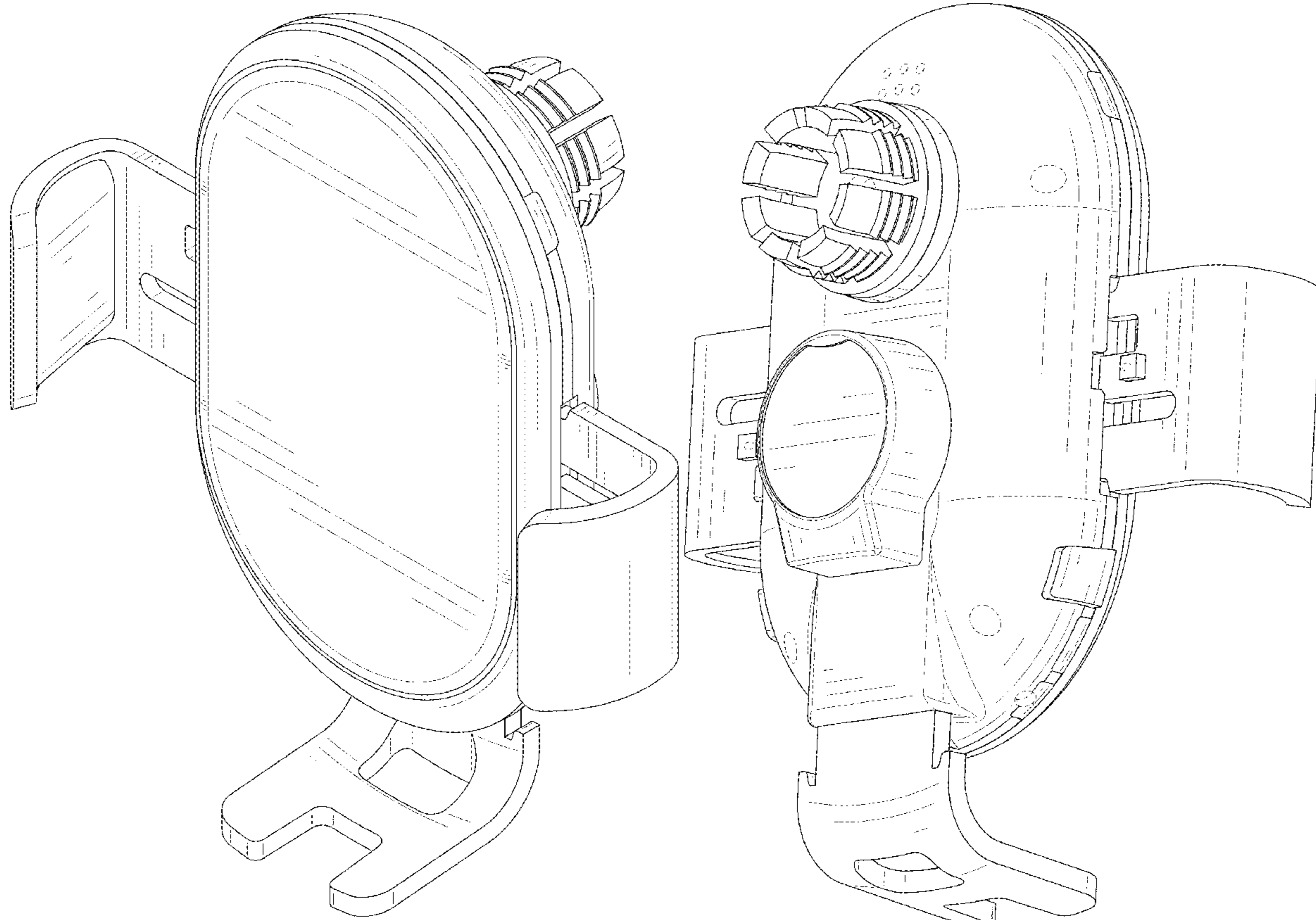
(57) **CLAIM**

The ornamental design for a vehicle mobile phone wireless charger, as shown and described.

DESCRIPTION

FIG. 1 is a first perspective view of a vehicle mobile phone wireless charger showing my design;
FIG. 2 is a second perspective view thereof;
FIG. 3 is a front view thereof;
FIG. 4 is a back view thereof;
FIG. 5 is a left side view thereof;
FIG. 6 is a right side view thereof;
FIG. 7 is a top view thereof; and,
FIG. 8 is a bottom view thereof.
The broken lines in the figures depict portions of the vehicle mobile phone wireless charger which form no part of the claimed design.

1 Claim, 8 Drawing Sheets



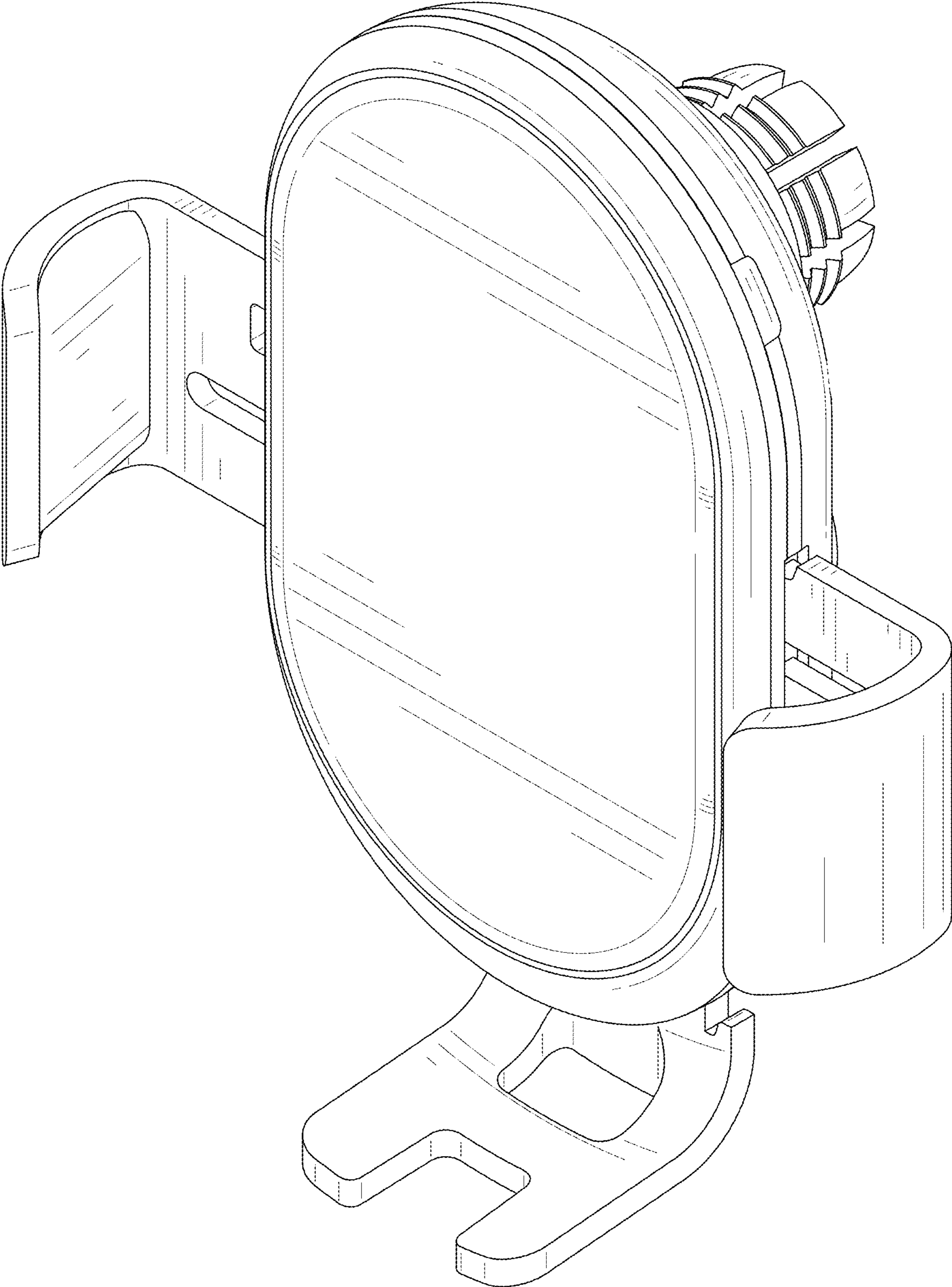


FIG. 1

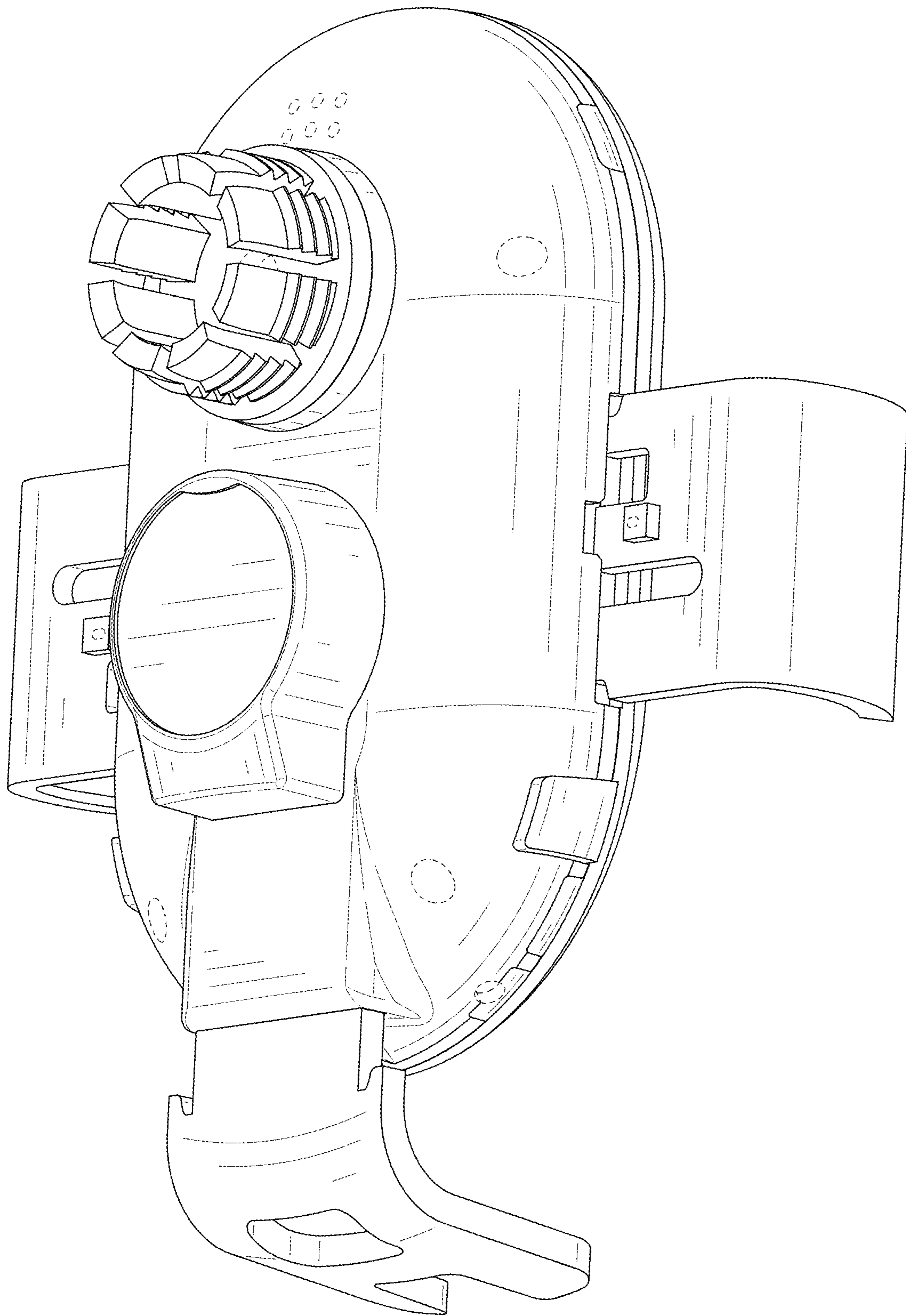


FIG. 2

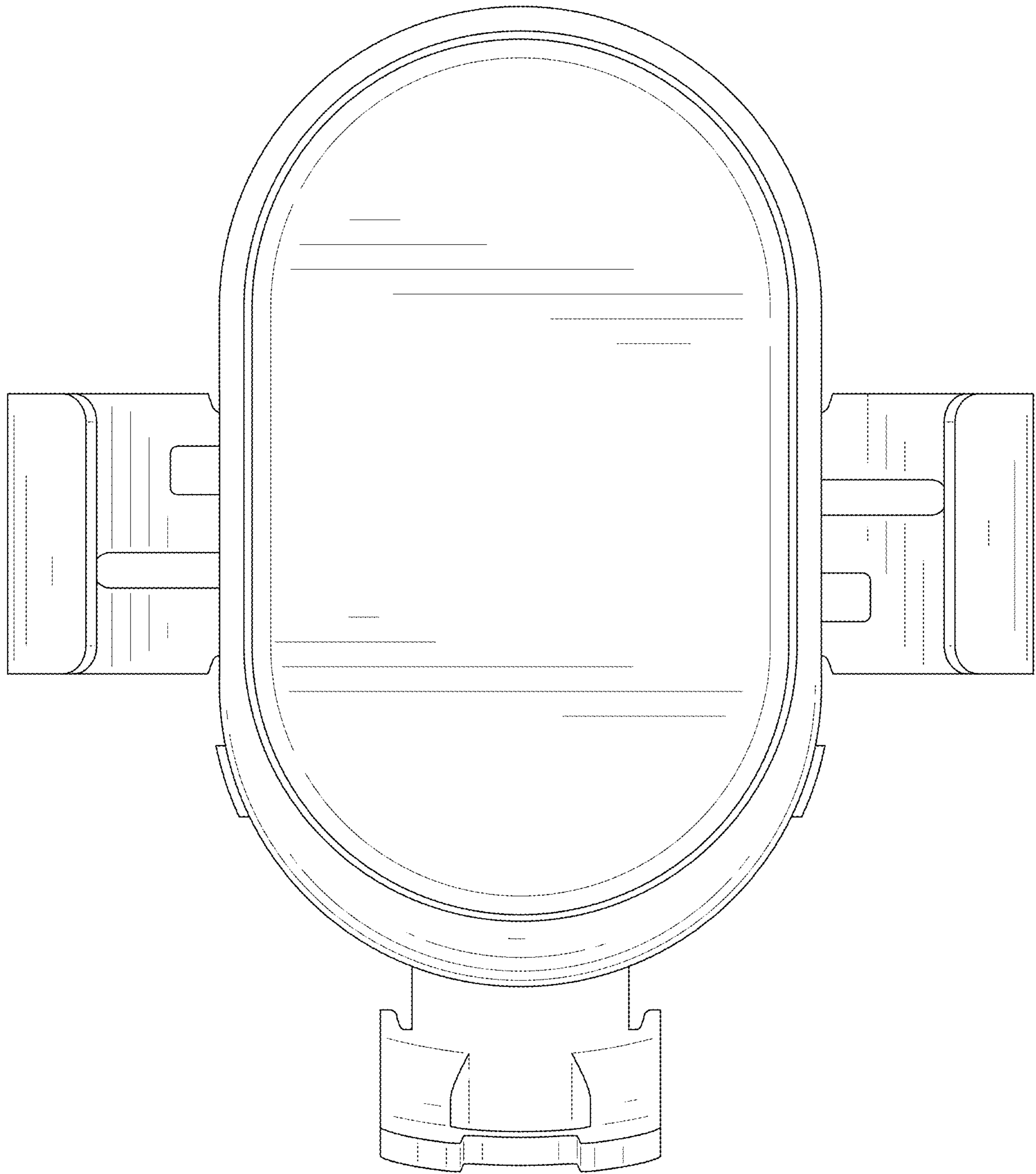


FIG. 3

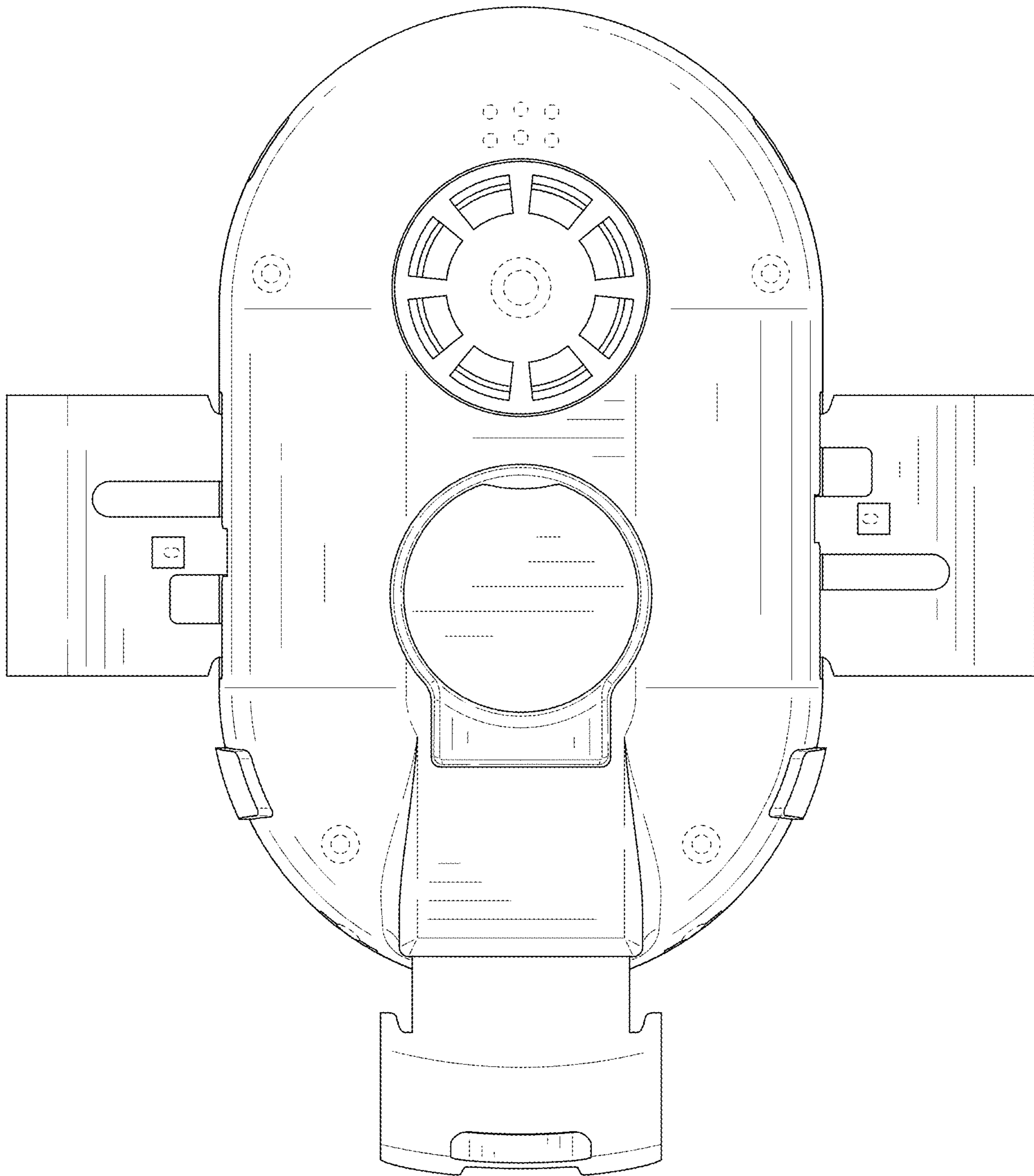


FIG. 4

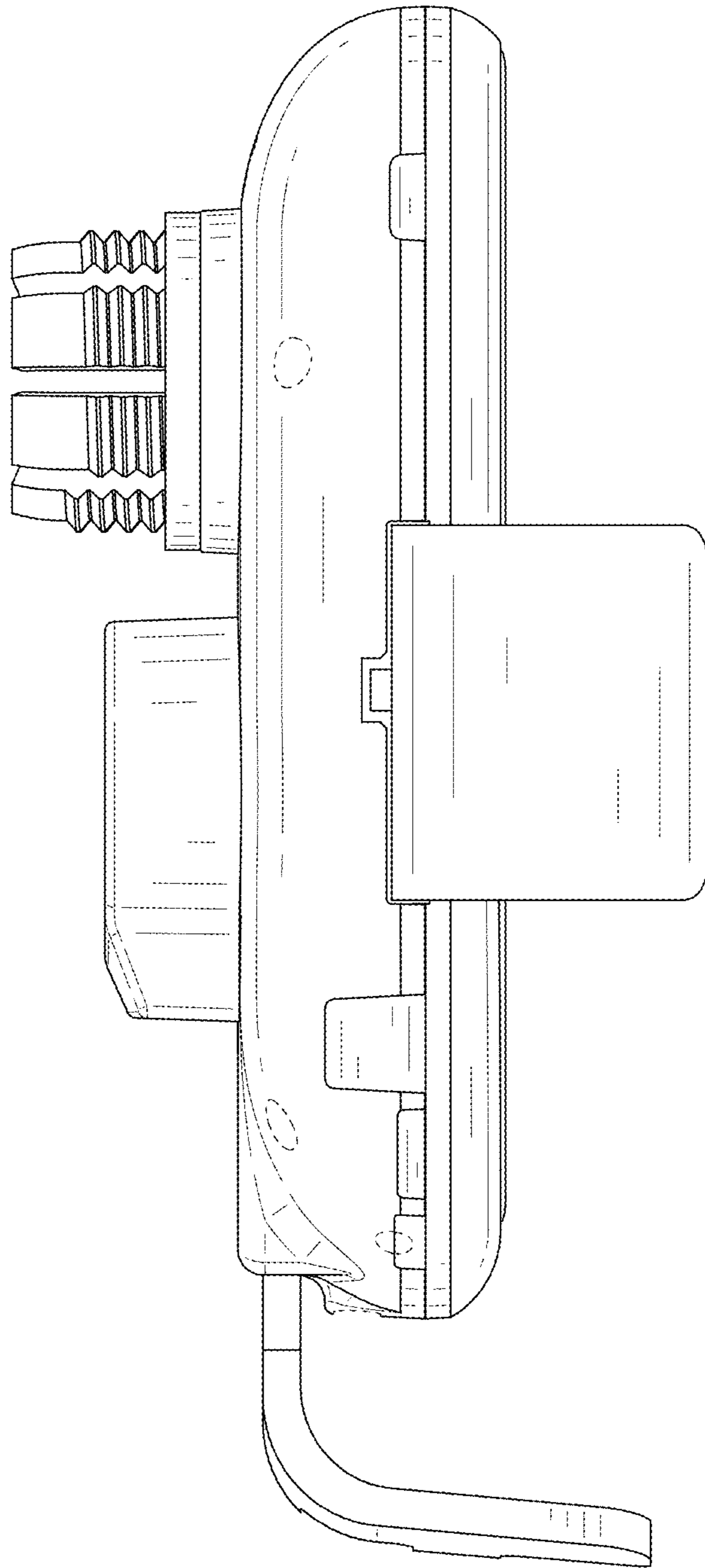


FIG. 5

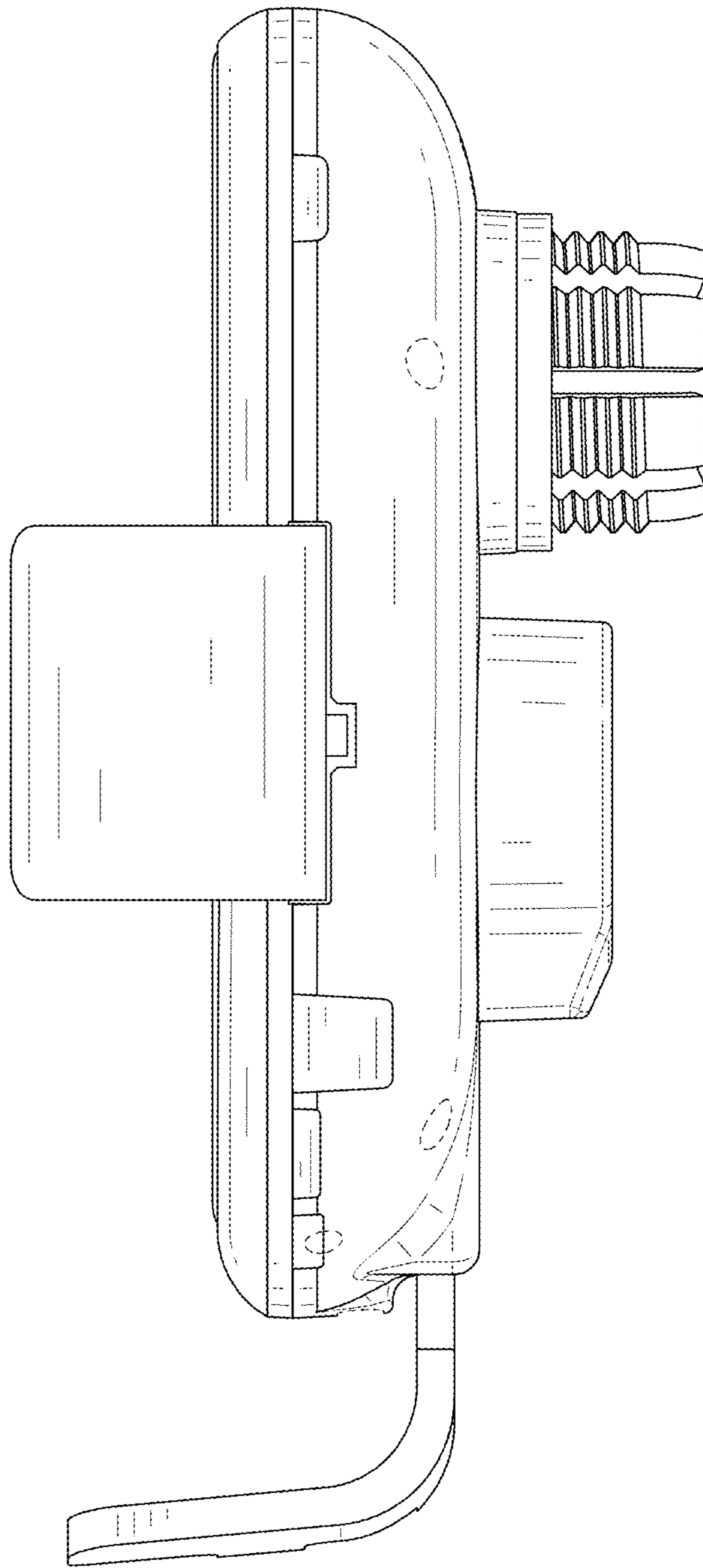


FIG. 6

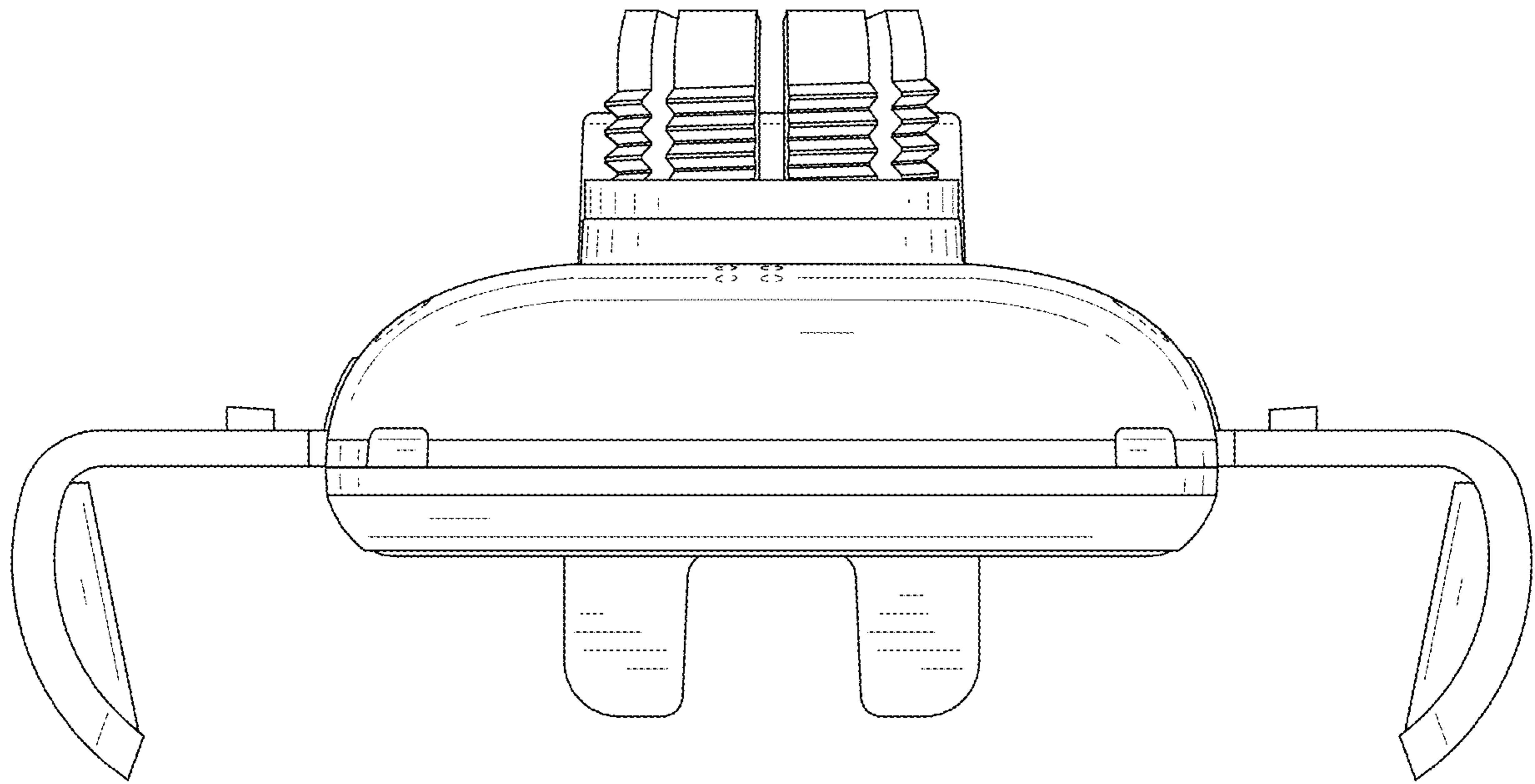


FIG. 7

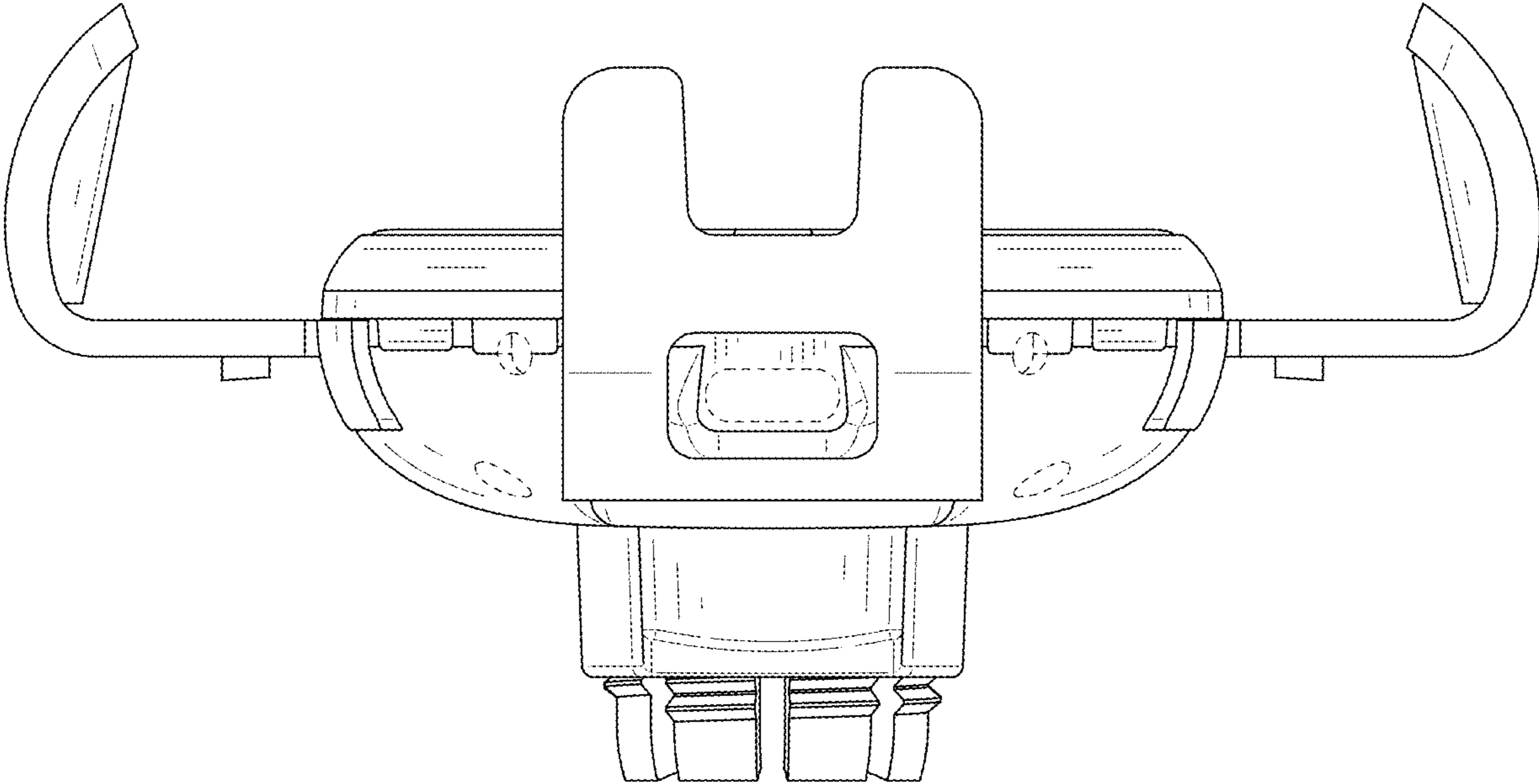


FIG. 8