



US00D955979S

(12) **United States Design Patent**  
**Zhao**

(10) **Patent No.:** **US D955,979 S**  
(45) **Date of Patent:** **\*\* Jun. 28, 2022**

(54) **VEHICLE MOBILE PHONE WIRELESS CHARGER**

(71) Applicant: **Shenzhen Itian Technology Co., Ltd.**,  
Shenzhen (CN)

(72) Inventor: **Jiankun Zhao**, Lixian (CN)

(\*\*) Term: **15 Years**

(21) Appl. No.: **29/695,881**

(22) Filed: **Jun. 24, 2019**

(51) **LOC (13) Cl.** ..... **13-02**

(52) **U.S. Cl.**  
USPC ..... **D13/108**

(58) **Field of Classification Search**  
USPC ..... D13/108; D12/415; D14/253, 447, 434  
CPC . B60R 11/02; B60R 11/0241; B60R 11/0258;  
B60R 11/0071; B60R 11/0252; B60R  
2011/0056; B60R 2011/0059; B60R  
2011/0061; B60R 2011/0075; H04M  
1/04; Y02T 90/14; H02J 7/025; H02J  
7/0042; H02J 7/0044; H02J 7/0045; H02J  
7/0003; H01F 38/14; H01R 13/6675;  
H01M 10/44; H01M 10/46; H01M  
10/425; H04B 1/3877

See application file for complete search history.

(56) **References Cited**

**U.S. PATENT DOCUMENTS**

D750,612 S \* 3/2016 Chen ..... D14/447  
D833,369 S \* 11/2018 Lan ..... D12/415

D877,066 S \* 3/2020 Zhang ..... D12/415  
D879,090 S \* 3/2020 Chung ..... D12/415  
D889,454 S \* 7/2020 Liu ..... D14/253  
D894,829 S \* 9/2020 Zhang ..... D13/108  
D895,544 S \* 9/2020 Zhao ..... D13/108  
D895,601 S \* 9/2020 Liao ..... D14/253  
D908,689 S \* 1/2021 Chen ..... D14/253  
D931,849 S \* 9/2021 Qiu ..... D14/253  
D934,235 S \* 10/2021 Liao ..... D12/415  
2007/0284500 A1\* 12/2007 Fan ..... B60R 11/0241  
248/346.06  
2011/0140961 A1\* 6/2011 Yeh ..... H04M 1/04  
342/357.42

\* cited by examiner

*Primary Examiner* — Nathaniel D. Buckner

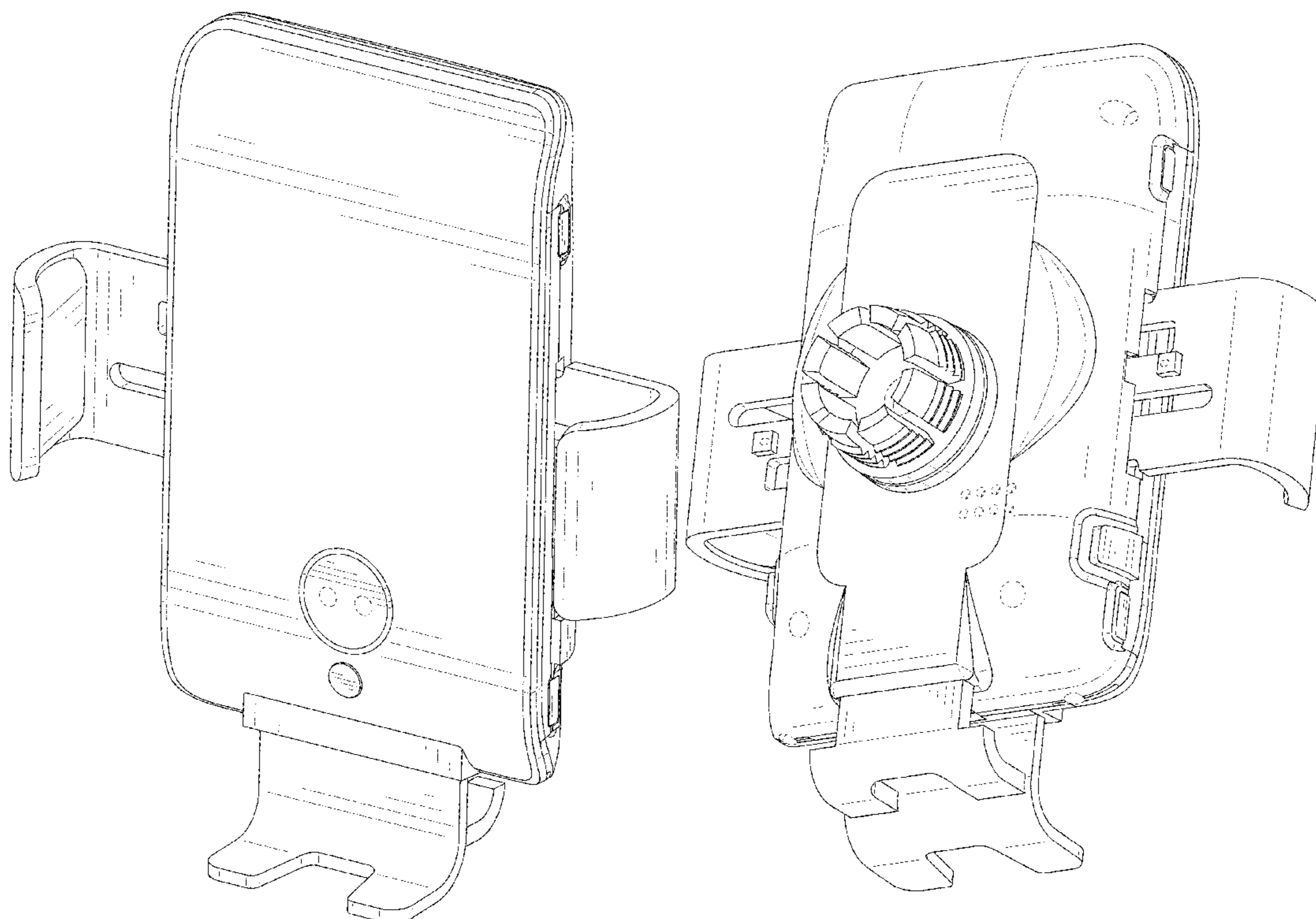
(57) **CLAIM**

The ornamental design for a vehicle mobile phone wireless charger, as shown and described.

**DESCRIPTION**

FIG. 1 is a first perspective view of a vehicle mobile phone wireless charger showing my design;  
FIG. 2 is a second perspective view thereof;  
FIG. 3 is a front view thereof;  
FIG. 4 is a back view thereof;  
FIG. 5 is a left side view thereof;  
FIG. 6 is a right side view thereof;  
FIG. 7 is a top view thereof; and,  
FIG. 8 is a bottom view thereof.  
The broken lines in the figures depict portions of the vehicle mobile phone wireless charger which form no part of the claimed design.

**1 Claim, 8 Drawing Sheets**



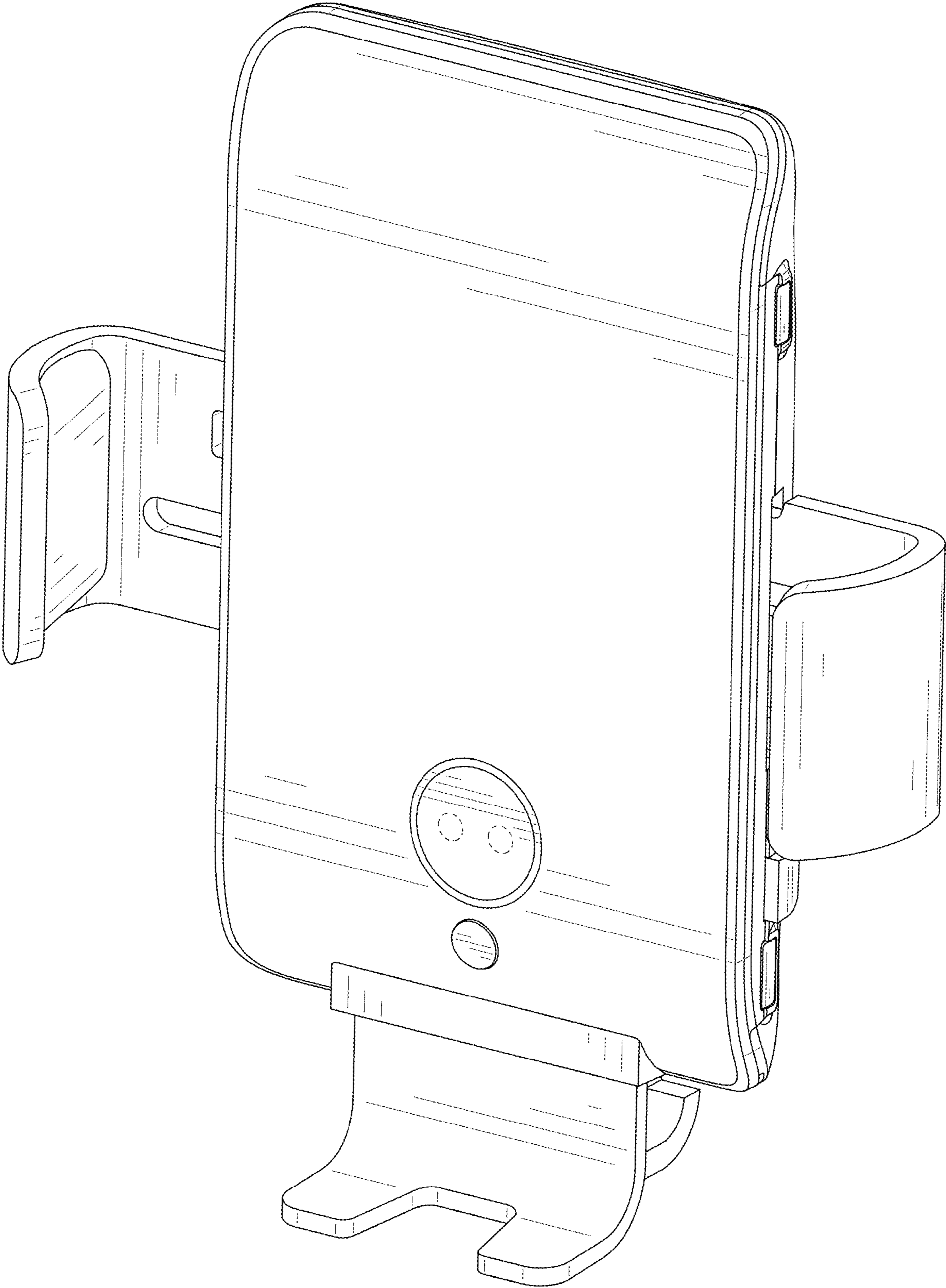


FIG. 1

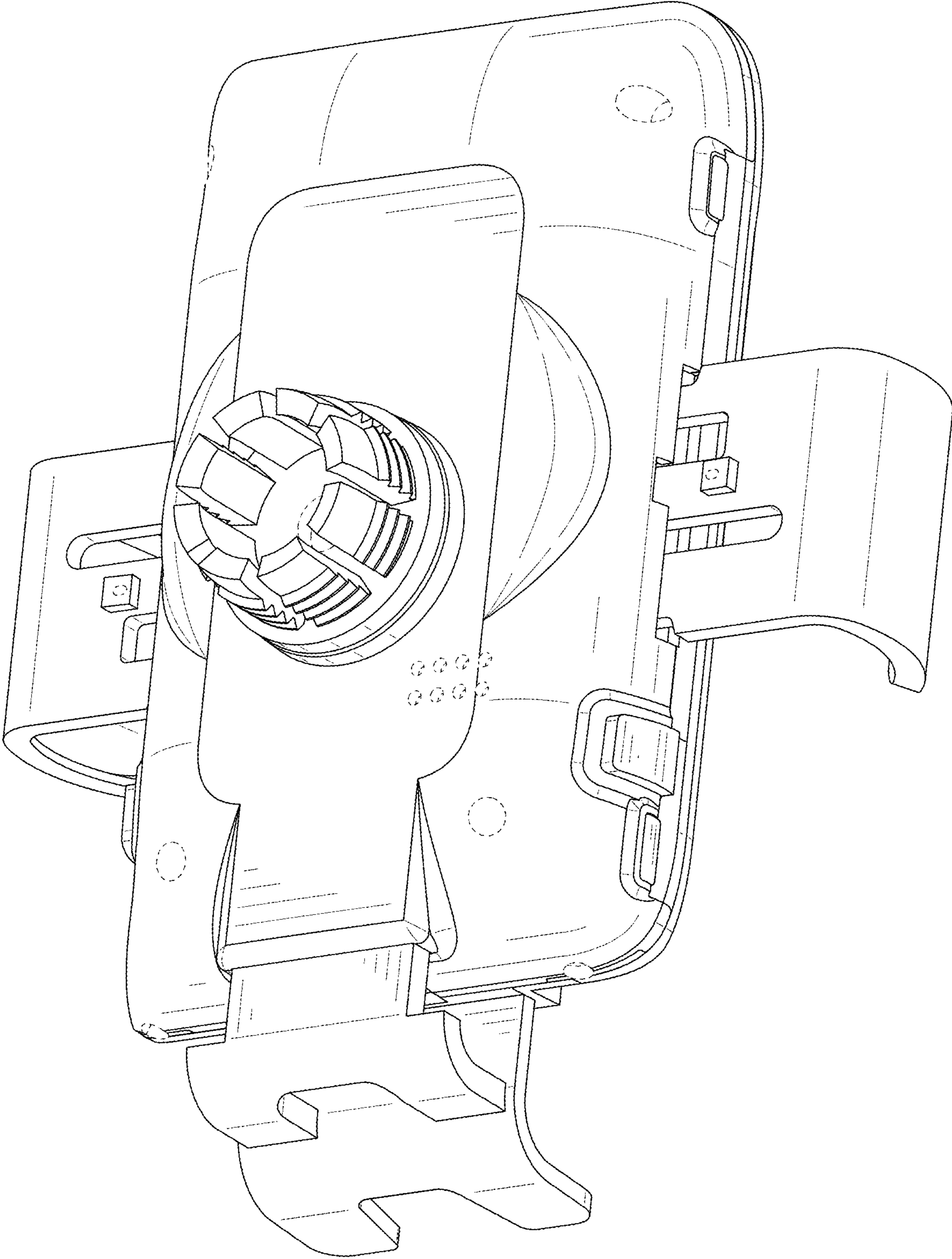


FIG. 2

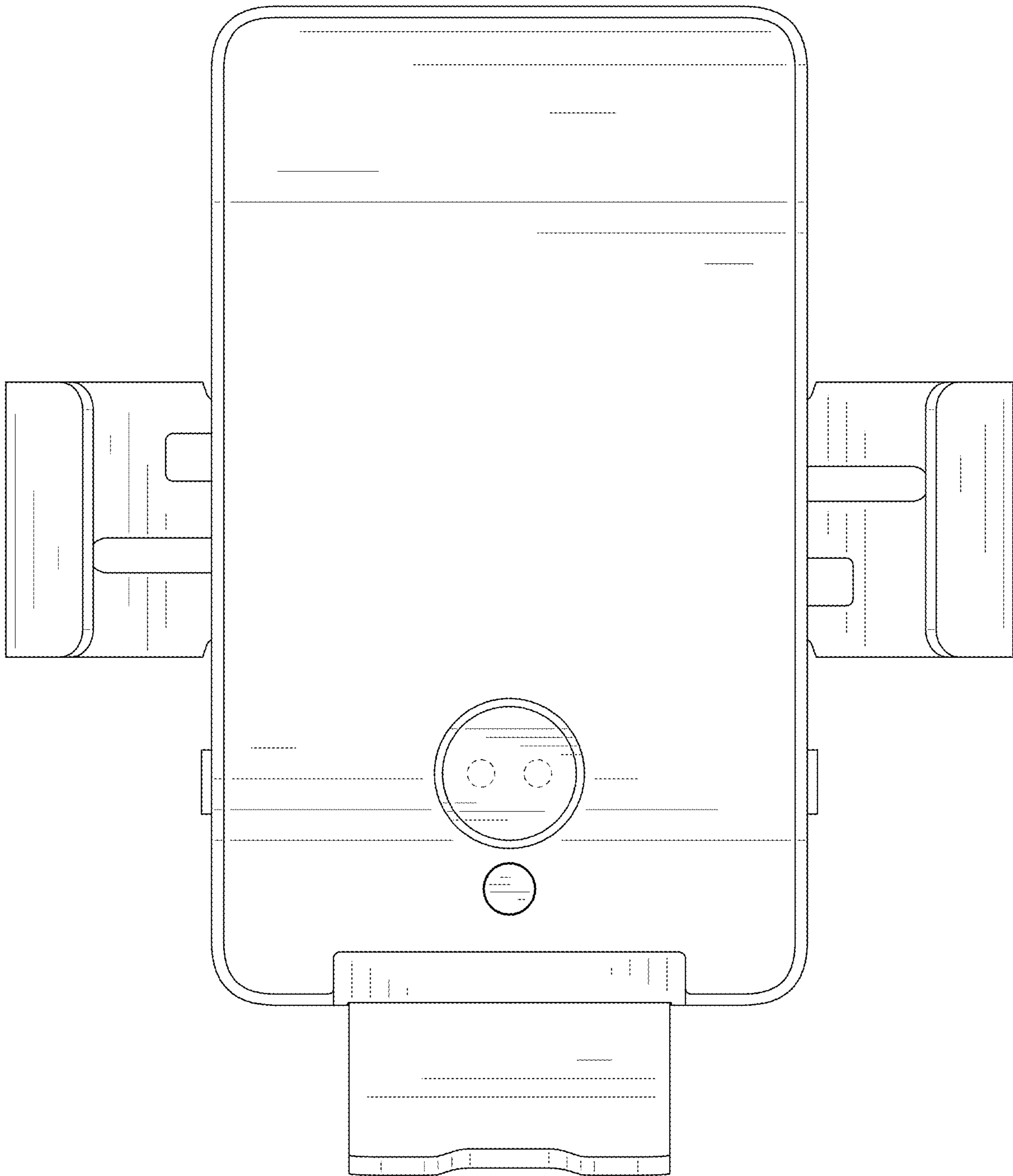


FIG. 3

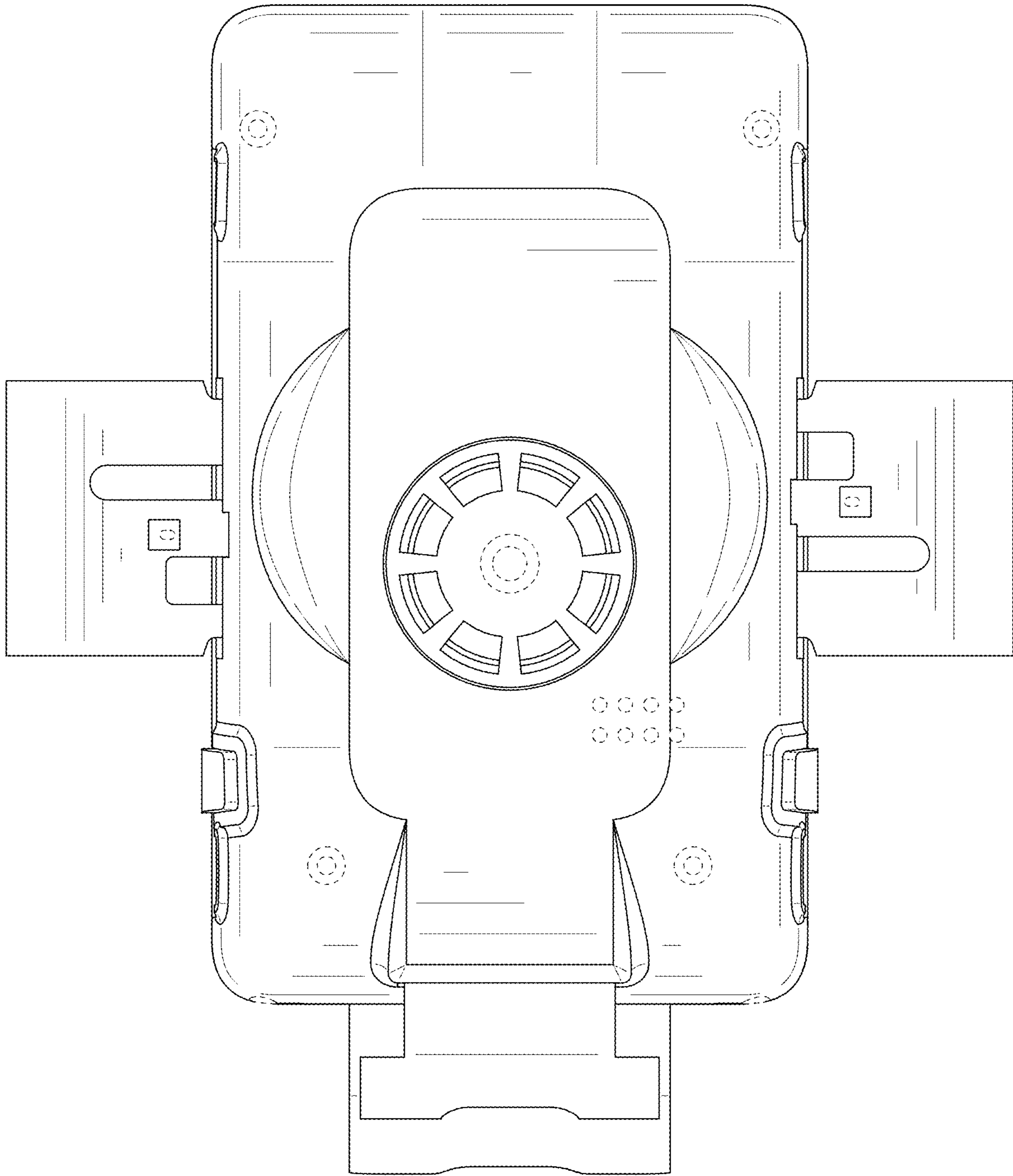


FIG. 4

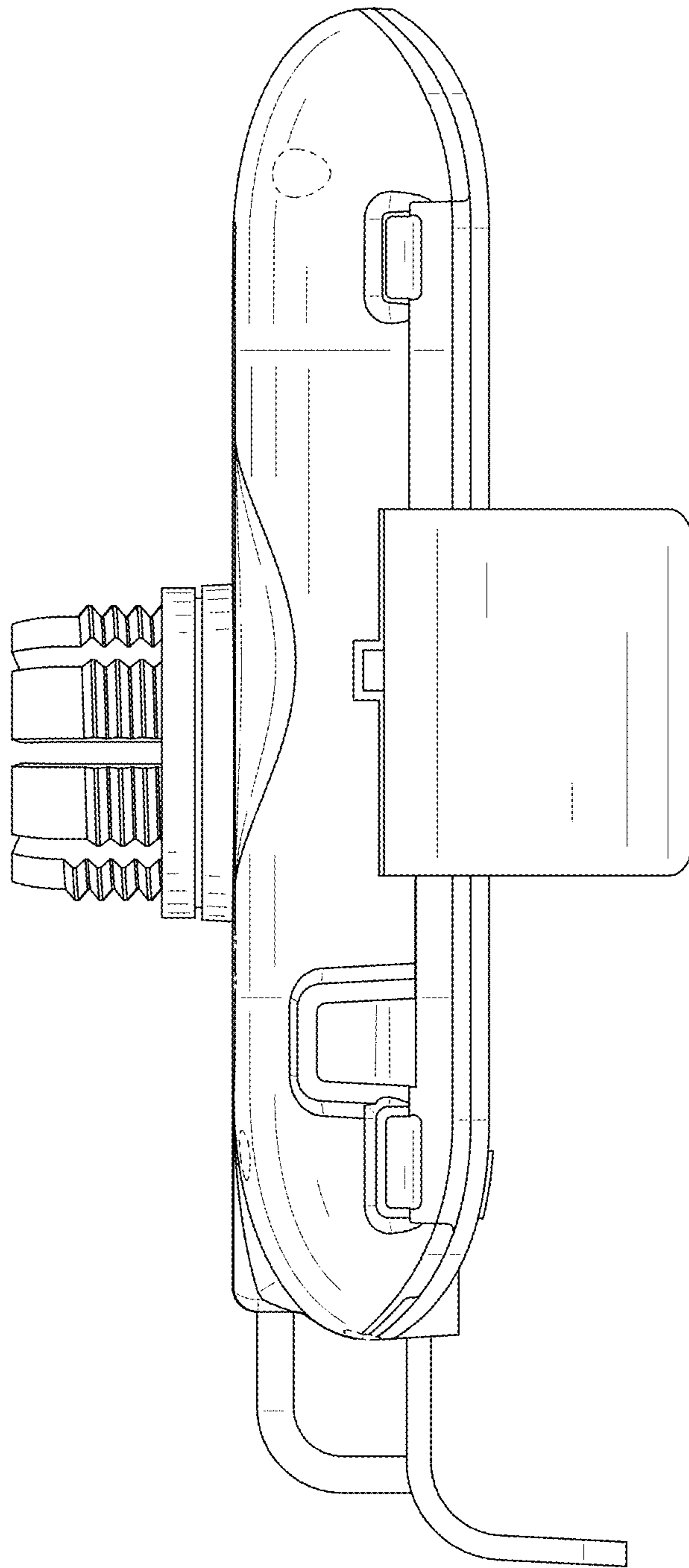


FIG. 5

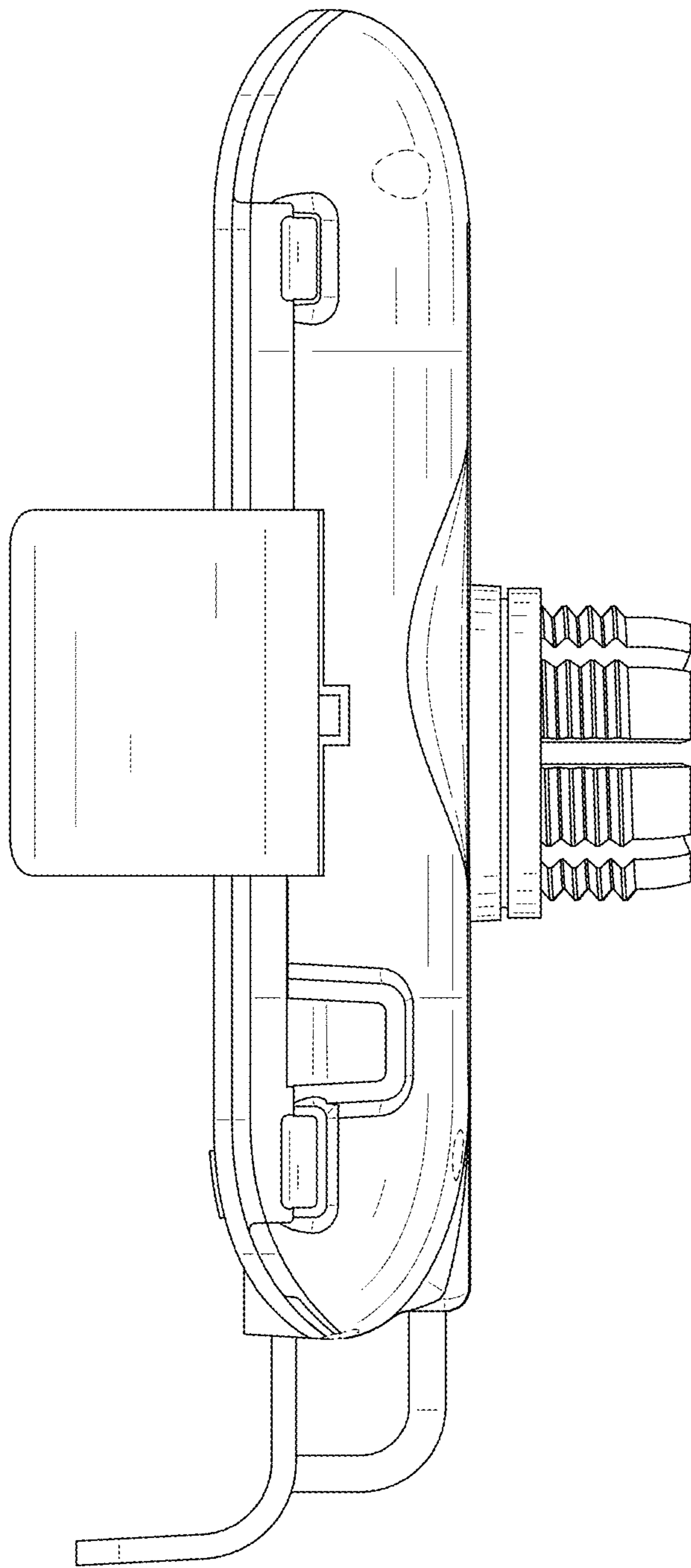


FIG. 6

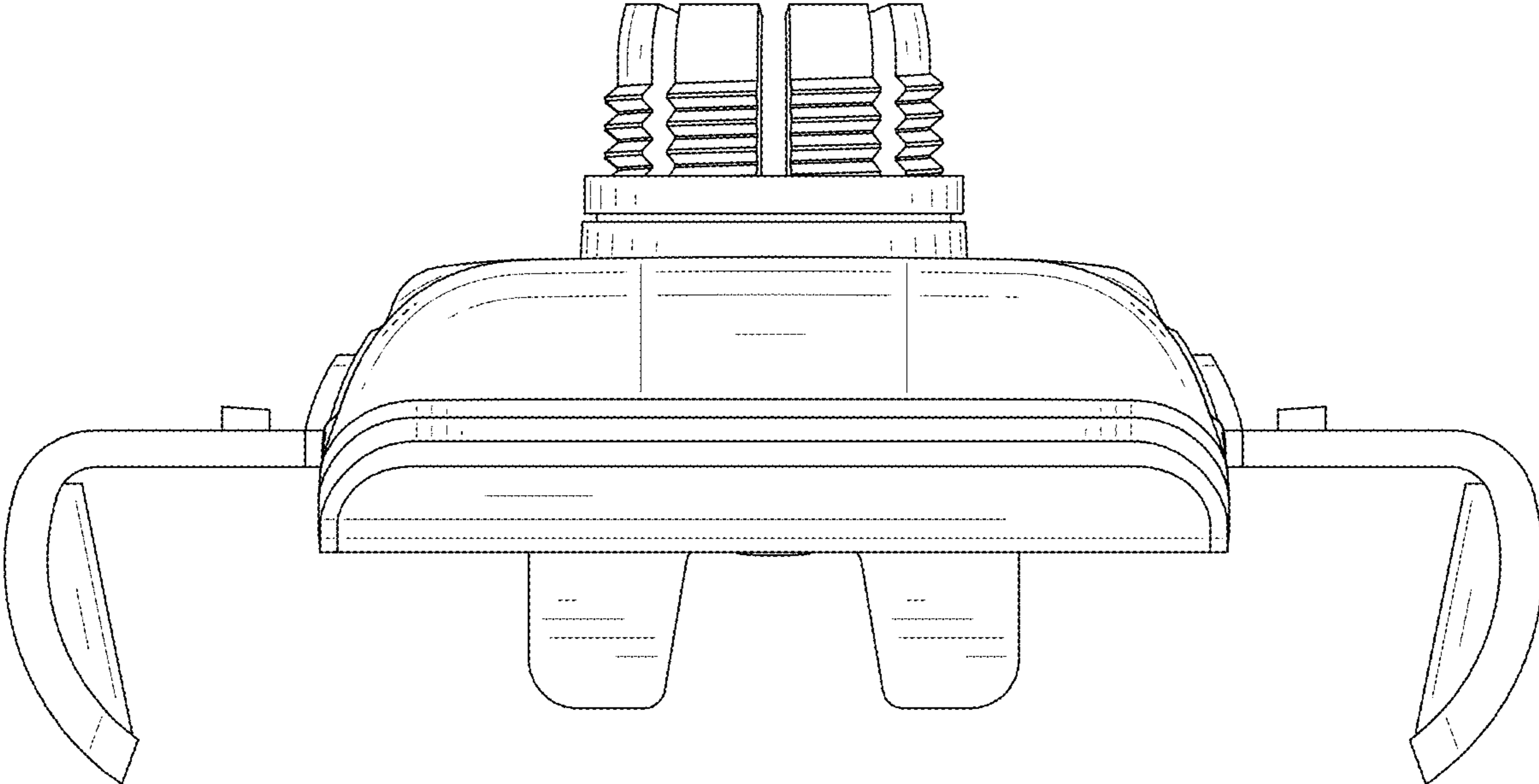


FIG. 7



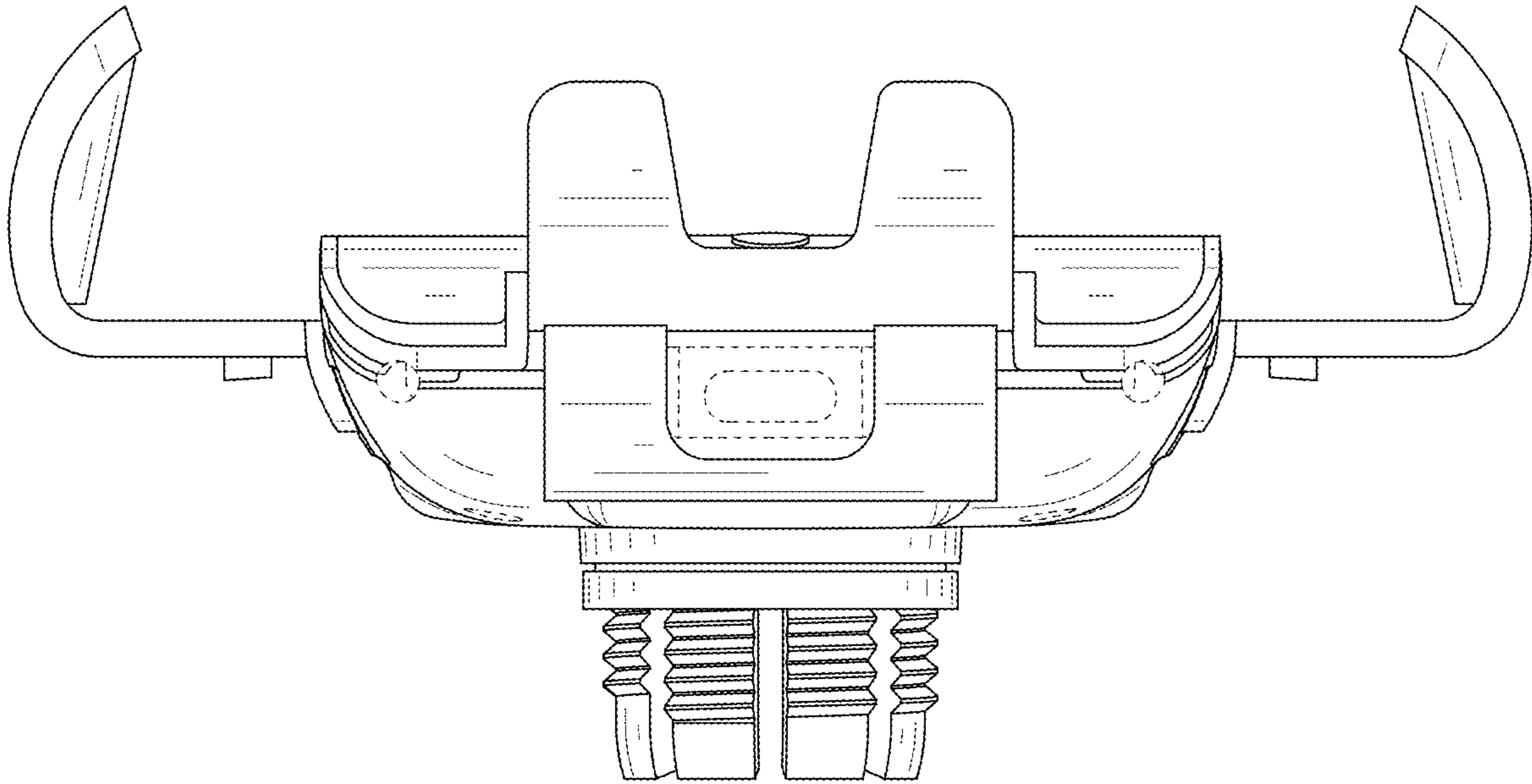


FIG. 8