



US00D955978S

(12) **United States Design Patent**
Wu

(10) **Patent No.:** **US D955,978 S**
(45) **Date of Patent:** **** Jun. 28, 2022**

(54) **PORTABLE CHARGING DEVICE**
(71) Applicant: **Anker Innovations Technology Co. Ltd.**, Changsha (CN)
(72) Inventor: **Jinguan Wu**, Shenzhen (CN)
(73) Assignee: **Anker Innovations Technology Co. Ltd.**, Changsha (CN)
(**) Term: **15 Years**

D842,240 S *	3/2019	Lai	D13/107
D874,395 S *	2/2020	Sun	D13/106
D874,397 S *	2/2020	Sun	D13/107
D881,808 S *	4/2020	Sun	D13/103
D887,357 S *	6/2020	Liao	D13/110
D897,284 S *	9/2020	Sun	D13/103
D916,655 S *	4/2021	Fang	D13/103
D937,207 S *	11/2021	Zhen	D13/103
D938,355 S *	12/2021	Xiong	D13/110
D942,932 S *	2/2022	Yin	D13/107
D944,732 S *	3/2022	Sun	D13/110

* cited by examiner

(21) Appl. No.: **29/755,923**
(22) Filed: **Oct. 23, 2020**
(51) **LOC (13) Cl.** **13-02**
(52) **U.S. Cl.**
USPC **D13/107; D13/103**
(58) **Field of Classification Search**
USPC D13/106–110, 118–119, 184; D14/251,
D14/253, 432, 434
CPC Y02T 90/14; H02J 7/025; H02J 7/0042;
H02J 7/0044; H02J 7/0045; H02J 7/0003;
H02J 7/0034; H02J 7/1423; H01F 38/14;
H01R 13/6675; H01M 10/44; H01M
10/46; H01M 10/425
See application file for complete search history.

Primary Examiner — Nathaniel D. Buckner
(74) *Attorney, Agent, or Firm* — Banner & Witcoff, Ltd.

(57) **CLAIM**

The ornamental design for a portable charging device, as shown and described.

DESCRIPTION

FIG. 1 is a front perspective view of a portable charging device showing my new design;
FIG. 2 is a rear perspective view thereof;
FIG. 3 is a front view thereof;
FIG. 4 is a rear view thereof;
FIG. 5 is a left side view thereof;
FIG. 6 is a right side view thereof;
FIG. 7 is a top view thereof; and,
FIG. 8 is a bottom view thereof.

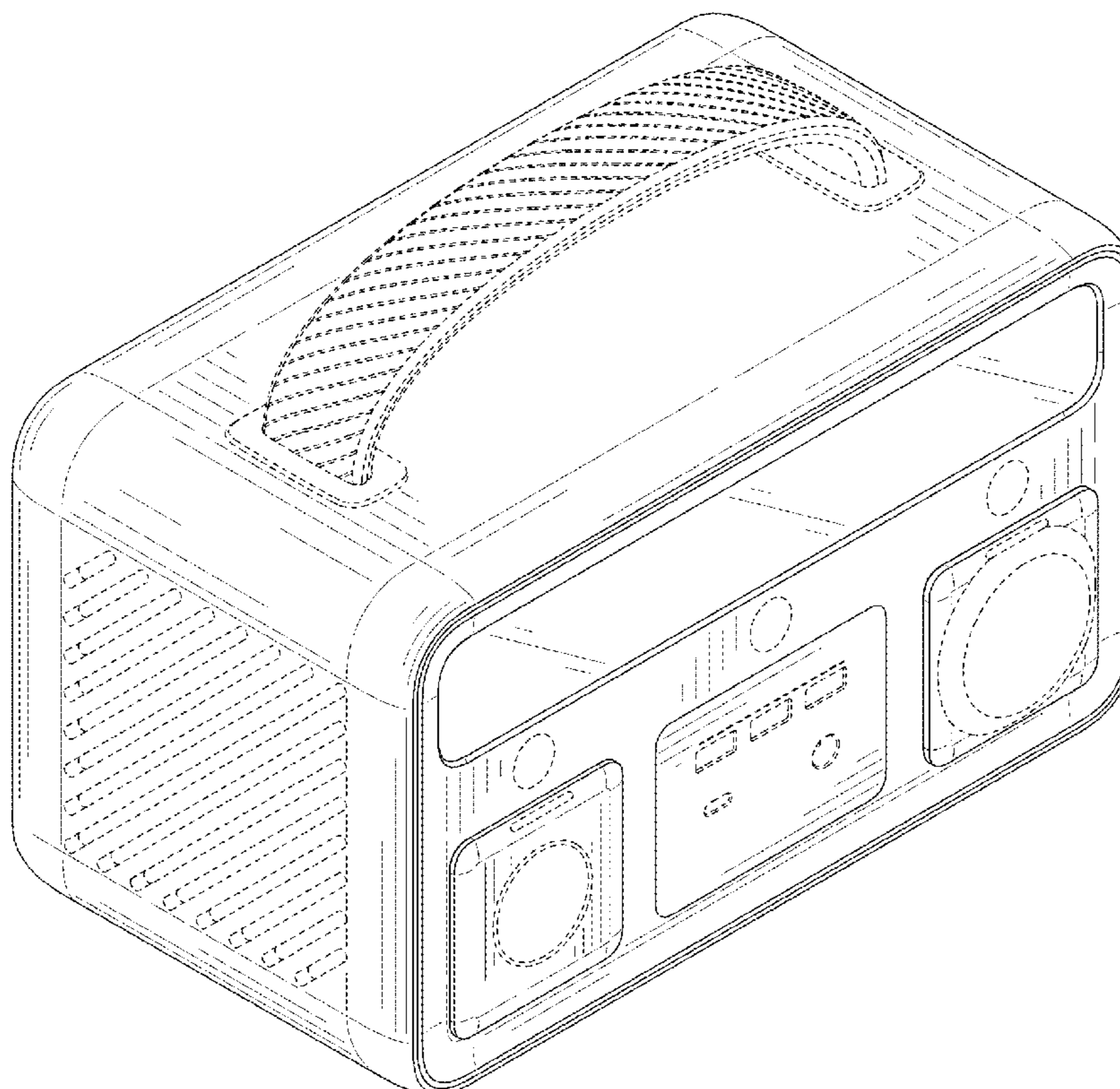
The broken lines in the figures depict portions of the portable charging device which form no part of the claimed design.

(56) **References Cited**

U.S. PATENT DOCUMENTS

D764,403 S *	8/2016	Azuma	D13/103
D815,039 S *	4/2018	Wen	D13/110

1 Claim, 8 Drawing Sheets



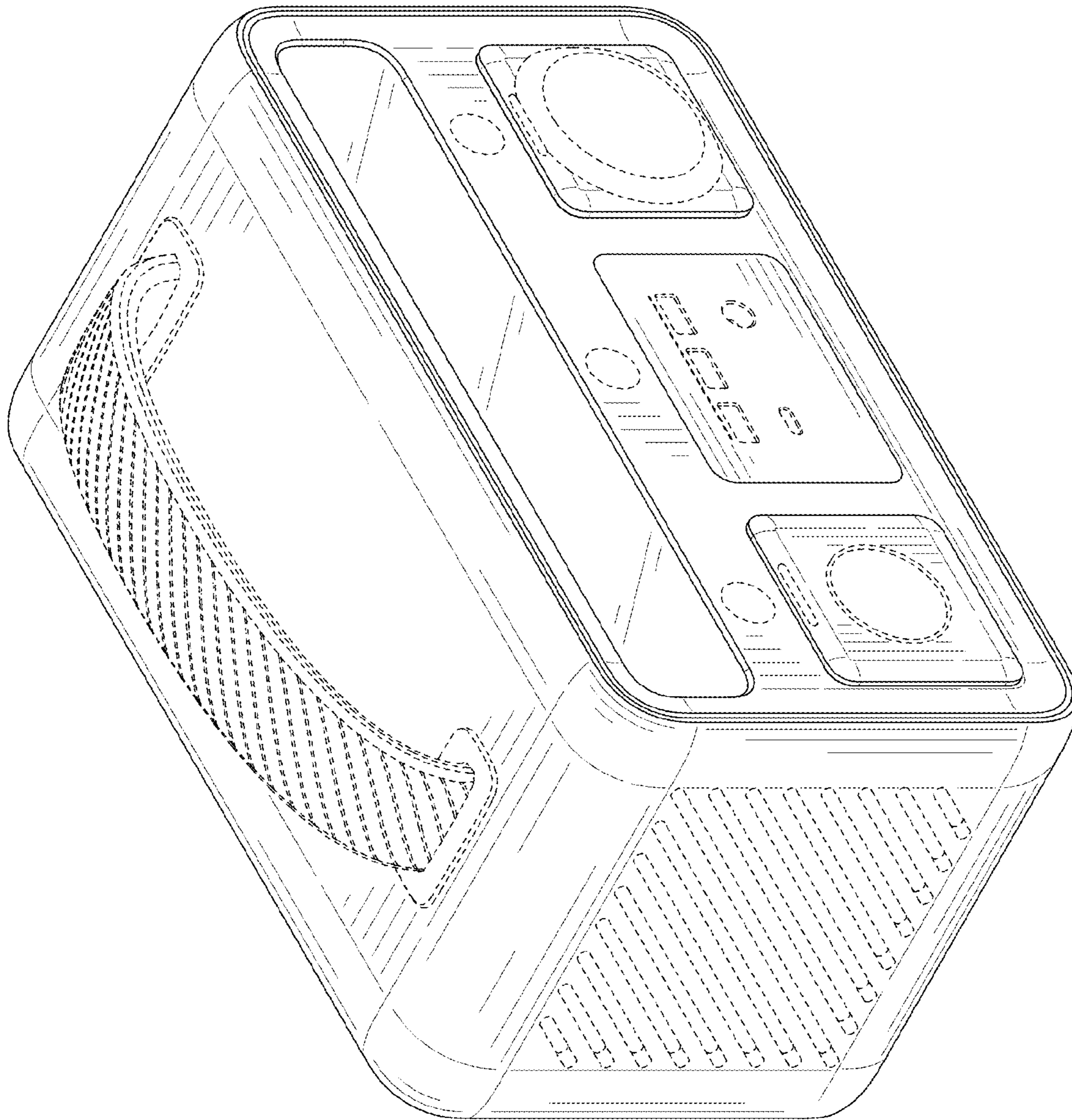


FIG. 1

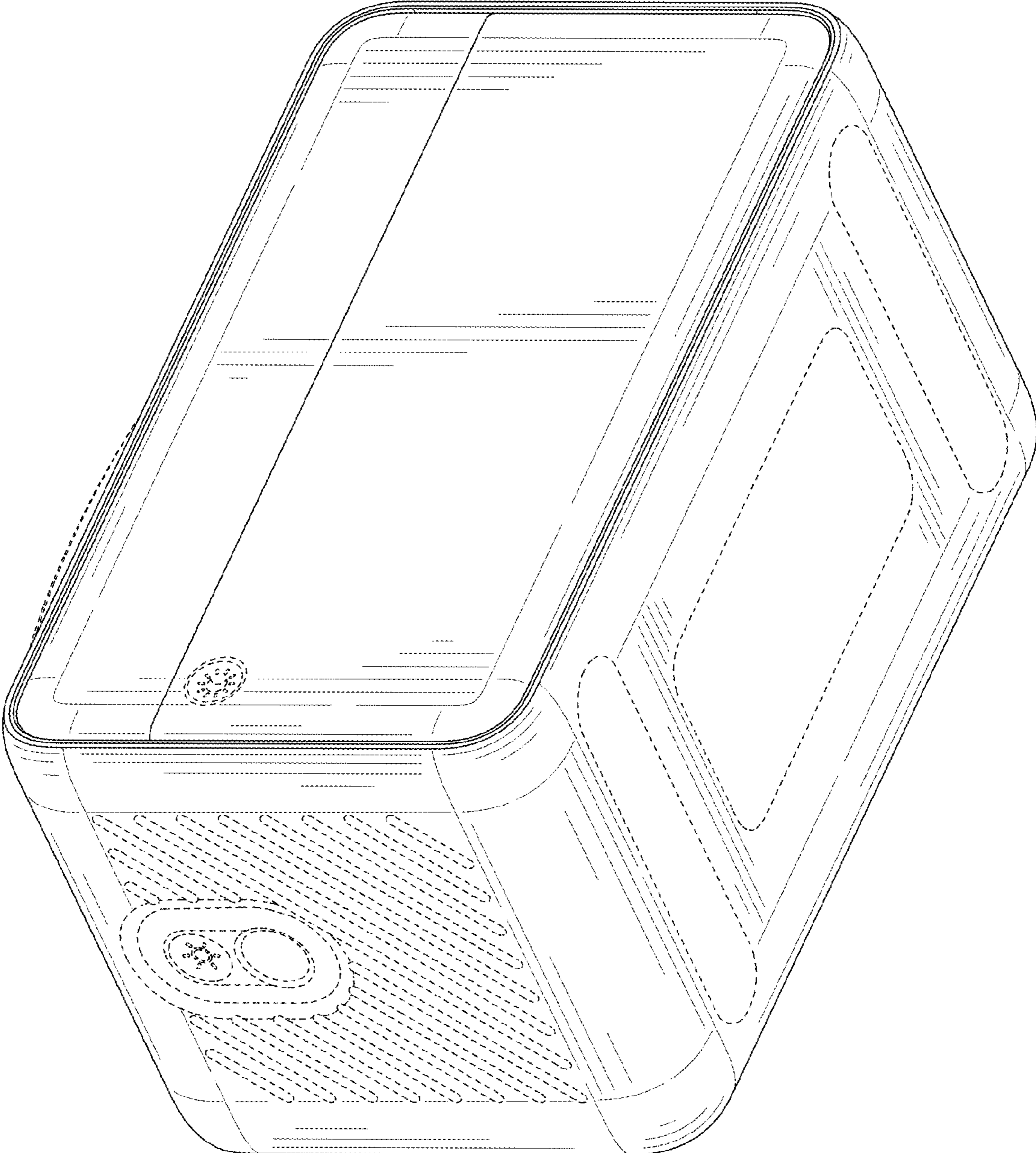


FIG. 2

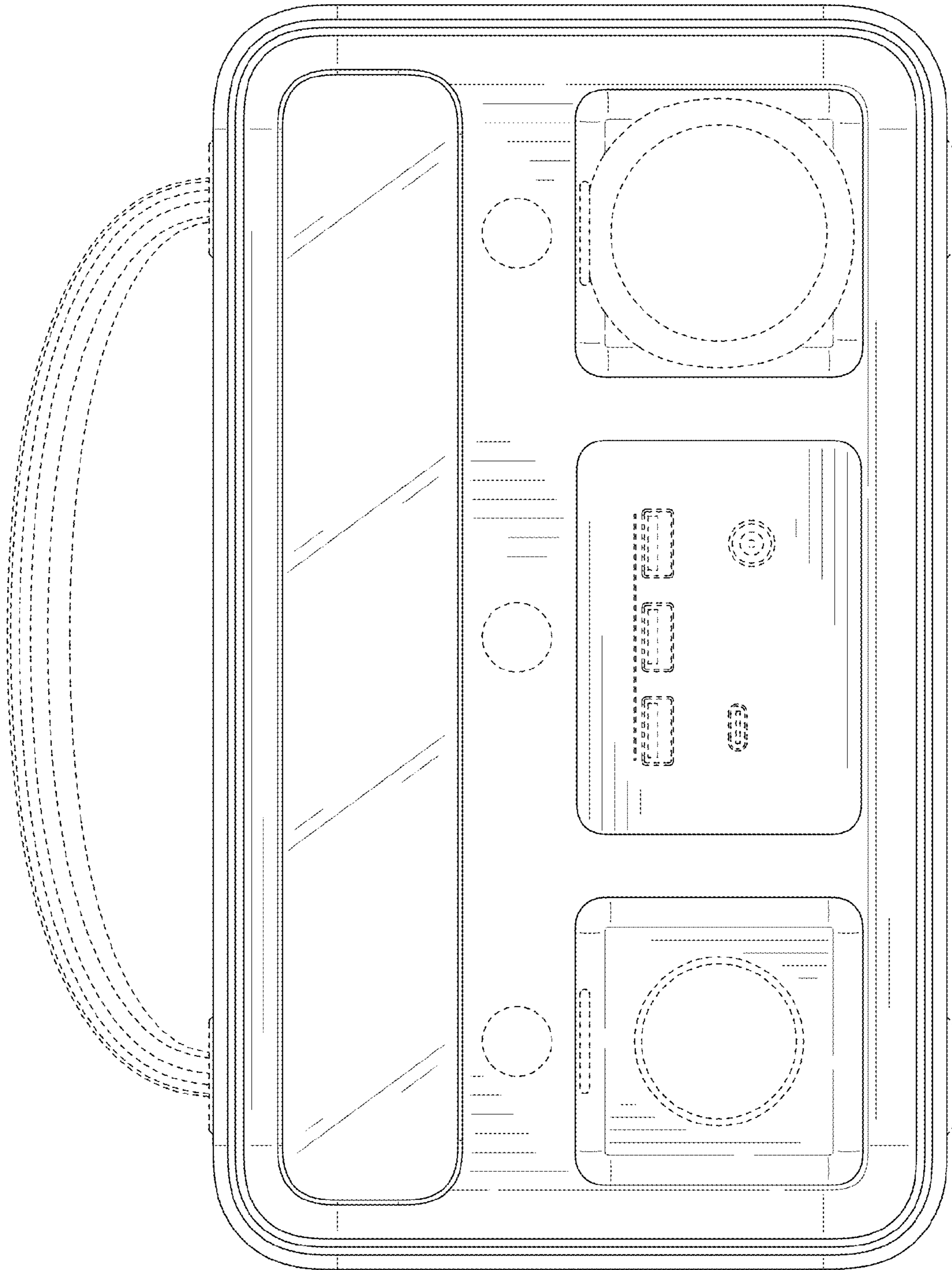


FIG. 3

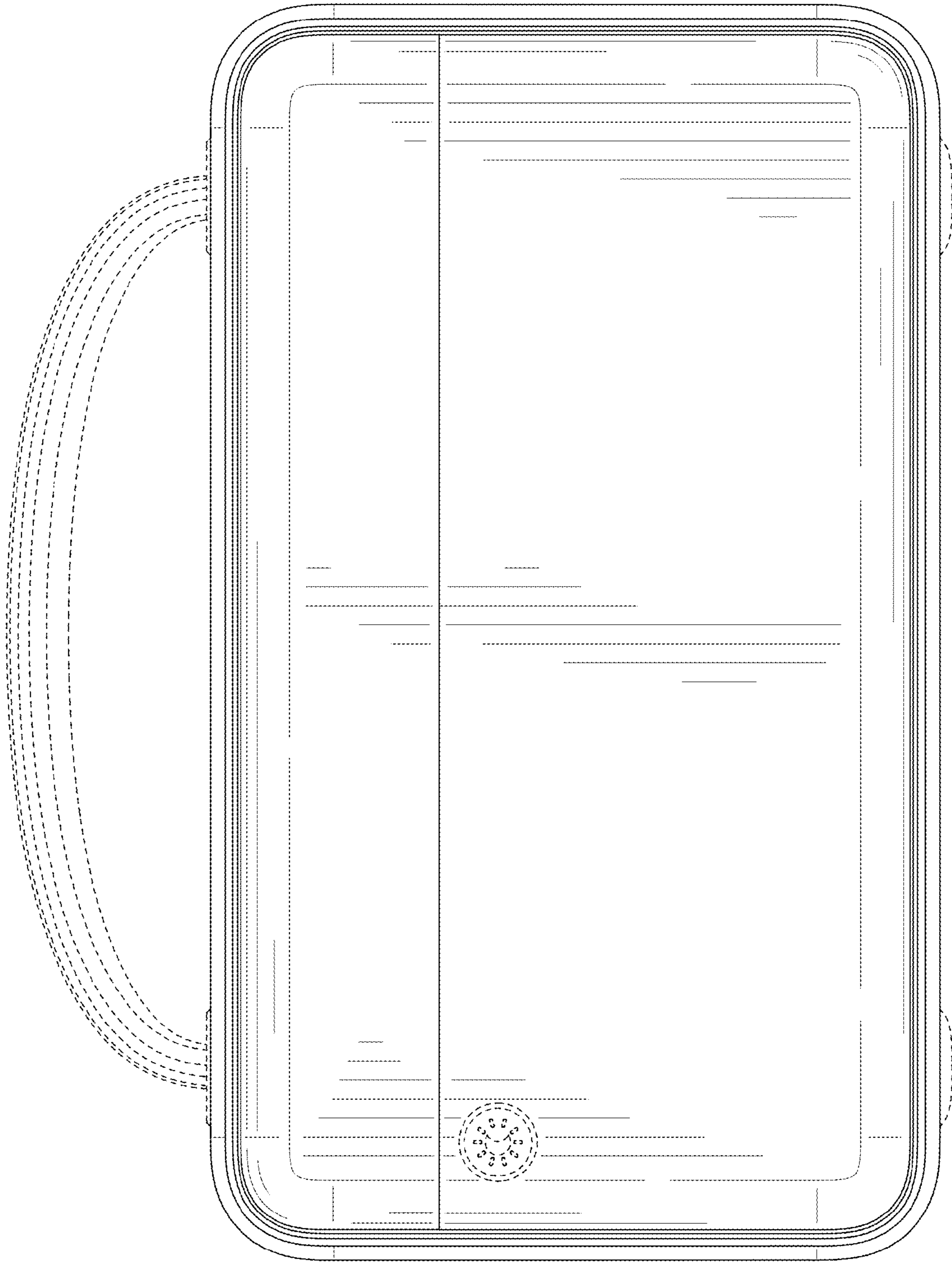


FIG. 4

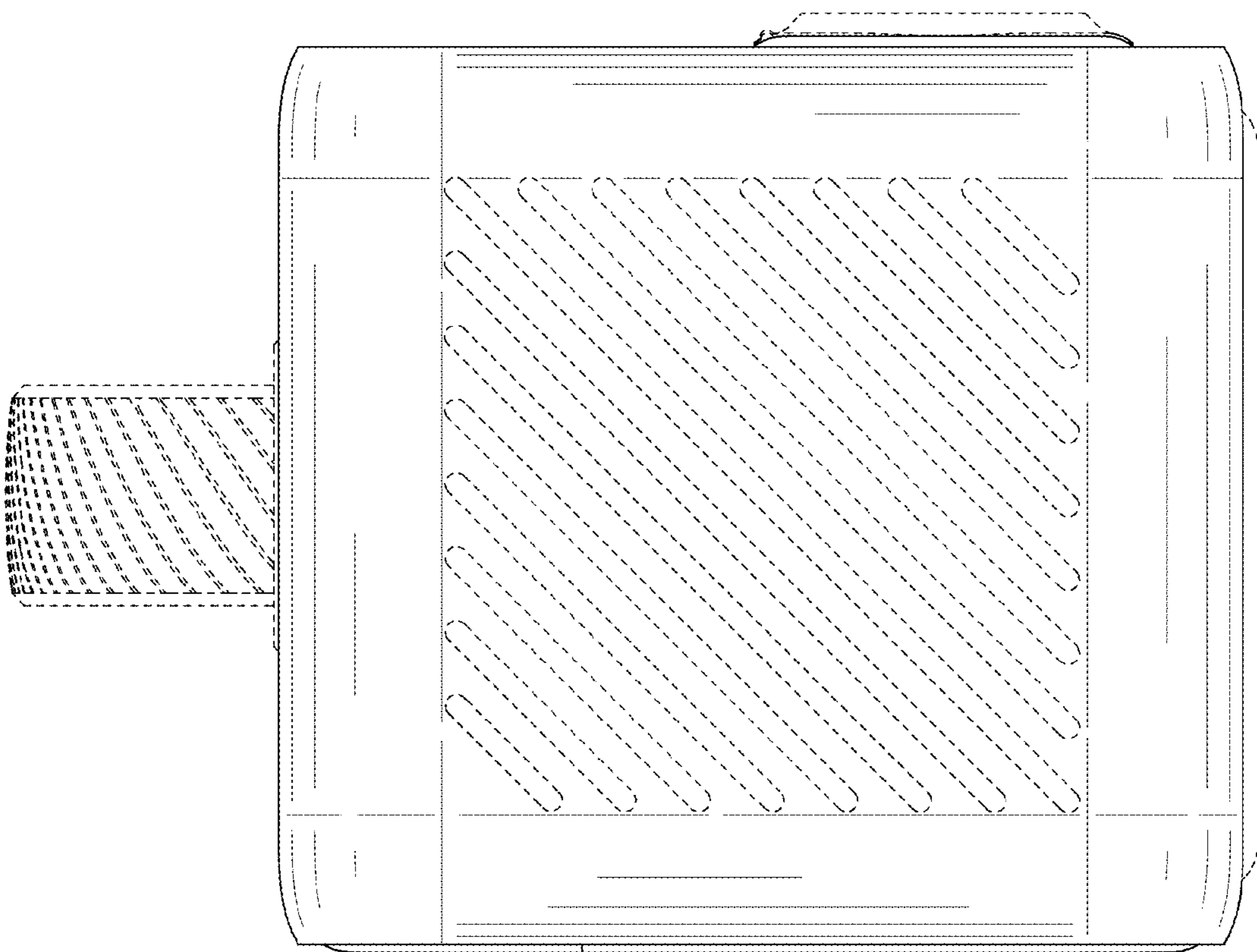


FIG. 5

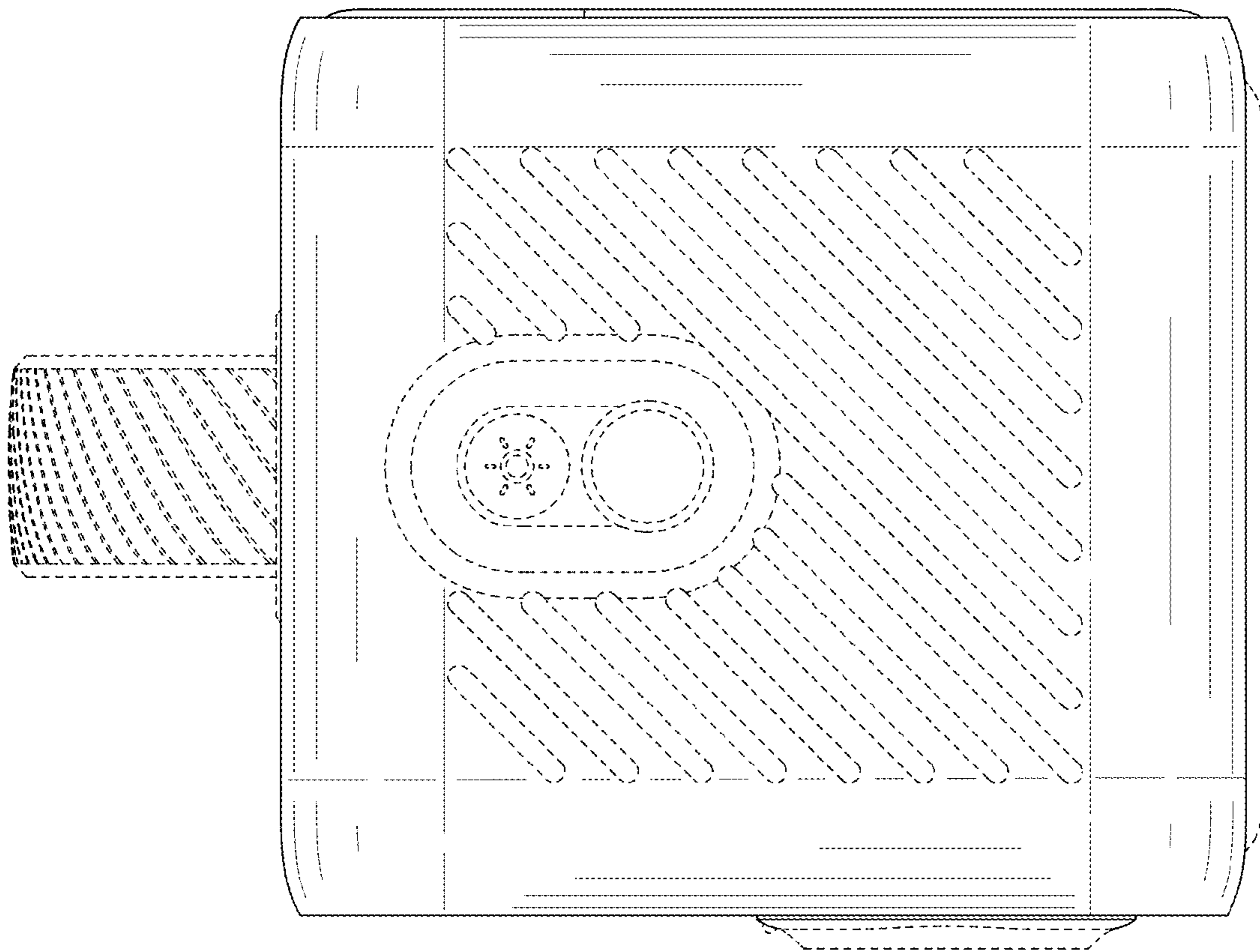


FIG. 6

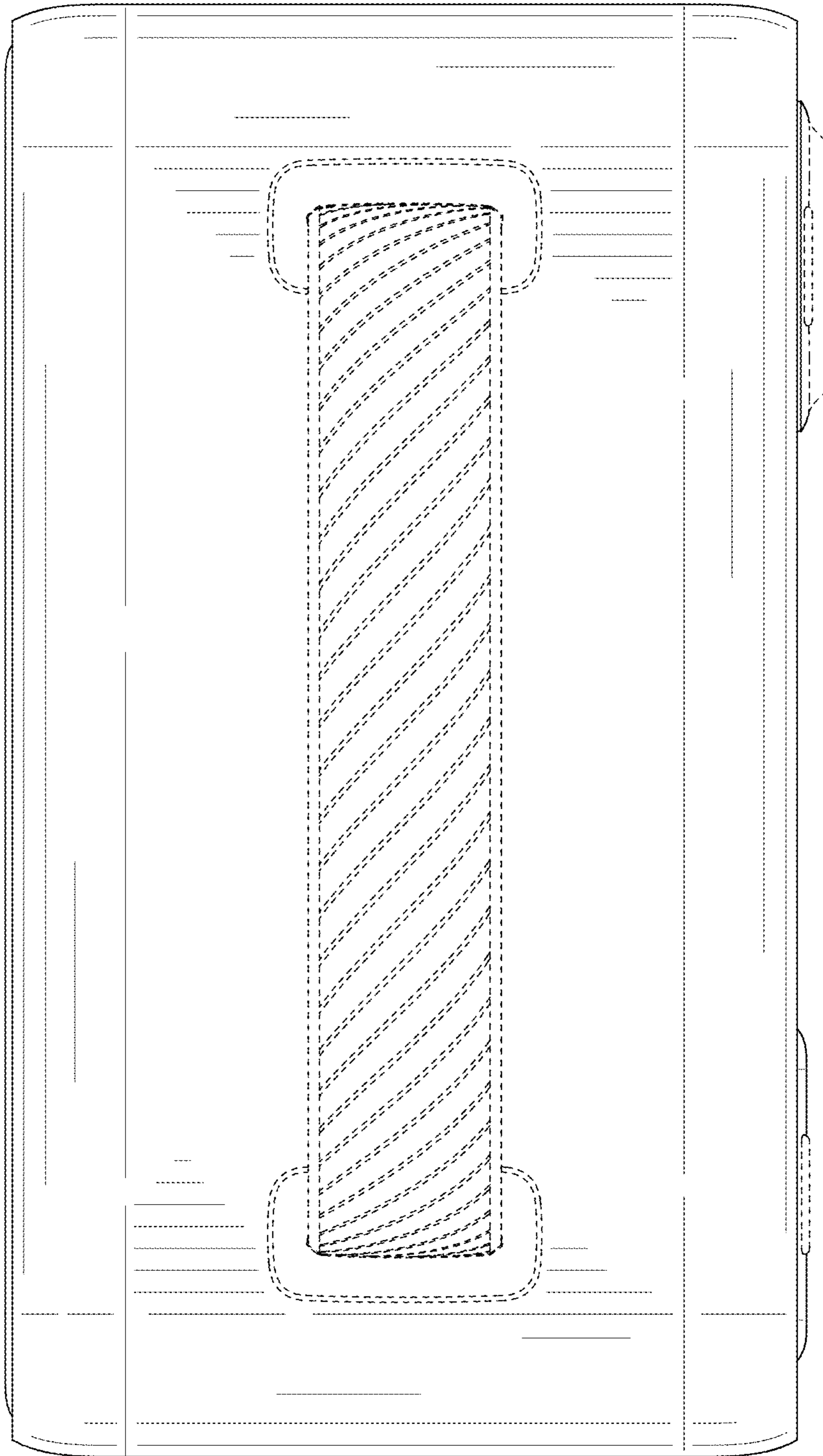


FIG. 7

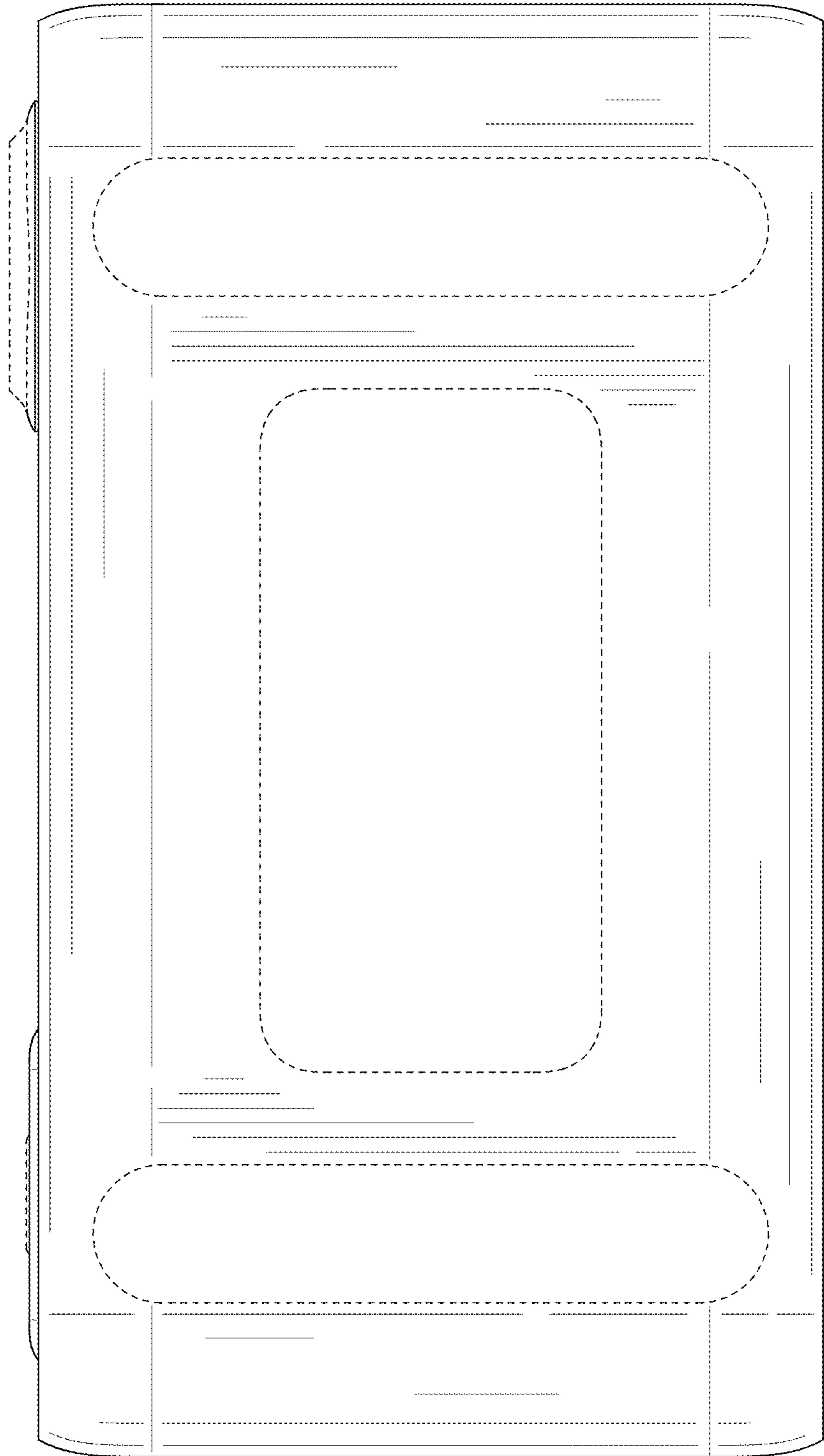


FIG. 8