



US00D955975S

(12) **United States Design Patent**
Fu

(10) **Patent No.:** **US D955,975 S**

(45) **Date of Patent:** **** Jun. 28, 2022**

(54) **BATTERY EXPANSION PACK**

(71) Applicant: **Lion Energy, LLC**, American Fork, UT (US)

(72) Inventor: **Zou Quan Fu**, Huizhou (CN)

(73) Assignee: **Lion Energy, LLC**, American Fork, UT (US)

(**) Term: **15 Years**

(21) Appl. No.: **29/738,156**

(22) Filed: **Jun. 15, 2020**

(51) **LOC (13) Cl.** **13-02**

(52) **U.S. Cl.**
USPC **D13/103**

(58) **Field of Classification Search**

USPC D13/102–106, 107, 108, 118, 199, 110
CPC Y02E 60/12; Y02E 60/122; Y02E 60/124;
Y02E 60/50; H01M 2/02; H01M 2/022;
H01M 2/0207; H01M 2/0212; H01M
2/1061; H01M 2/1022; H01M 2/1055;
H01M 2/1066; H01M 2/105; H01M
2/204; H01M 10/4257; H01M 10/0436;
H01M 10/48

See application file for complete search history.

(56) **References Cited**

U.S. PATENT DOCUMENTS

D664,499 S * 7/2012 Workman D13/107
D828,293 S * 9/2018 Li D13/102

D897,284 S * 9/2020 Sun D13/108
D911,273 S * 2/2021 Sun D13/108
D911,953 S * 3/2021 Yin D13/108
D916,655 S * 4/2021 Fang D13/108
D922,944 S * 6/2021 Fu D13/108
D929,935 S * 9/2021 Yin D13/103
D931,800 S * 9/2021 Fang D13/103
D937,207 S * 11/2021 Zhen D13/103
D940,068 S * 1/2022 Mao D13/103

* cited by examiner

Primary Examiner — Christy Nemeth

(74) *Attorney, Agent, or Firm* — Terrence J. Edwards;
TechLaw Ventures, PLLC

(57) **CLAIM**

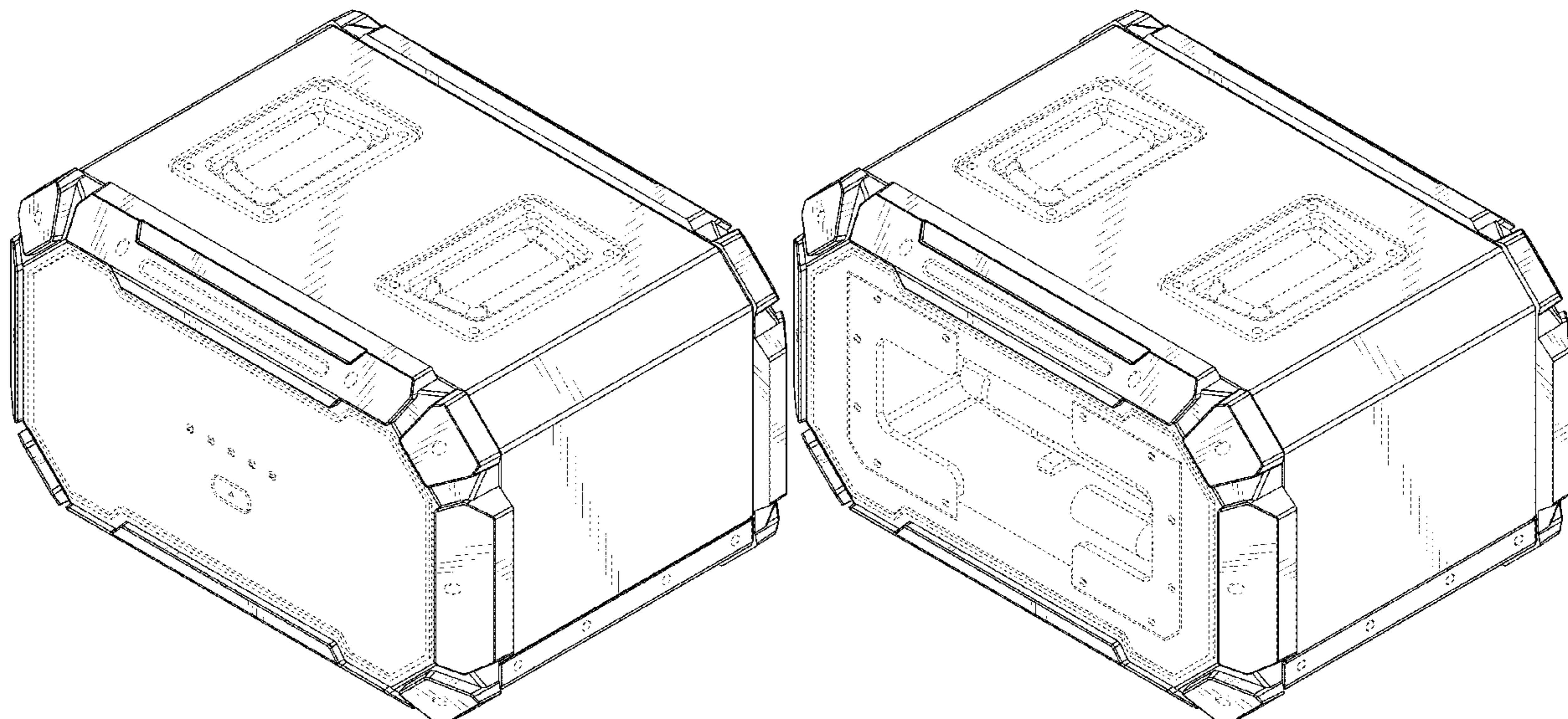
I claim the ornamental design for a battery expansion pack, as shown and described.

DESCRIPTION

FIG. 1 is a front perspective view of a battery expansion pack of my new design;
FIG. 2 is a back perspective view thereof;
FIG. 3 is a front view thereof;
FIG. 4 is a back view thereof;
FIG. 5 is a side view thereof;
FIG. 6 is an opposite side view thereof;
FIG. 7 is a top view thereof; and,
FIG. 8 is a bottom view thereof.

The broken lines in the drawings illustrate portions of the article that form no part of the claim.

1 Claim, 6 Drawing Sheets



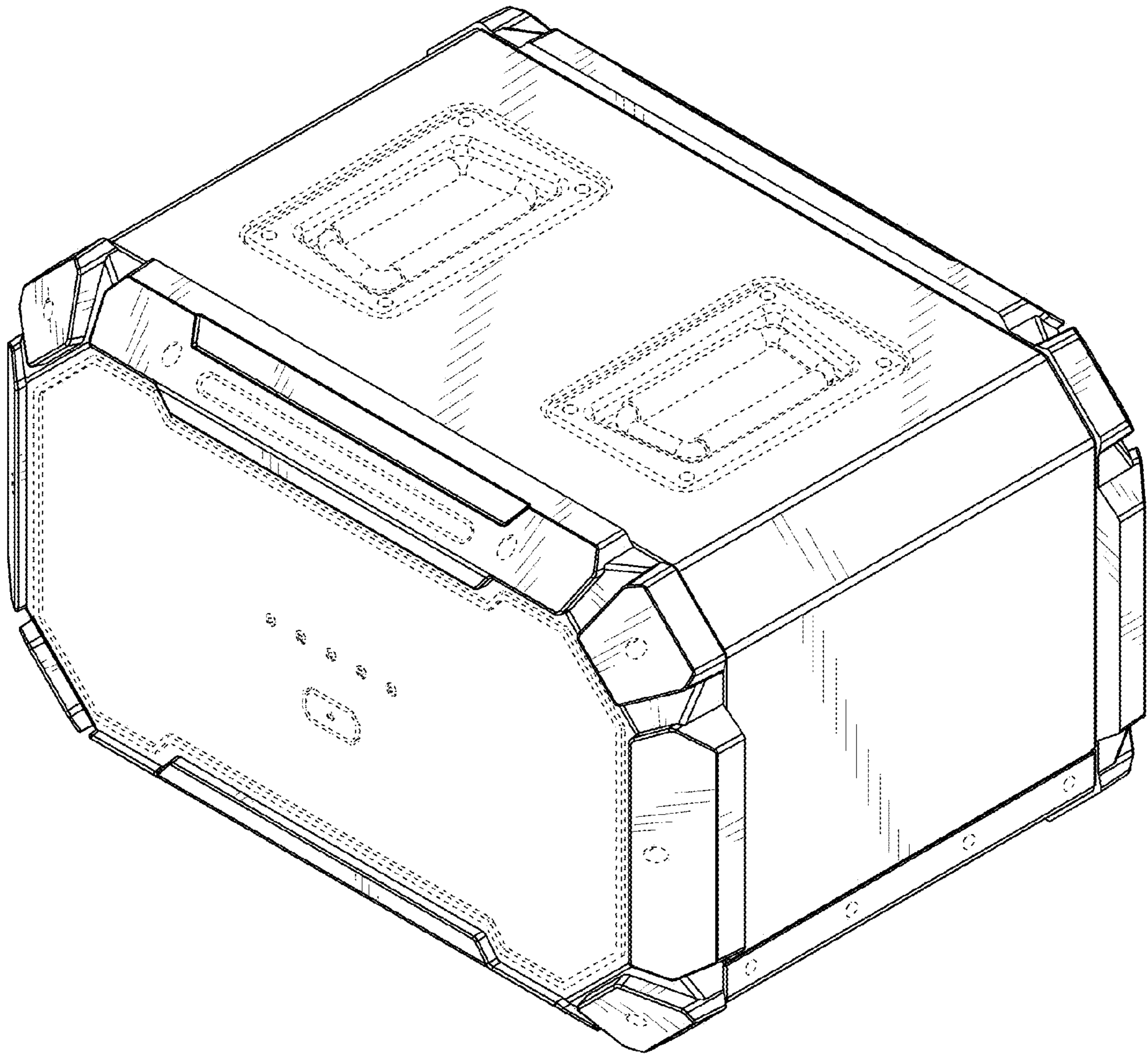


FIG. 1

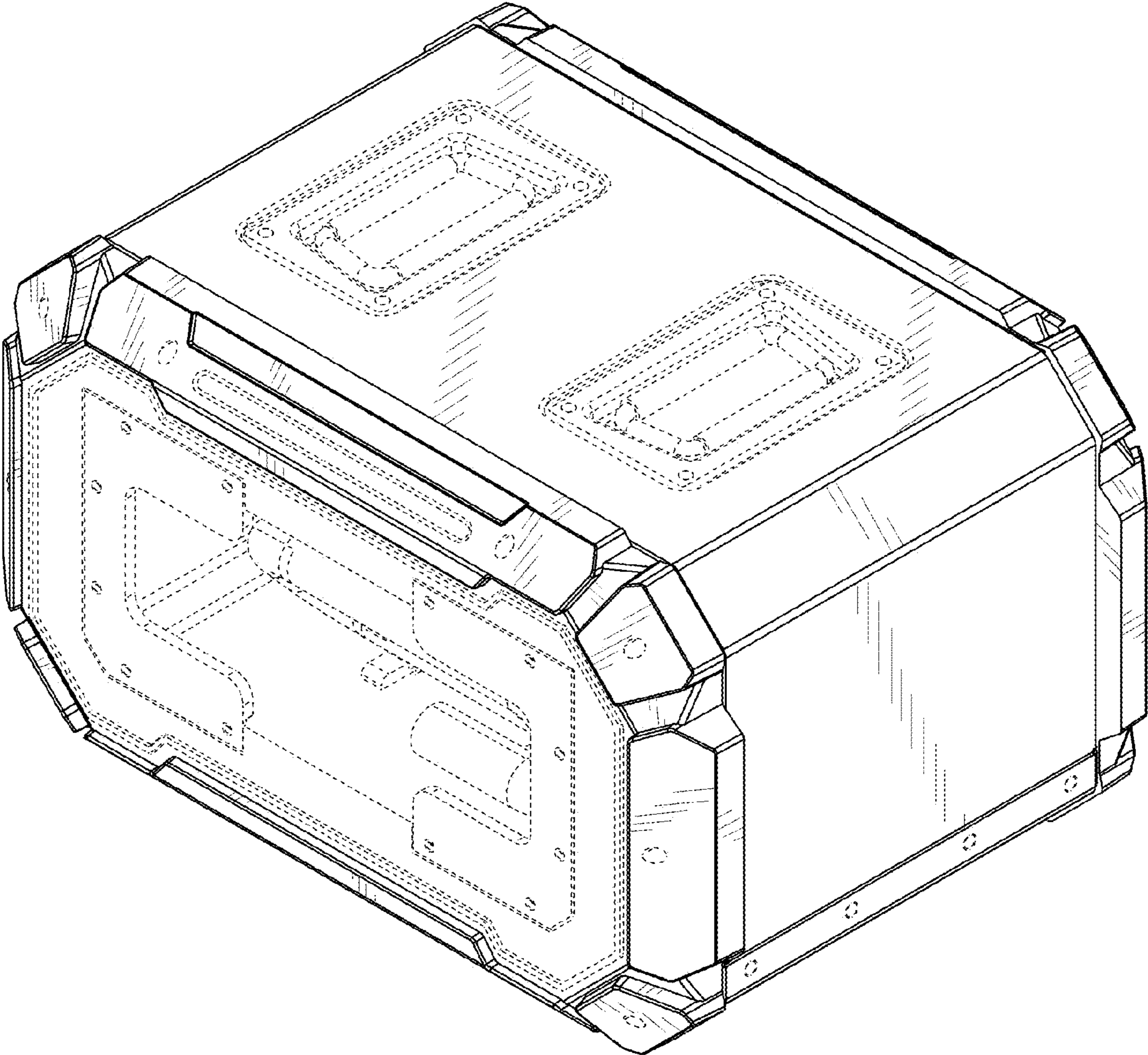


FIG. 2

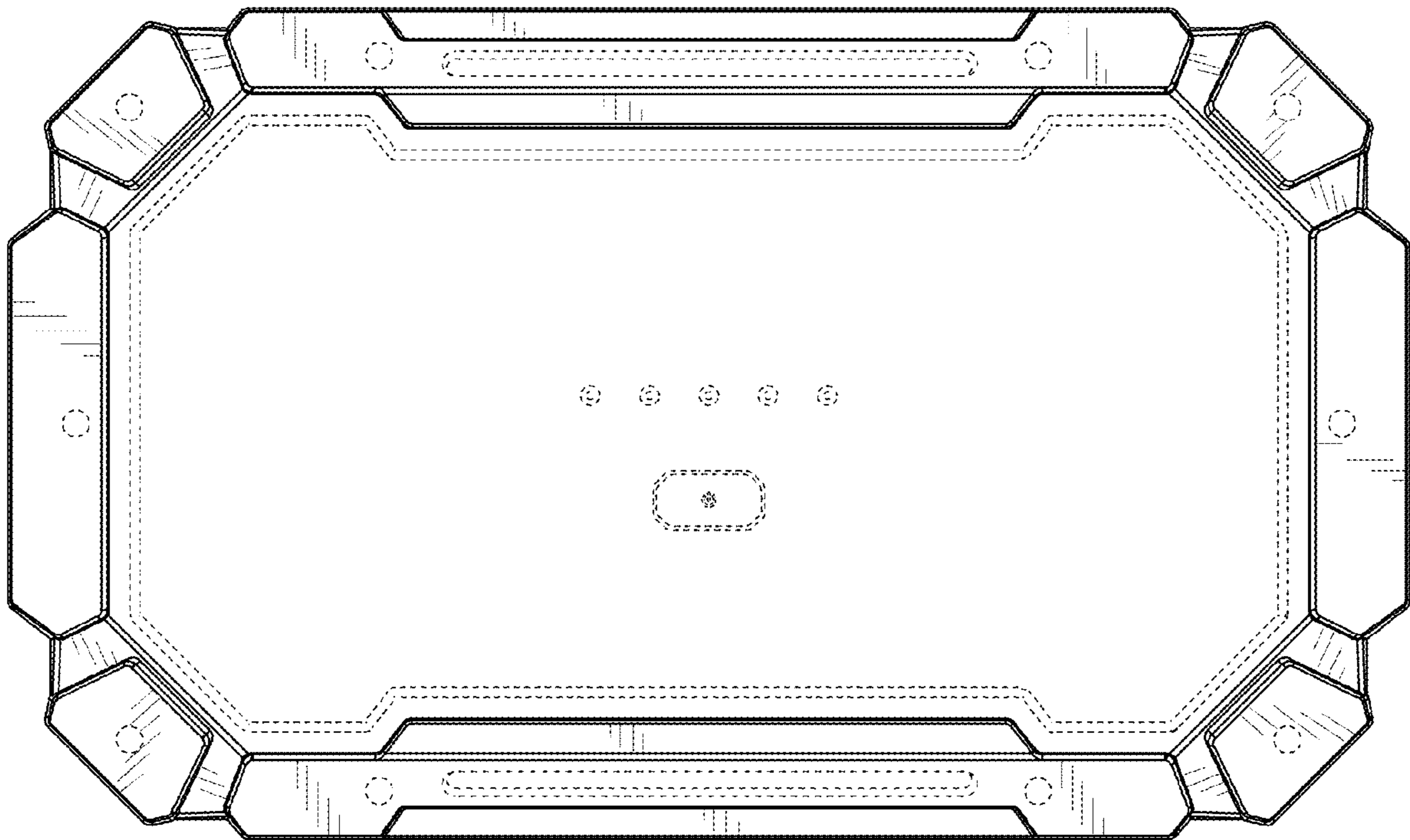


FIG. 3

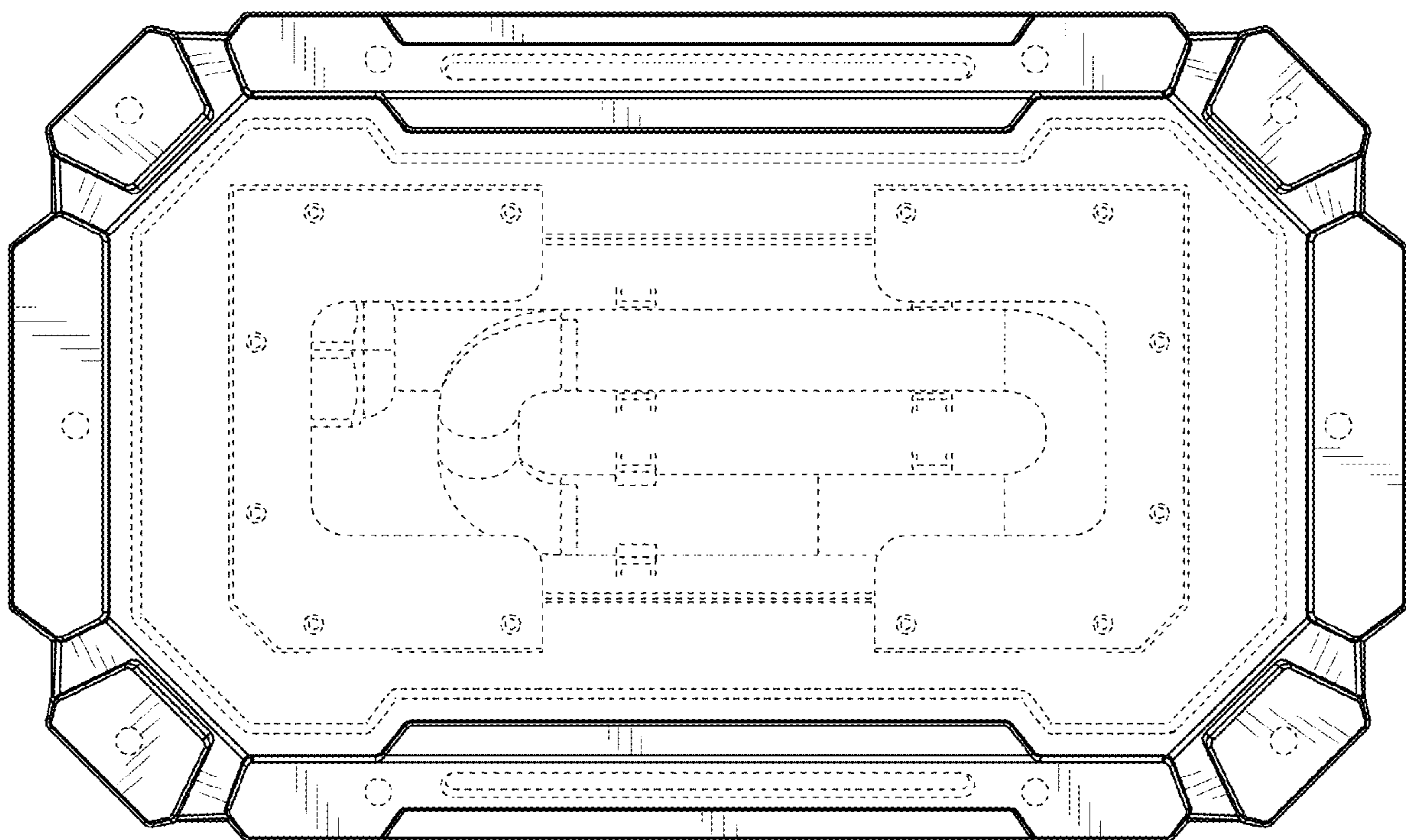


FIG. 4

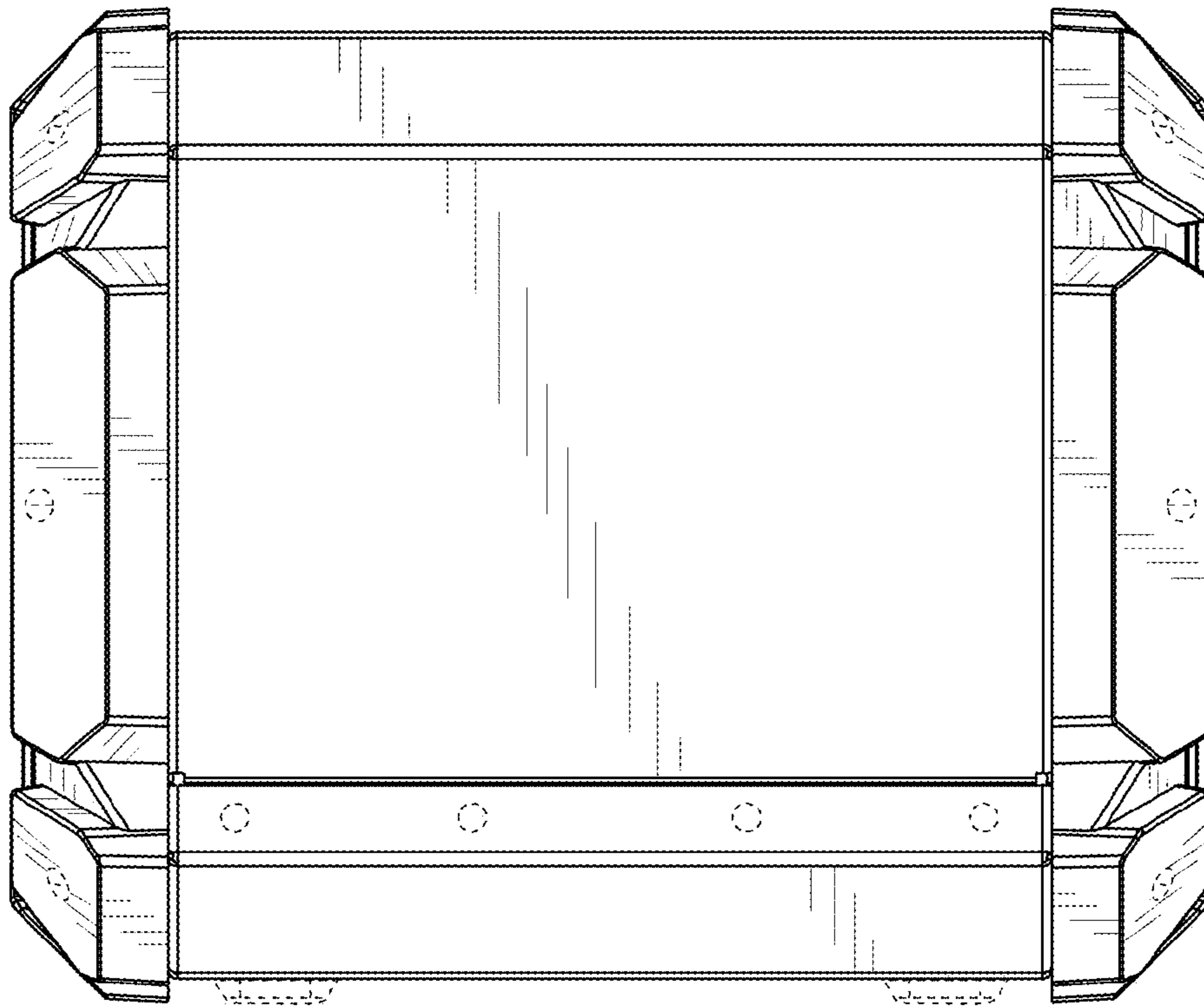


FIG. 5

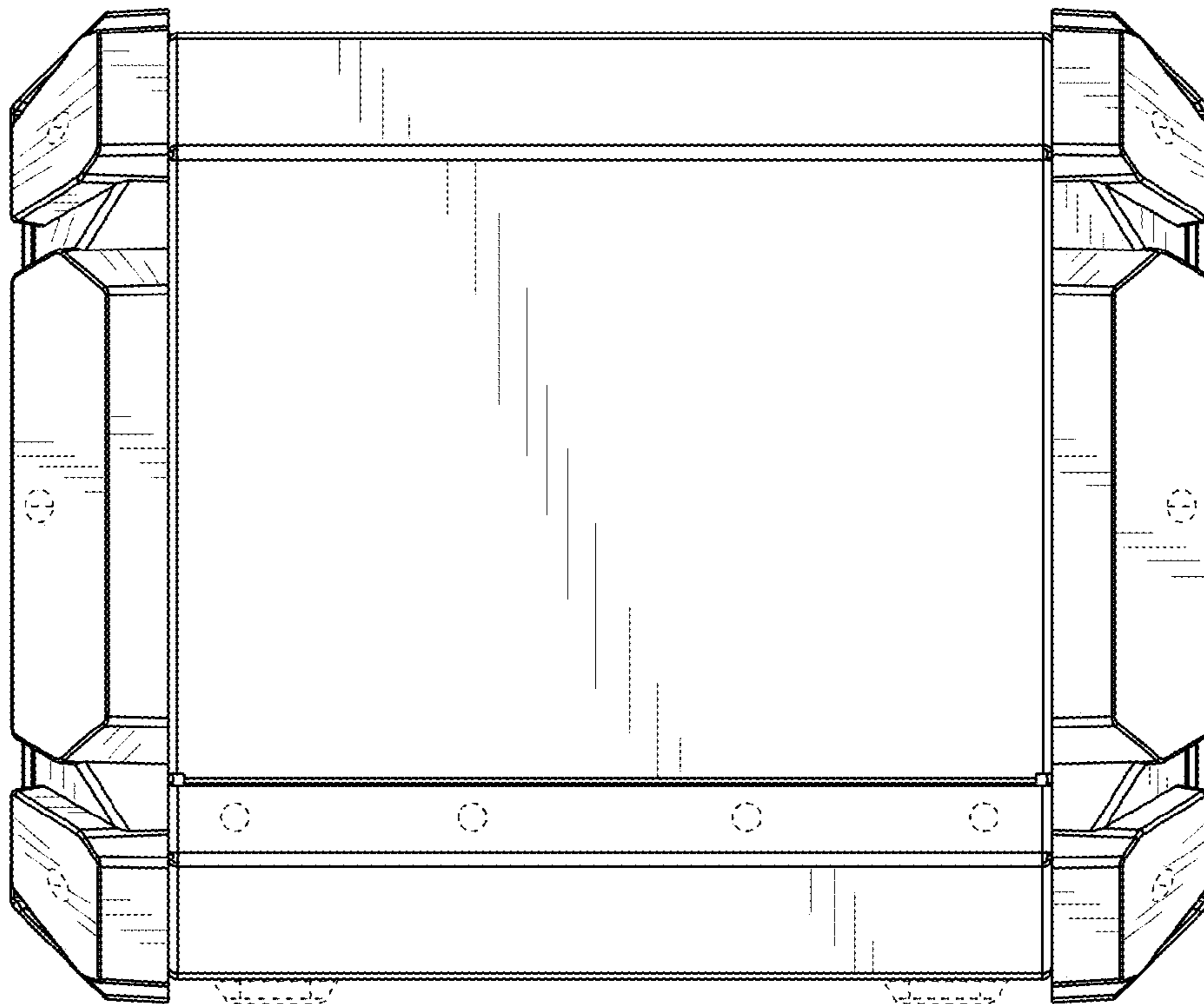


FIG. 6

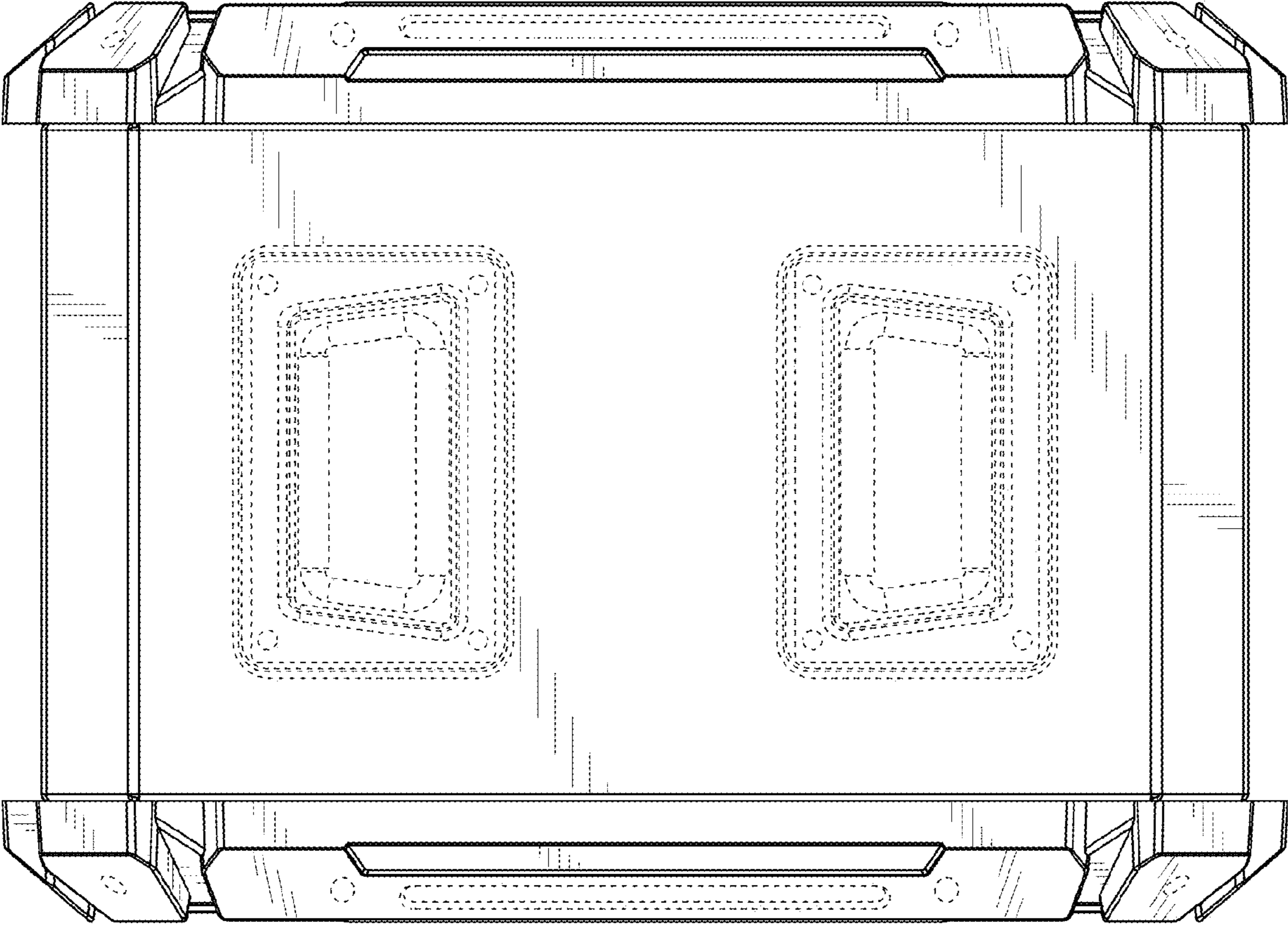


FIG. 7

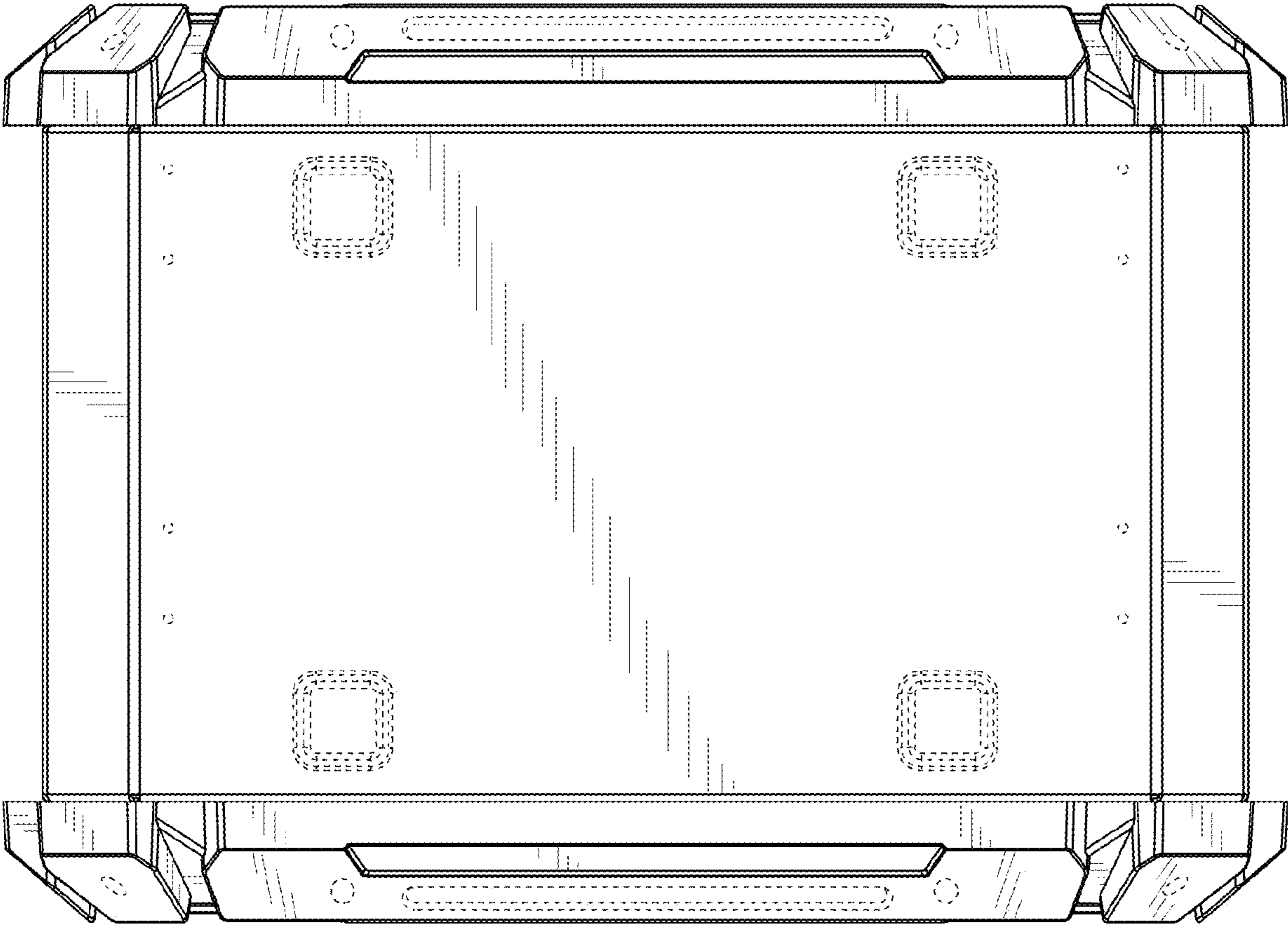


FIG. 8