



US00D955971S

(12) **United States Design Patent**
Liu

(10) **Patent No.:** **US D955,971 S**
(45) **Date of Patent:** **** Jun. 28, 2022**

(54) **BIKE BAG**
(71) Applicant: **Xiaoxing Liu**, Jiangxi (CN)
(72) Inventor: **Xiaoxing Liu**, Jiangxi (CN)
(**) Term: **15 Years**
(21) Appl. No.: **29/762,520**

5,460,303 A * 10/1995 Downs B62J 9/26
224/430
D366,446 S * 1/1996 Berman D3/231
D366,447 S * 1/1996 Berman D3/231
D367,034 S * 2/1996 Berman D3/231
5,496,089 A * 3/1996 Muderlak B62J 9/26
224/427
5,573,163 A * 11/1996 Lee B62J 9/26
224/427
5,862,965 A * 1/1999 Nakahara B62J 9/22
224/419

(22) Filed: **Dec. 17, 2020**
(51) **LOC (13) Cl.** **12-16**
(52) **U.S. Cl.**
USPC **D12/409**
(58) **Field of Classification Search**
USPC D12/409, 410, 407, 114, 111, 110;
D3/231, 273
CPC B62J 9/00; B62J 9/001; B62J 9/20; B62J
9/23; B62J 9/26; B62J 7/00; B62J 7/04;
B62J 11/00
See application file for complete search history.

(Continued)

OTHER PUBLICATIONS

Bike Phone Front Frame Bag—Bicycle Bag Waterproof Top Tube
Cycling Phone Mount Pack Phone Case for 6.5" iPhone Plus xs
max; Feb. 27, 2019; <https://www.amazon.com/Bike-Bicycle-Phone-Bags-Waterproof/dp/B07PB93ZQJ>; 4Pgs. (Year: 2019).
(Continued)

Primary Examiner — Michelle E. Wilson
Assistant Examiner — Clese Moore, Jr.

(56) **References Cited**
U.S. PATENT DOCUMENTS

D271,758 S * 12/1983 Ervin D12/410
D279,369 S * 6/1985 Van Vlandren D3/905
4,566,617 A * 1/1986 Jackson B62J 9/26
224/427
4,643,343 A * 2/1987 Goldman B62J 9/26
224/427
D307,733 S * 5/1990 Kushitani D12/409
D322,591 S * 12/1991 Van Vlandren D12/410
5,127,563 A * 7/1992 Chan B62J 9/26
224/438
5,190,345 A * 3/1993 Lin B62J 9/26
224/427
D336,740 S * 6/1993 Graf D12/409
D339,095 S * 9/1993 Anderson D12/409
D340,218 S * 10/1993 Delage D12/423
D346,144 S * 4/1994 Katz D12/409
D346,572 S * 5/1994 Honey D12/410
D347,819 S * 6/1994 Katz D12/410

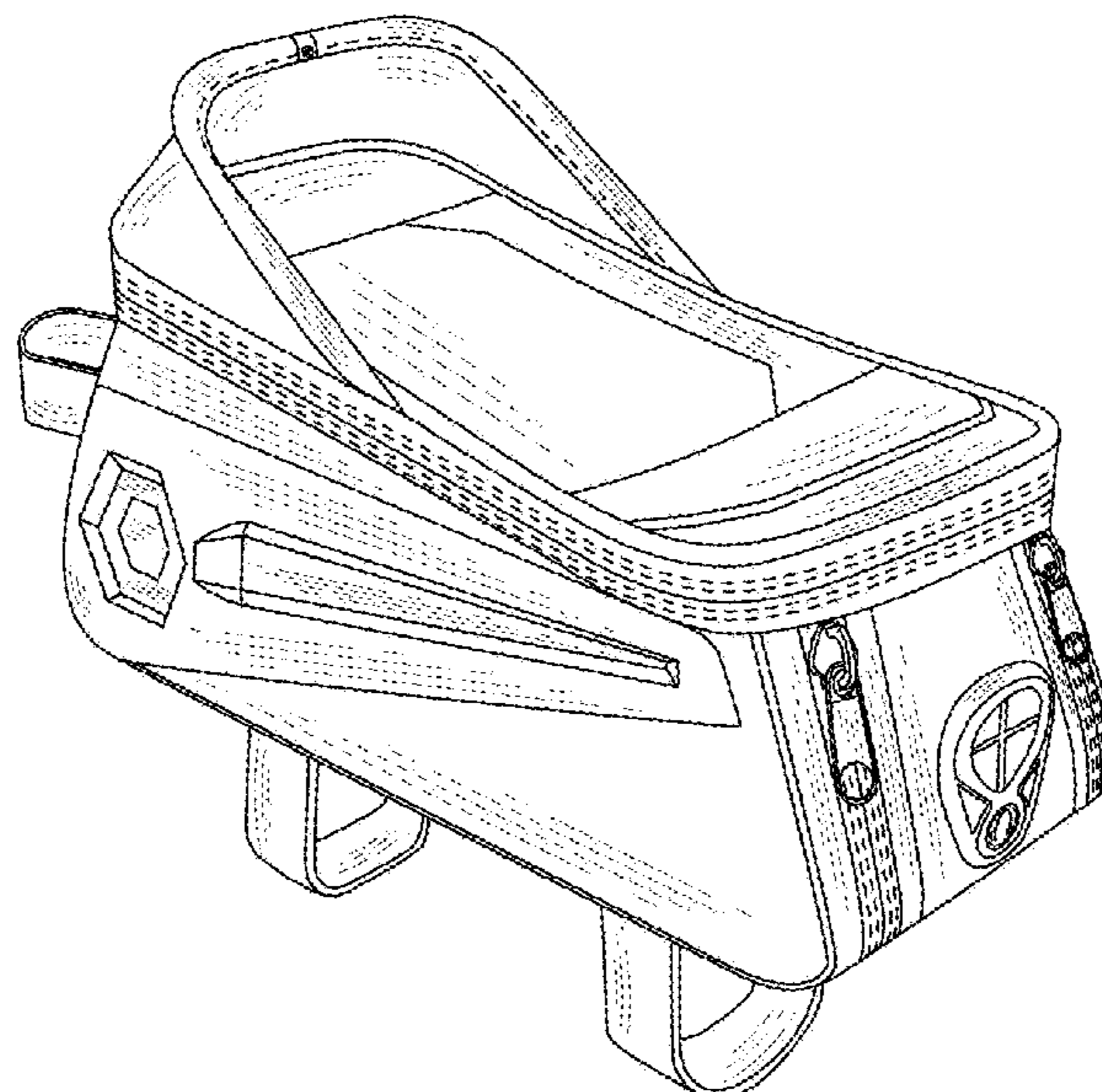
(57) **CLAIM**

The ornamental design for a bike bag, as shown and described.

DESCRIPTION

FIG. 1 is a perspective view of a bike bag showing my new design;
FIG. 2 is a front elevation view thereof;
FIG. 3 is a rear elevation view thereof;
FIG. 4 is a left side elevation view thereof;
FIG. 5 is a right side elevation view thereof;
FIG. 6 is a top plan view thereof; and,
FIG. 7 is a bottom plan view thereof.
The broken lines shown in the drawings depict stitching which forms part of the claimed design.

1 Claim, 7 Drawing Sheets



(56)

References Cited

U.S. PATENT DOCUMENTS

D696,180 S * 12/2013 Boyd D12/410
D760,148 S * 6/2016 Zwetzig D3/273
9,840,295 B1 * 12/2017 Chuang B62J 9/26
D869,844 S * 12/2019 Eliyahu D3/294
2010/0012696 A1 * 1/2010 Prager B62J 9/22
224/463

OTHER PUBLICATIONS

Bike Phone Front Frame Bag Bicycle Bag Waterproof Bike Phone
Mount Top Tube Bag Bike Phone Case Holder Accessories Cycling
Pouch Compatible with iPhone 11 XS Max XR Fit 6.5"; Jan. 1,
2018; <https://www.amazon.com/>; 5Pgs. (Year: 2018).*

* cited by examiner

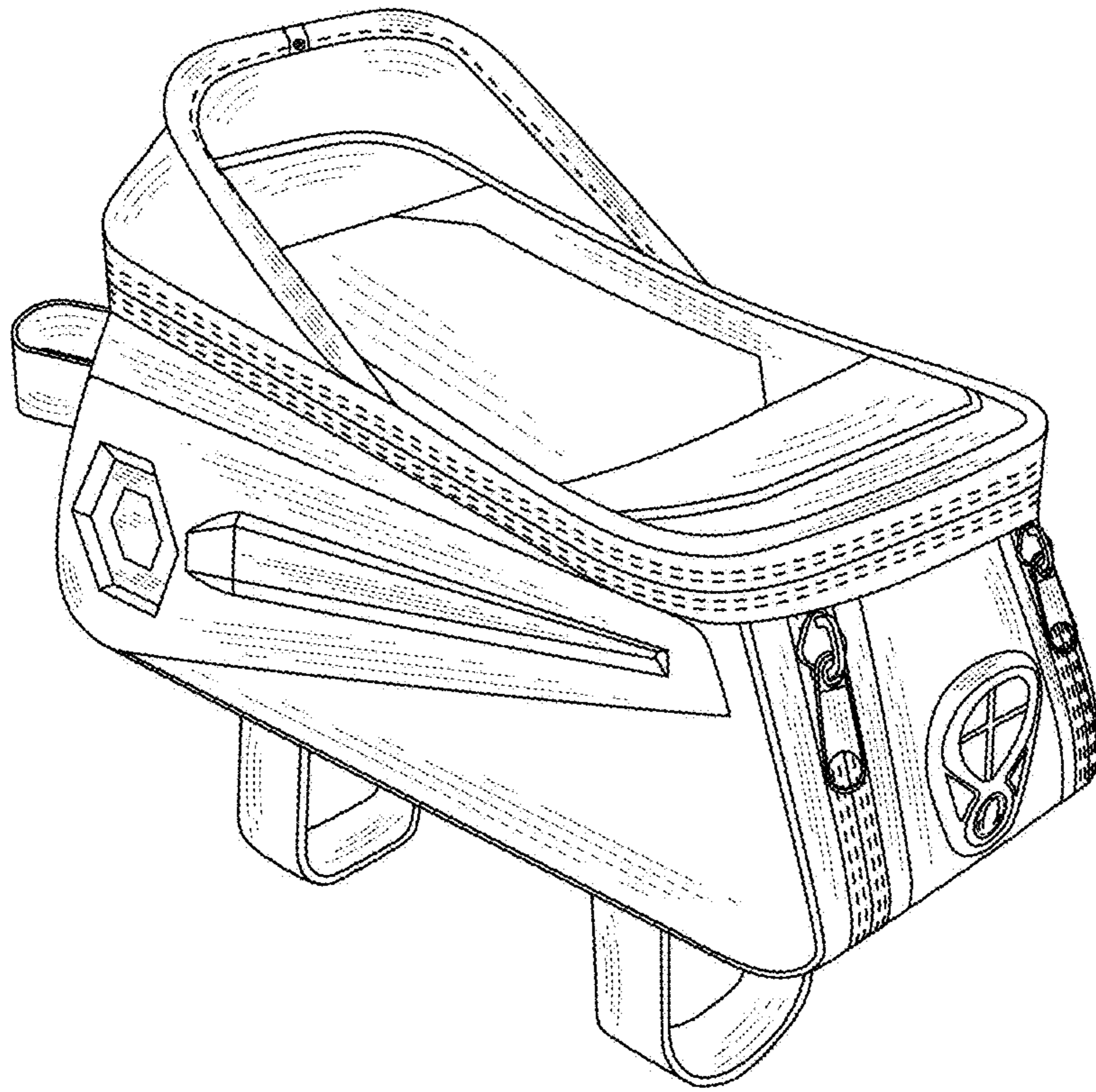


FIG. 1

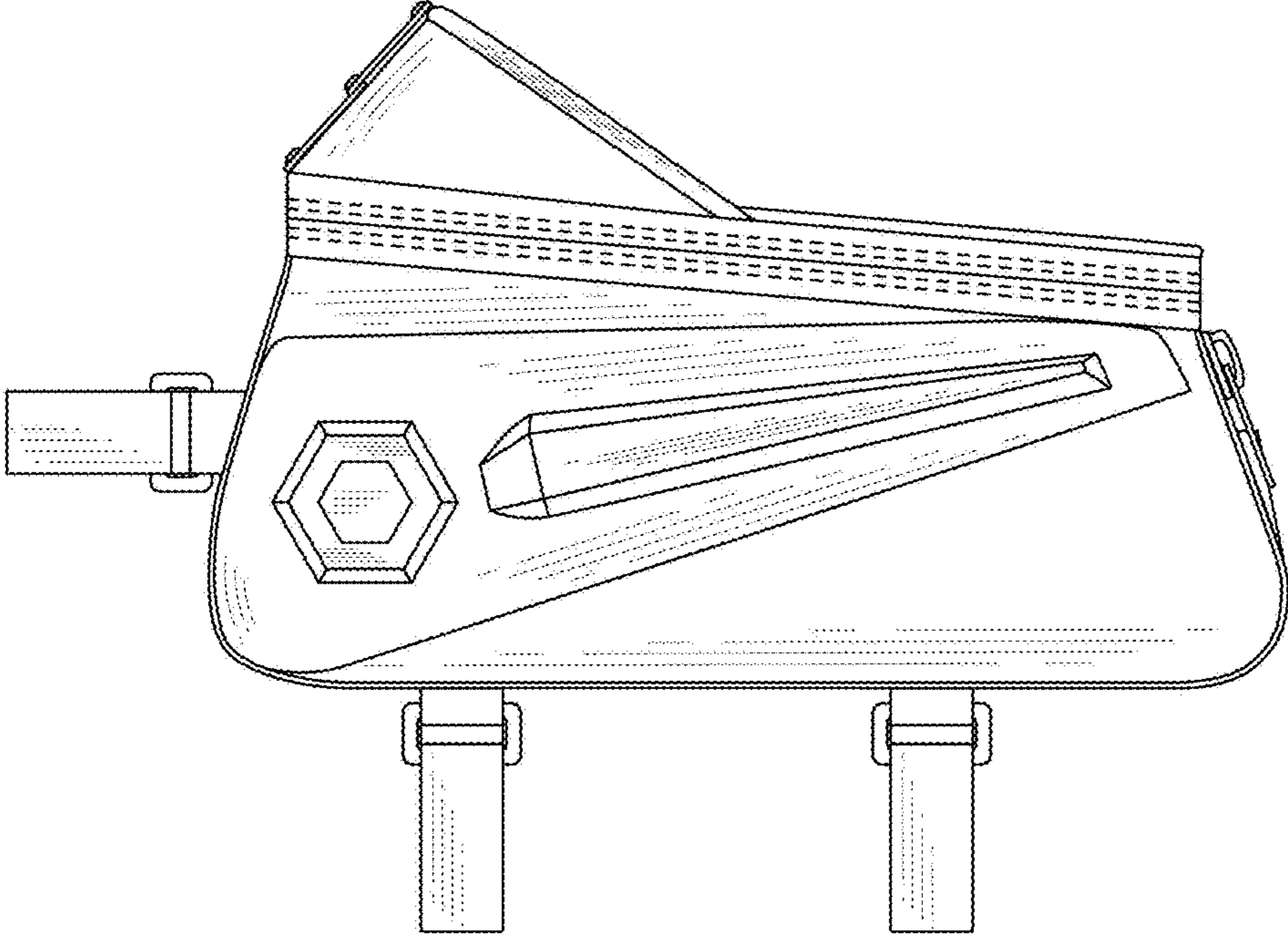


FIG. 2

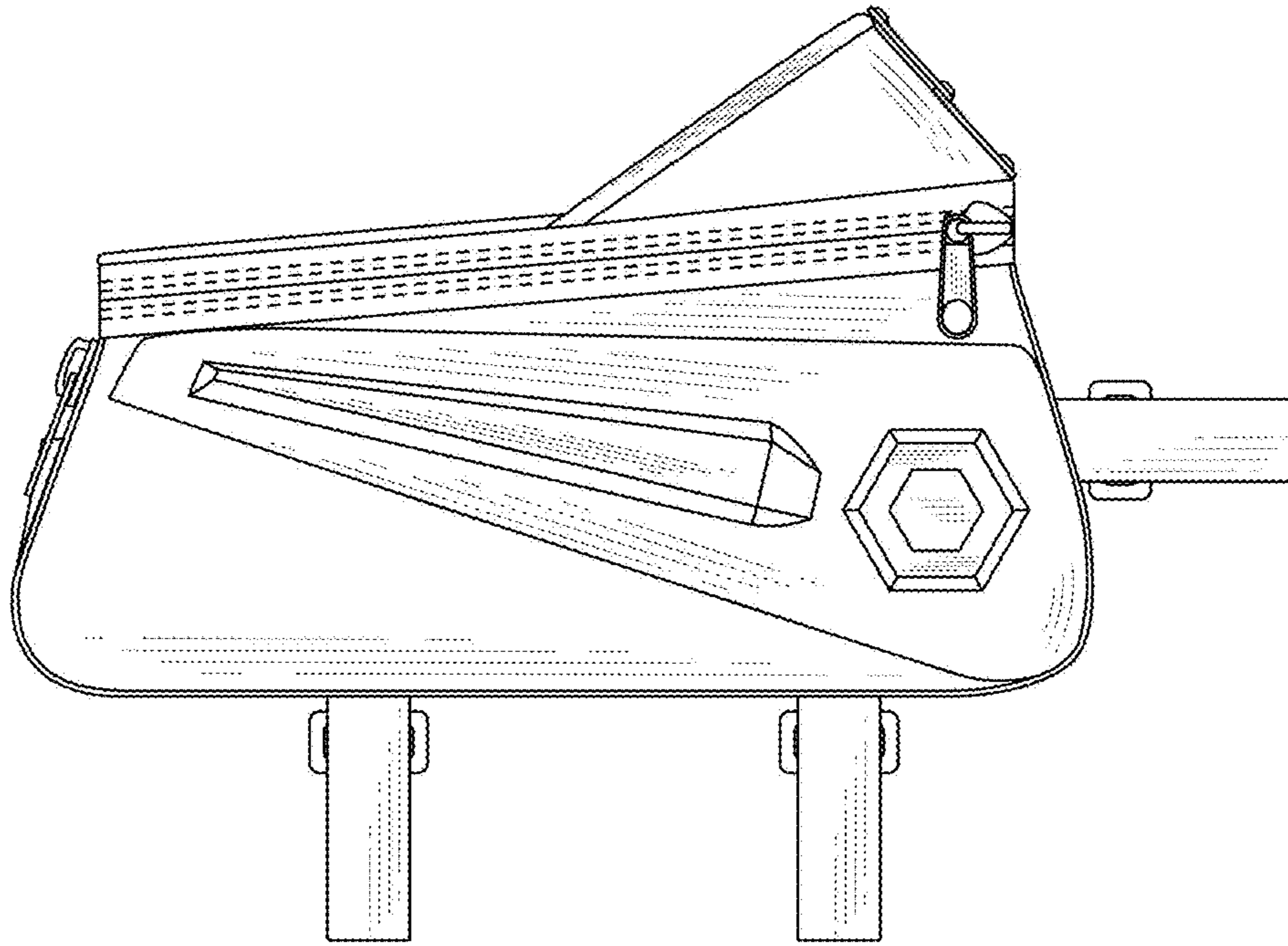


FIG. 3

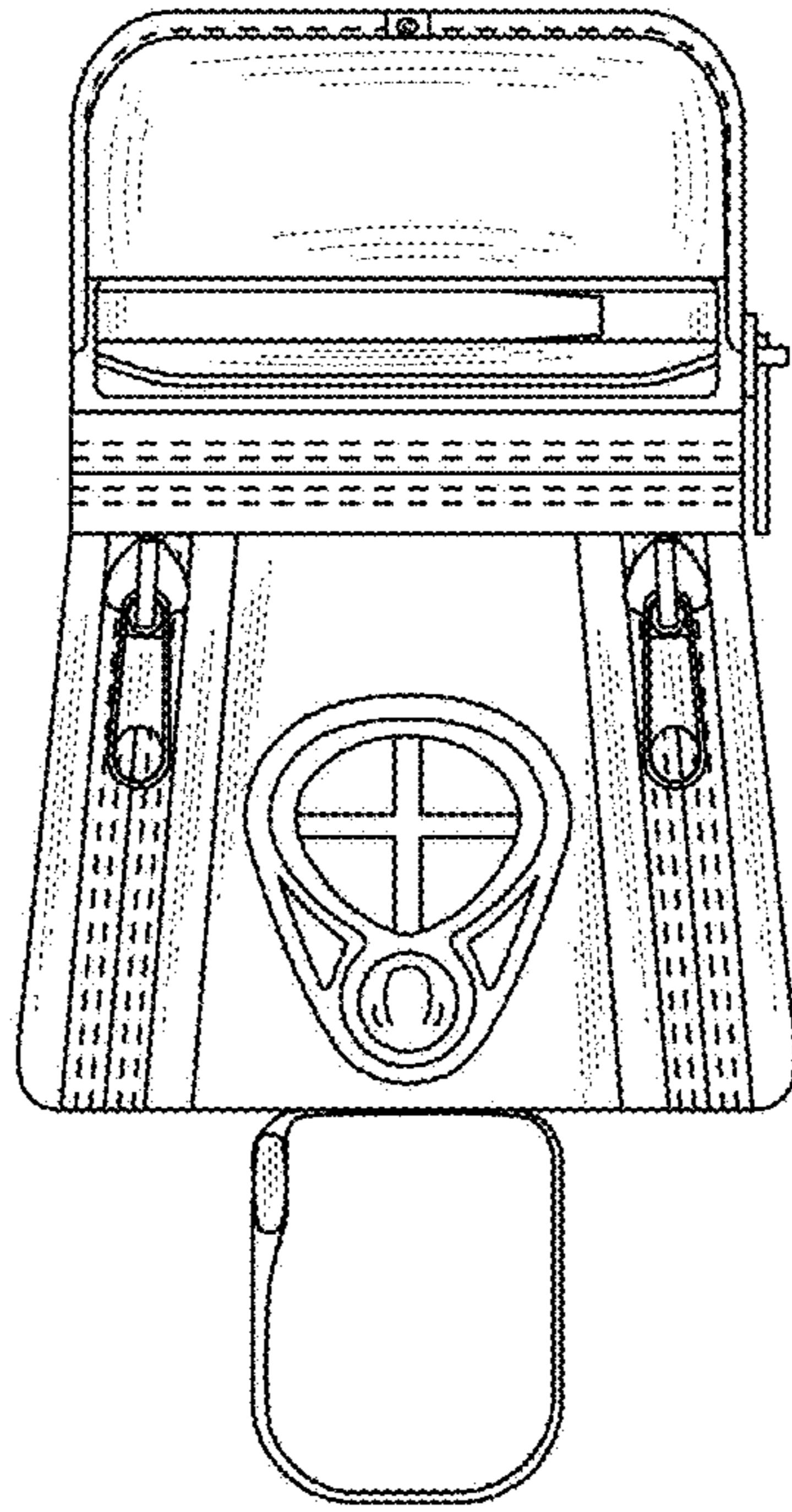


FIG. 4

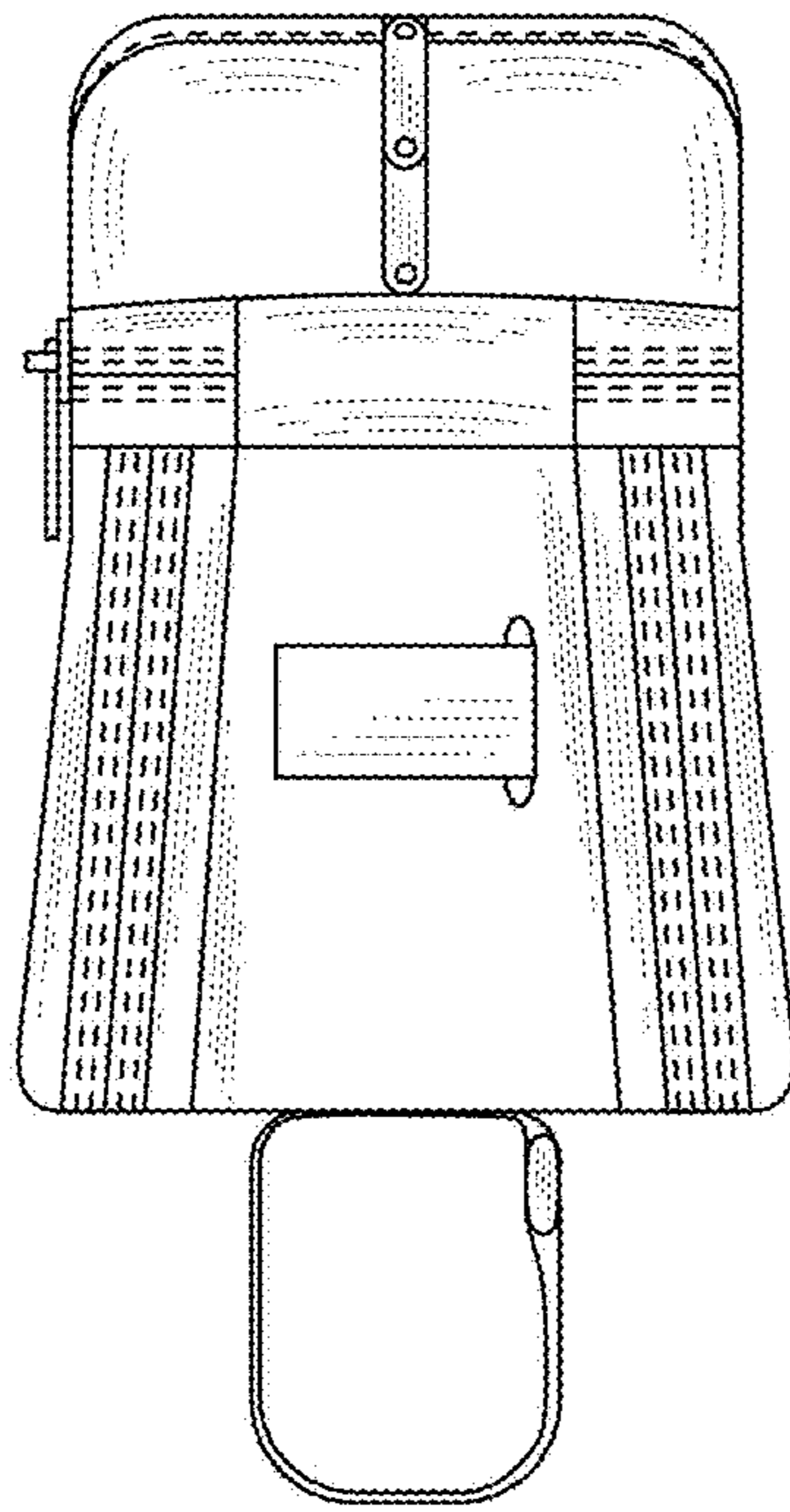


FIG. 5

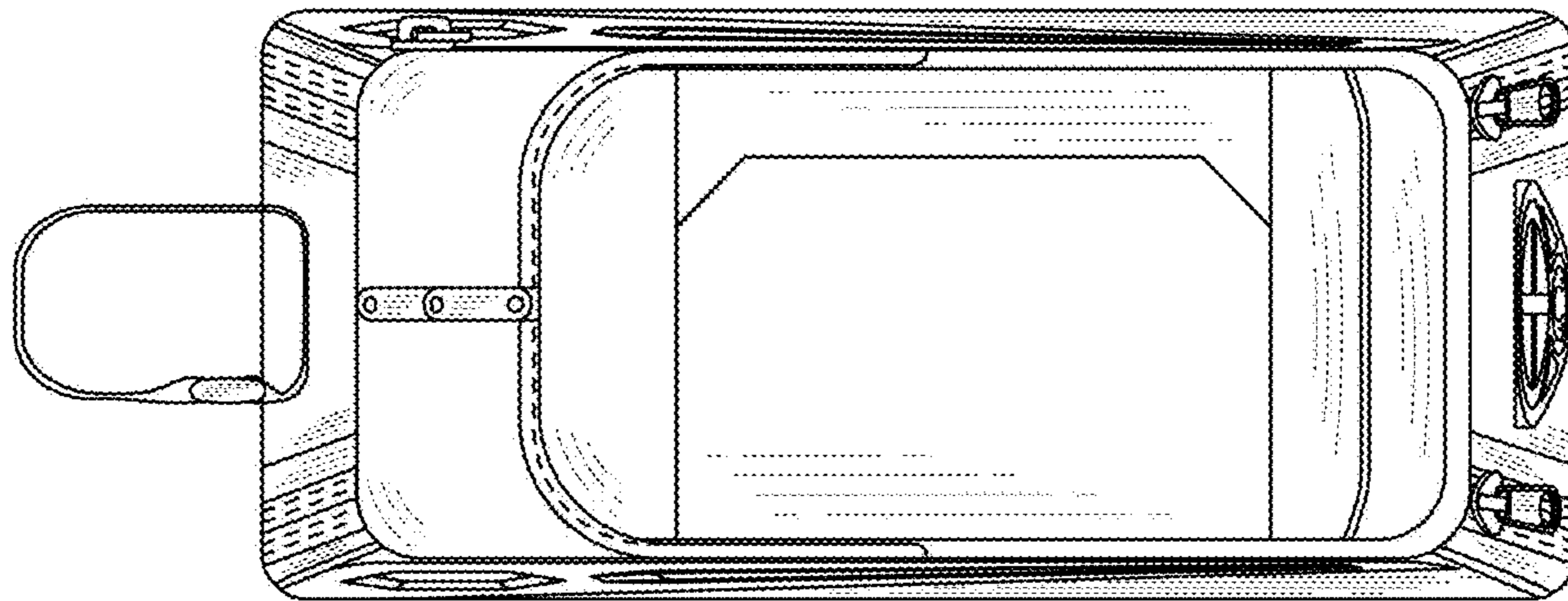


FIG. 6

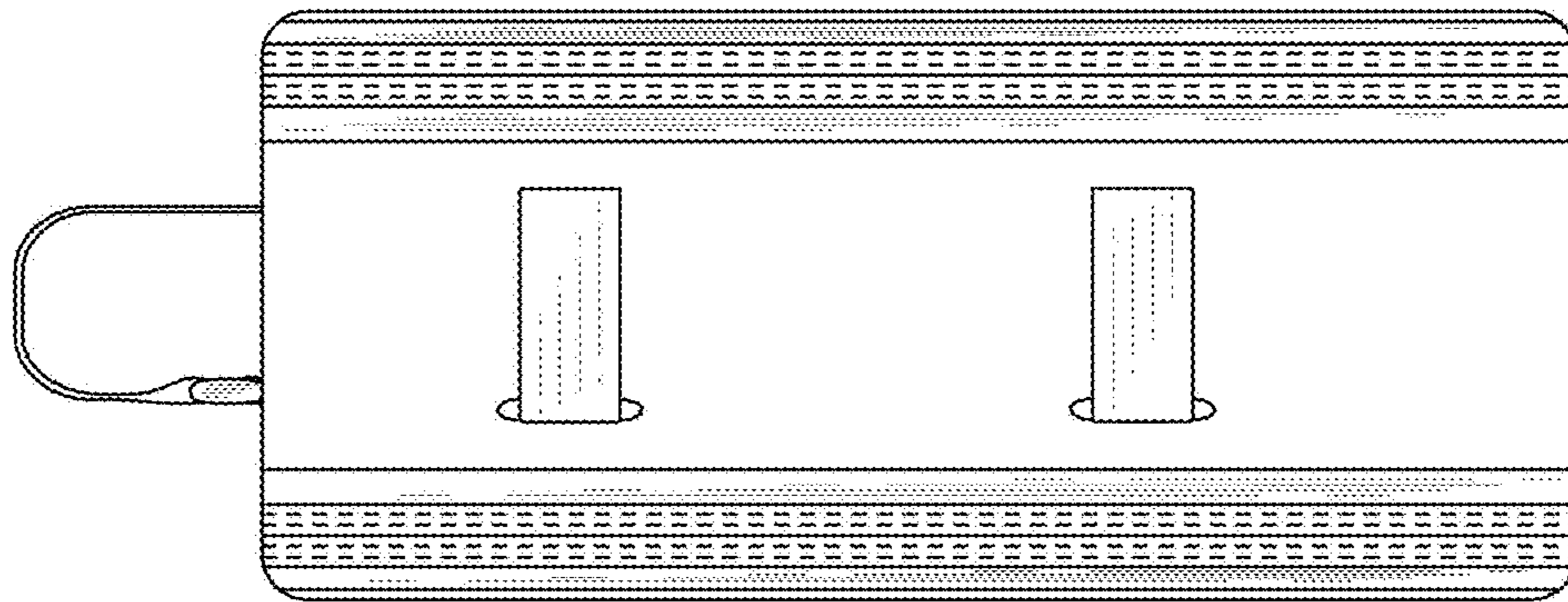


FIG. 7