



US00D955969S

(12) **United States Design Patent**
Huang

(10) **Patent No.:** **US D955,969 S**
(45) **Date of Patent:** **** Jun. 28, 2022**

- (54) **BICYCLE CARRIER**
- (71) Applicant: **YOTTA INNOVATION CO., LTD.**,
Apia (WS)
- (72) Inventor: **Stella Huang**, Taipei (TW)
- (73) Assignee: **YOTTA INNOVATION CO., LTD.**,
Apia (WS)

- 2010/0230455 A1* 9/2010 Wang B60R 9/06
224/533
- 2010/0320247 A1* 12/2010 Wang B60R 9/10
224/567
- 2011/0011909 A1* 1/2011 Liu B60R 9/10
224/523
- 2013/0062383 A1* 3/2013 Jeli B60R 9/10
224/549
- 2013/0062487 A1* 3/2013 Liu B60R 9/10
248/297.31

(Continued)

(**) Term: **15 Years**

(21) Appl. No.: **29/758,469**

(22) Filed: **Nov. 16, 2020**

(51) **LOC (13) Cl.** **12-11**

(52) **U.S. Cl.**
USPC **D12/407**

(58) **Field of Classification Search**
USPC D12/407, 408, 406, 412, 414, 402, 115
CPC .. B60R 9/06; B60R 9/10; B60R 9/045; B60R
9/048

See application file for complete search history.

(56) **References Cited**

U.S. PATENT DOCUMENTS

- 6,047,869 A * 4/2000 Chiu B60R 9/06
224/493
- D467,220 S * 12/2002 Walstrom D12/408
- 6,491,195 B1 * 12/2002 McLemore B60R 9/10
224/521
- D672,704 S * 12/2012 Grago D12/408
- 9,802,549 B1 * 10/2017 Shen B60R 9/10
- D817,256 S * 5/2018 Adler D12/408
- 10,183,627 B1 * 1/2019 Liu B60R 9/06
- D877,685 S * 3/2020 Larsson D12/406
- 2008/0099522 A1 * 5/2008 Clausen B60R 9/06
224/519
- 2008/0230579 A1 * 9/2008 Wang B60R 9/10
224/400
- 2009/0120984 A1 * 5/2009 Sautter B60R 9/10
224/532

OTHER PUBLICATIONS

Hyperax Volt eco—2 E Bike Mounted Bike Rack Carrier—for
2-inch Hitch—Up to 2x60 lbs MTBs, EBikes, Road Bikes with up
to 5-inch Fat Tires—Suitable for SUV, Trucks, Sedan, No RV Use!;
May 11, 2021; <https://www.amazon.com/Hyperax-Volt-eco-Mounted-Suitable/dp/B094MTXKJS>; 5Pgs. (Year: 2021).*

Primary Examiner — Michelle E. Wilson

Assistant Examiner — Clese Moore, Jr.

(74) *Attorney, Agent, or Firm* — Muncy, Geissler, Olds &
Lowe, P.C.

(57) **CLAIM**

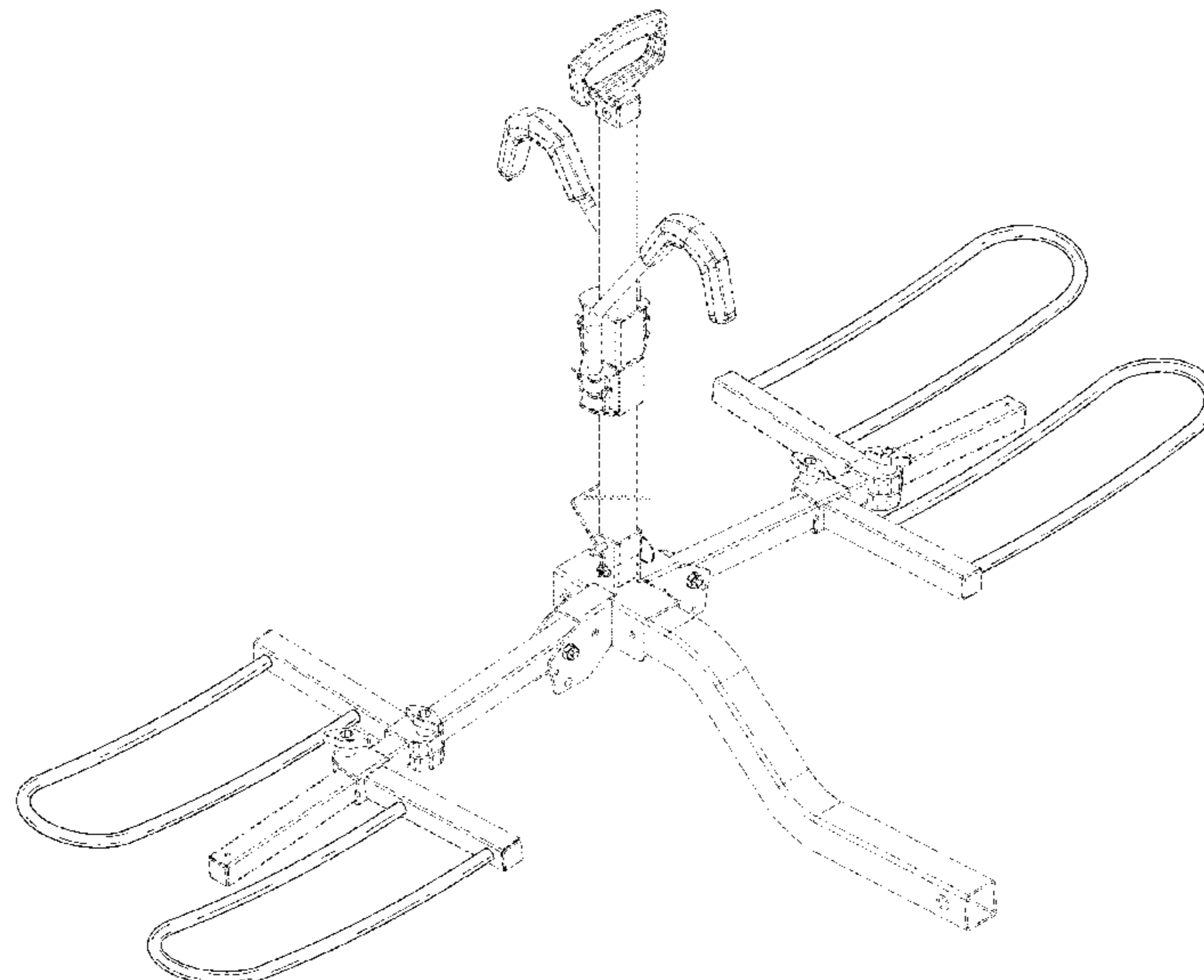
I claim the ornamental design for a bicycle carrier, as shown
and described.

DESCRIPTION

FIG. 1 is a top, front, right perspective view of a bicycle
carrier showing my new design;
FIG. 2 is a front elevational view thereof;
FIG. 3 is a rear elevational view thereof;
FIG. 4 is a left side view thereof;
FIG. 5 is a right side view thereof;
FIG. 6 is a top plan view thereof; and,
FIG. 7 is a bottom plan view.

The broken lines in the drawings illustrate portions of the
bicycle carrier which form no part of the claimed design.

1 Claim, 7 Drawing Sheets



(56)

References Cited

U.S. PATENT DOCUMENTS

2014/0183237 A1* 7/2014 Wolfe B60R 9/10
224/403
2015/0232041 A1* 8/2015 Wolfe B60P 3/077
224/403
2017/0349111 A1* 12/2017 Ramsdell B60R 9/06
2018/0134229 A1* 5/2018 Shen B60R 9/06
2020/0156724 A1* 5/2020 Kuschmeader B60R 9/10

* cited by examiner

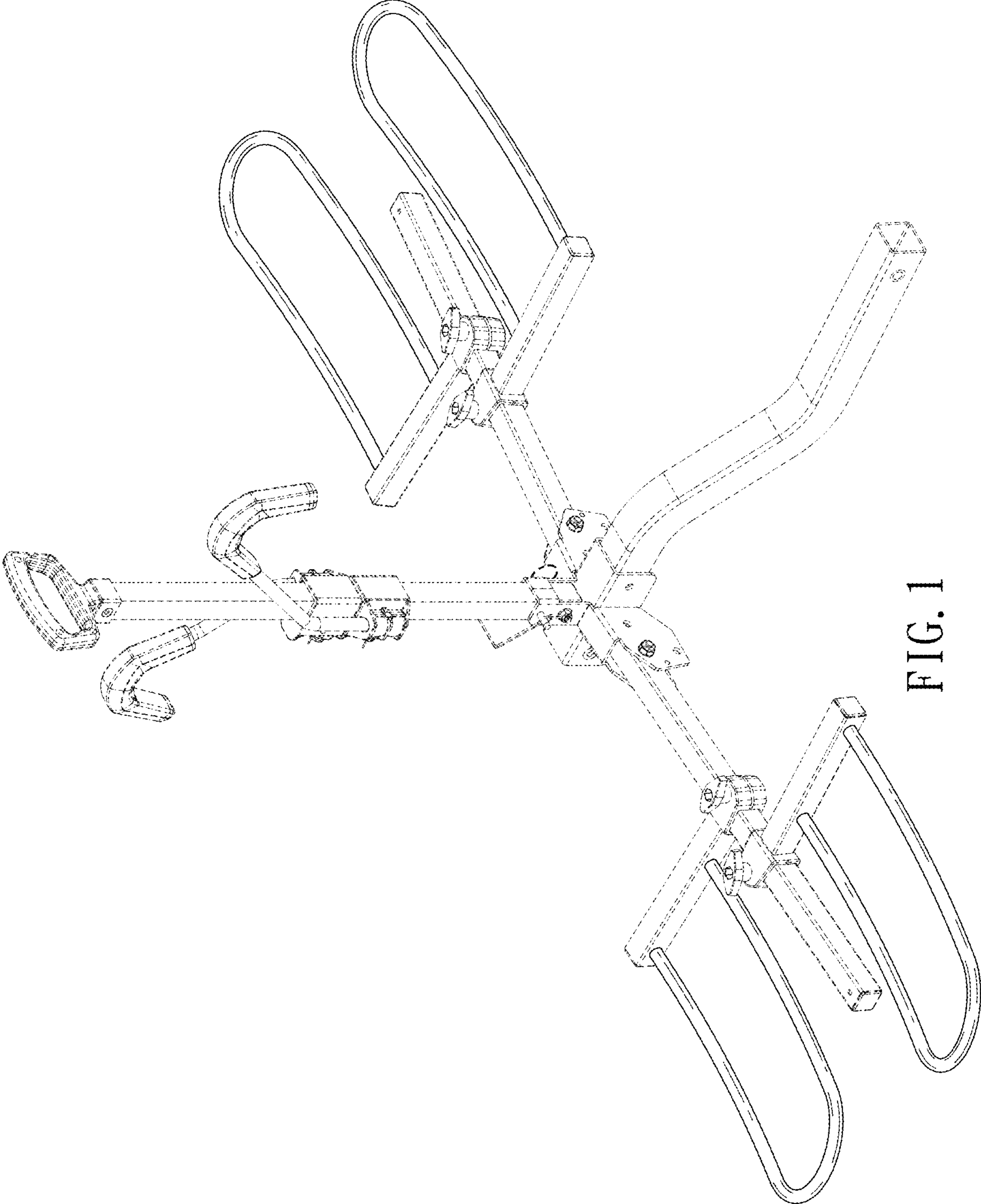


FIG. 1

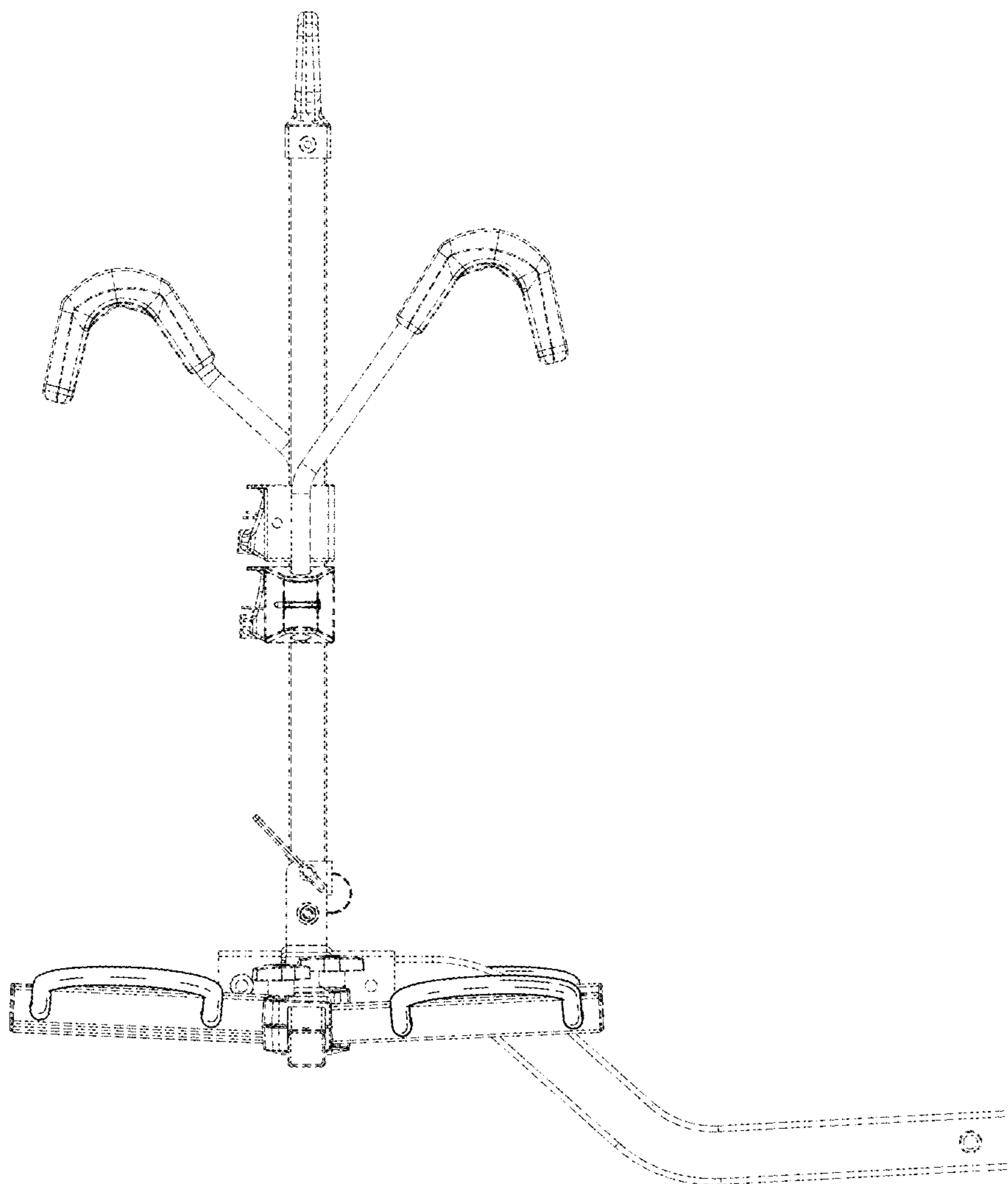


FIG. 2

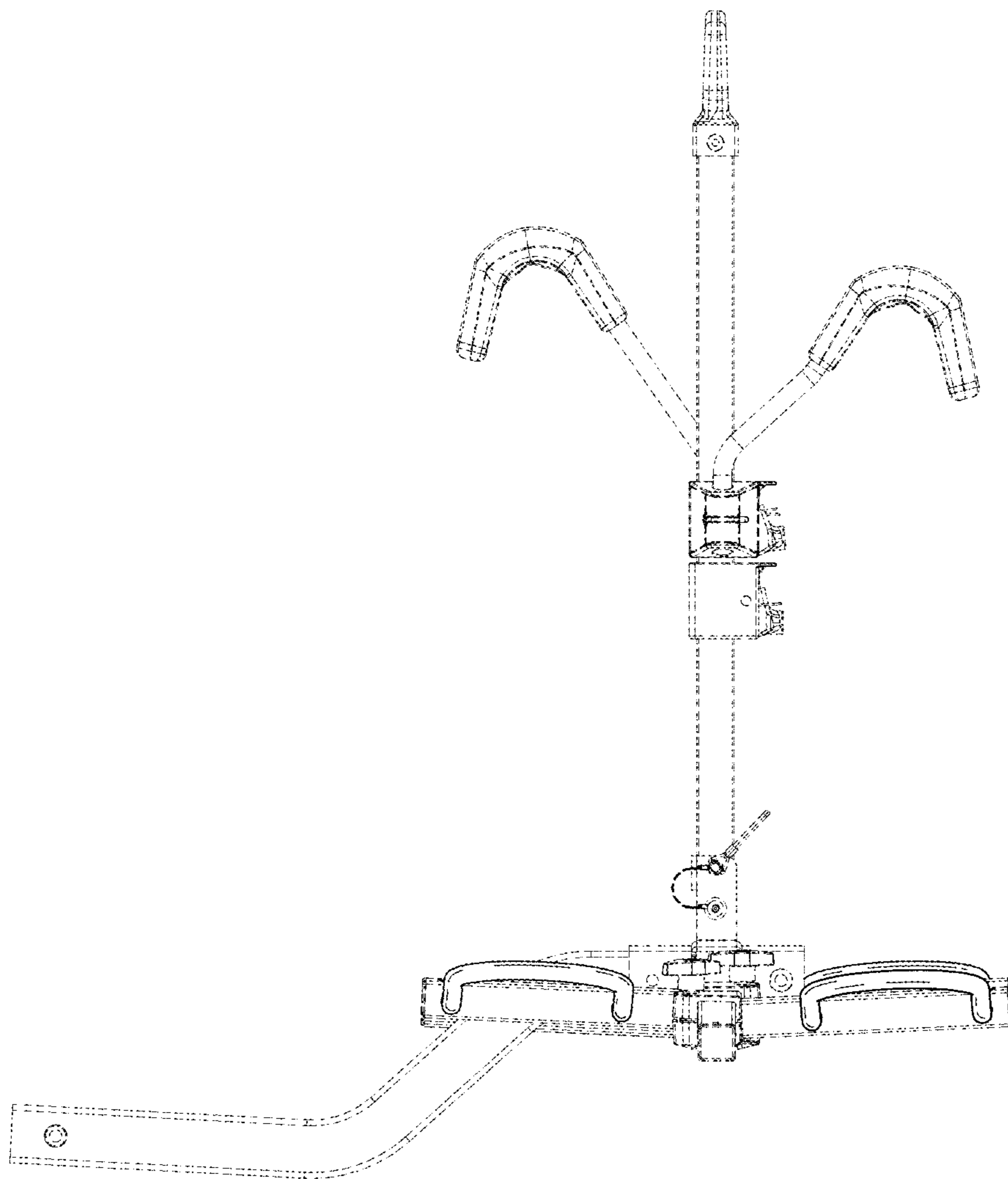


FIG. 3

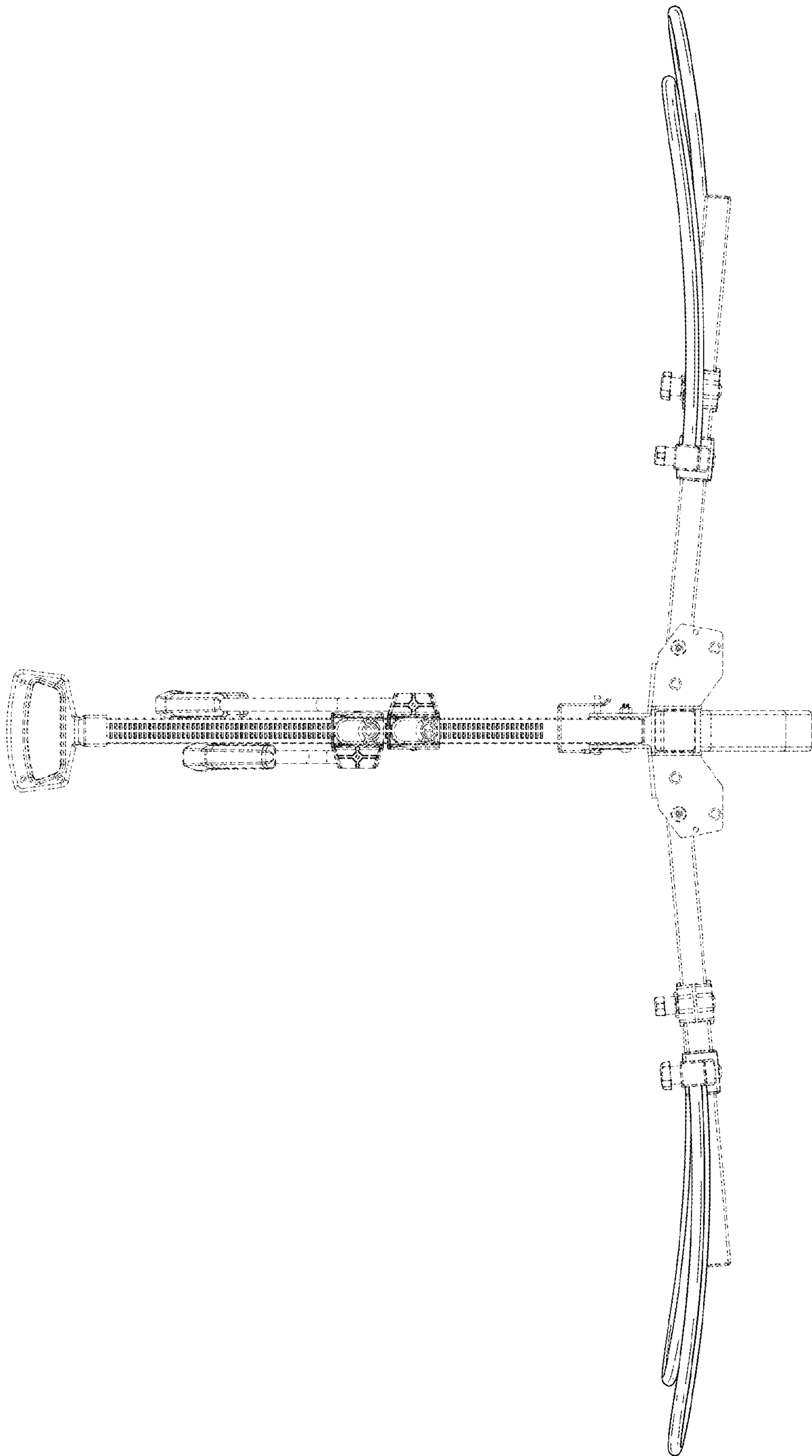


FIG. 4

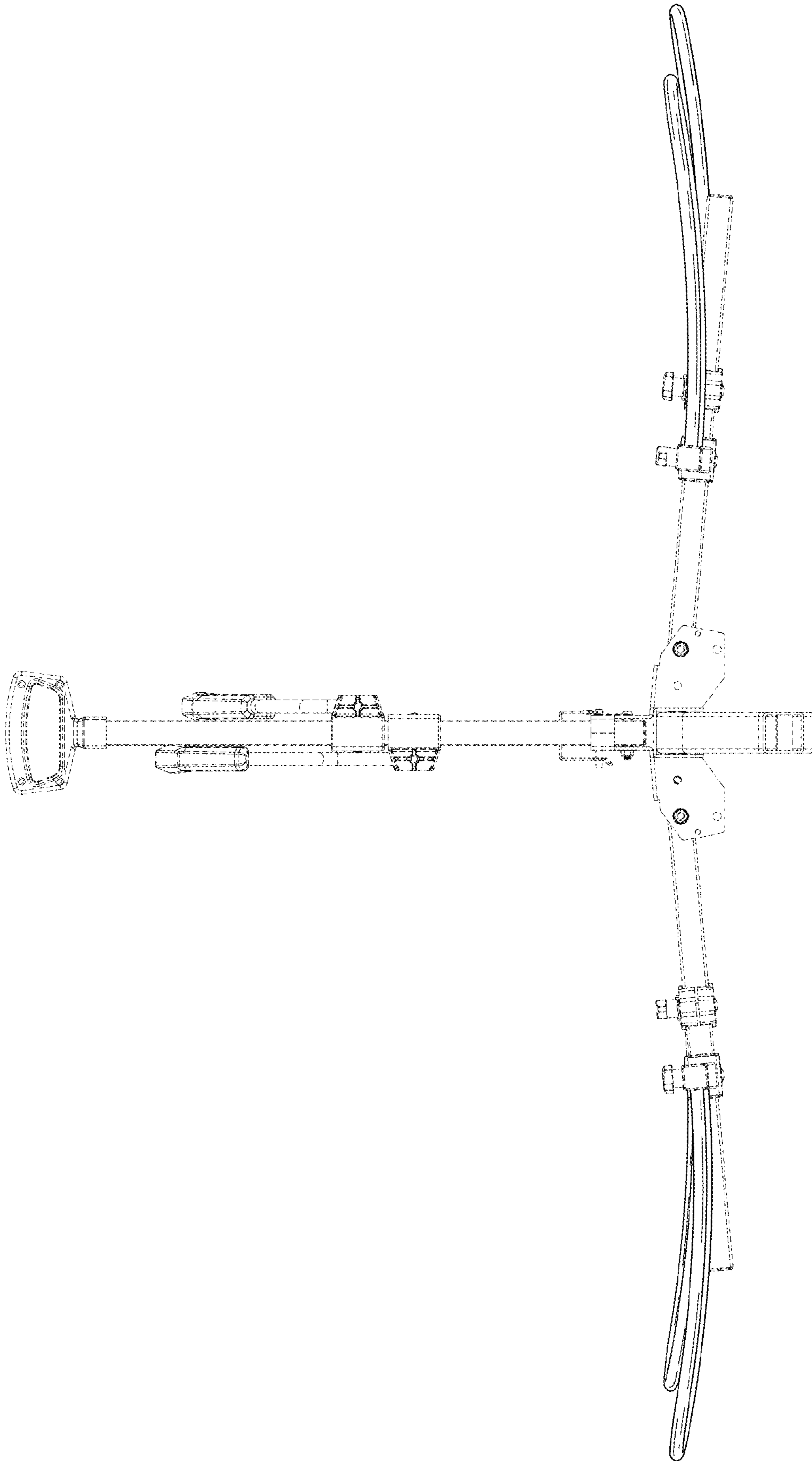


FIG. 5

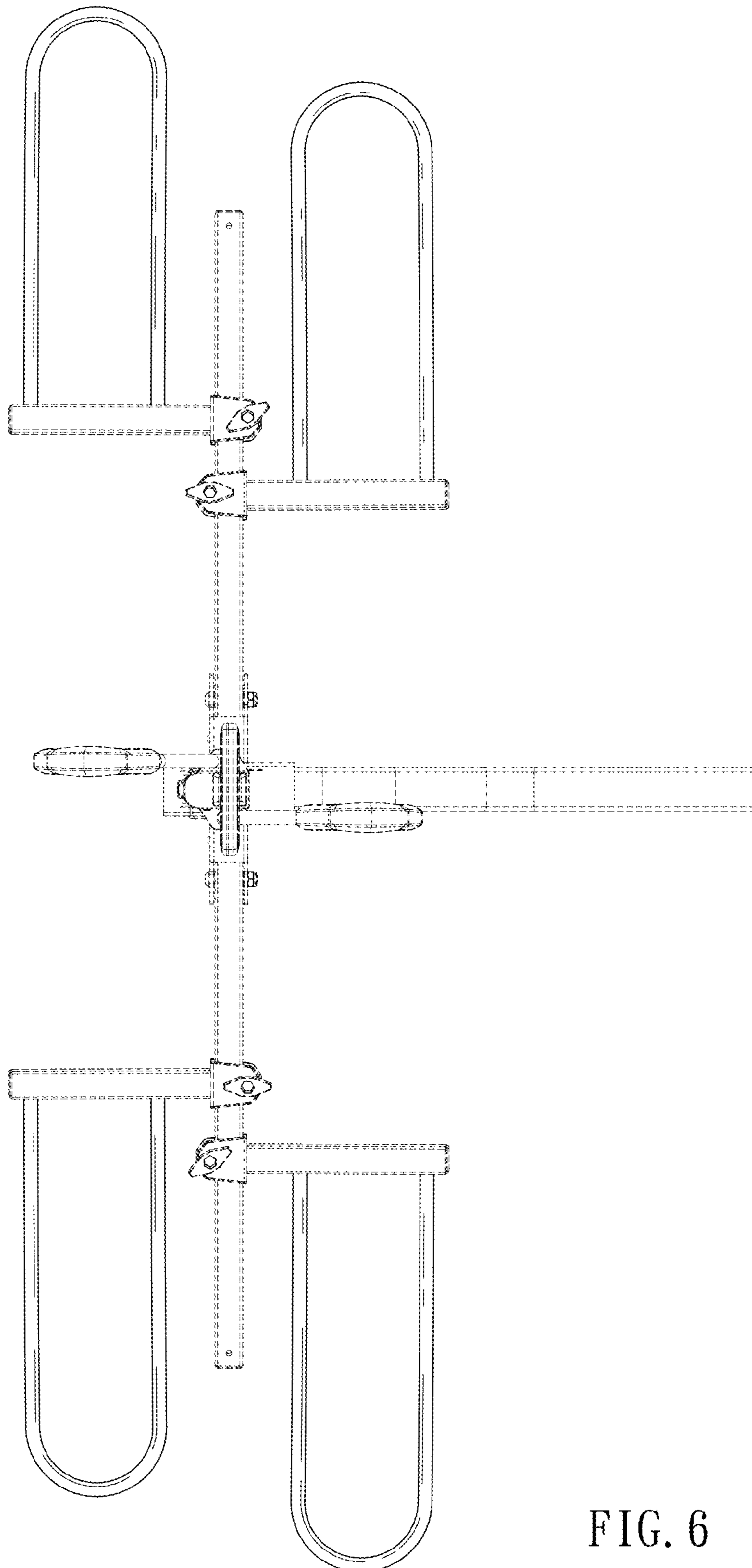


FIG. 6

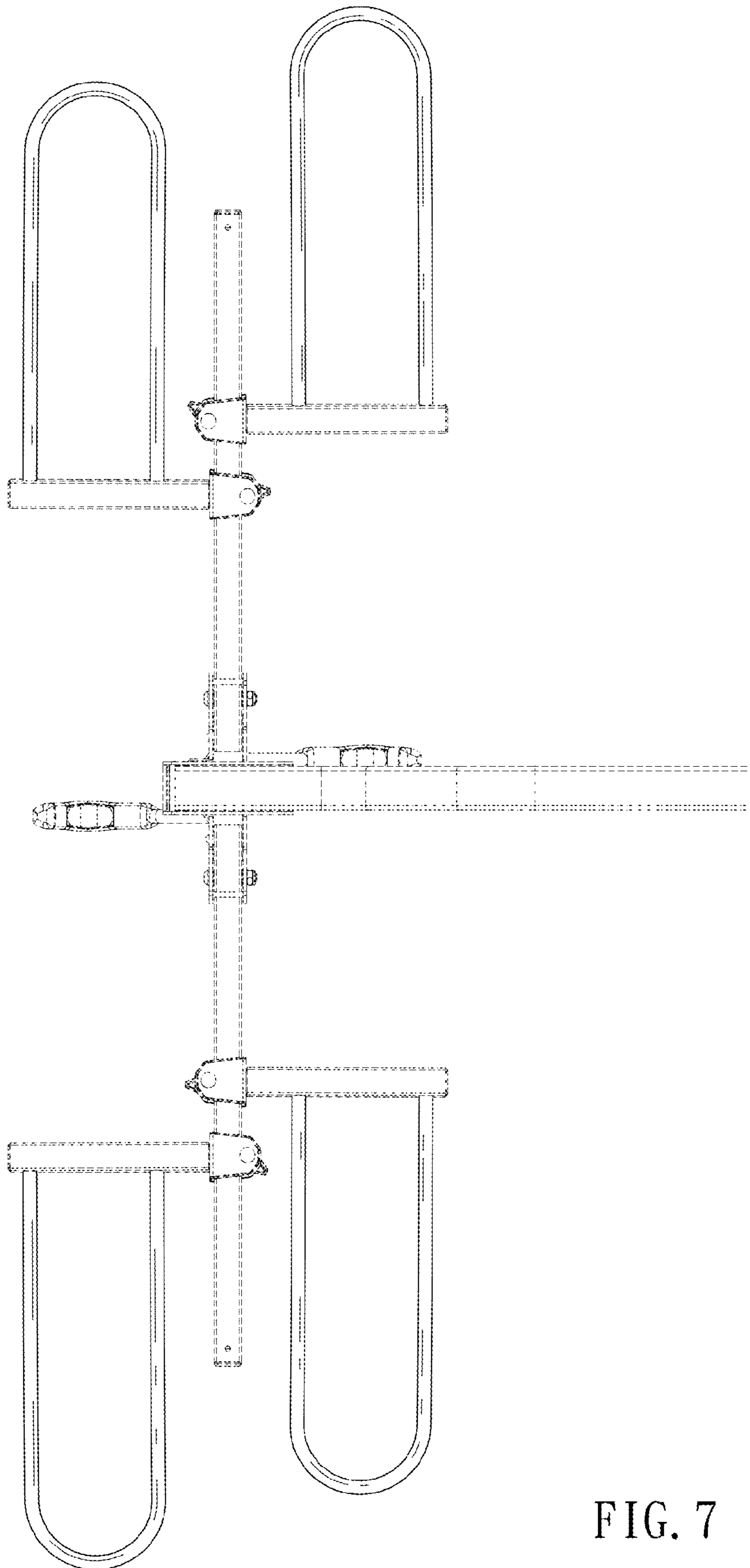


FIG. 7