



US00D955968S

(12) **United States Design Patent**
Krausse et al.

(10) **Patent No.:** **US D955,968 S**
(45) **Date of Patent:** **** Jun. 28, 2022**

- (54) **VEHICLE BED COVER**
- (71) Applicants: **Keith Krausse**, Jefferson, WI (US);
Scott Krausse, Lake Mills, WI (US);
Ed Krausse, Lake Mills, WI (US)
- (72) Inventors: **Keith Krausse**, Jefferson, WI (US);
Scott Krausse, Lake Mills, WI (US);
Ed Krausse, Lake Mills, WI (US)
- (73) Assignee: **HORIZON POLY PRODUCTS, LLC**,
Lake Mills, WI (US)
- (**) Term: **15 Years**
- (21) Appl. No.: **29/748,066**
- (22) Filed: **Aug. 27, 2020**
- (51) **LOC (13) Cl.** **12-16**
- (52) **U.S. Cl.**
USPC **D12/401**
- (58) **Field of Classification Search**
USPC D12/401–405, 181; D6/610, 611, 596,
D6/601–603, 615, 617, 621; D7/332,
D7/334–337
CPC ... B60J 7/11; B60J 1/2091; B60J 11/04; B60J
7/024; B60J 7/0435; B60J 7/19; E04H
15/08
See application file for complete search history.

- 2010/0083891 A1* 4/2010 Russikoff B63B 17/02
114/361
- 2021/0114444 A1* 4/2021 Voegele B60J 7/04
- 2021/0229537 A1* 7/2021 Piche B60P 7/02
- 2021/0331567 A1* 10/2021 Selinger B60P 3/341

* cited by examiner

Primary Examiner — Katrina A Betton

(74) *Attorney, Agent, or Firm* — von Briesen & Roper,
s.c.

(57) **CLAIM**

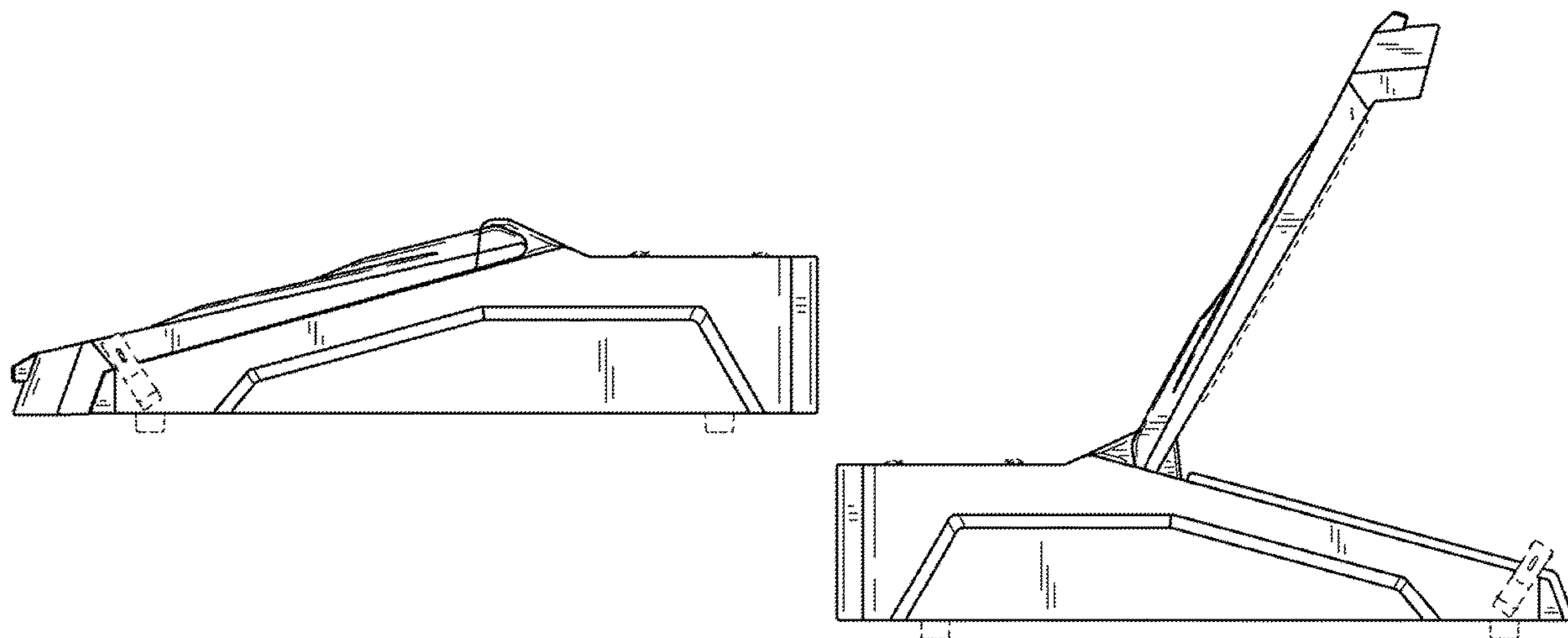
The ornamental design for a vehicle bed cover, as shown and described.

DESCRIPTION

FIG. 1 is perspective view showing the side, rear and top surfaces of the claimed design.
 FIG. 2 is a rear view of the claimed design.
 FIG. 3 is a front view of the claimed design.
 FIG. 4 is a right side view of the claimed design.
 FIG. 5 is a left side view of the claimed design.
 FIG. 6 is a top view of the claimed design.
 FIG. 7 is a bottom view of the claimed design.
 FIG. 8 is a perspective view showing the bed cover of the claimed design in the open position.
 FIG. 9 is a rear view of the claimed design showing the bed cover in the open position.
 FIG. 10 is a front view of the claimed design showing the bed cover in the open position.
 FIG. 11 is a right side view of the claimed design showing the bed cover in the open position.
 FIG. 12 is a left side view of the claimed design showing the bed cover in the open position.
 FIG. 13 is a front view of the claimed design showing the bed cover in the open position; and,
 FIG. 14 is a bottom view of the underside of the bed cover. Portions of the figures shown in broken liens are for illustrative purposes only and form no part of the claimed design.

1 Claim, 12 Drawing Sheets

- (56) **References Cited**
U.S. PATENT DOCUMENTS
D639,229 S * 6/2011 van Voorst tot Voorst
D12/401
D727,243 S * 4/2015 Matsumura D12/401
D727,244 S * 4/2015 Hashimoto D12/401
D733,033 S * 6/2015 Rohr D12/401
D776,601 S * 1/2017 McDonald, II D12/401
D832,185 S * 10/2018 McIntire D12/401
D847,078 S * 4/2019 Rolfs D12/401
D928,693 S * 8/2021 Lettl D12/401
D930,551 S * 9/2021 Suckling D12/401



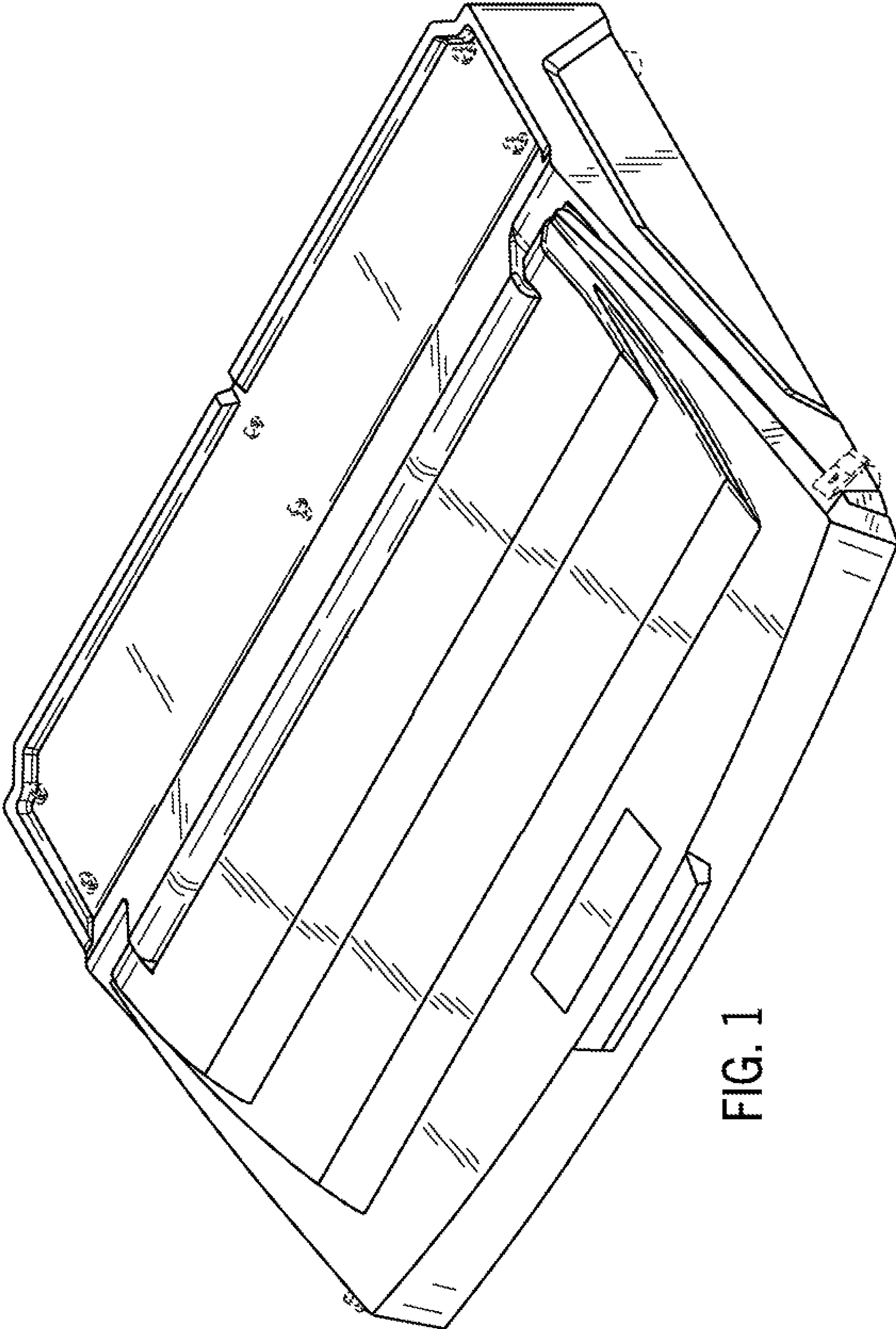


FIG. 1

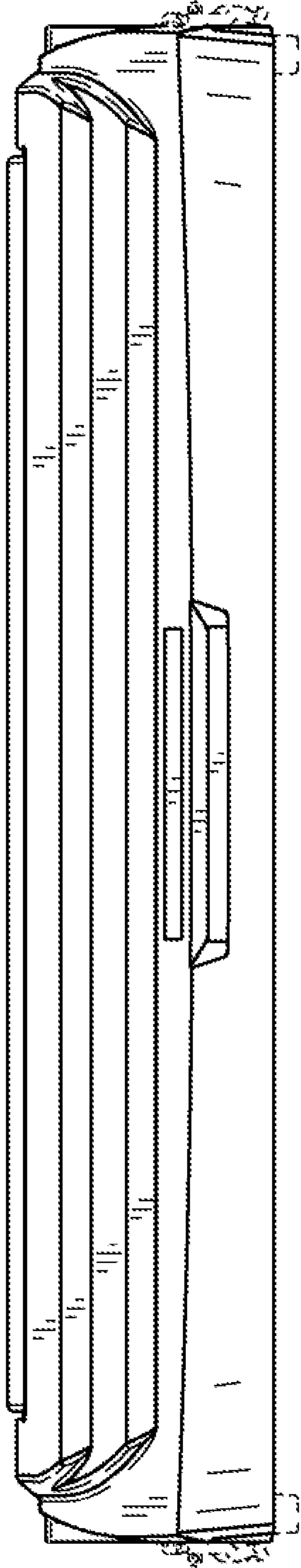


FIG. 2

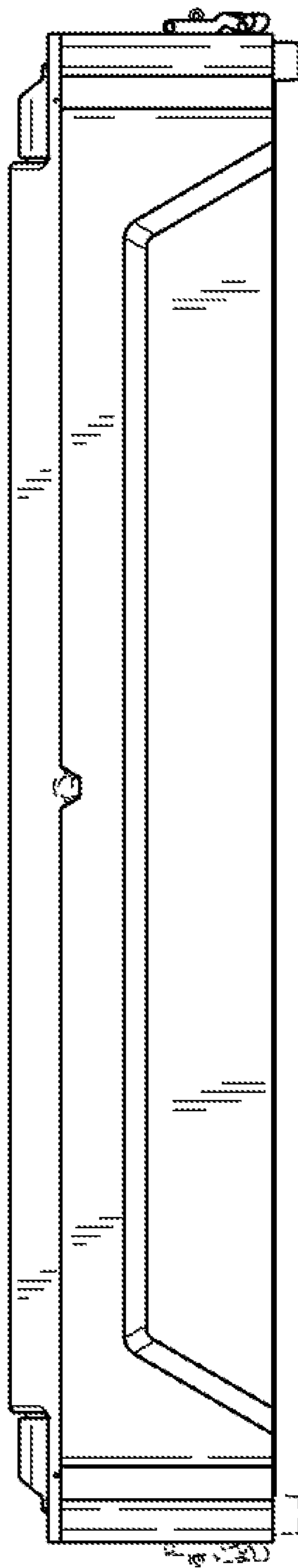


FIG. 3

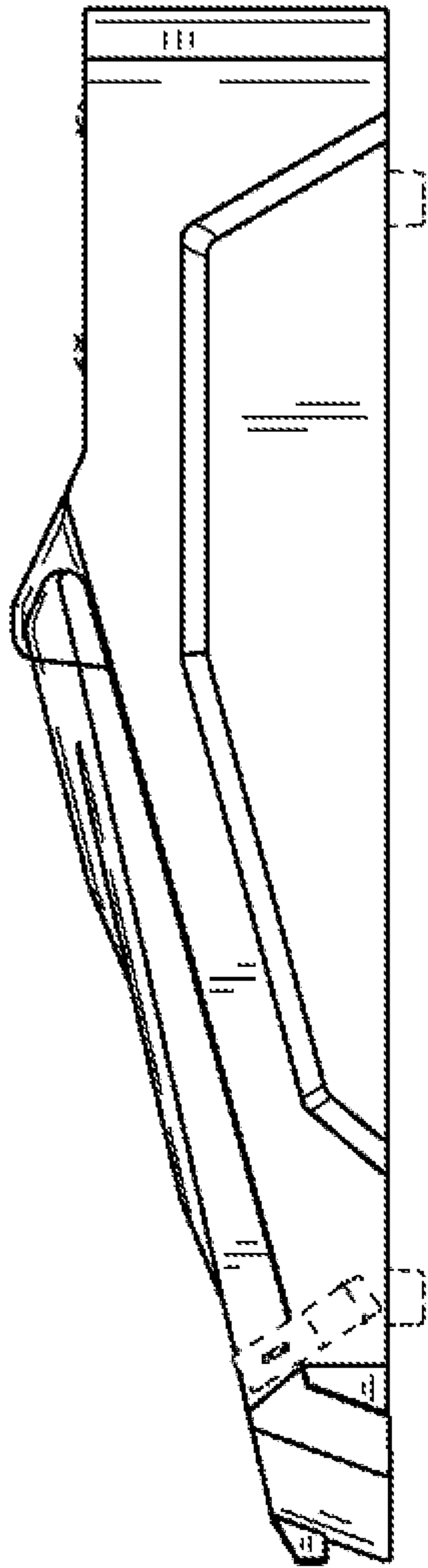


FIG. 4

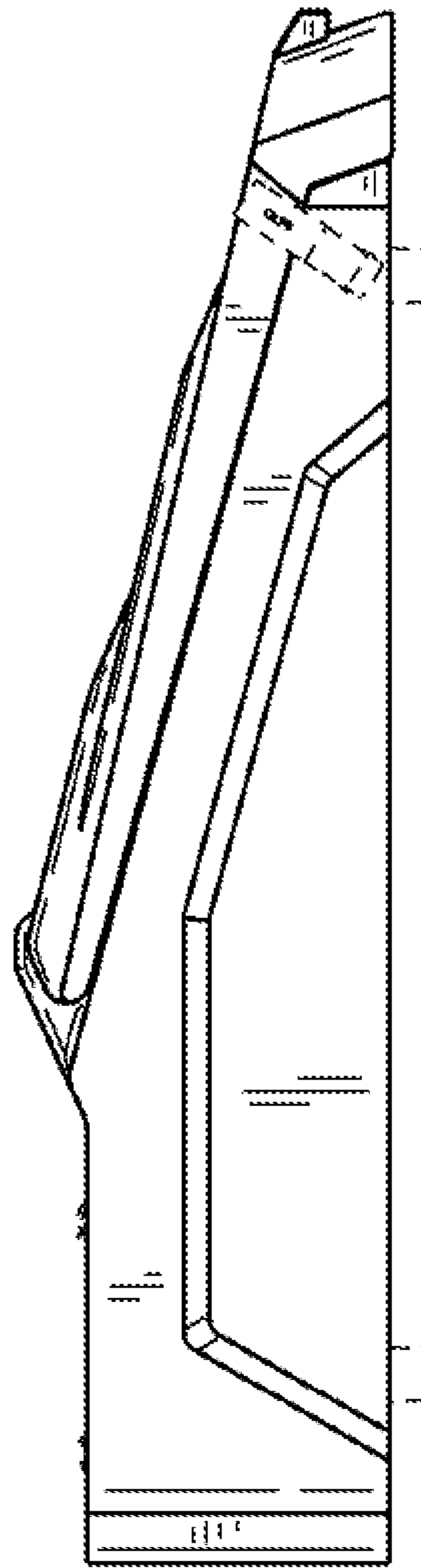


FIG. 5

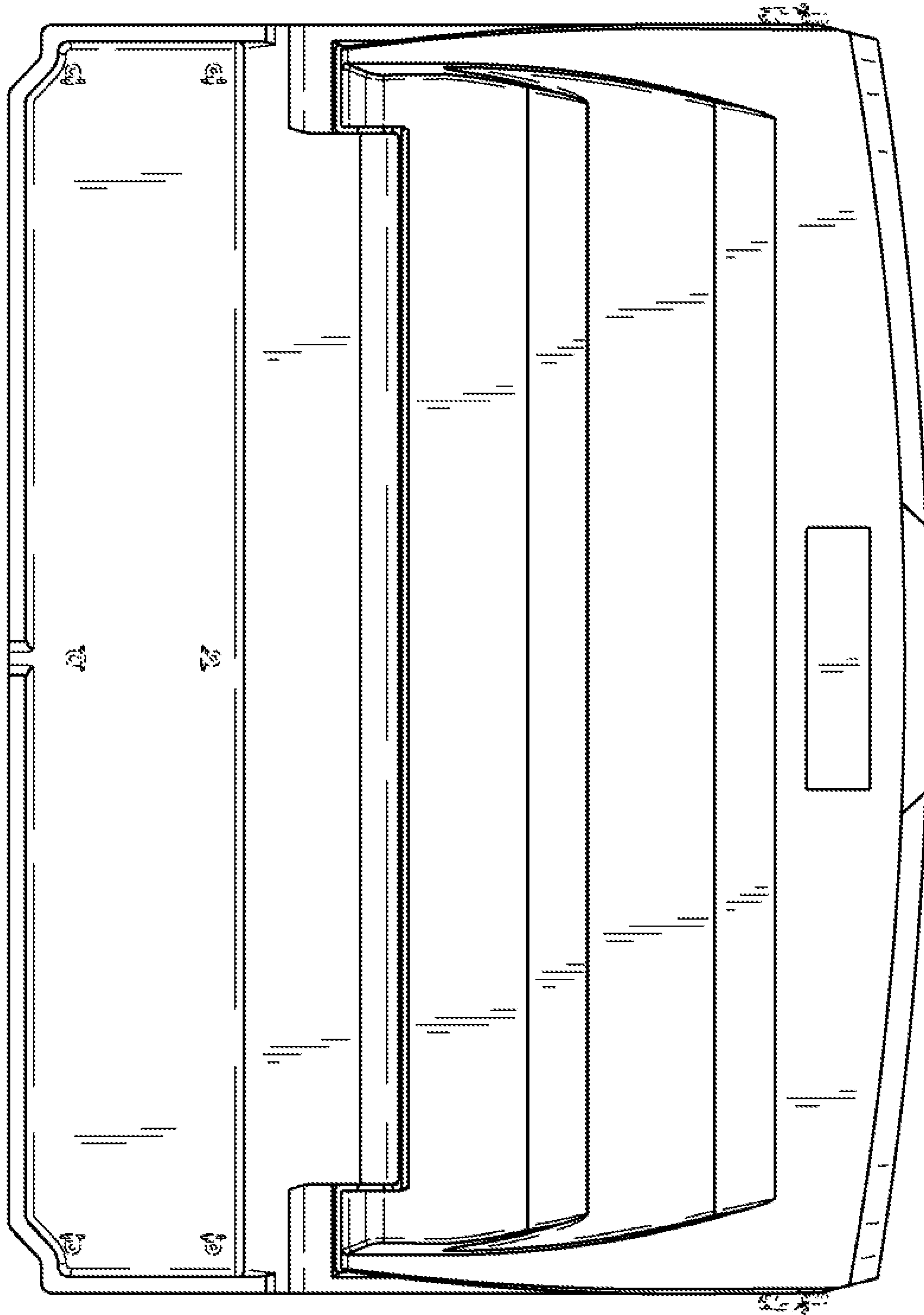


FIG. 6

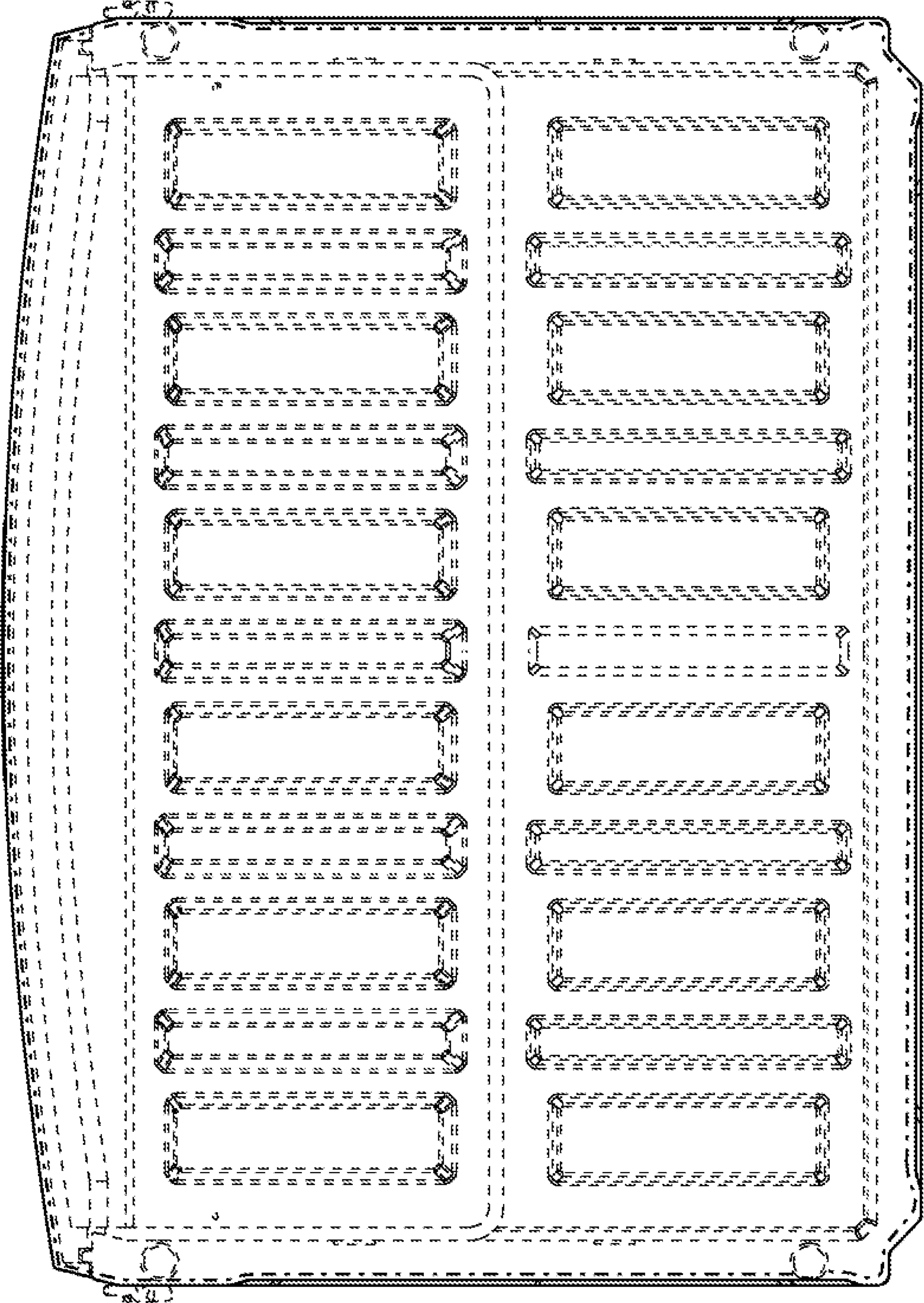


FIG. 7

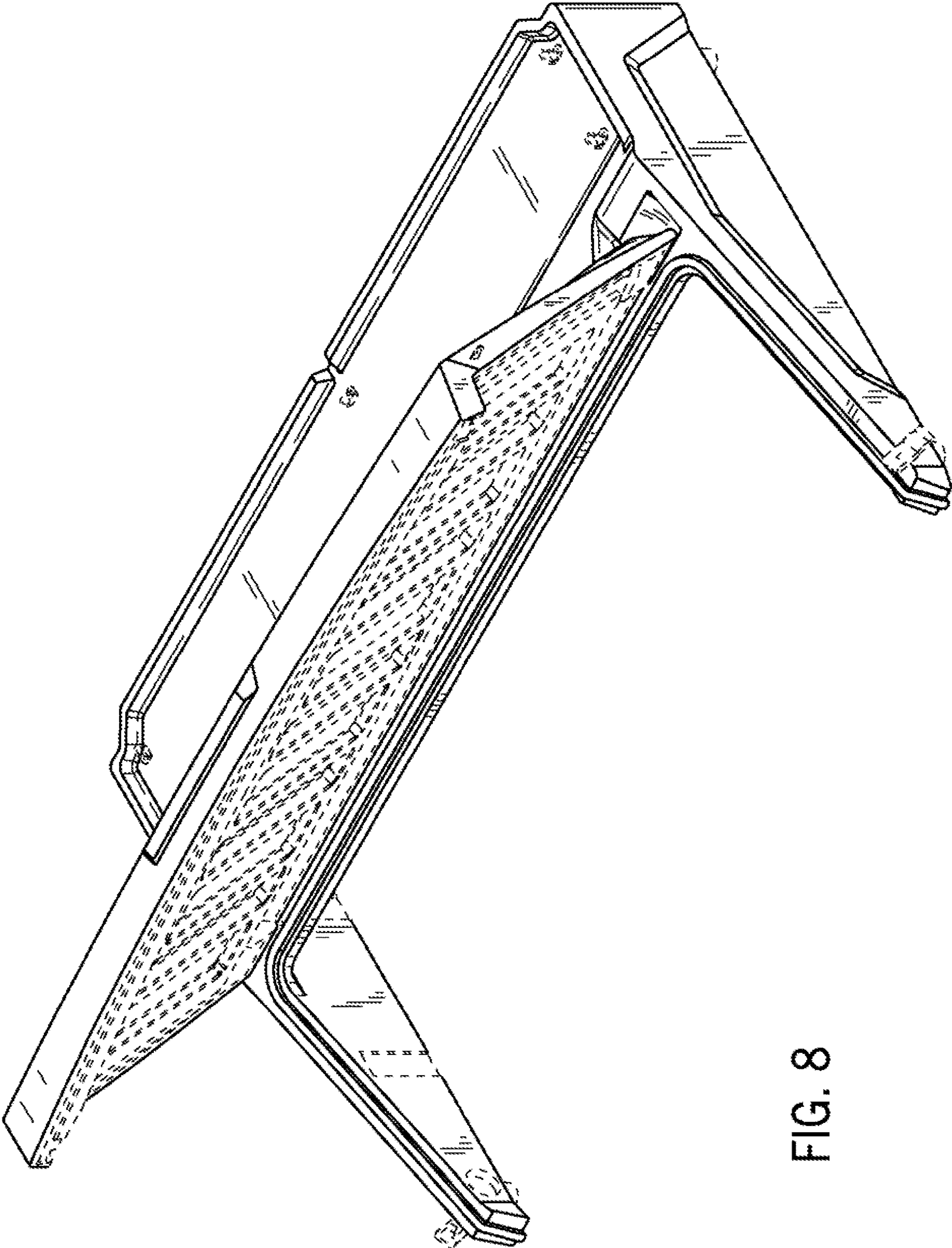


FIG. 8

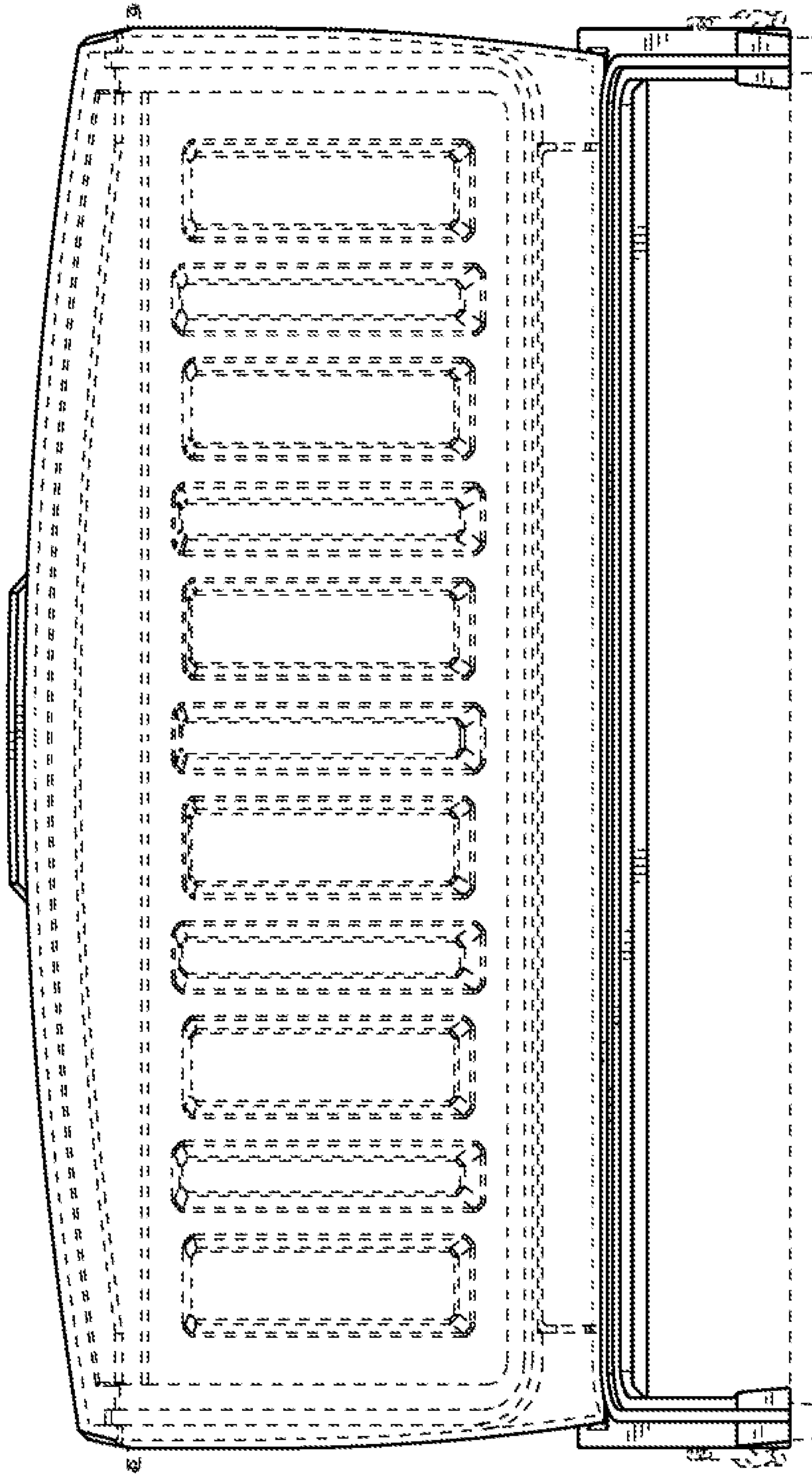


FIG. 9

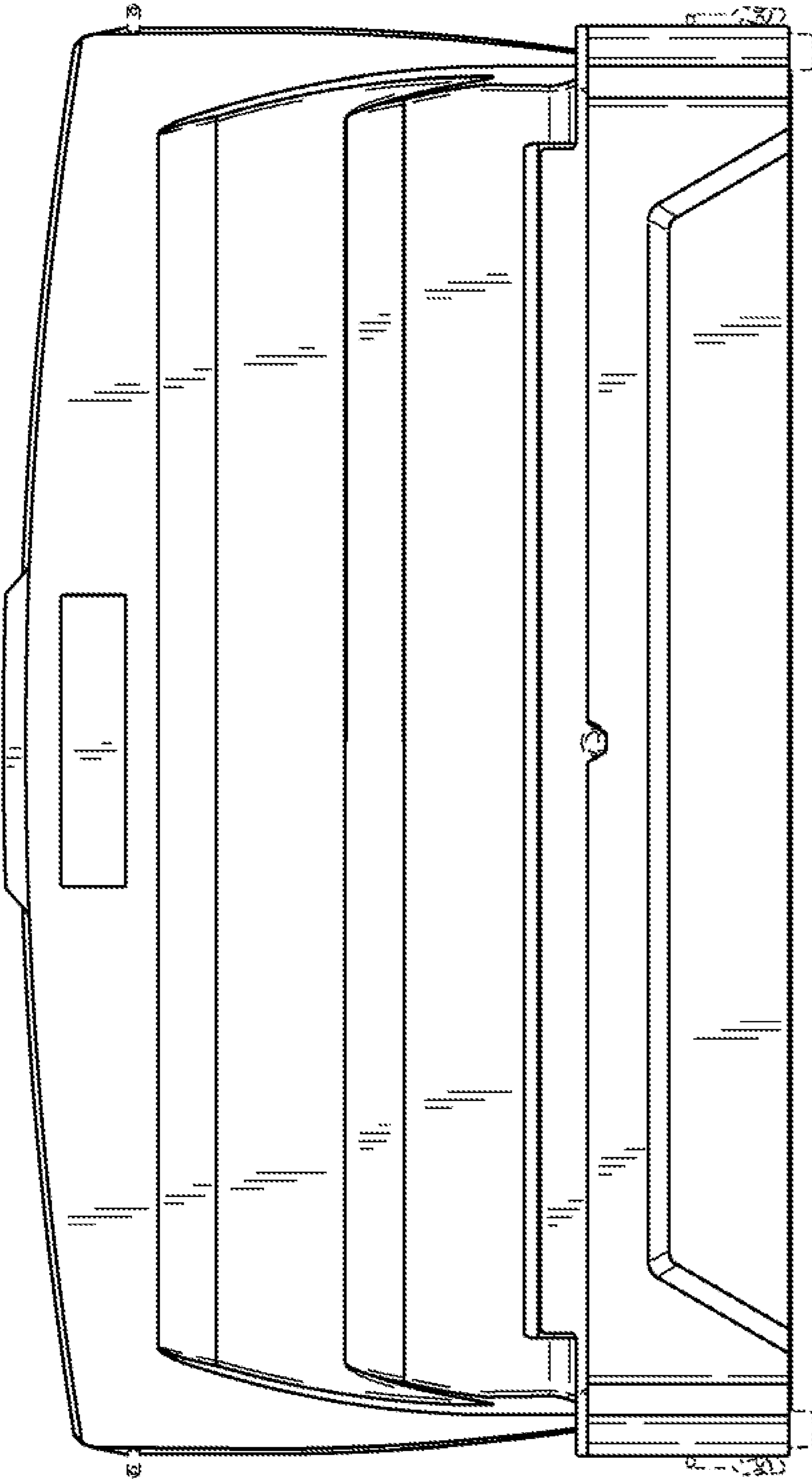


FIG. 10

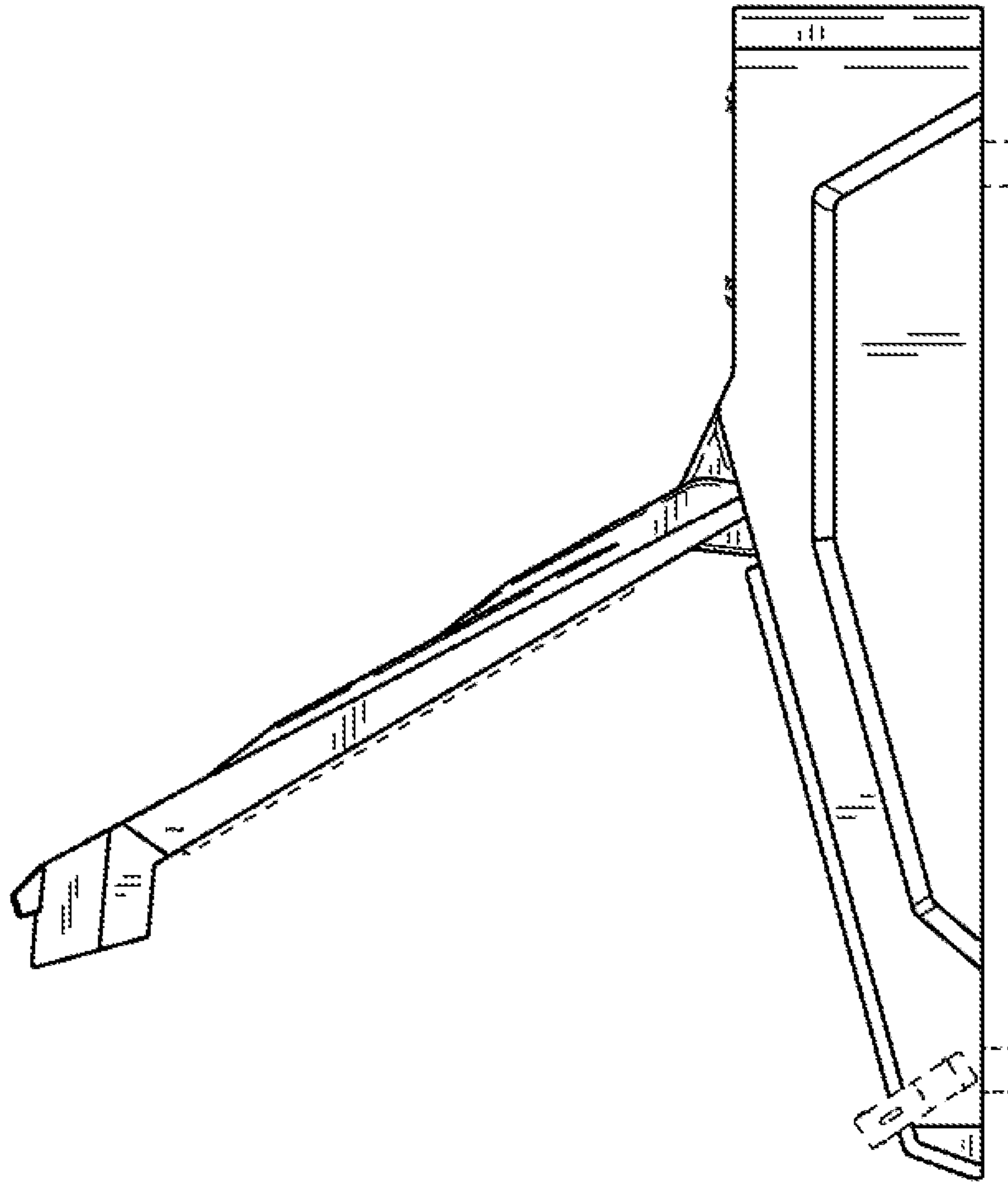


FIG. 11

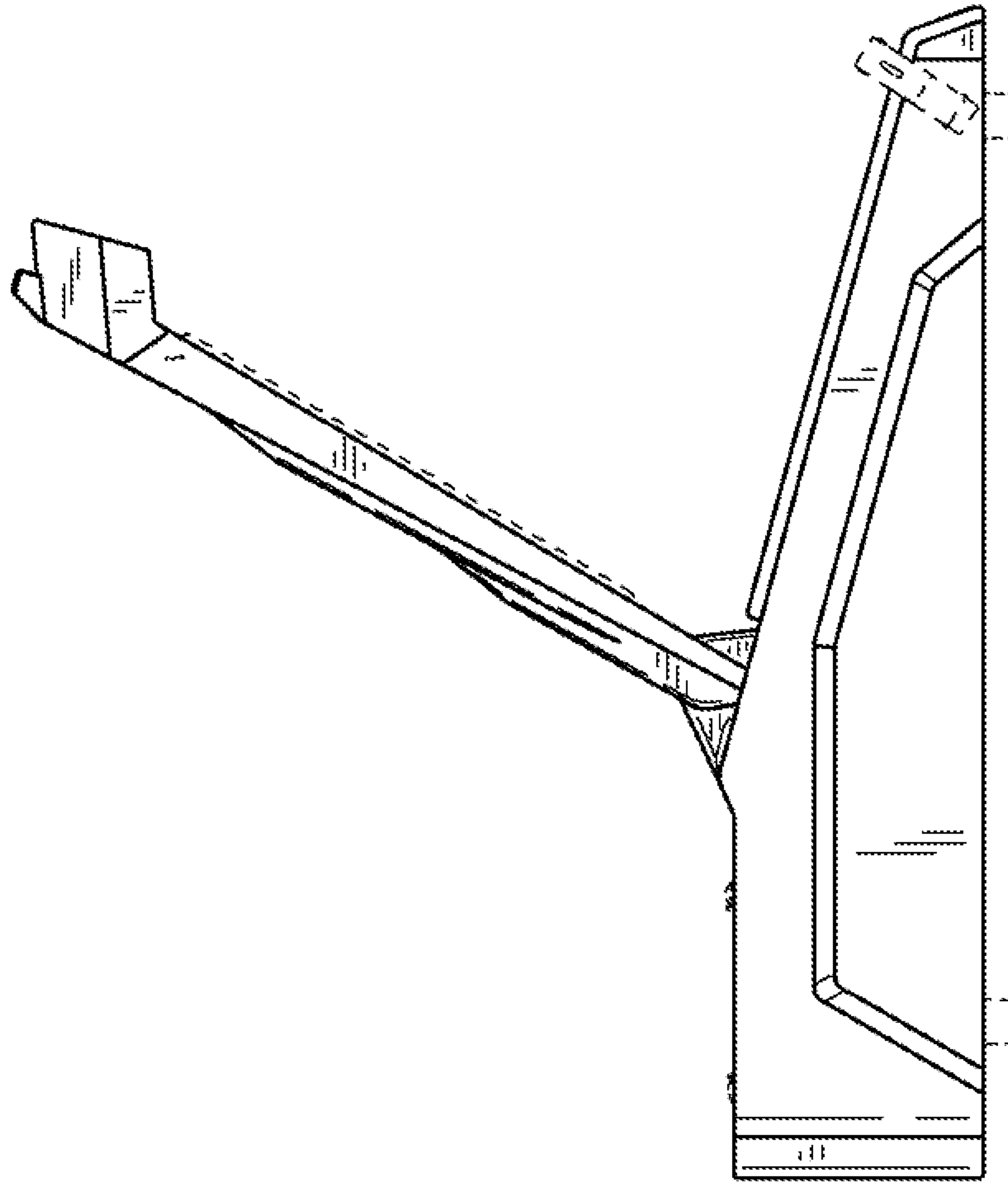


FIG. 12

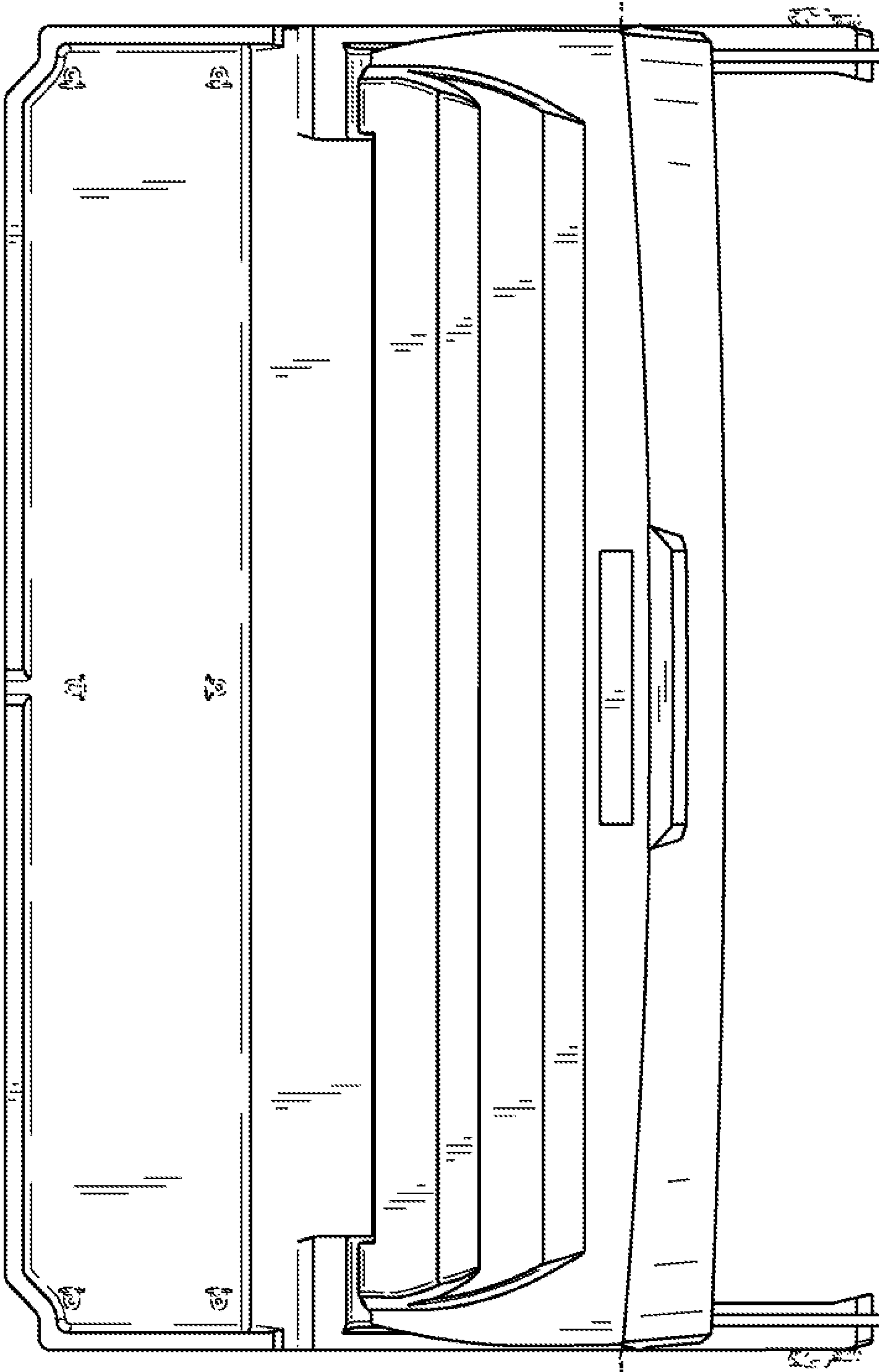


FIG. 13

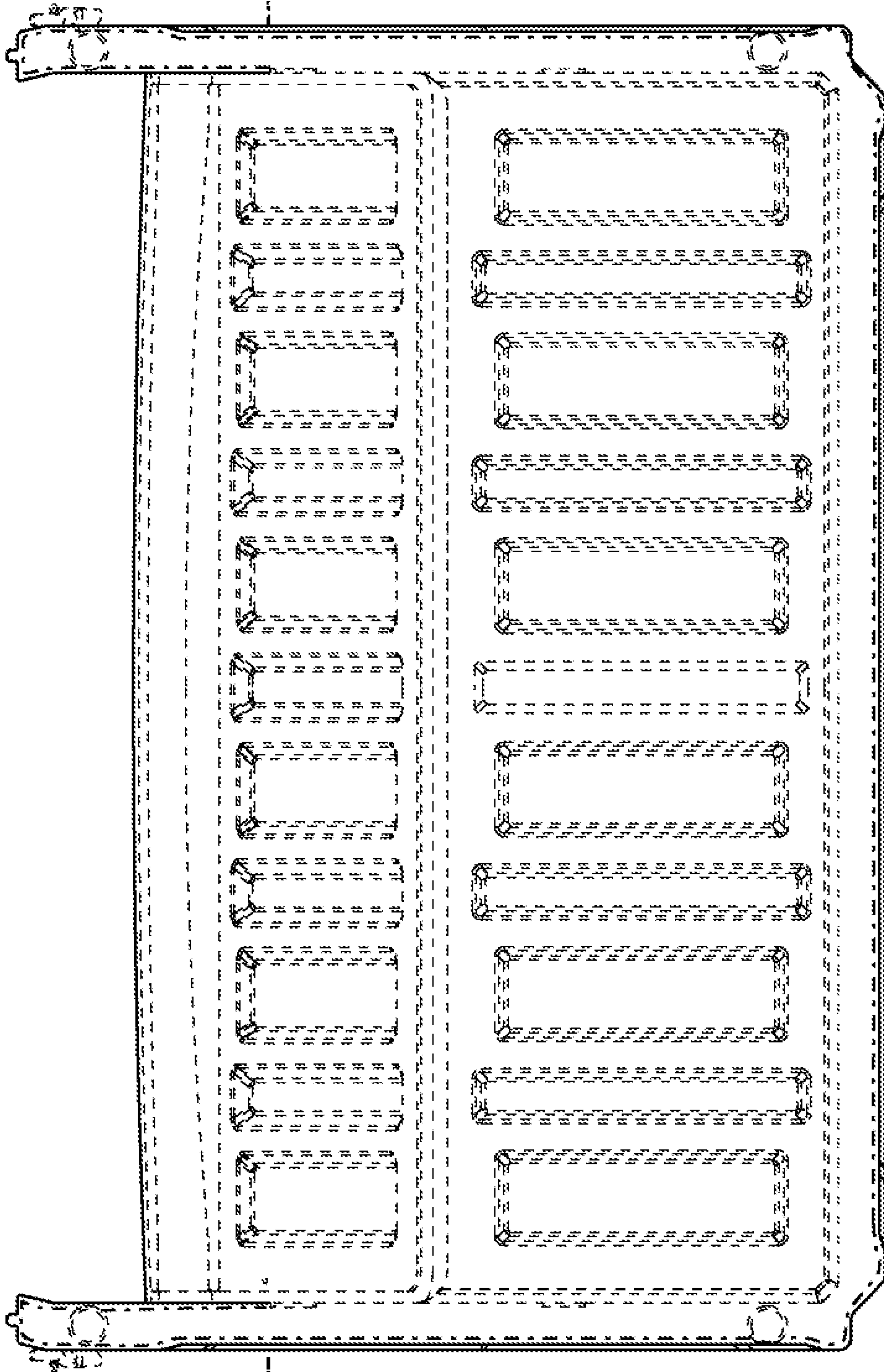


FIG. 14