



US00D955962S

(12) **United States Design Patent**  
**Lesnik et al.**

(10) **Patent No.:** **US D955,962 S**  
(45) **Date of Patent:** **\*\* Jun. 28, 2022**

- (54) **VEHICLE WHEEL**
- (71) Applicant: **Daimler AG**, Stuttgart (DE)
- (72) Inventors: **Robert Lesnik**, Leonberg (DE);  
**Achim-Dietrich Badstuebner**, Munich (DE);  
**Peter Riedel**, Holzgerlingen (DE);  
**Karen Harutyunyan**, Rodgau (DE);  
**Thomas Saelzle**, Kornwestheim (DE)
- (73) Assignee: **Daimler AG**, Stuttgart (DE)
- (\*\*) Term: **15 Years**
- (21) Appl. No.: **29/795,735**
- (22) Filed: **Jun. 21, 2021**

D635,907 S *	4/2011	Futschik .....	D12/211
D647,449 S *	10/2011	Gotschke .....	D12/209
D684,914 S *	6/2013	Gotschke .....	D12/209
D713,316 S *	9/2014	Song .....	D12/211
D727,232 S *	4/2015	Frei .....	D12/209
D741,239 S *	10/2015	Wagener .....	D12/209
D765,003 S *	8/2016	Toth .....	D12/211
D819,538 S	6/2018	Badstuebner et al.	
D819,539 S	6/2018	Badstuebner et al.	
D820,186 S	6/2018	Badstuebner et al.	
D820,761 S	6/2018	Badstuebner et al.	
D823,221 S	7/2018	Badstuebner et al.	
D824,313 S	7/2018	Badstuebner et al.	
D847,072 S	4/2019	Badstuebner et al.	
D852,712 S *	7/2019	Khachatryan .....	D12/211
D895,515 S	9/2020	Badstuebner et al.	
D895,516 S	9/2020	Badstuebner et al.	
D895,519 S	9/2020	Badstuebner et al.	
D895,521 S	9/2020	Badstuebner et al.	
D906,215 S	12/2020	Badstuebner et al.	
D908,579 S	1/2021	Badstuebner et al.	
D944,172 S *	2/2022	Mukti .....	D12/209

**Related U.S. Application Data**

- (62) Division of application No. 35/509,371, filed on Nov. 14, 2019 (U.S. filing date under 35 U.S.C. 384), and having an international filing date of Nov. 14, 2019, now Pat. No. Des. 928,062.
- (51) **LOC (13) Cl.** ..... **12-16**
- (52) **U.S. Cl.**  
USPC ..... **D12/211**
- (58) **Field of Classification Search**  
USPC ..... D12/204–213; D21/533, 561, 563  
CPC .... B60B 3/02; B60B 3/04; B60B 3/06; B60B 3/10  
See application file for complete search history.

**References Cited**

**U.S. PATENT DOCUMENTS**

D567,167 S *	4/2008	Forster .....	D12/211
D615,018 S *	5/2010	Truebsbach .....	D12/211
D619,950 S	7/2010	Antoniadis et al.	

\* cited by examiner

*Primary Examiner* — Joseph Kukella

(74) *Attorney, Agent, or Firm* — Crowell & Moring LLP

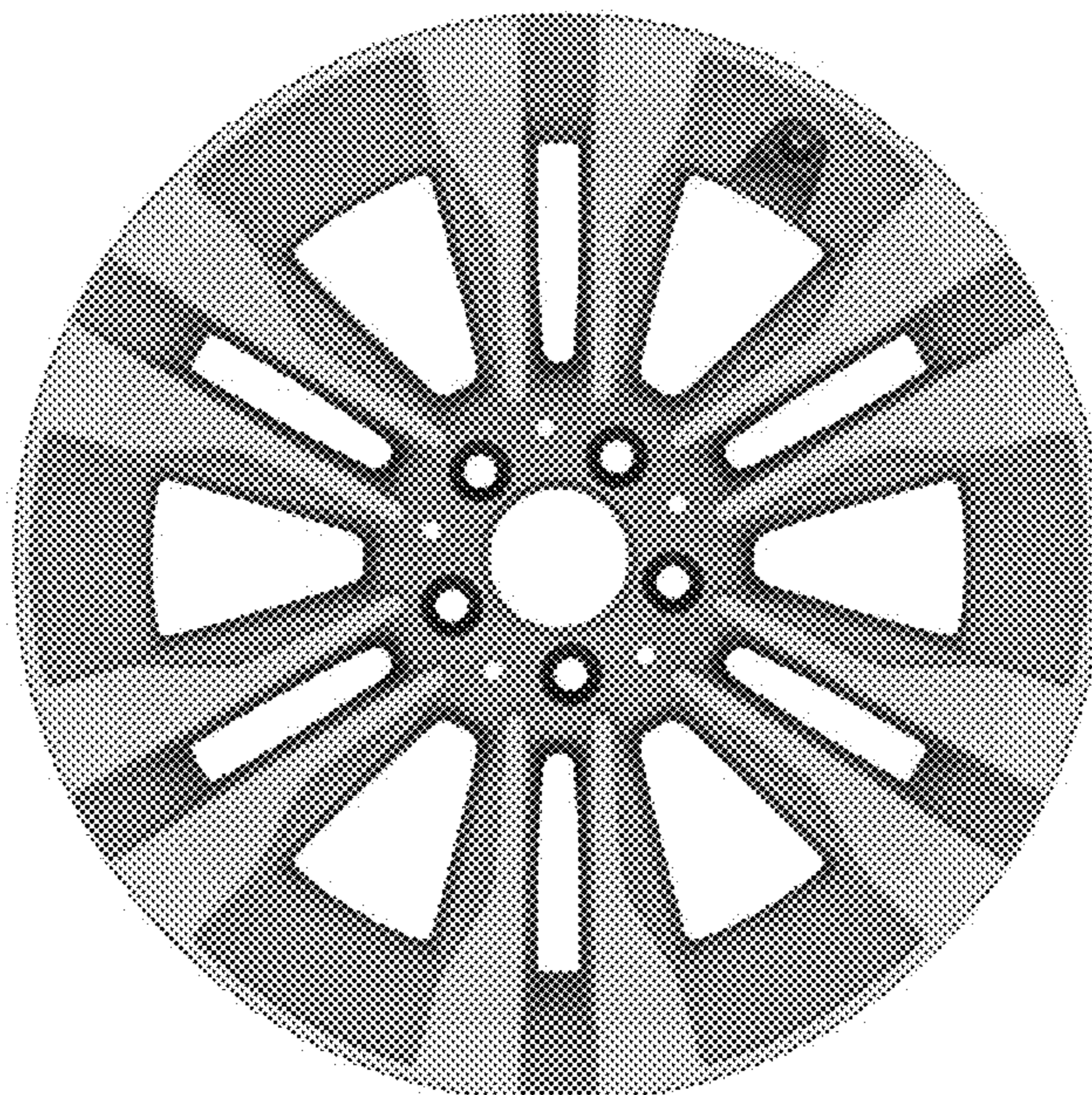
(57) **CLAIM**

The ornamental design for a vehicle wheel, as shown and described.

**DESCRIPTION**

FIG. 1 is a front view of a vehicle wheel according to the design;  
 FIG. 2 is a perspective view thereof;  
 FIG. 3 is a left side view thereof;  
 FIG. 4 is a right side view thereof;  
 FIG. 5 is a rear view thereof;  
 FIG. 6 is a top view thereof; and,  
 FIG. 7 is a bottom view thereof.

**1 Claim, 7 Drawing Sheets**





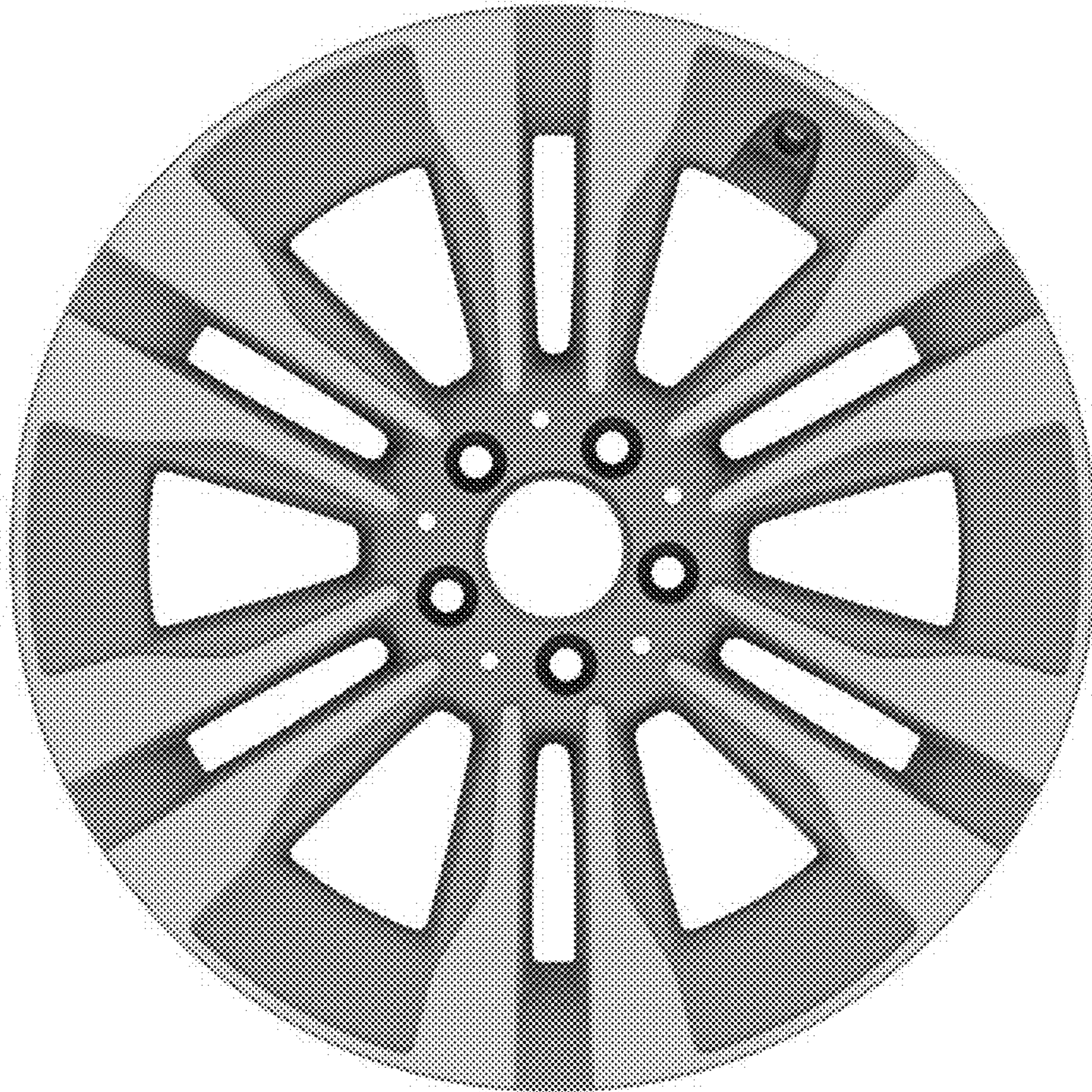


Fig. 1



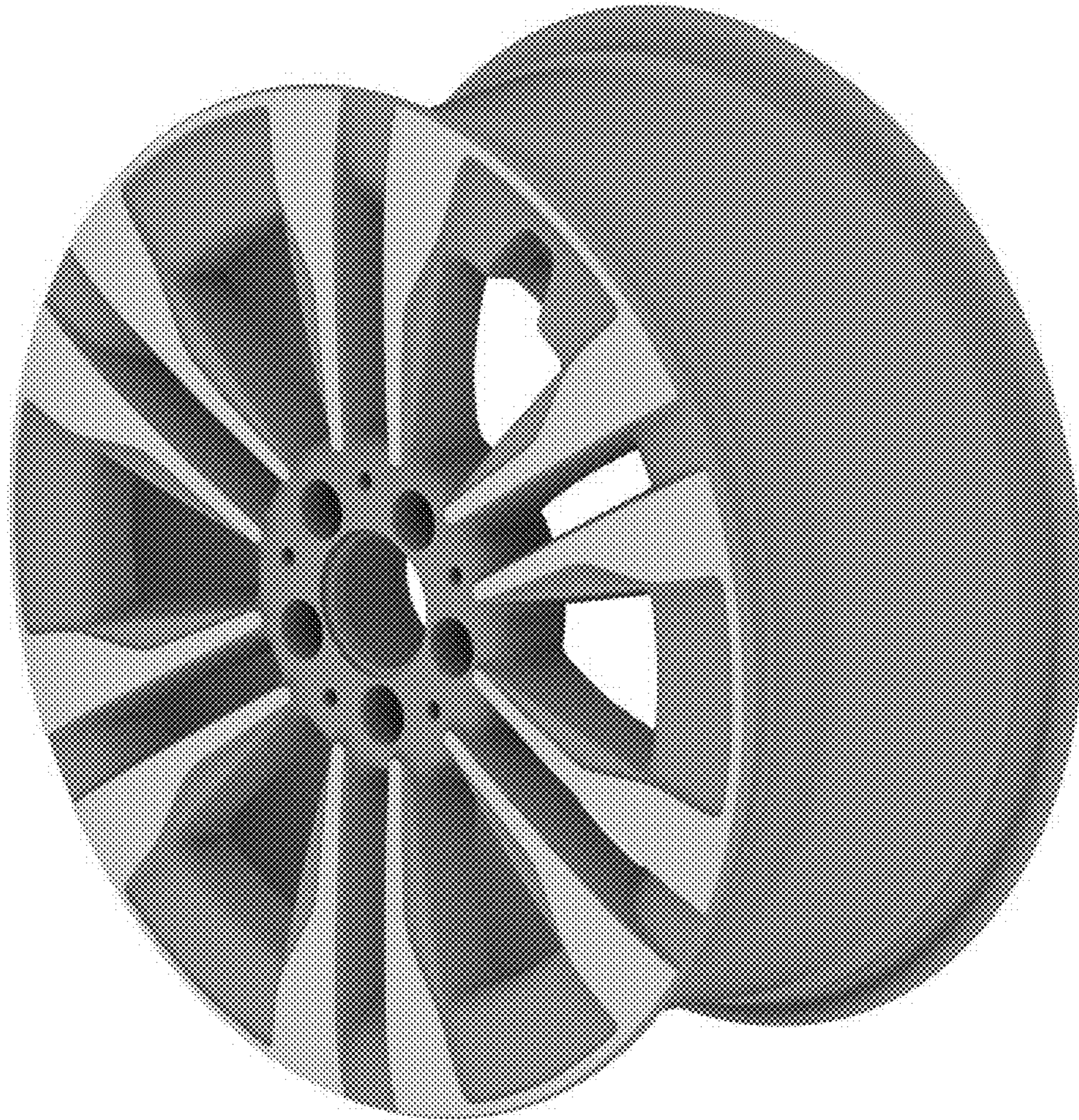


Fig. 2



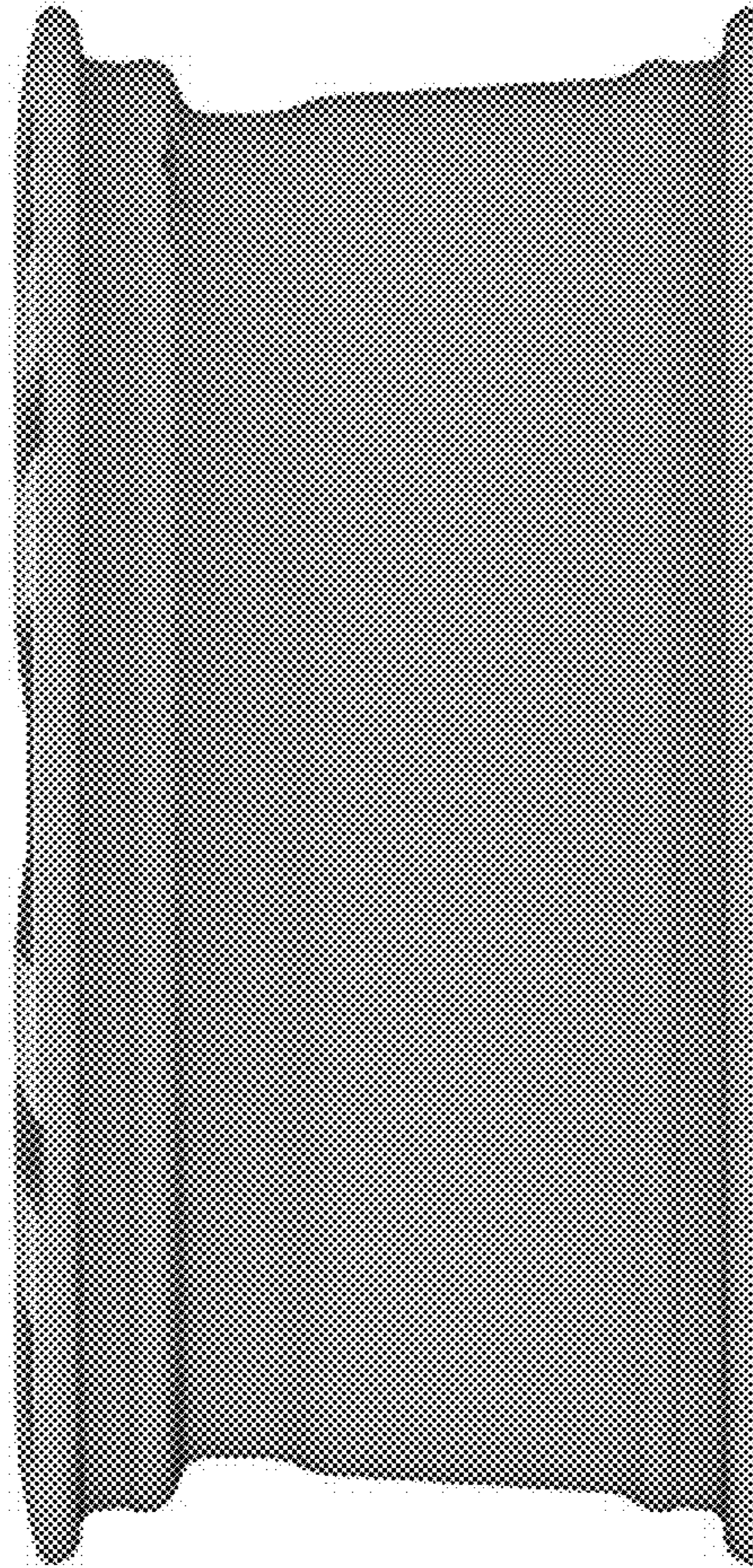


Fig. 3

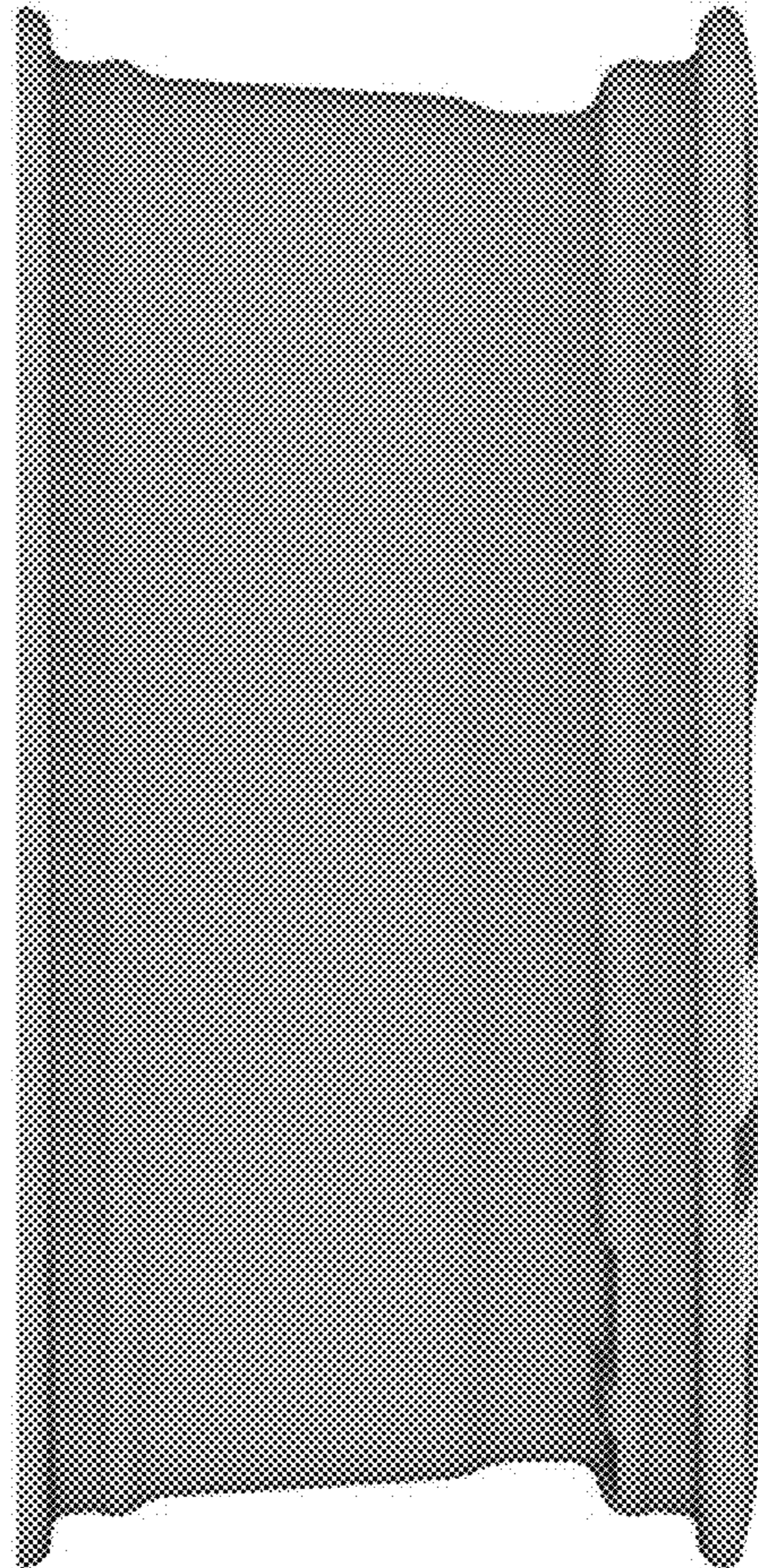


Fig. 4



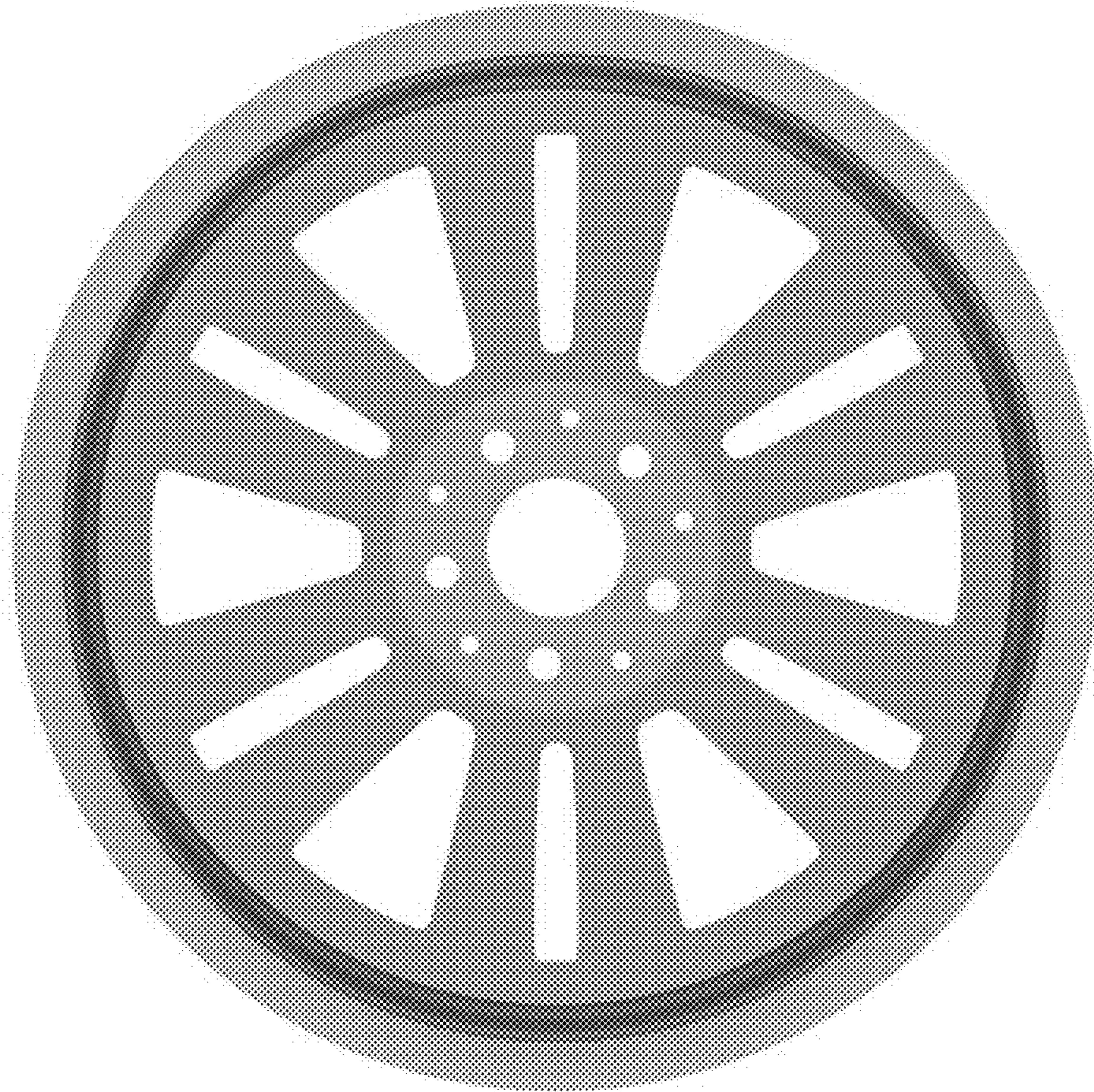


Fig. 5

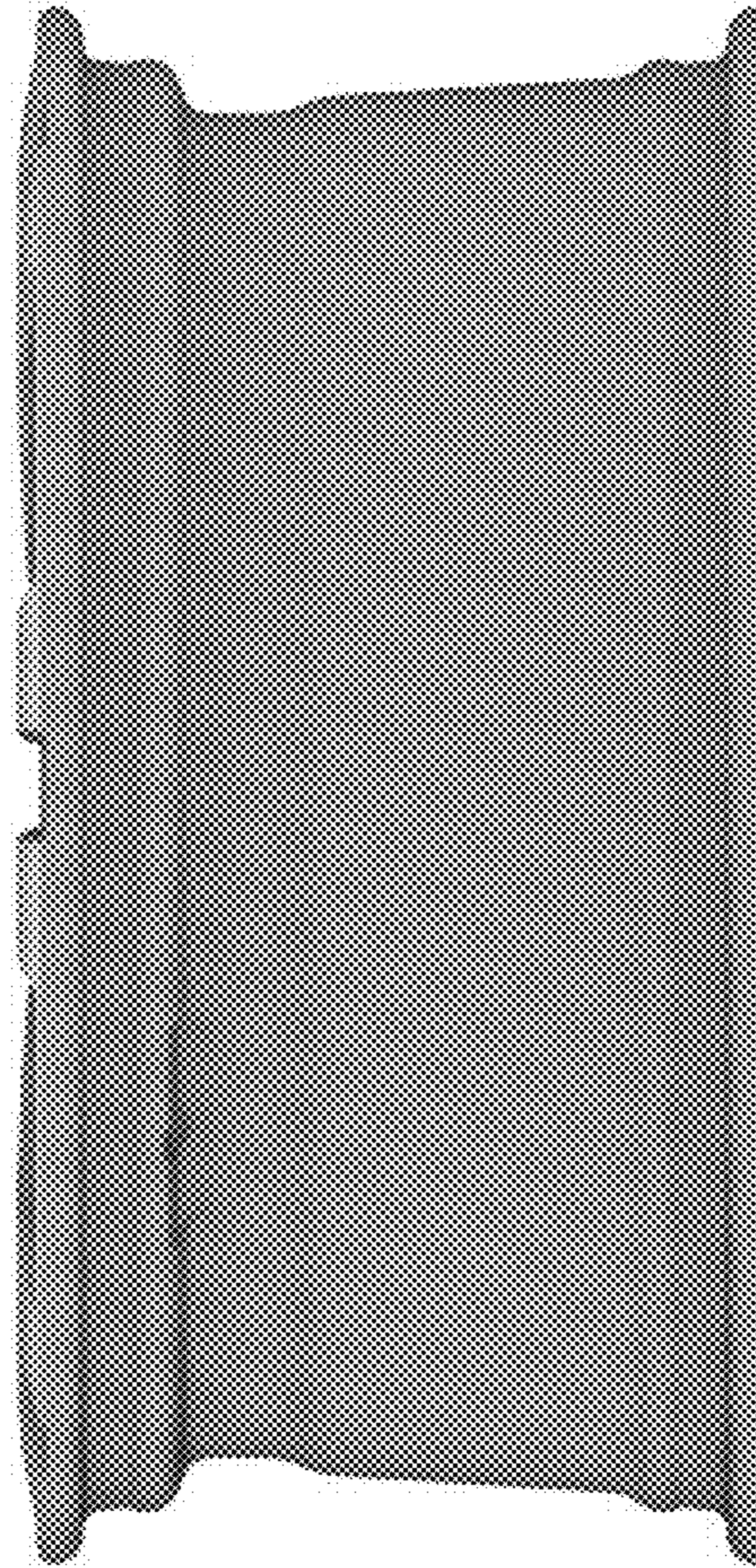


Fig. 6



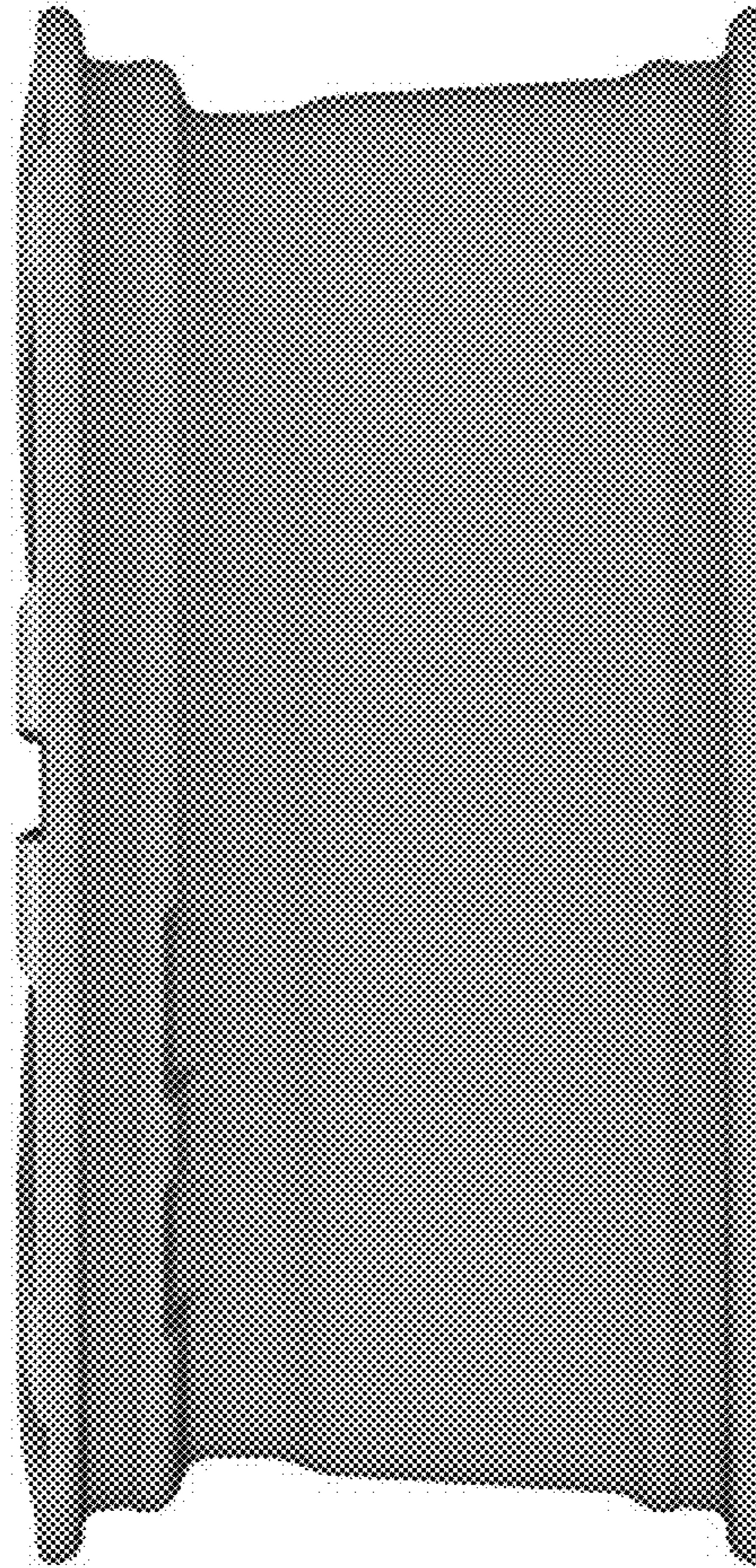


Fig. 7