



US00D955948S

(12) **United States Design Patent**
Hovind et al.

(10) **Patent No.:** **US D955,948 S**

(45) **Date of Patent:** **** Jun. 28, 2022**

- (54) **MIRROR ARM**
- (71) Applicant: **PACCAR Inc**, Bellevue, WA (US)
- (72) Inventors: **Steve Hovind**, Bellevue, WA (US);
Scott Temple, Bellevue, WA (US)
- (73) Assignee: **PACCAR Inc**, Bellevue, WA (US)
- (**) Term: **15 Years**
- (21) Appl. No.: **29/759,524**
- (22) Filed: **Nov. 23, 2020**
- (51) **LOC (13) Cl.** **12-16**
- (52) **U.S. Cl.**
USPC **D12/187**
- (58) **Field of Classification Search**
USPC D12/187, 188, 400, 300, 309
CPC B60R 1/076; G02B 7/182; G02B 5/08;
G02B 7/18
See application file for complete search history.

- D791,659 S * 7/2017 Ito B60R 1/12
D12/187
- D815,576 S * 4/2018 Chiang B60R 1/12
D12/187
- D938,877 S * 12/2021 Medina D12/187
- 2006/0103957 A1 * 5/2006 Olijnyk B60R 1/0605
359/872

OTHER PUBLICATIONS

- “T800,” Kenworth Truck Company, 2002, 32-page brochure.
- “T800,” Kenworth Truck Company, 2003, 32-page brochure.
- “T800,” Kenworth Truck Company, 2005, 28-page brochure.
- “T800,” Kenworth Truck Company, 2009, 28-page brochure.
- “T800B,” Kenworth Truck Company, 1993, 8-page brochure.

(Continued)

Primary Examiner — Katrina A Betton
(74) *Attorney, Agent, or Firm* — Seed IP Law Group LLP

(57) **CLAIM**

The ornamental design for a mirror arm, as shown and described.

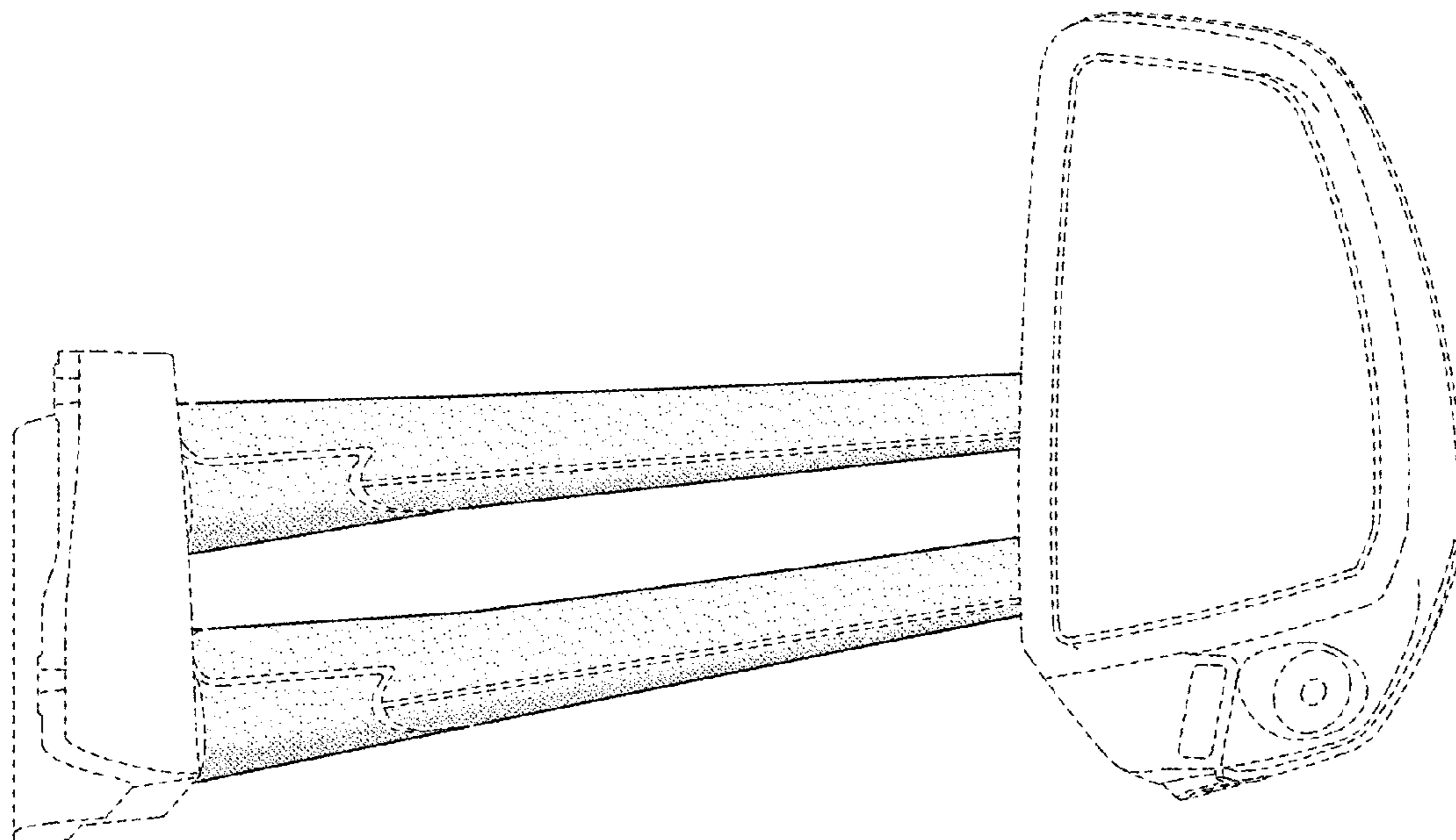
DESCRIPTION

FIG. 1 is a top isometric view of a mirror arm, showing our new design.
 FIG. 2 is a bottom isometric view thereof.
 FIG. 3 is a front elevational view thereof.
 FIG. 4 is a rear elevational view thereof.
 FIG. 5 is a right side elevational view thereof.
 FIG. 6 is a left side elevational view thereof.
 FIG. 7 is a top plan view thereof; and,
 FIG. 8 is a bottom plan view thereof.
 Stippling in the drawings represent the three-dimensional contours of the design, and is not intended to indicate surface decoration. The broken lines shown in the drawings depict portions of the mirror arm or surrounding environment that form no part of the claimed design.

1 Claim, 8 Drawing Sheets

(56) **References Cited**
U.S. PATENT DOCUMENTS

D302,964 S	8/1989	Fingerle	
D318,837 S	8/1991	Richardson et al.	
D325,017 S	3/1992	Richardson et al.	
D578,942 S *	10/2008	Courbon	D12/187
D581,334 S *	11/2008	Courbon	D12/187
D690,635 S *	10/2013	Hovind	D12/187
D698,714 S *	2/2014	Ewringmann	D12/187
D699,653 S *	2/2014	Markstaller	D12/187
D702,607 S *	4/2014	Hall	D12/187
D702,608 S	4/2014	Hall et al.	
D702,609 S *	4/2014	Hovind	D12/187
D702,610 S	4/2014	Hall et al.	
D714,710 S *	10/2014	Hall	B60R 1/04 D12/187
D727,812 S *	4/2015	Hanson	D12/187



(56)

References Cited

OTHER PUBLICATIONS

Peterbilt Motors Company, "The Working Class," Sep. 1976, 6-page brochure.

"The World's Best," Kenworth Truck Company, 1992, 12-page brochure.

"W900," Kenworth Truck Company, 1996, 7-page brochure.

"W900," Kenworth Truck Company, 2002, 32-page brochure.

"W900," Kenworth Truck Company, 2005, 28-page brochure.

"W900," Kenworth Truck Company, 2009, 28-page brochure.

Kenworth Truck Company, "W900L AeroCab," 1994, 2-page brochure.

Kenworth Truck Company, "AeroCab," 1993, 5-page brochure.

"AeroCab," Kenworth Truck Company, as early as 1995, 3-page brochure.

"C500B," Kenworth Truck Company, as early as 1990, 4-page brochure.

Peterbilt Motors Company, "Class Pays, Medium Duty," Sep. 2000, 12-page brochure.

"Class Pays, Truck Models," Peterbilt Motors Company, Mar. 2005, 24-page brochure.

"Class Pays," Peterbilt Motors Company, Nov. 1998, 10-page brochure.

Peterbilt Motors Company, "Class Pays," Sep. 1997, 10-page brochure.

"Class Pays, Construction Trucks," Peterbilt Motors Company, Nov. 2003, 16-page brochure.

"Kenworth Truck Models," Kenworth Truck Company, 2010, 16-page brochure.

Peterbilt Motors Company, "Model 330," Oct. 1997, 3-page brochure.

Peterbilt Motors Company, "Model 379," Apr. 2005, 2-page brochure.

Peterbilt Motors Company, "Model 379," Mar. 1996, 5-page brochure.

Peterbilt Motors Company, "Rest with Class," Apr. 1978, 4-page brochure.

"T170 Class 5," Kenworth Truck Company, 2008, 4-page brochure.

"T270 Class 6 and T370 Class 7," Kenworth Truck Company, 2008, 6-page brochure.

"T270 Class 6 and T370 Class 7," Kenworth Truck Company, 2009, 6-page brochure.

"T270 Class 6 and T370 Class 7 Hybrid," Kenworth Truck Company, 2009, 6-page brochure.

"T680," Kenworth Truck Company, 2013, 34-page brochure.

"T680," Kenworth Truck Company, 2016, 34-page brochure.

"T880," Kenworth Truck Company, 2017, 32-page brochure.

"Model 579," Peterbilt Motors Company, Oct. 2013, 13-page brochure.

"Medium Duty," Peterbilt Motors Company, 2013, 9-page brochure.

"On-Highway," Peterbilt Motors Company, 2013, 13-page brochure.

"Vocational," Peterbilt Motors Company, 2013, 11-page brochure.

"T440," Kenworth Truck Company, 2010, 6-page brochure.

"T470," Kenworth Truck Company, 2010, 6-page brochure.

"T470H," Kenworth Truck Company, 2009, 2-page brochure.

"Model 220," Peterbilt Motors Company, 2019, 2-page brochure.

"220EV," Peterbilt Motors Company, 2020, 5-page brochure.

"Model 337," Peterbilt Motors Company, 2020, 2-page brochure.

"Model 389," Peterbilt Motors Company, 2019, 2-page brochure.

"Model 348," Peterbilt Motors Company, 2019, 2-page brochure.

"Model 520," Peterbilt Motors Company, 2019, 2-page brochure.

"Model 567," Peterbilt Motors Company, 2020, 16-page brochure.

"567 Heritage," Peterbilt Motors Company, 2017, 2-page brochure.

"Model 579," Peterbilt Motors Company, 2019, 28-page brochure.

"C500," Kenworth Truck Company, 2012, 2-page brochure.

"T680," Kenworth Truck Company, 2019, 40-page brochure.

"T800," Kenworth Truck Company, 2012, 28-page brochure.

"T440/T470," Kenworth Truck Company, 2015, 8-page brochure.

"K270E/K370E," Kenworth Truck Company, 2020, 4-page brochure.

"T170/T270/T370," Kenworth Truck Company, 2019, 16-page brochure.

"K270/K370," Kenworth Truck Company, 2014, 12-page brochure.

"W990," Kenworth Truck Company, 2018, 32-page brochure.

"T880," Kenworth Truck Company, 2019, 36-page brochure.

"Model 367," Peterbilt Motors Company, <https://www.peterbilt.com/trucks/vocational/model-367>, retrieved Nov. 20, 2020, 12 pages.

"Model 365," Peterbilt Motors Company, <https://www.peterbilt.com/trucks/vocational/model-365>, retrieved Nov. 20, 2020, 11 pages.

"Model 325," Peterbilt Motors Company, <https://www.peterbilt.com/trucks/medium-duty/model-325>, retrieved Nov. 20, 2020, 12 pages.

U.S. Appl. No. 29/759,497, filed Nov. 23, 2020.

* cited by examiner

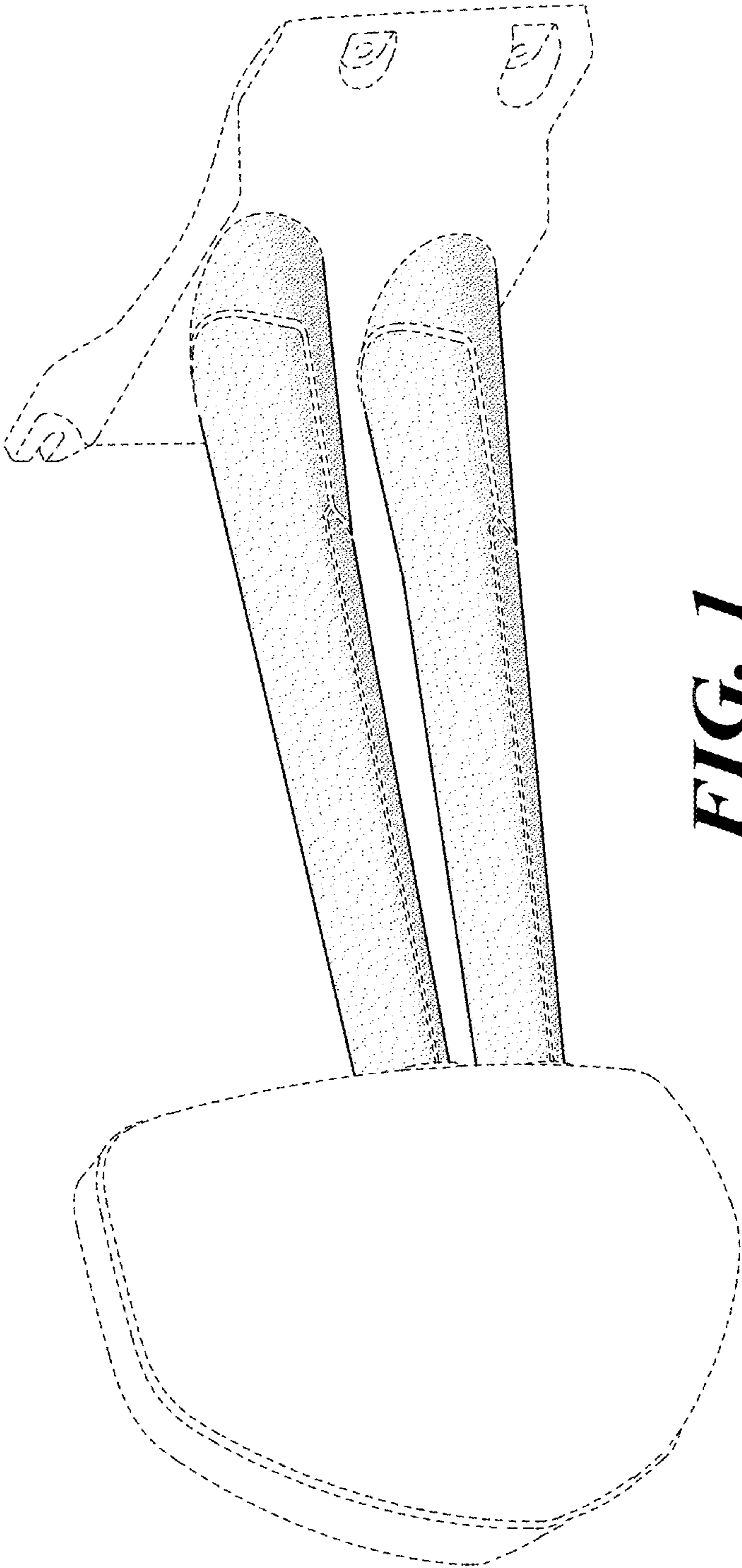


FIG. 1

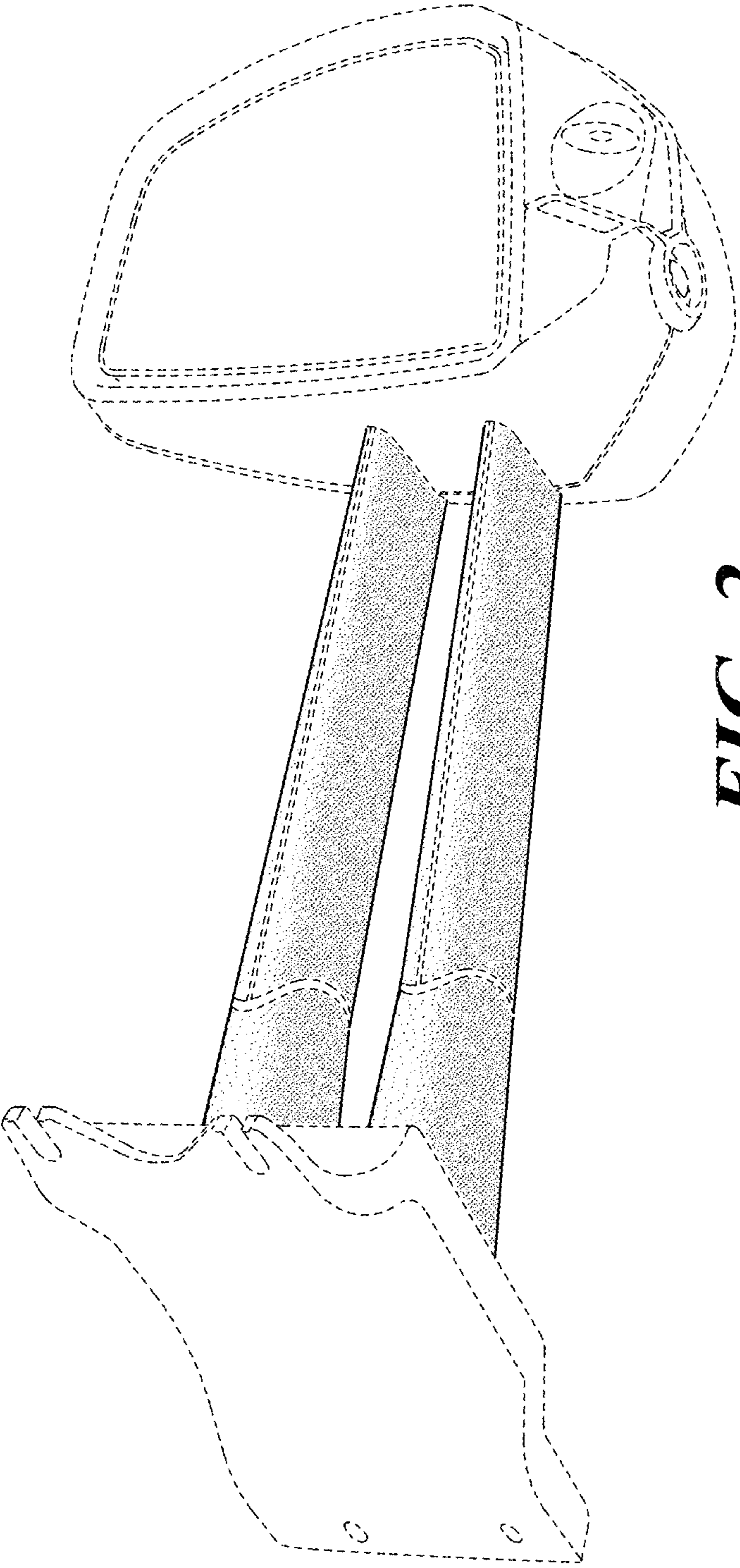


FIG. 2

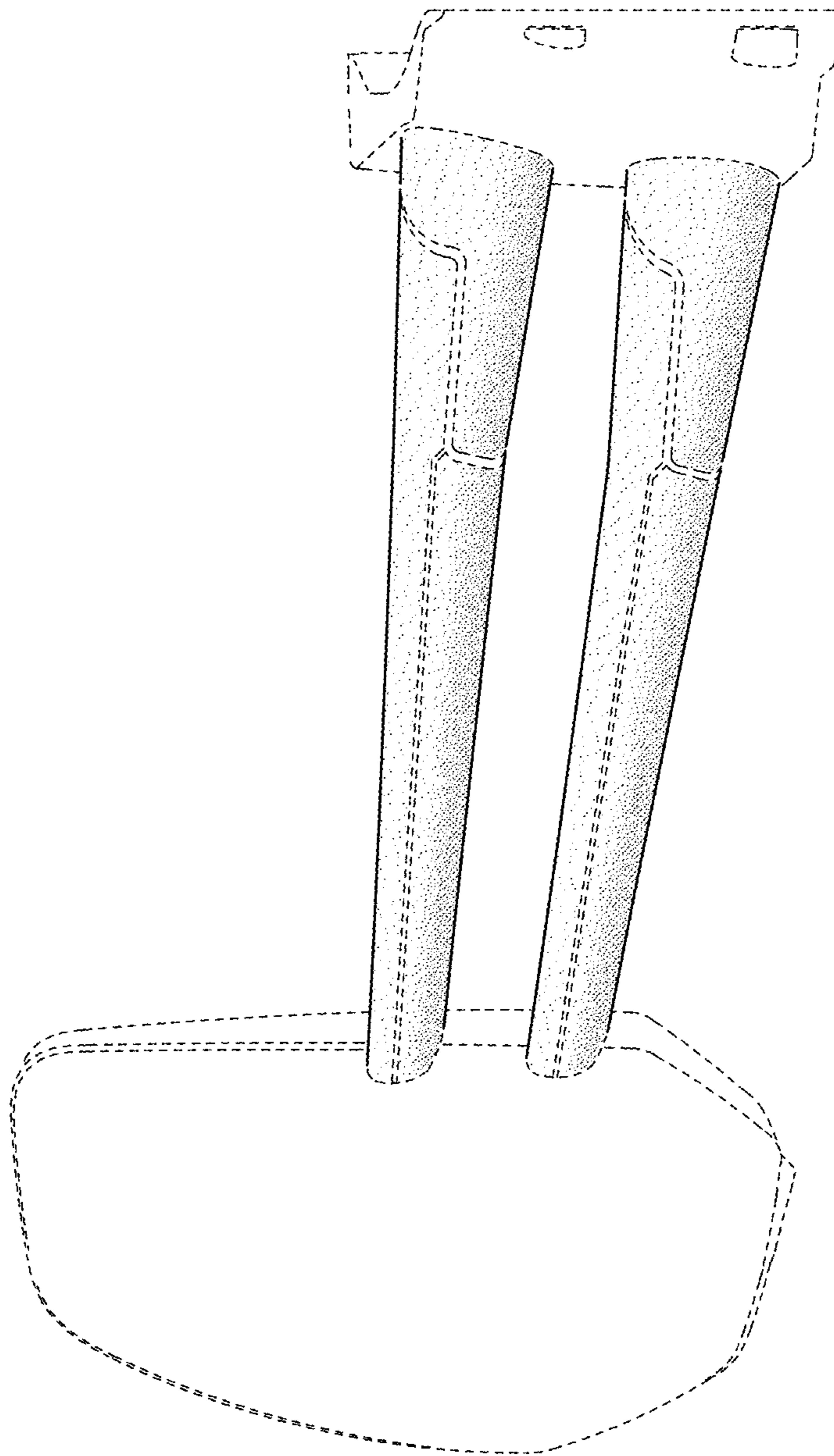


FIG. 3

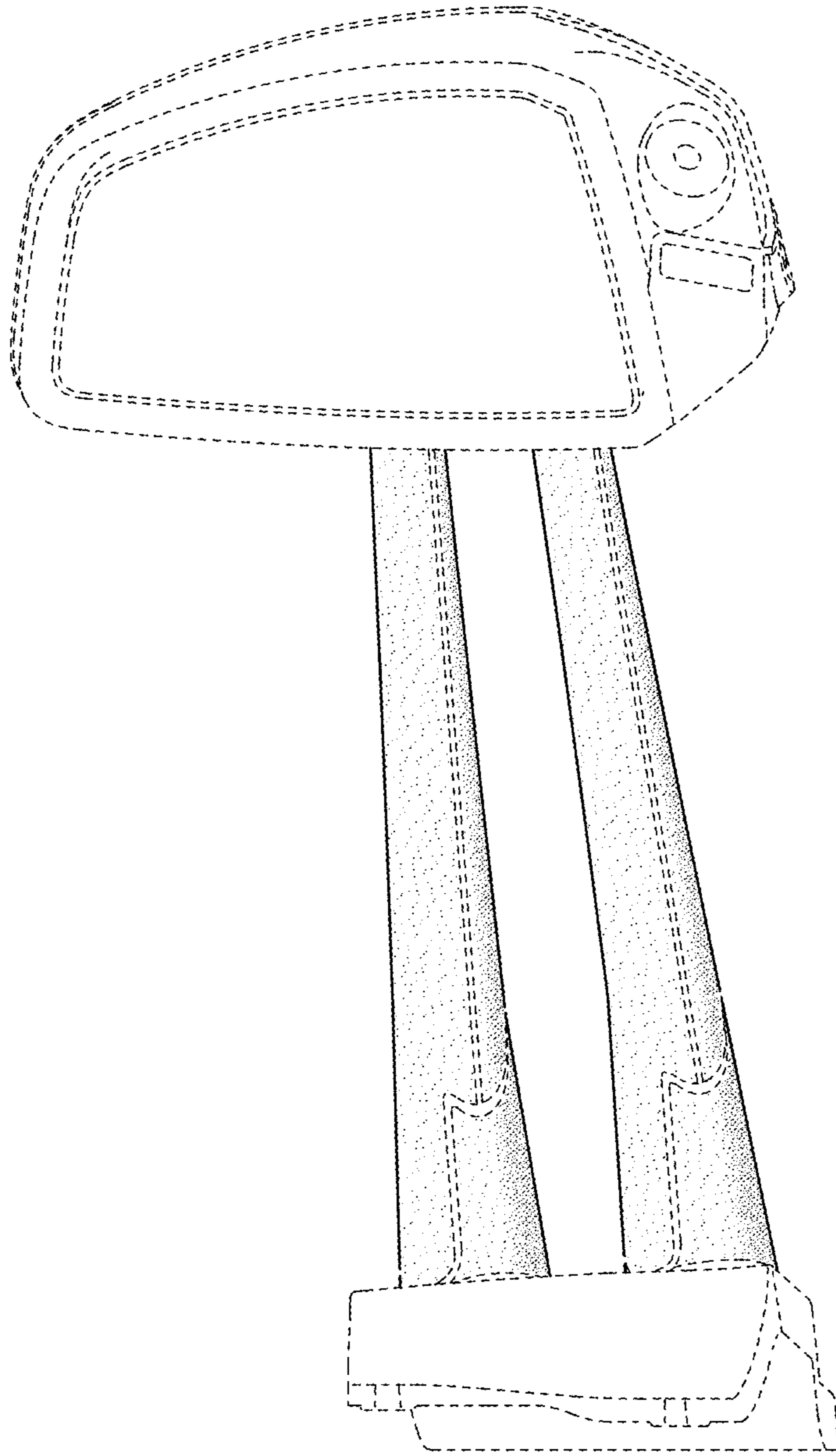


FIG. 4

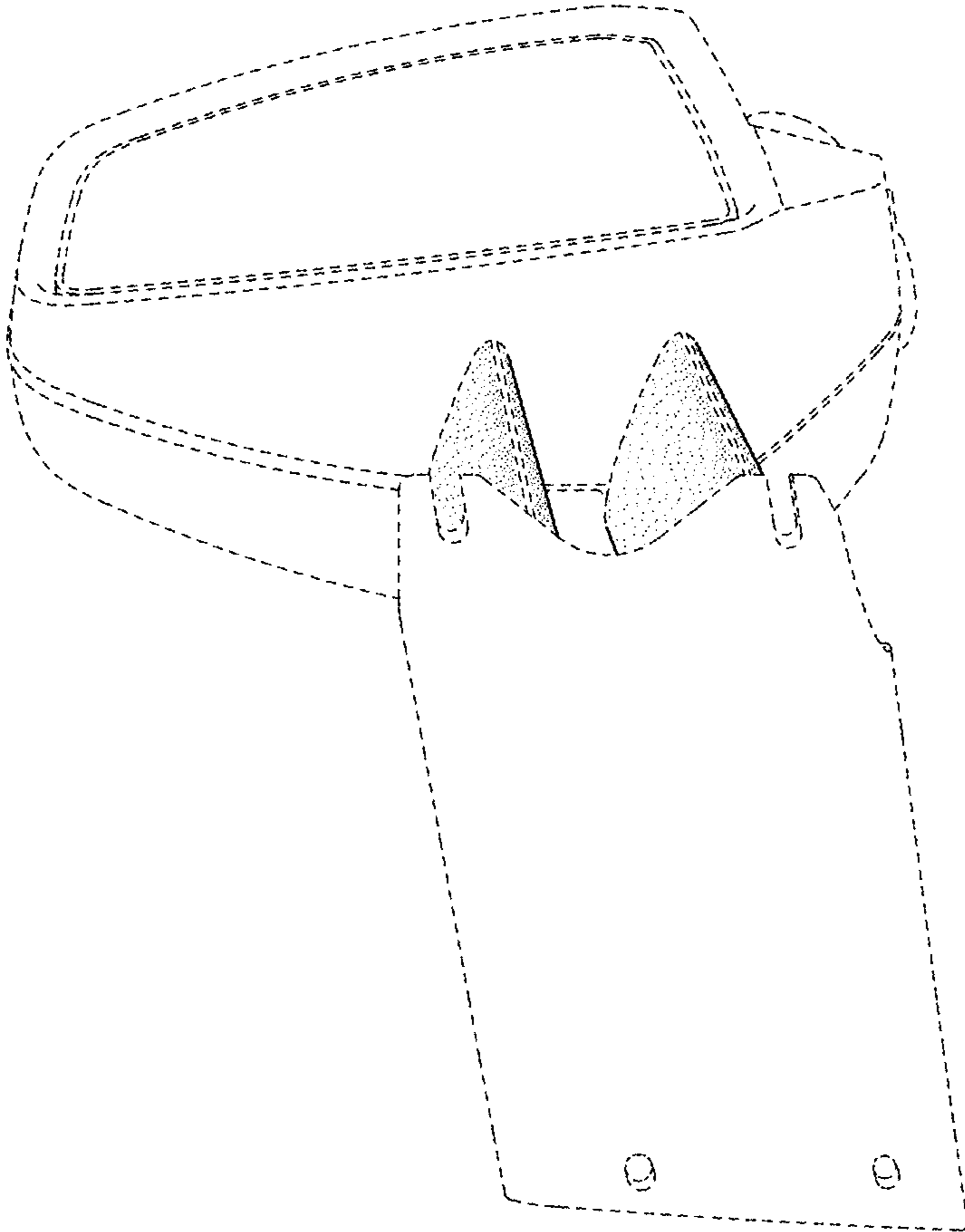


FIG. 5

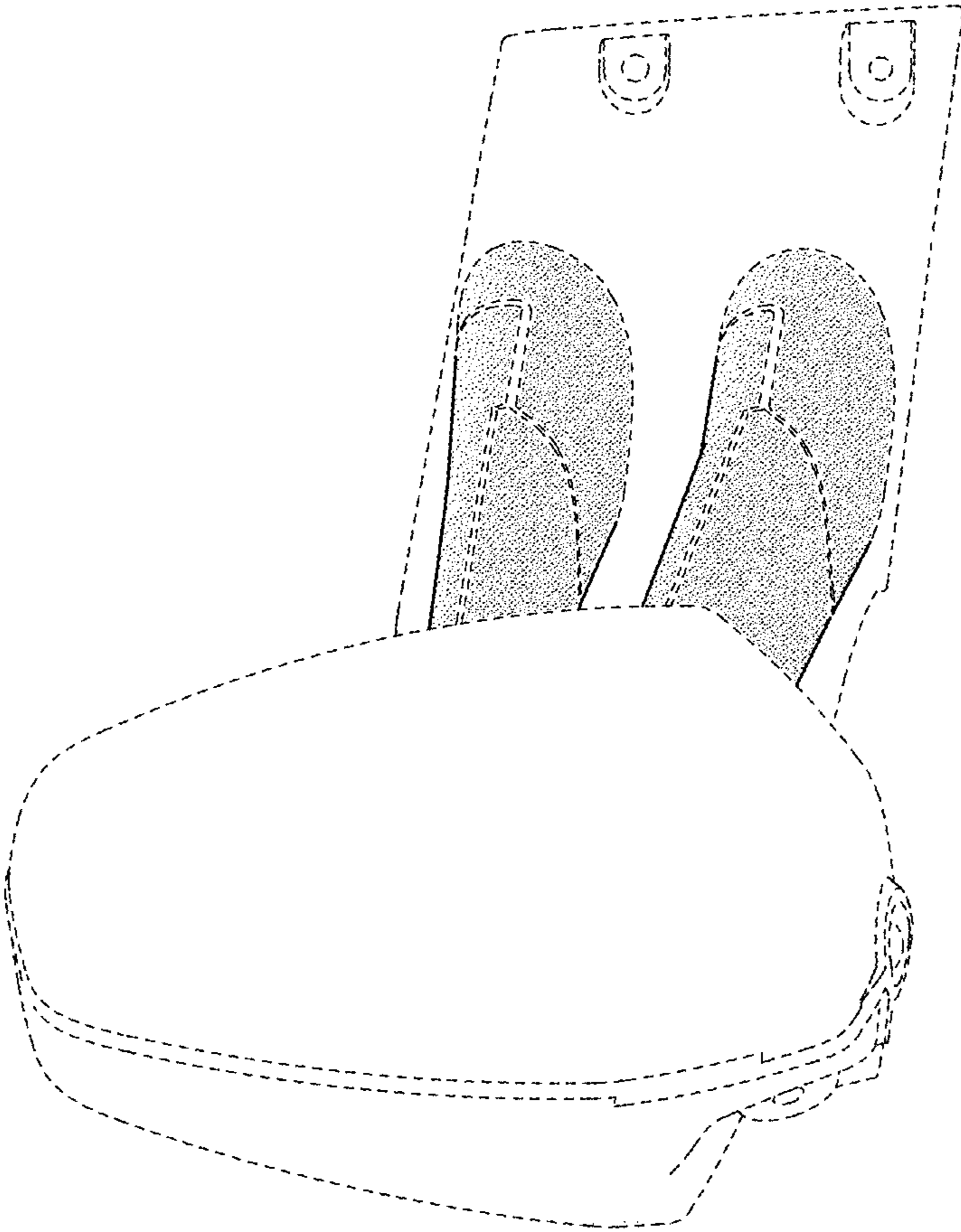


FIG. 6

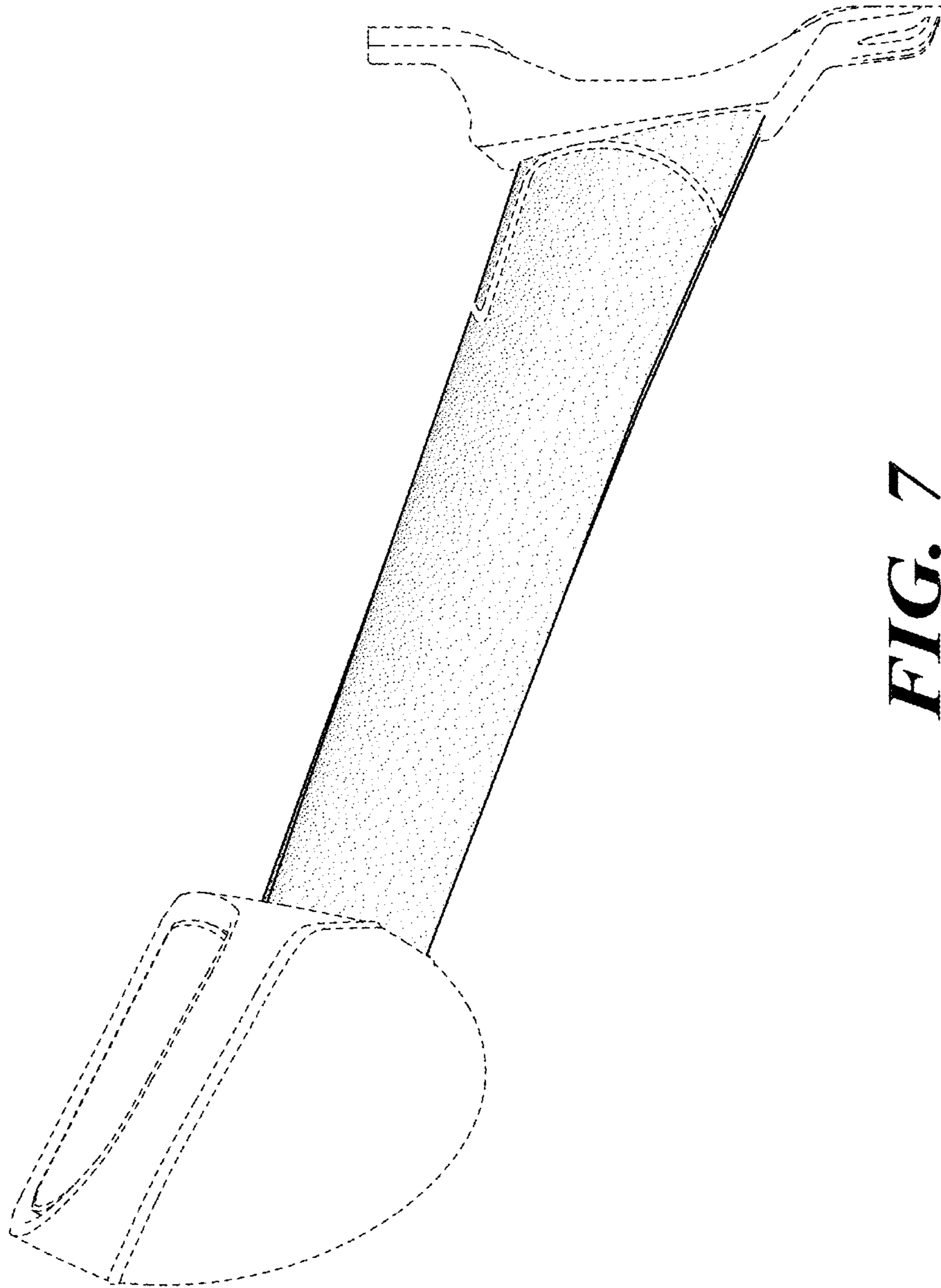


FIG. 7

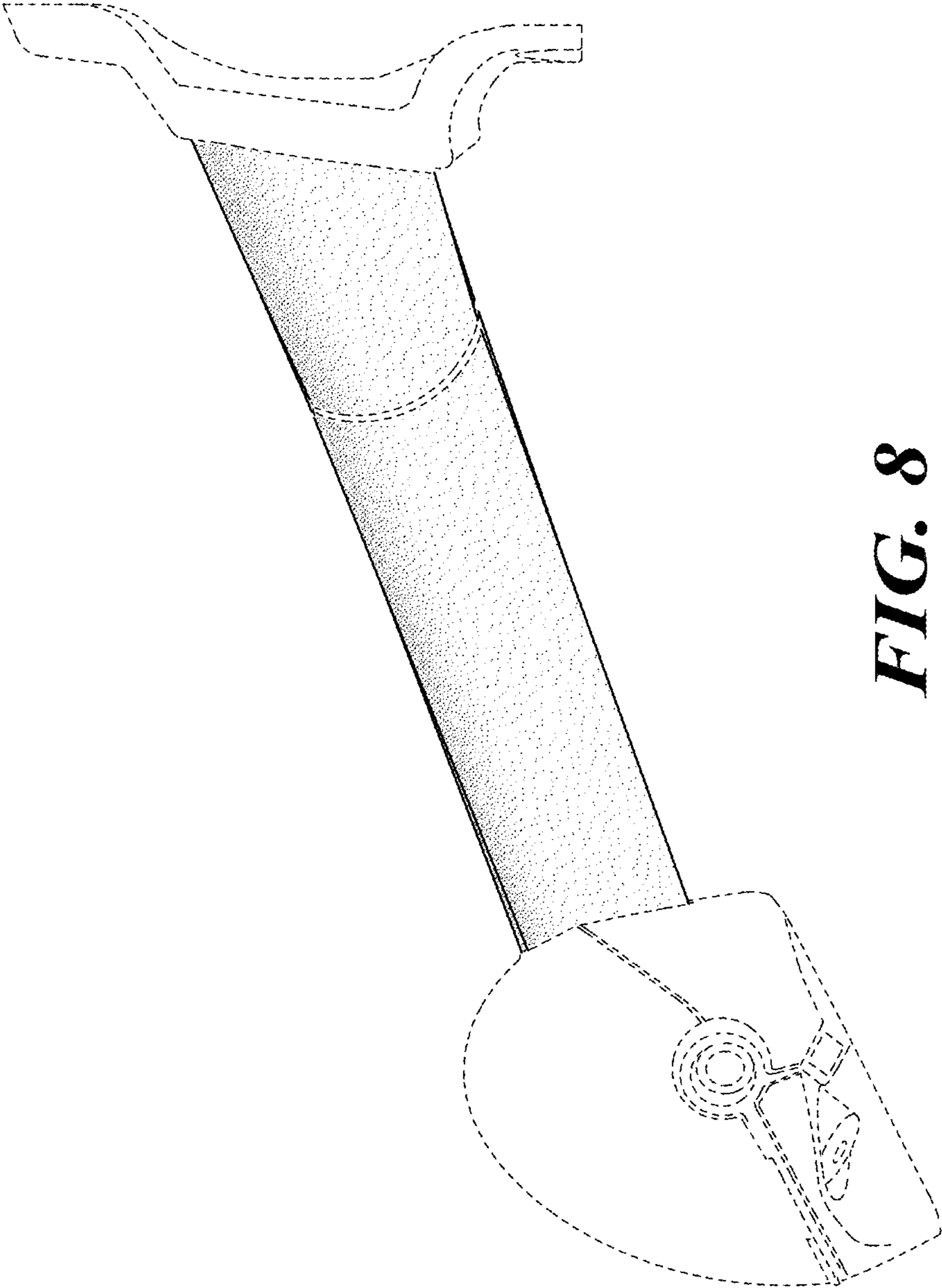


FIG. 8