



US00D955947S

(12) **United States Design Patent**  
**Medina et al.**

(10) **Patent No.:** **US D955,947 S**  
(45) **Date of Patent:** **\*\* Jun. 28, 2022**

(54) **VEHICLE MIRROR**

D731,374 S \* 6/2015 Roberts ..... D12/187  
D731,375 S \* 6/2015 Roberts ..... D12/187  
D775,033 S \* 12/2016 Wang ..... D12/190

(71) Applicant: **PACCAR Inc**, Bellevue, WA (US)

(Continued)

(72) Inventors: **Dimitri Trinidad Medina**, Plano, TX (US); **Jon Forrest Acton**, Fort Worth, TX (US); **Jeffrey Paul Smith**, Prosper, TX (US); **Brad Powell**, Corinth, TX (US); **Victor Garcia**, Aubrey, TX (US)

**OTHER PUBLICATIONS**

“T800,” Kenworth Truck Company, 2002, 32-page brochure.  
(Continued)

(73) Assignee: **PACCAR Inc**, Bellevue, WA (US)

*Primary Examiner* — Katrina A Betton

(74) *Attorney, Agent, or Firm* — Seed IP Law Group LLP

(\*\*) Term: **15 Years**

(57) **CLAIM**

The ornamental design for a vehicle mirror, as shown and described.

(21) Appl. No.: **29/753,020**

**DESCRIPTION**

(22) Filed: **Sep. 29, 2020**

(51) **LOC (13) Cl.** ..... **12-16**

(52) **U.S. Cl.**

USPC ..... **D12/187**

(58) **Field of Classification Search**

USPC ..... D12/187, 400, 188, 189; D6/300, 309

CPC ..... G02B 7/182; G02B 5/08; G02B 7/18

See application file for complete search history.

FIG. 1 is a top isometric view of a vehicle mirror, showing an embodiment of our new design.  
FIG. 2 is a bottom isometric view thereof.  
FIG. 3 is a front elevational view thereof.  
FIG. 4 is a rear elevational view thereof.  
FIG. 5 is a right side elevational view thereof.  
FIG. 6 is a left side elevational view thereof.  
FIG. 7 is a top plan view thereof.  
FIG. 8 is a bottom plan view thereof.  
FIG. 9 is a top isometric view of a vehicle mirror, showing another embodiment of our new design.  
FIG. 10 is a bottom isometric view thereof.  
FIG. 11 is a front elevational view thereof.  
FIG. 12 is a rear elevational view thereof.  
FIG. 13 is a right side elevational view thereof.  
FIG. 14 is a left side elevational view thereof.  
FIG. 15 is a top plan view thereof; and,  
FIG. 16 is a bottom plan view thereof.

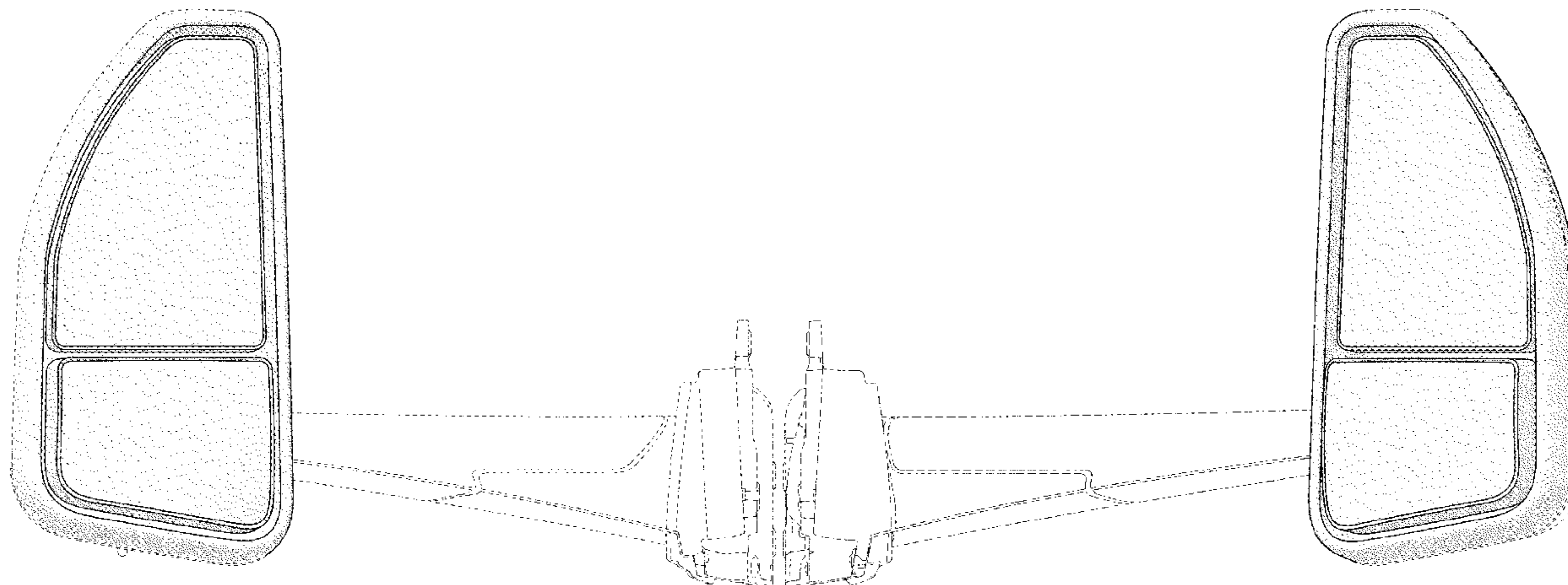
Stippling in the drawings represent the three-dimensional contours of the design, and is not intended to indicate surface decoration. The broken lines shown in the drawings depict portions of the vehicle mirror that form no part of the claimed design.

(56) **References Cited**

**U.S. PATENT DOCUMENTS**

D302,964 S	8/1989	Fingerle	
D318,837 S	8/1991	Richardson et al.	
D325,017 S	3/1992	Richardson et al.	
D575,708 S *	8/2008	Courbon	D12/187
D581,334 S *	11/2008	Courbon	D12/187
D690,635 S *	10/2013	Hovind	D12/187
D699,653 S *	2/2014	Markstaller	D12/187
8,657,249 B2 *	2/2014	Courbon	B60R 1/076 16/334
D702,607 S *	4/2014	Hall	D12/187
D702,608 S *	4/2014	Hall	D12/187
D702,609 S	4/2014	Hovind et al.	
D702,610 S *	4/2014	Hall	D12/187
D714,710 S	10/2014	Hall et al.	

**1 Claim, 16 Drawing Sheets**



(56)

**References Cited**

U.S. PATENT DOCUMENTS

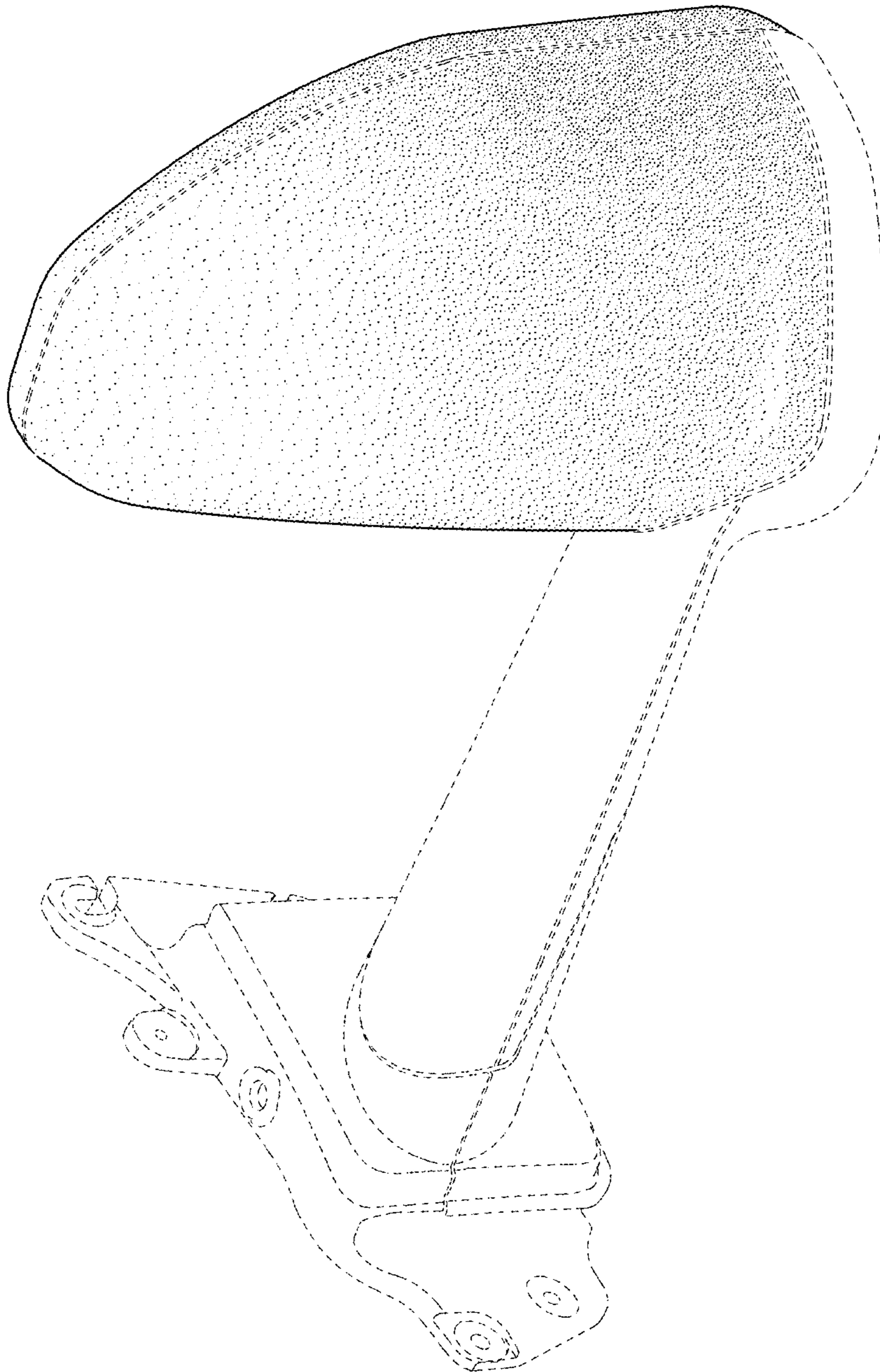
D938,877 S \* 12/2021 Medina ..... D12/187  
 2006/0103957 A1 \* 5/2006 Olijnyk ..... B60R 1/0605  
 359/872

OTHER PUBLICATIONS

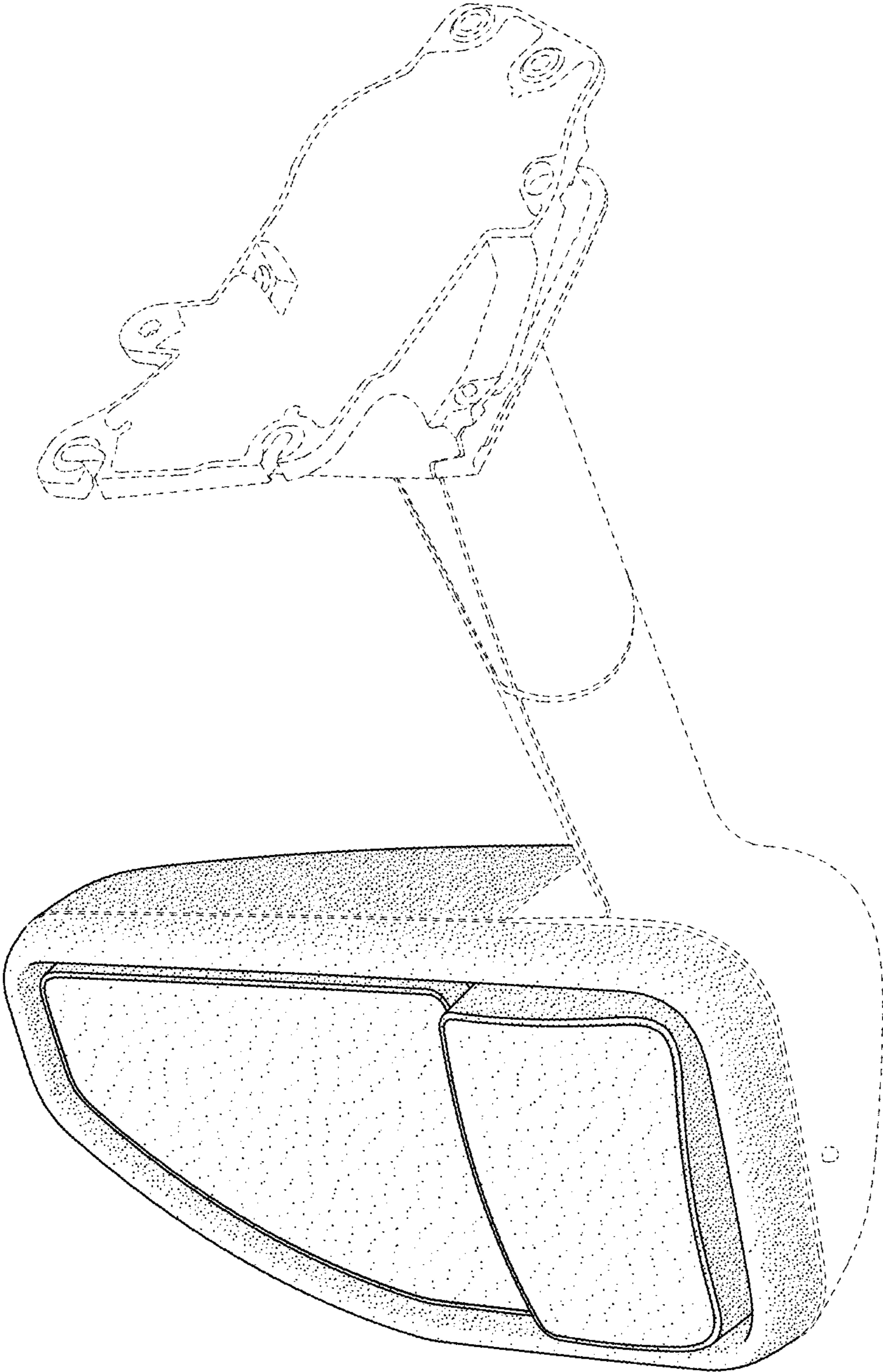
“T800,” Kenworth Truck Company, 2003, 32-page brochure.  
 “T800,” Kenworth Truck Company, 2005, 28-page brochure.  
 “T800,” Kenworth Truck Company, 2009, 28-page brochure.  
 “T800B,” Kenworth Truck Company, 1993, 8-page brochure.  
 Peterbilt Motors Company, “The Working Class,” Sep. 1976, 6-page brochure.  
 “The World’s Best,” Kenworth Truck Company, 1992, 12-page brochure.  
 “W900,” Kenworth Truck Company, 1996, 7-page brochure.  
 “W900,” Kenworth Truck Company, 2002, 32-page brochure.  
 “W900,” Kenworth Truck Company, 2005, 28-page brochure.  
 “W900,” Kenworth Truck Company, 2009, 28-page brochure.  
 Kenworth Truck Company, “W900L AeroCab,” 1994, 2-page brochure.  
 Kenworth Truck Company, “AeroCab,” 1993, 5-page brochure.  
 “AeroCab,” Kenworth Truck Company, as early as 1995, 3-page brochure.  
 “C500B,” Kenworth Truck Company, as early as 1990, 4-page brochure.  
 Peterbilt Motors Company, “Class Pays, Medium Duty,” Sep. 2000, 12-page brochure.  
 “Class Pays, Truck Models,” Peterbilt Motors Company, Mar. 2005, 24-page brochure.  
 “Class Pays,” Peterbilt Motors Company, Nov. 1998, 10-page brochure.  
 Peterbilt Motors Company, “Class Pays,” Sep. 1997, 10-page brochure.  
 “Class Pays, Construction Trucks,” Peterbilt Motors Company, Nov. 2003, 16-page brochure.  
 “Kenworth Truck Models,” Kenworth Truck Company, 2010, 16-page brochure.  
 Peterbilt Motors Company, “Model 330,” Oct. 1997, 3-page brochure.  
 Peterbilt Motors Company, “Model 379,” Apr. 2005, 2-page brochure.  
 Peterbilt Motors Company, “Model 379,” Mar. 1996, 5-page brochure.

Peterbilt Motors Company, “Rest with Class,” Apr. 1978, 4-page brochure.  
 “T170 Class 5,” Kenworth Truck Company, 2008, 4-page brochure.  
 “T270 Class 6 and T370 Class 7,” Kenworth Truck Company, 2008, 6-page brochure.  
 “T270 Class 6 and T370 Class 7,” Kenworth Truck Company, 2009, 6-page brochure.  
 “T270 Class 6 and T370 Class 7 Hybrid,” Kenworth Truck Company, 2009, 6-page brochure.  
 “T680,” Kenworth Truck Company, 2013, 34-page brochure.  
 “T680,” Kenworth Truck Company, 2016, 34-page brochure.  
 “T880,” Kenworth Truck Company, 2017, 32-page brochure.  
 “Model 579,” Peterbilt Motors Company, Oct. 2013, 13-page brochure.  
 “Medium Duty,” Peterbilt Motors Company, 2013, 9-page brochure.  
 “On-Highway,” Peterbilt Motors Company, 2013, 13-page brochure.  
 “Vocational,” Peterbilt Motors Company, 2013, 11-page brochure.  
 “T440,” Kenworth Truck Company, 2010, 6-page brochure.  
 “T470,” Kenworth Truck Company, 2010, 6-page brochure.  
 “T470H,” Kenworth Truck Company, 2009, 2-page brochure.  
 “Model 220,” Peterbilt Motors Company, 2019, 2-page brochure.  
 “220EV,” Peterbilt Motors Company, 2020, 5-page brochure.  
 “Model 337,” Peterbilt Motors Company, 2020, 2-page brochure.  
 “Model 389,” Peterbilt Motors Company, 2019, 2-page brochure.  
 “Model 348,” Peterbilt Motors Company, 2019, 2-page brochure.  
 “Model 520,” Peterbilt Motors Company, 2019, 2-page brochure.  
 “Model 567,” Peterbilt Motors Company, 2020, 16-page brochure.  
 “567 Heritage,” Peterbilt Motors Company, 2017, 2-page brochure.  
 “Model 579,” Peterbilt Motors Company, 2019, 28-page brochure.  
 “C500,” Kenworth Truck Company, 2012, 2-page brochure.  
 “T680,” Kenworth Truck Company, 2019, 40-page brochure.  
 “T800,” Kenworth Truck Company, 2012, 28-page brochure.  
 “T440/T470,” Kenworth Truck Company, 2015, 8-page brochure.  
 “K270E/K370E,” Kenworth Truck Company, 2020, 4-page brochure.  
 “T170/T270/T370,” Kenworth Truck Company, 2019, 16-page brochure.  
 “K270/K370,” Kenworth Truck Company, 2014, 12-page brochure.  
 “W990,” Kenworth Truck Company, 2018, 32-page brochure.  
 “T880,” Kenworth Truck Company, 2019, 36-page brochure.  
 “Model 367,” Peterbilt Motors Company, <https://www.peterbilt.com/trucks/vocational/model-367>, retrieved Nov. 20, 2020, 12 pages.  
 “Model 365,” Peterbilt Motors Company, <https://www.peterbilt.com/trucks/vocational/model-365>, retrieved Nov. 20, 2020, 11 pages.  
 “Model 325,” Peterbilt Motors Company, <https://www.peterbilt.com/trucks/medium-duty/model-325>, retrieved Nov. 20, 2020, 12 pages.

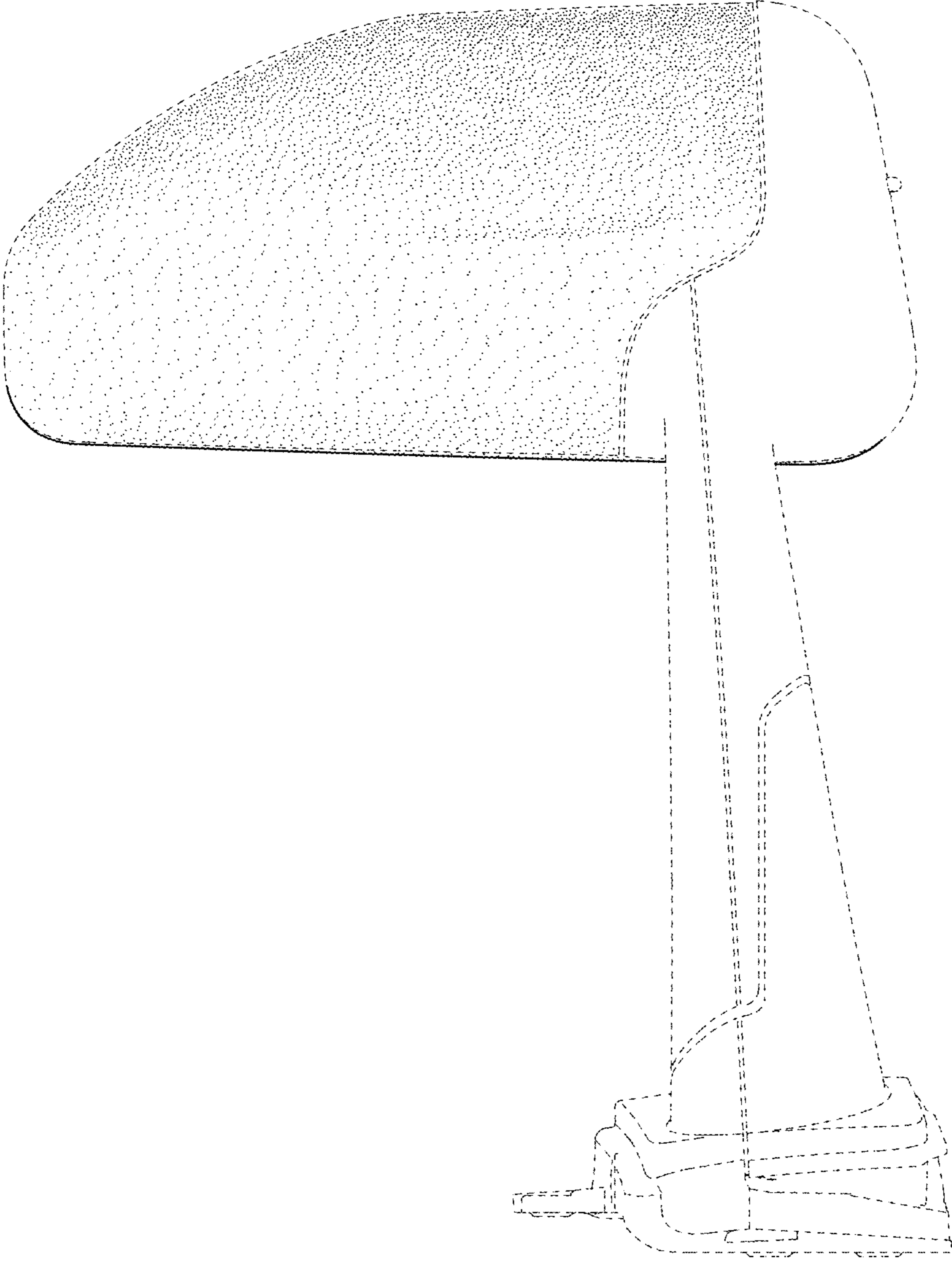
\* cited by examiner



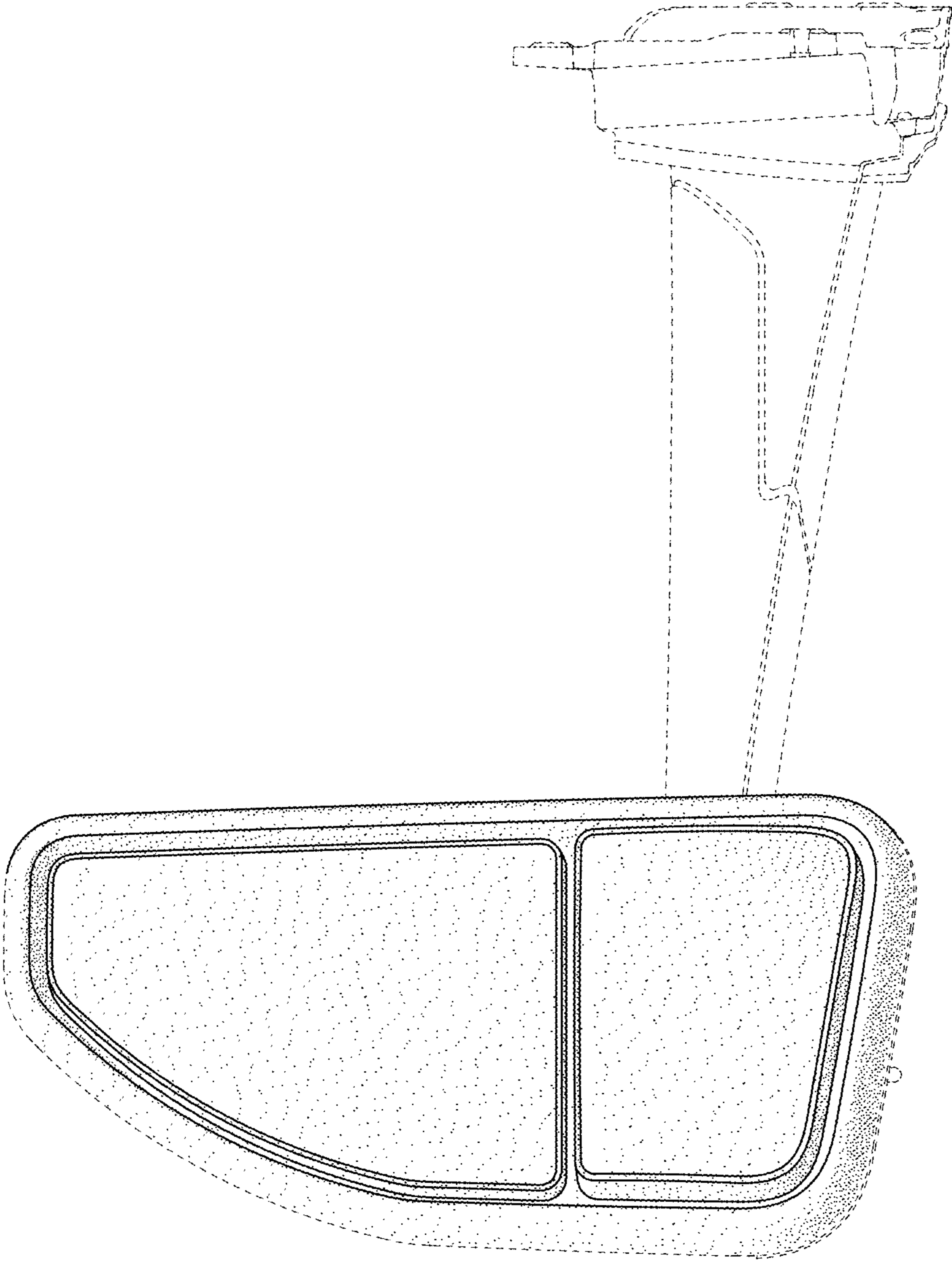
**FIG. 1**



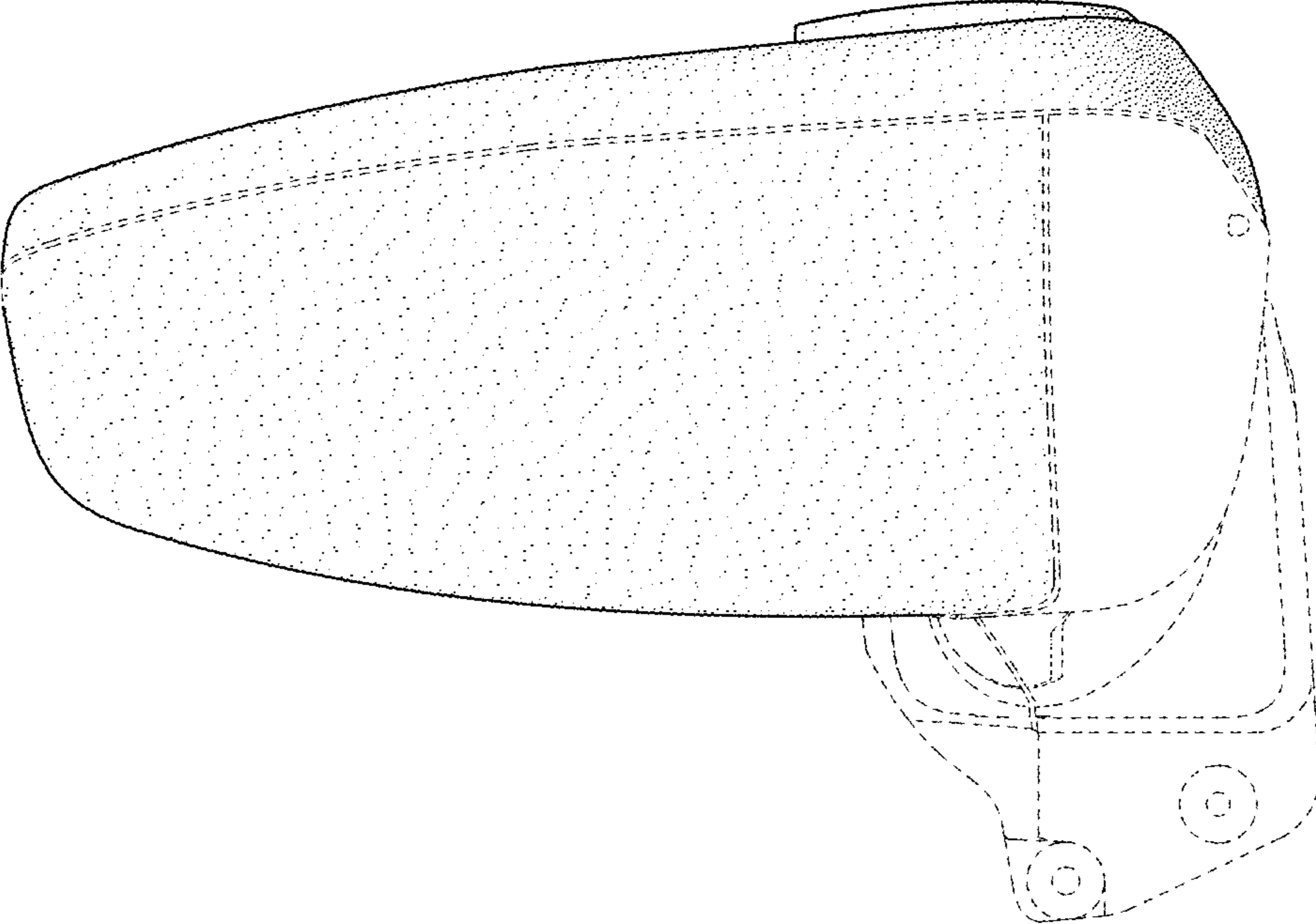
**FIG. 2**



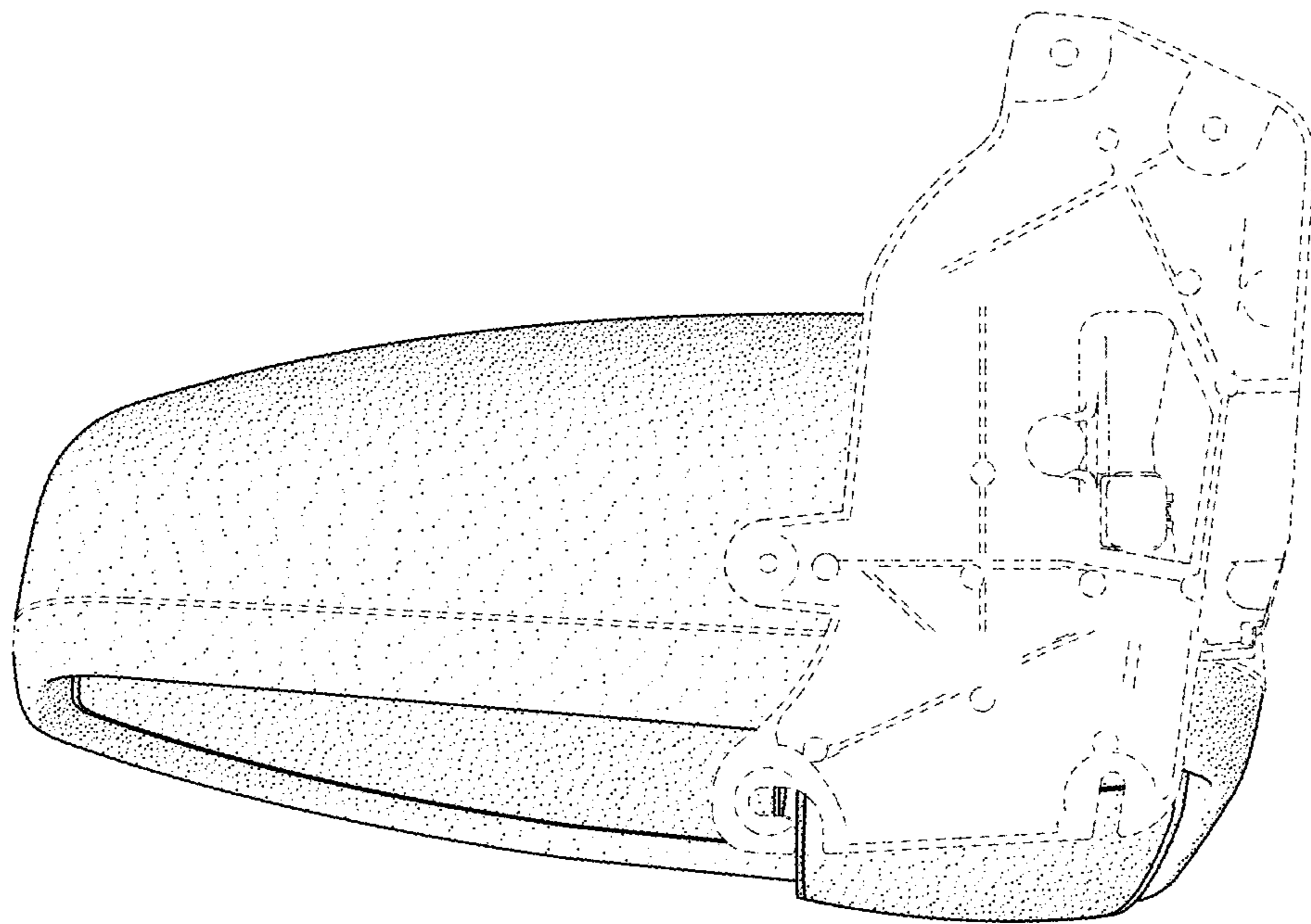
**FIG. 3**



**FIG. 4**

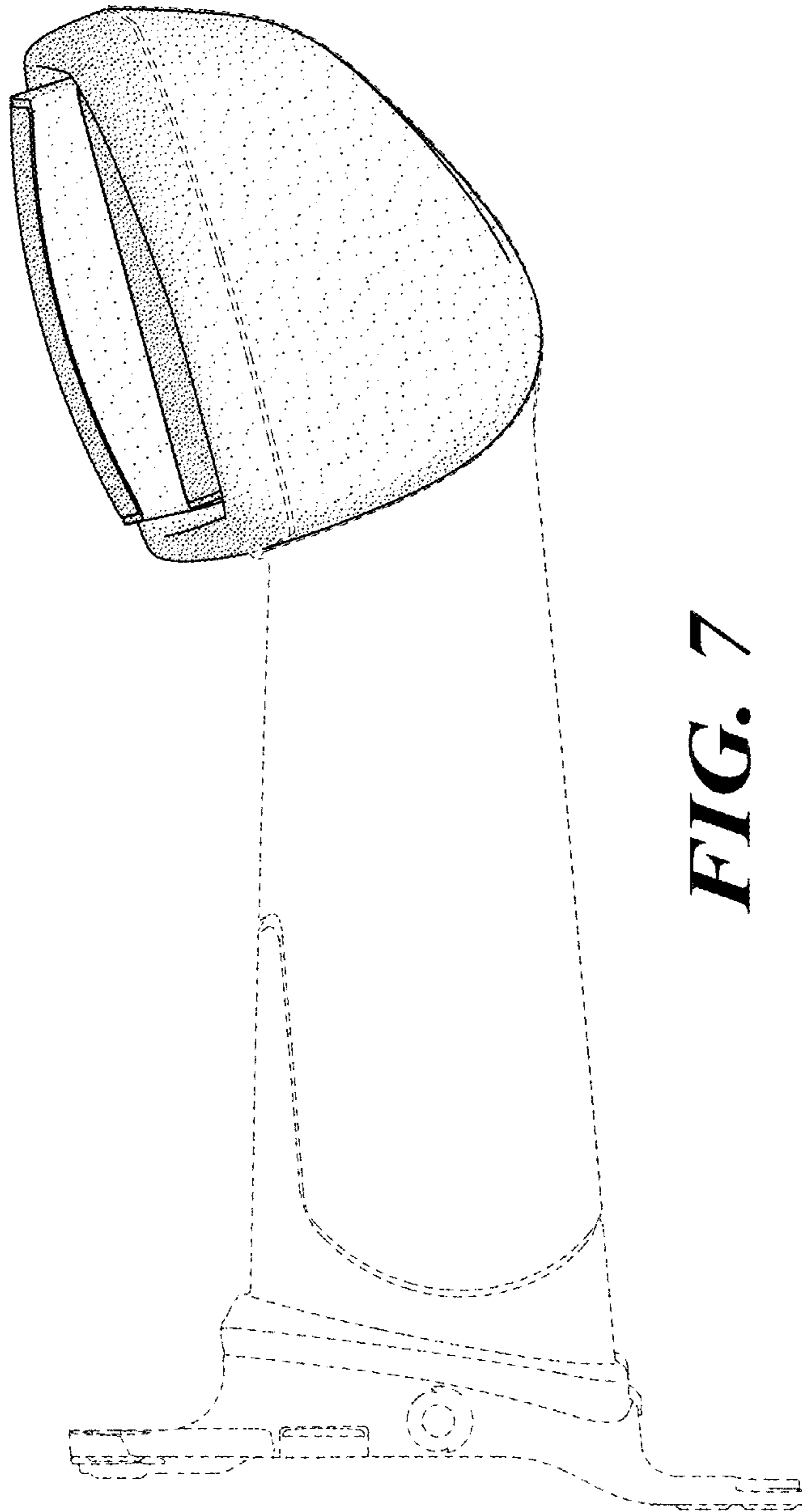


**FIG. 5**

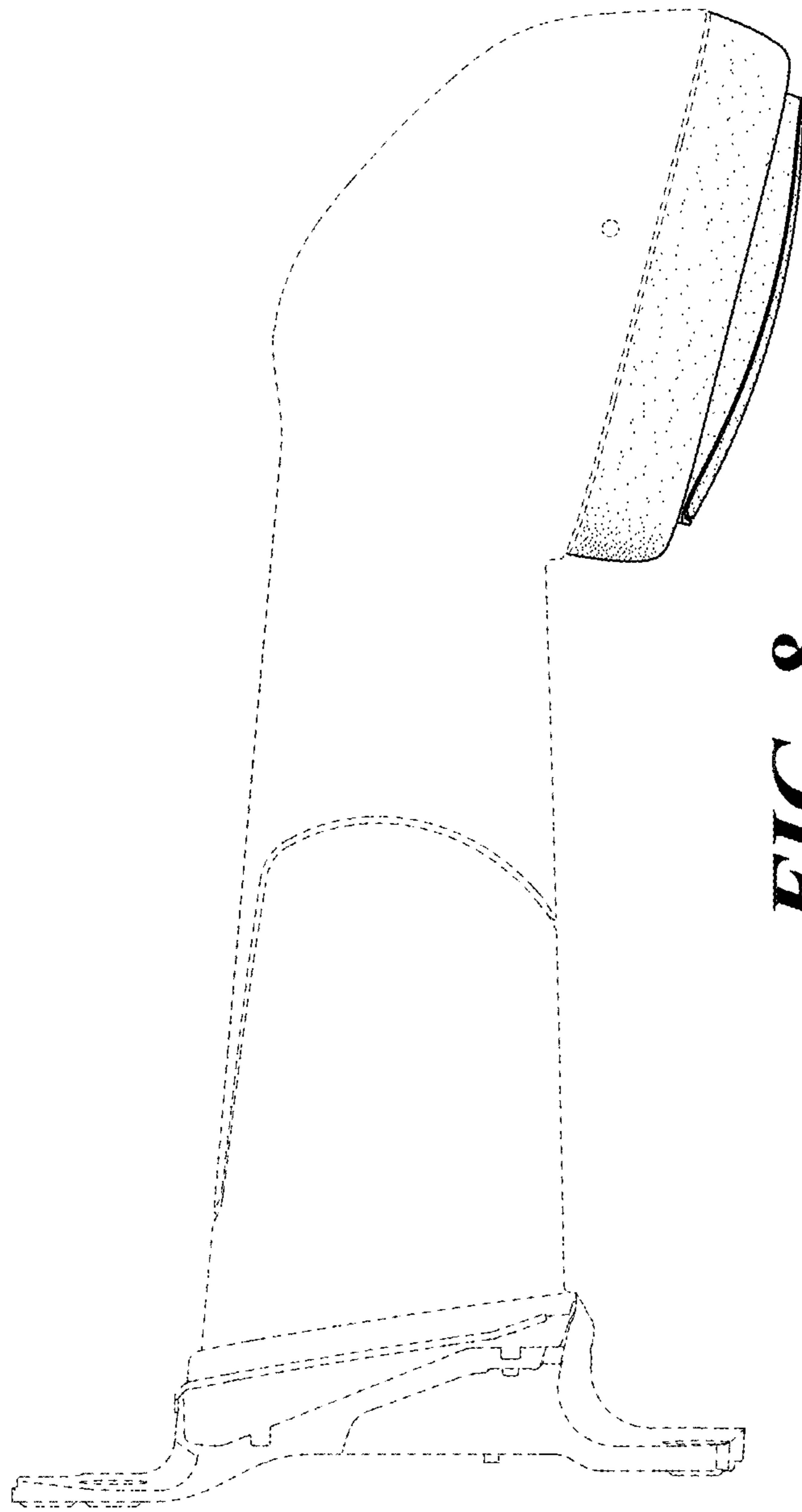


**FIG. 6**

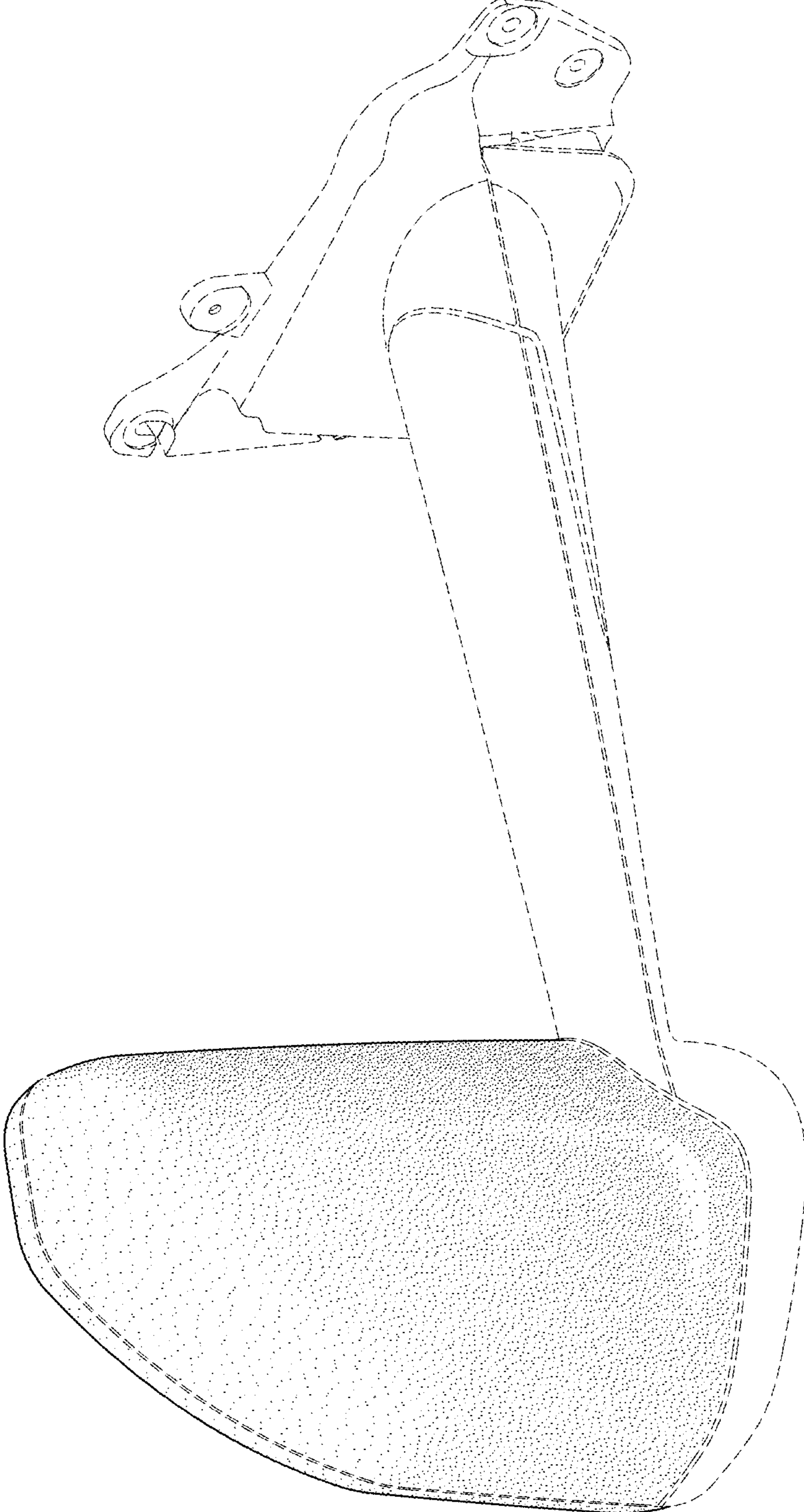




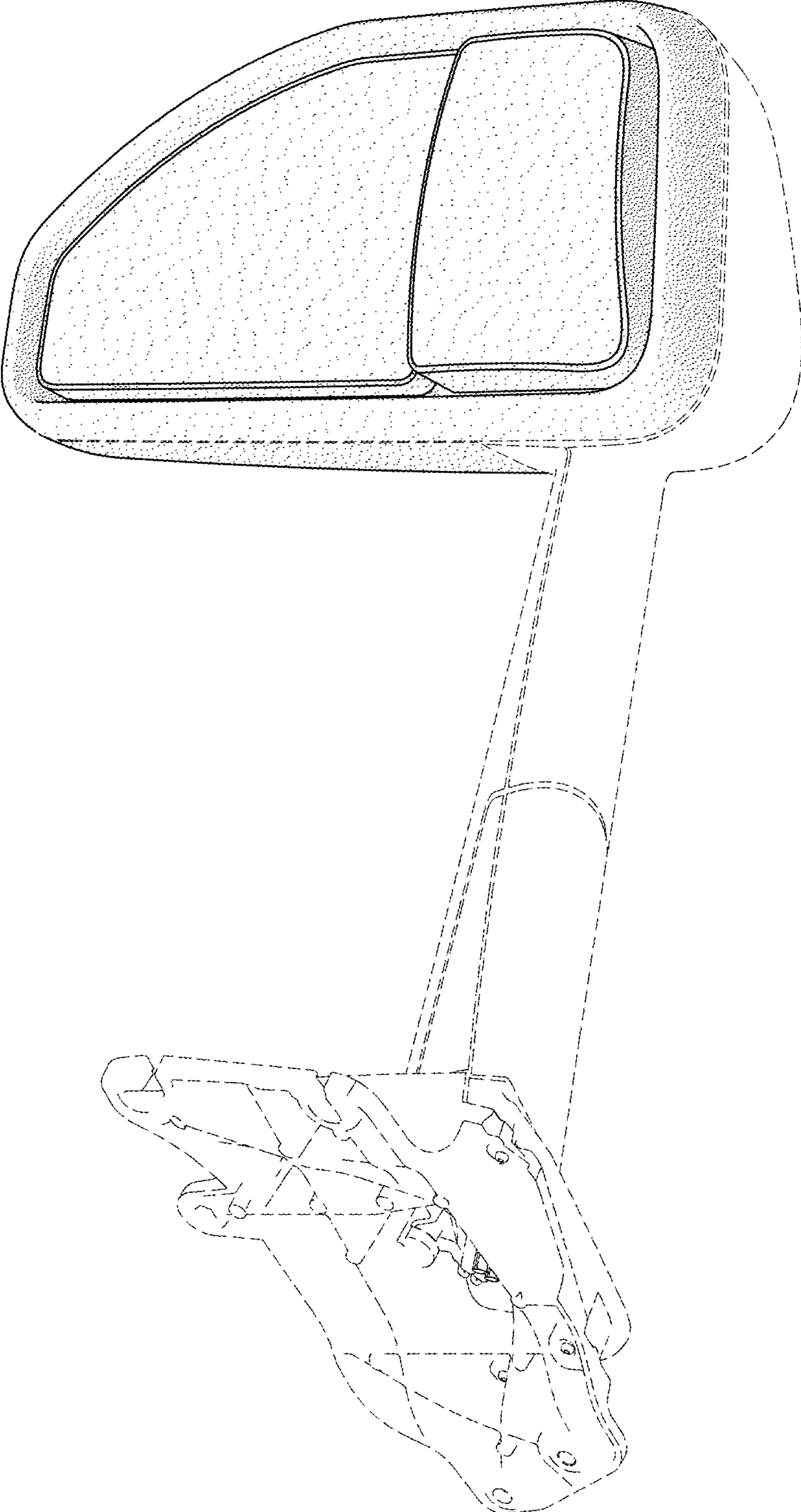
**FIG. 7**



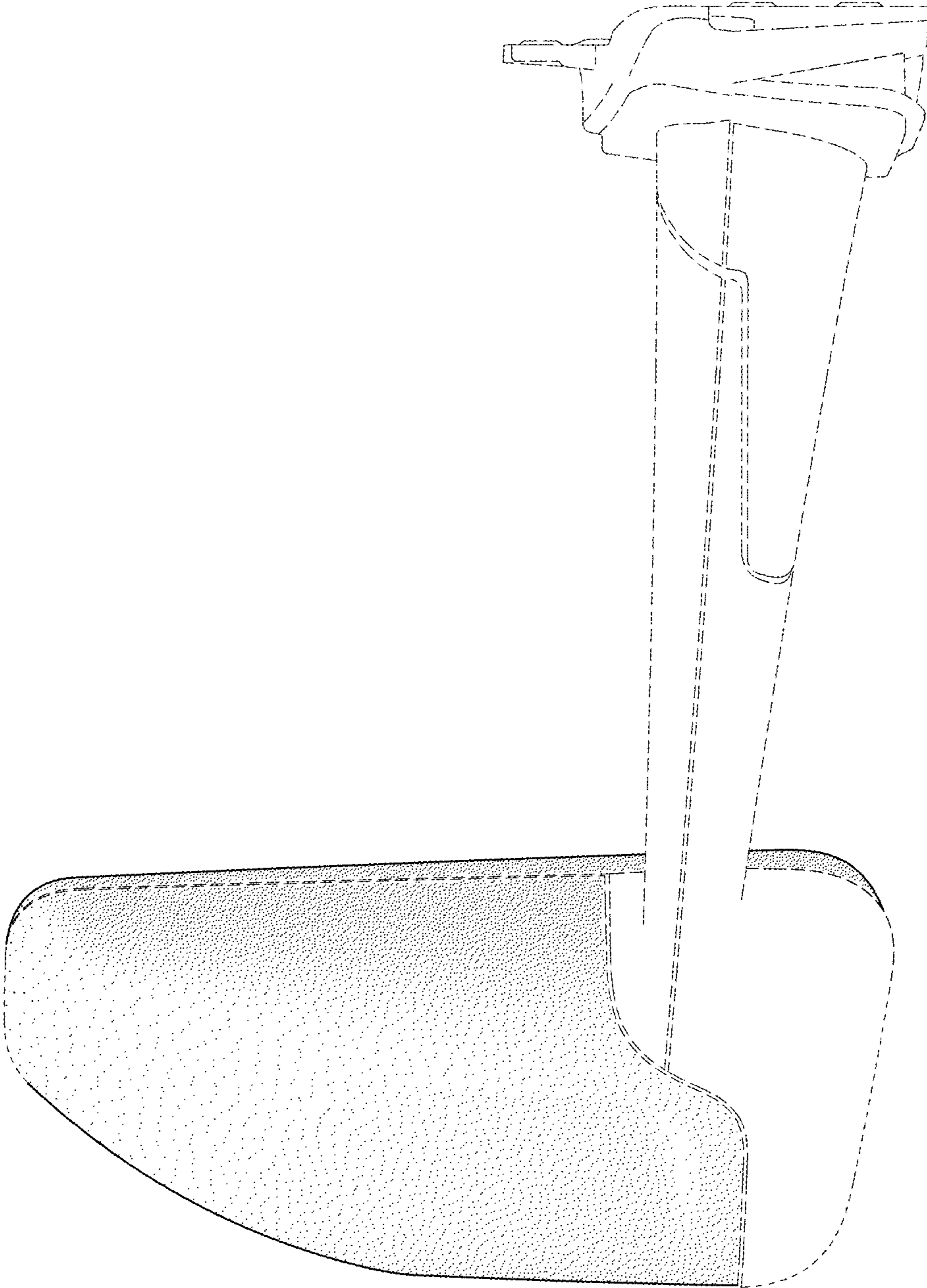
**FIG. 8**



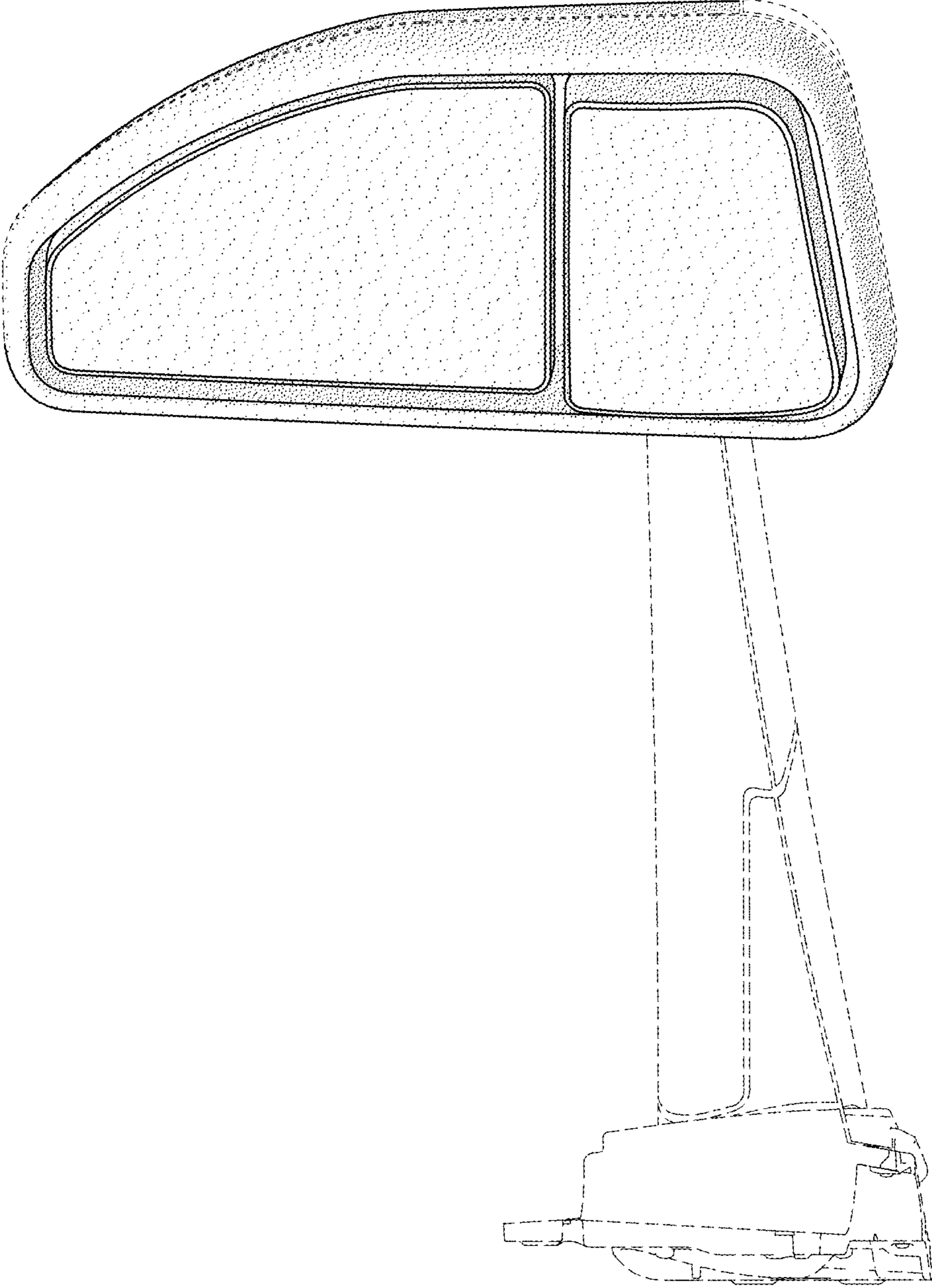
**FIG. 9**



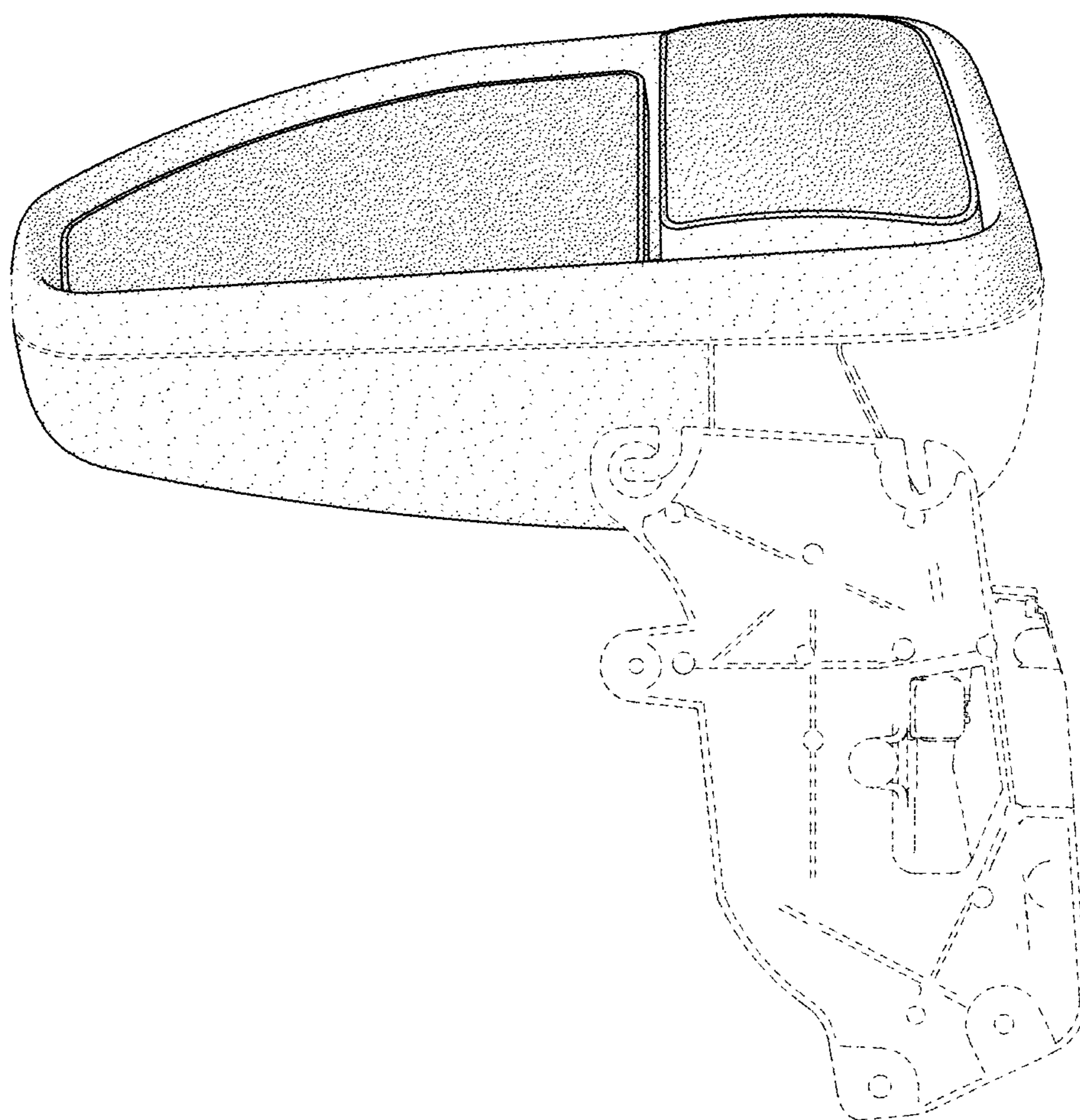
**FIG. 10**



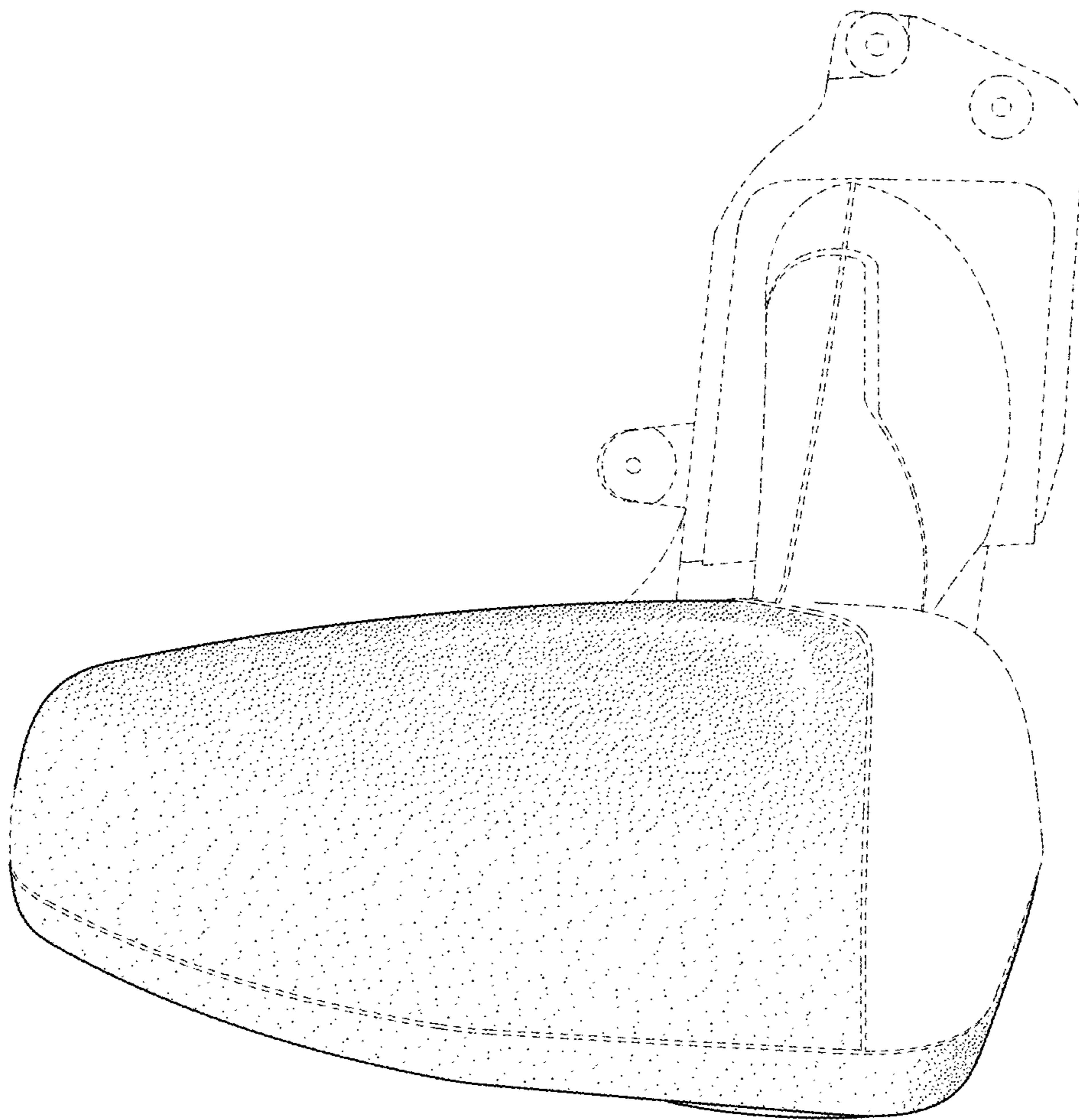
**FIG. 11**



**FIG. 12**

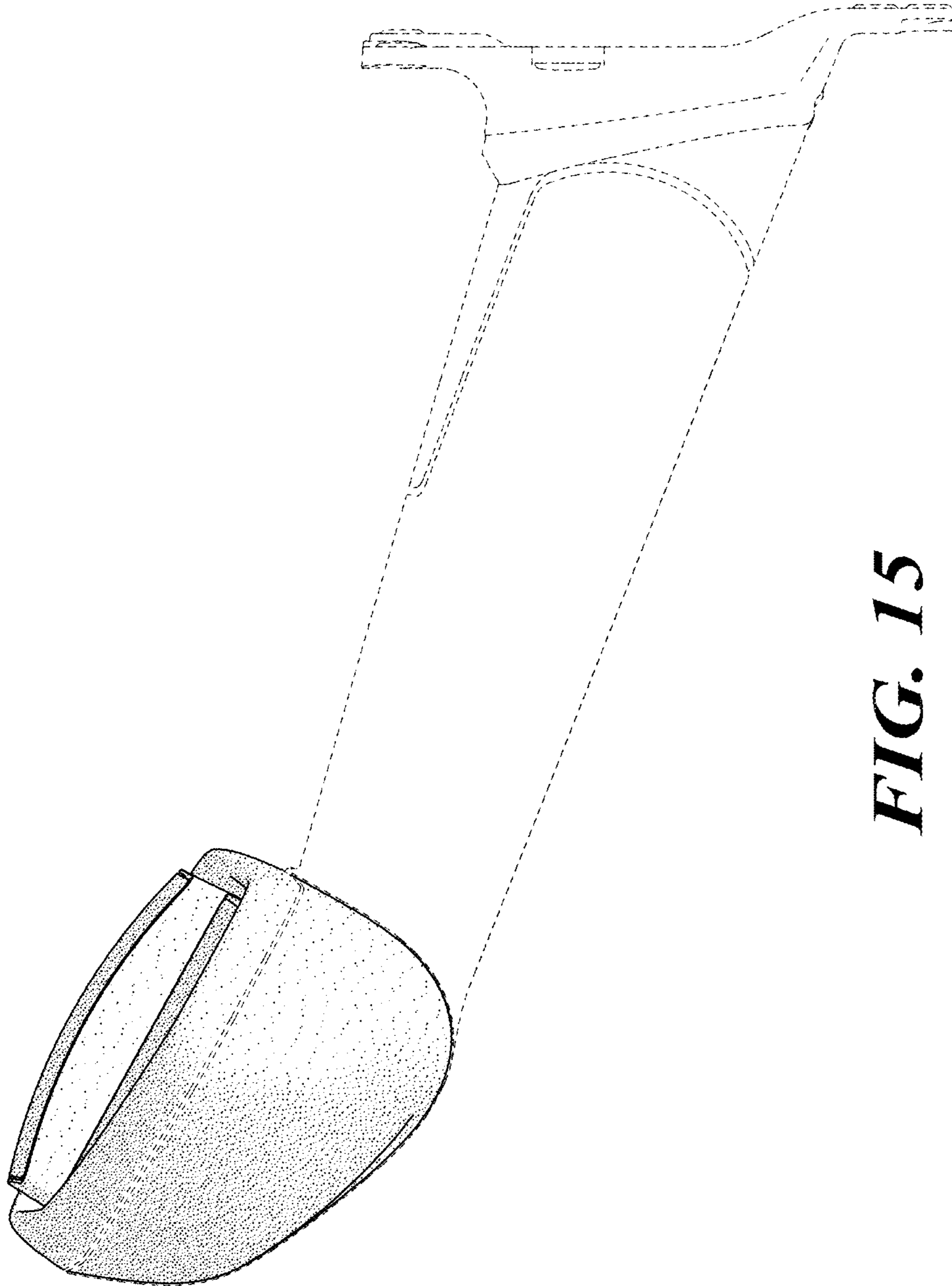


**FIG. 13**

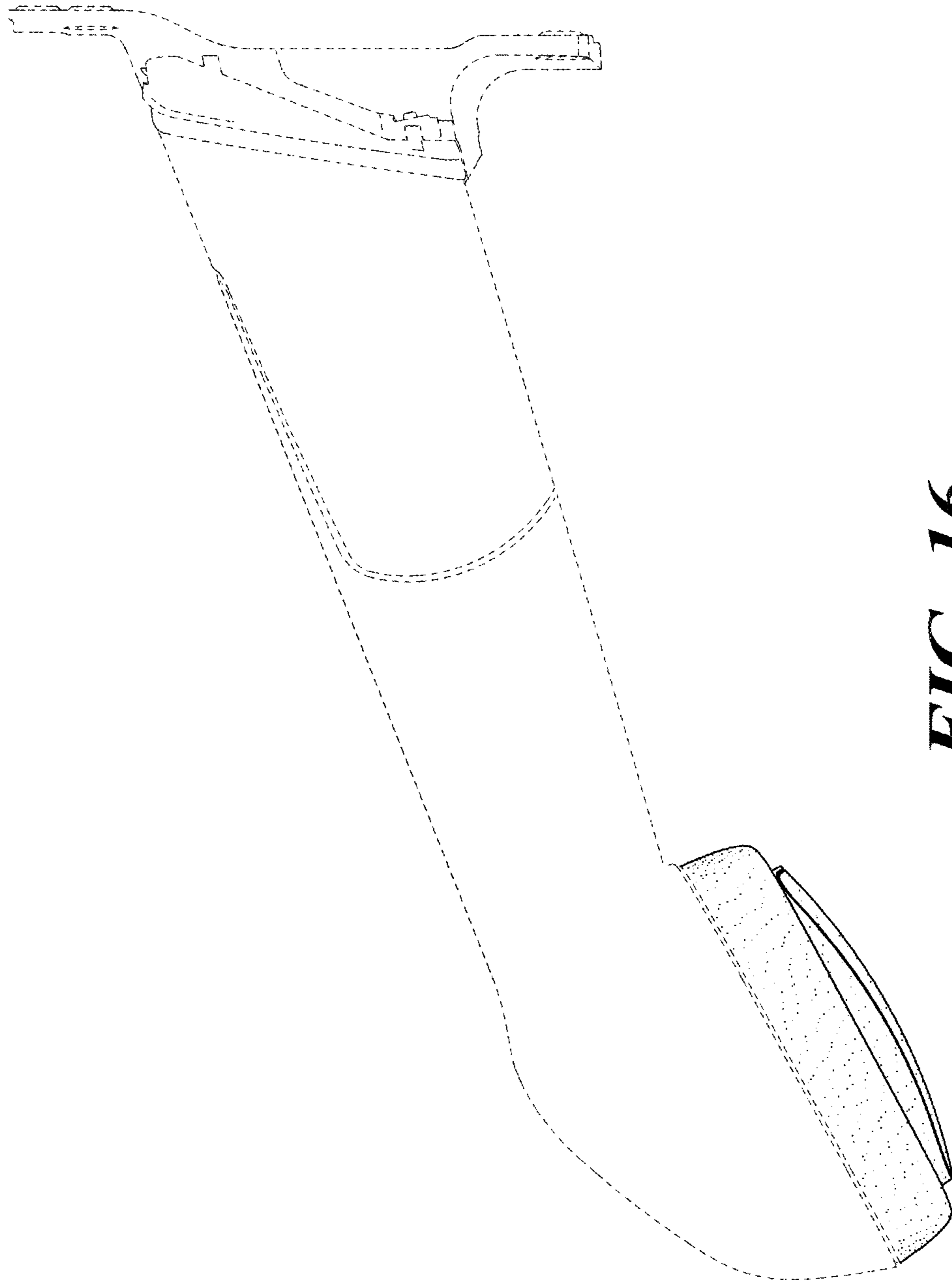


**FIG. 14**





**FIG. 15**



**FIG. 16**