



US00D955946S

(12) **United States Design Patent**
Kirkman et al.

(10) **Patent No.:** **US D955,946 S**
(45) **Date of Patent:** **** Jun. 28, 2022**

(54) **FENDER**

(71) Applicant: **Overkill Motorsports, Inc.**, Dallas, TX (US)

(72) Inventors: **Travis Kirkman**, Dallas, TX (US);
Mark Hanson, Dallas, TX (US)

(73) Assignee: **OVERKILL MOTORSPORTS, INC.**, Dallas, TX (US)

(**) Term: **15 Years**

(21) Appl. No.: **29/776,276**

(22) Filed: **Mar. 29, 2021**

Related U.S. Application Data

(63) Continuation of application No. 29/692,008, filed on May 21, 2019, now Pat. No. Des. 914,562.

(51) **LOC (13) Cl.** **12-16**

(52) **U.S. Cl.**
USPC **D12/184**

(58) **Field of Classification Search**
USPC D12/86, 88, 89, 90, 91, 92, 93, 101, 102, D12/106, 144, 163, 164, 167, 169, 171, D12/173, 181, 184, 185, 190, 192, 196, D12/400; D21/533, 548, 552, 561; D15/28
CPC B62D 25/02; B62D 25/04; B62D 25/16; B62D 25/18; B62D 25/161; B62D 25/168; B62D 25/182; B62D 25/184; B60J 5/00; B60J 5/02; B60J 5/04; B60J 5/10; B60R 13/04; B60R 13/0861; B60R 19/00

See application file for complete search history.

(56) **References Cited**

U.S. PATENT DOCUMENTS

D347,614 S * 6/1994 DeBaal D12/184
D391,520 S * 3/1998 Laster D12/91

D474,430 S * 5/2003 Hill D12/184
D482,992 S * 12/2003 Hattori D12/184
D508,446 S * 8/2005 Westenskow D12/186
D513,395 S * 1/2006 Pizzuti D12/91
D620,855 S * 8/2010 Waclawski D12/181
D623,103 S * 9/2010 Braga D12/181
D649,088 S * 11/2011 Hu D12/87
D652,358 S * 1/2012 Hodges D12/181
D688,611 S * 8/2013 Liao D12/190
D699,169 S * 2/2014 Waclawski D12/184
D712,324 S * 9/2014 McFarlin D12/181

(Continued)

OTHER PUBLICATIONS

Jeep JL Stealth Series By Road Armor, Published Aug. 10, 2018 [online], [retrieved on Jun. 27, 2021]. Retrieved from the Internet: <https://www.youtube.com/watch?v=QmQ24SwNf2Y> (Year: 2018).*

Primary Examiner — Cary M Robinson

Assistant Examiner — Adam C Mager

(74) *Attorney, Agent, or Firm* — Polsinelli PC

(57) **CLAIM**

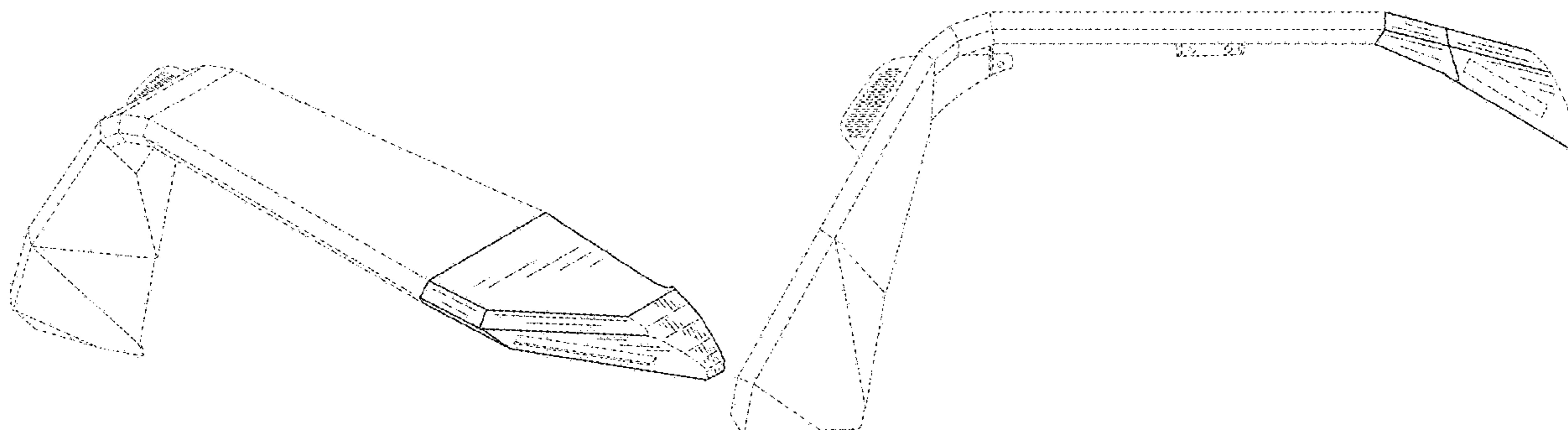
The ornamental design for a fender, as shown and described.

DESCRIPTION

FIG. 1 is a front, top, right side perspective view of a fender according to the new design;
FIG. 2 is a front, bottom, left side perspective view thereof;
FIG. 3 is a front side elevation view thereof;
FIG. 4 is a rear side elevation view thereof;
FIG. 5 is a right side elevation view thereof;
FIG. 6 is a left side elevation view thereof;
FIG. 7 is a top plan view thereof; and,
FIG. 8 is a bottom plan view thereof.

The broken line showing is for the purpose of illustrating portions of the fender that form no part of the claimed design.

1 Claim, 8 Drawing Sheets



(56)

References Cited

U.S. PATENT DOCUMENTS

D778,795	S *	2/2017	Johns	D12/184
D781,193	S *	3/2017	McMath	D12/196
D781,353	S *	3/2017	Underhill	D15/28
D785,523	S *	5/2017	McMath	D12/184
D810,626	S *	2/2018	Macey	D12/91
D811,266	S *	2/2018	Knox	D12/87
D814,372	S *	4/2018	Bennett	D12/184
D839,806	S *	2/2019	Chi	D12/184
D855,519	S *	8/2019	Bundy	D12/184
D856,878	S *	8/2019	Harriton	D12/184
D858,386	S *	9/2019	Wymore	D12/184
D861,561	S *	10/2019	Mallicote	D12/184
D863,159	S *	10/2019	Goodrich	D12/184
D875,006	S *	2/2020	DiCanzio	D12/184
D879,663	S *	3/2020	Barlow, Jr.	D12/87
D883,158	S *	5/2020	McMath	D12/184
D889,338	S *	7/2020	McMath	D12/184
D892,694	S *	8/2020	Li	D12/196
D898,640	S *	10/2020	Rose	D12/184
D901,348	S *	11/2020	Goodrich	D12/184
D904,256	S *	12/2020	Yao	D12/184
D907,551	S *	1/2021	McMath	D12/184
D911,893	S *	3/2021	Li	D12/184
D914,562	S *	3/2021	Kirkman	D12/184
2015/0239506	A1 *	8/2015	Gust	B23P 19/04 280/770
2016/0144902	A1 *	5/2016	Avalos Sartorio	B62D 25/18 280/848
2018/0272961	A1 *	9/2018	Gust	B60Q 1/32
2020/0108873	A1 *	4/2020	Mallicote	B60R 3/00

* cited by examiner

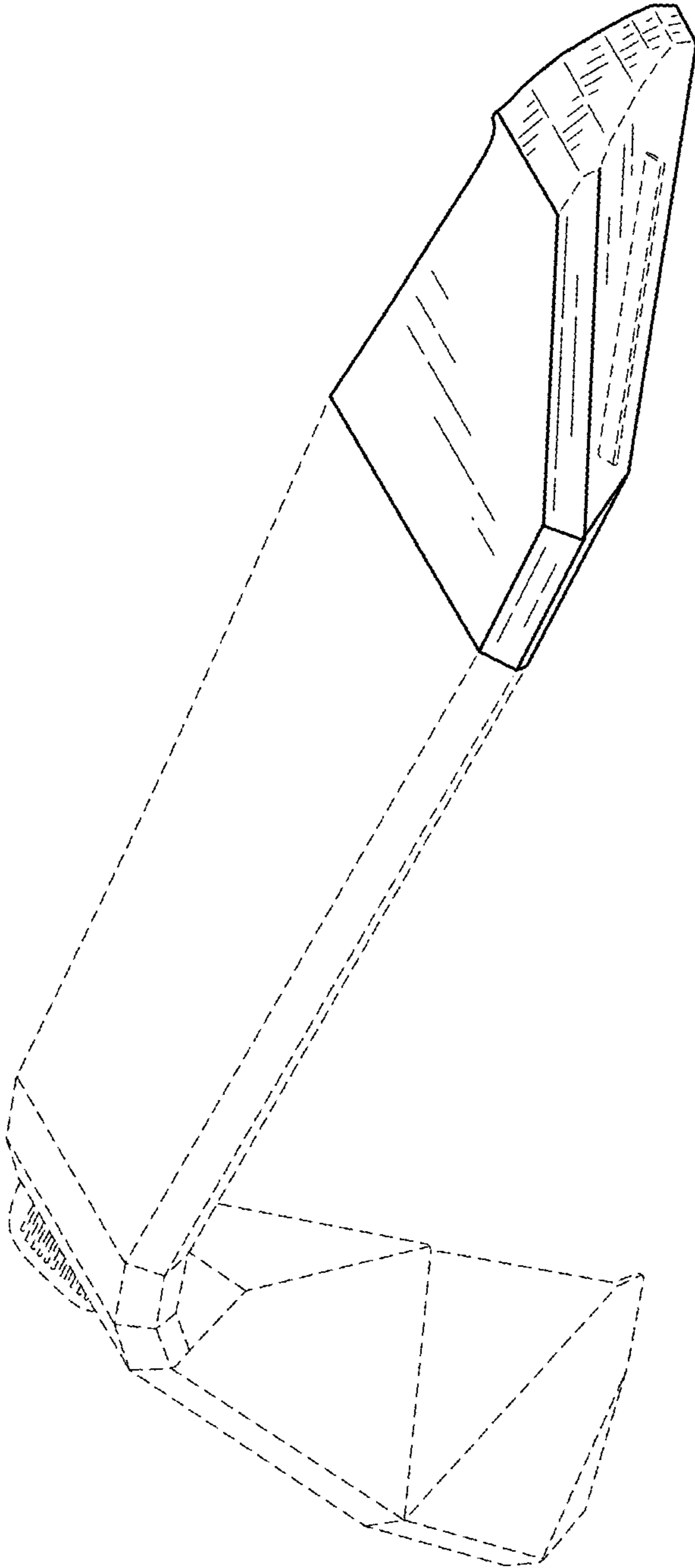


FIG.1

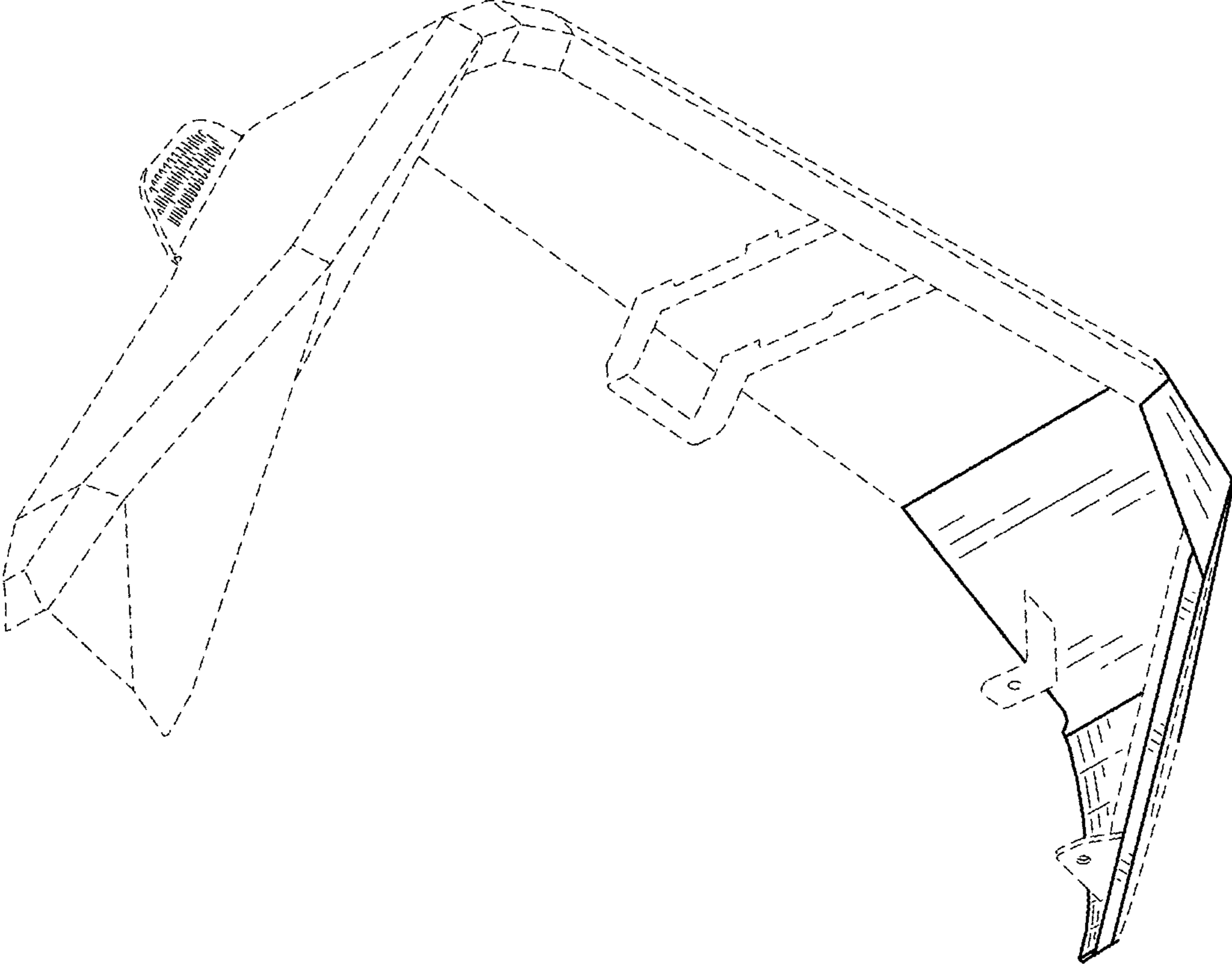


FIG.2

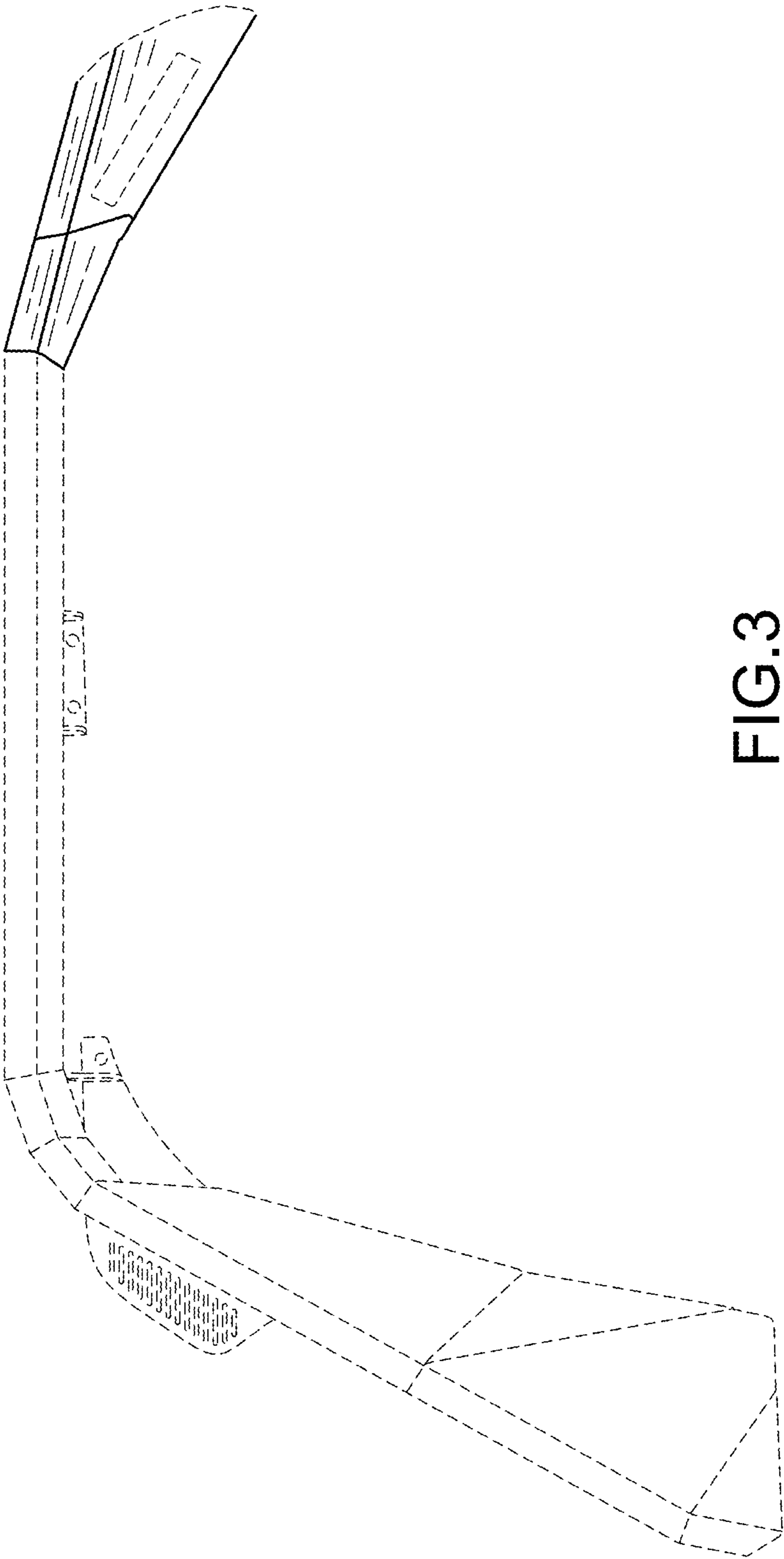


FIG.3

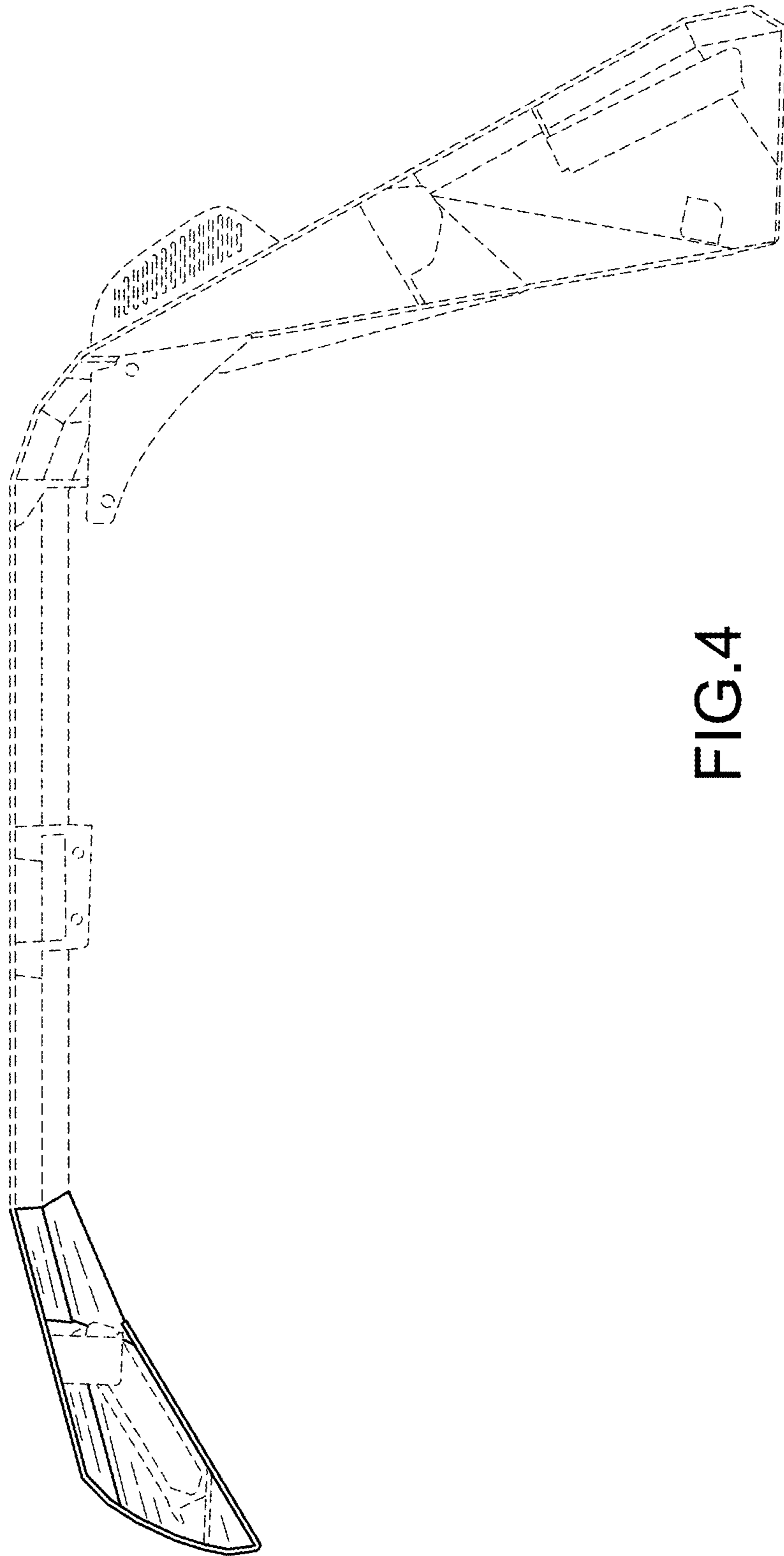


FIG.4

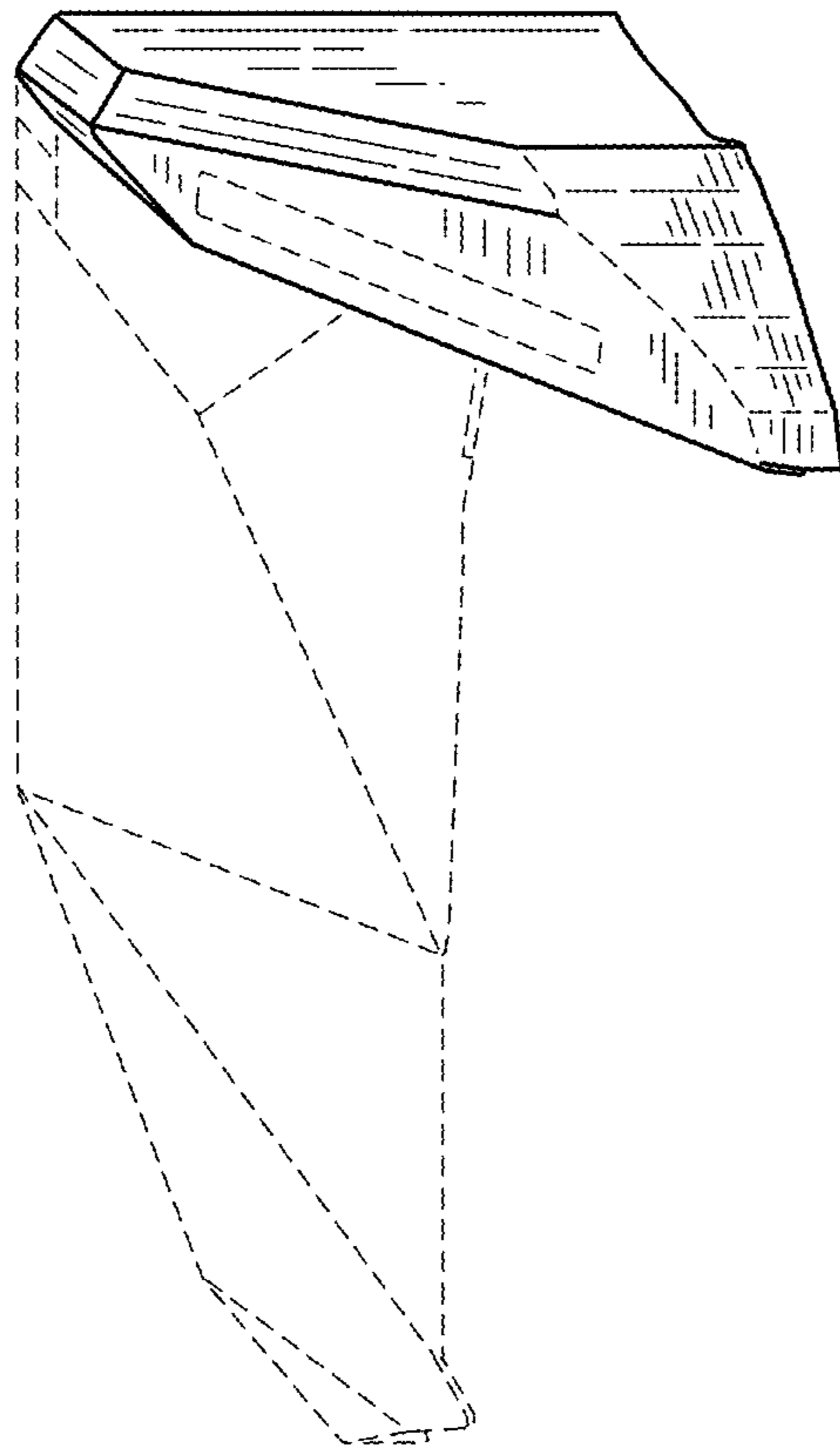


FIG.5

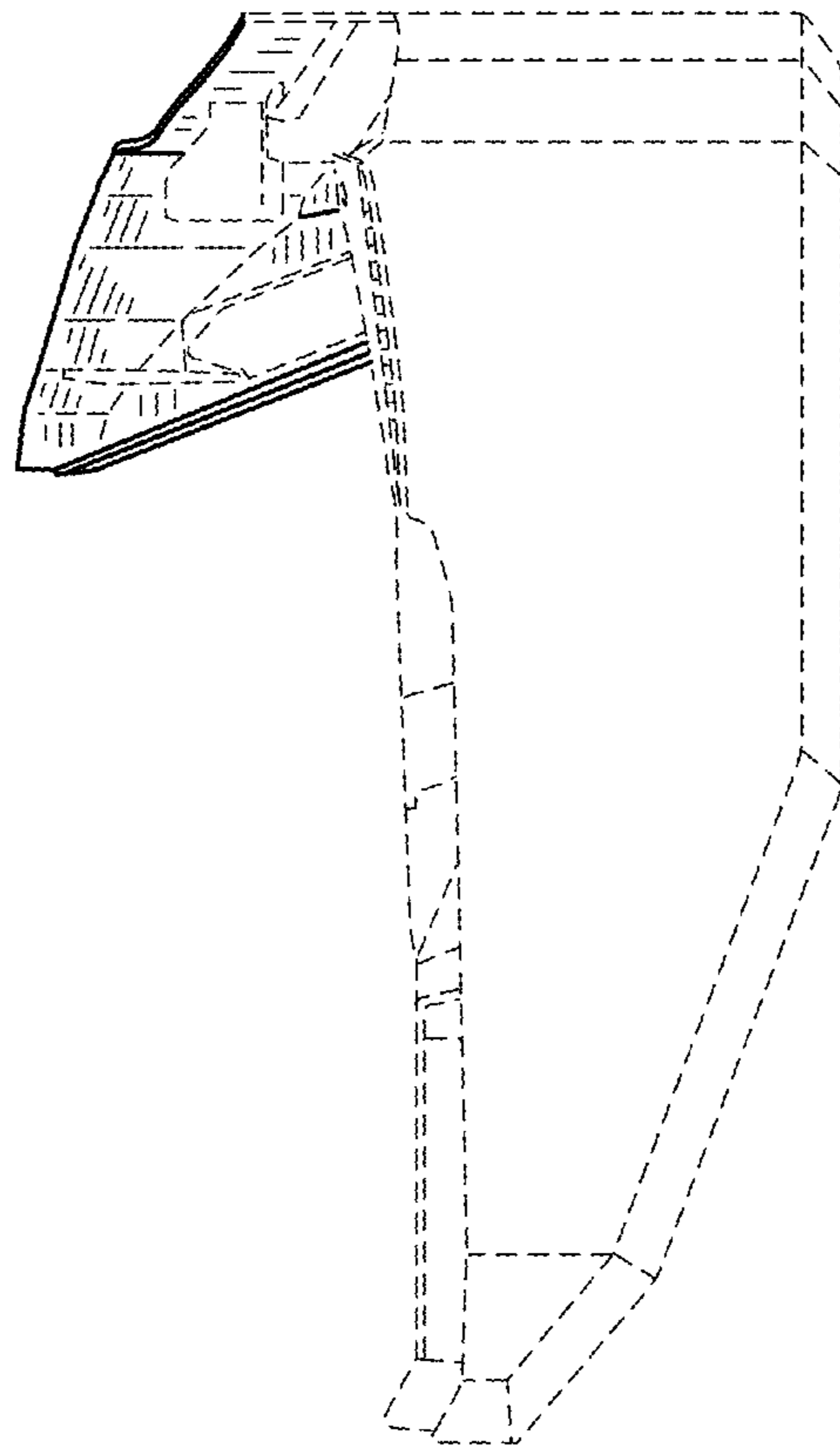


FIG.6

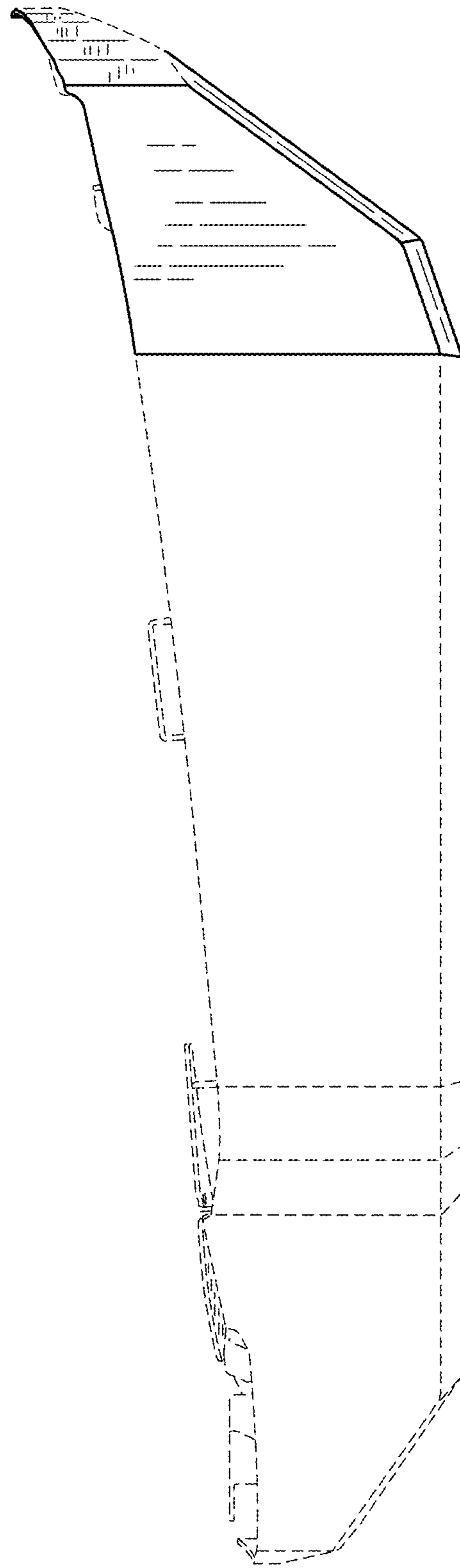


FIG.7

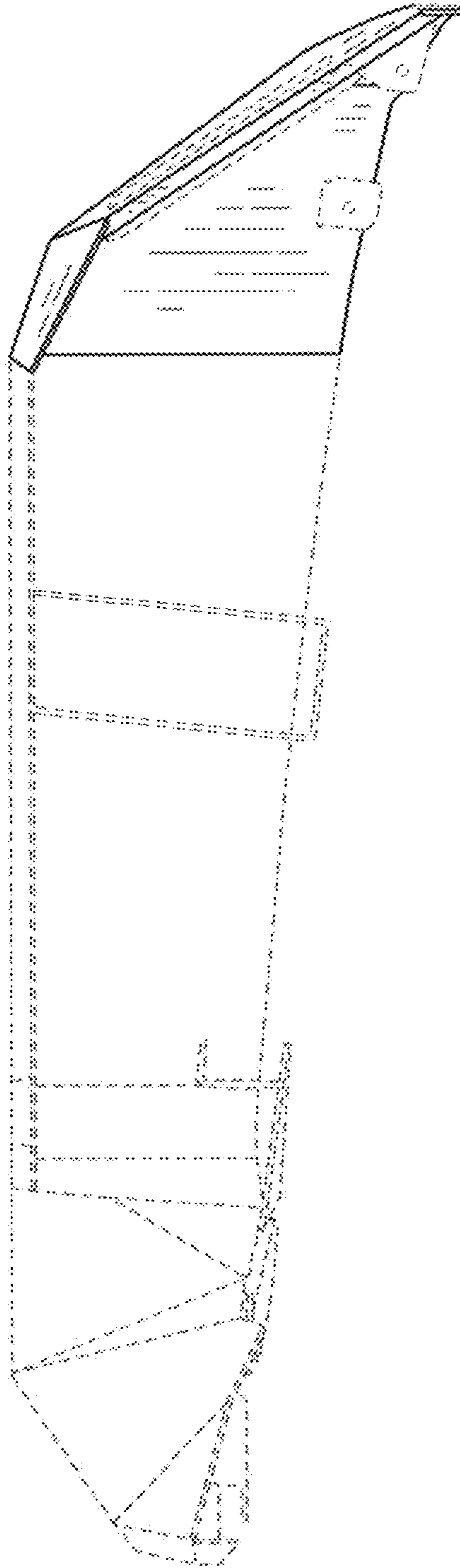


FIG.8